

LISTA DE APLICACIONES - BUYERS GUIDE

181622-703

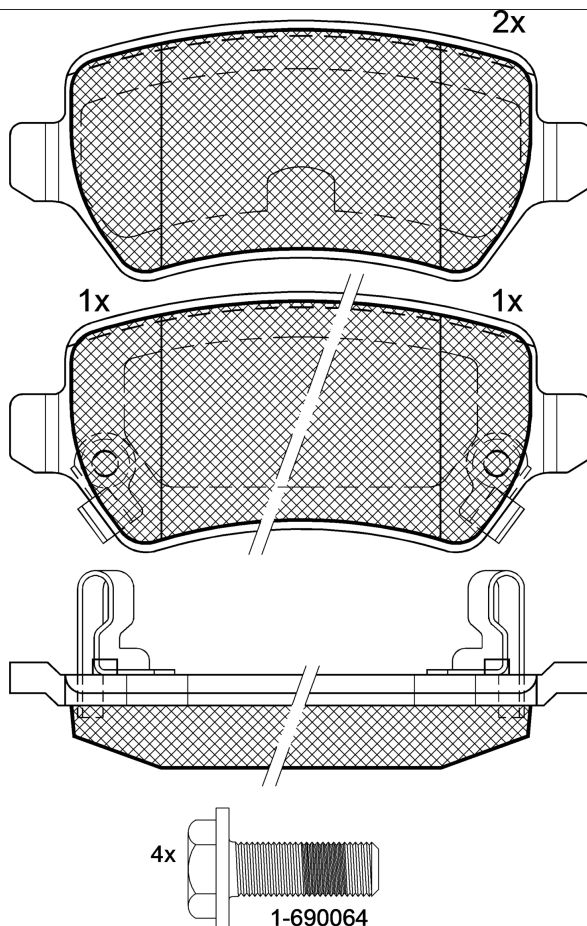


8 424073 088659

Qty: 944

Weight: 805

O.E.M.	MAKE
16 05 086	OPEL
16 05 625	OPEL
16 05 967	OPEL
1605995	OPEL
58302-1PA30	KIA
58302-A2A20	KIA
58302-A2A30	KIA
86 60 004 467	RENAULT
86 71 016 663	RENAULT
93 170 602	VAUXHALL
93 176 118	VAUXHALL
93169143	OPEL
93179164	OPEL
9319 3613	SATURN



181622-703

E 9 90R-01110/1231



Trw

95.4x42.6x15.2

WVA	FMSI
23415	D1362-8471
25780	D2054-9287
25781	
23416	
23417	

MAKE
CHEVROLET
HOLDEN
HYUNDAI
KIA
LADA
OPEL
SATURN
SUBARU
VAUXHALL



Trac.	CC	Kw	CV
-------	----	----	----



Front / Rear

CHEVROLET

ASTRA 09.94-12.11

Estate (Compact car-C Segment)

Model	Engine	Trac.	CC	Kw	CV	Period	Front / Rear
1.8 GLS	Gasolina	FWD	1796	81	110	08.02-12.11	■
2.0	Gasolina	FWD	1998	85	116	02.96-	■
2.0 (X 20 XEV)	Gasolina	FWD	1998	94	128	10.99-07.02	■
2.0 (C 20 SEL)	Gasolina	FWD	1998	100	136	08.02-07.05	■
2.2	Gasolina	FWD	2198	108	147	01.01-12.03	■

ASTRA 09.98-12.11

Hatchback (Compact car-C Segment)

Model	Engine	Trac.	CC	Kw	CV	Period	Front / Rear
1.8 (08, 48) (C 18 NE)	Gasolina	FWD	1796	81	110	09.98-12.11	■
1.8 (08, 48) (C 18 YE)	Gasolina	FWD	1796	81	110	09.98-12.11	■
1.8 (08, 48) (LC5(110CUL4))	Gasolina	FWD	1796	81	110	09.98-12.11	■
1.8	Gasolina	FWD	1796	92	125	08.02-06.05	■
1.8	Gasolina	FWD	1796	103	140	08.06-03.09	■
2.0 (C 20 SEJ)	Gasolina	FWD	1998	82	112	03.99-07.02	■
2.0	Gasolina	FWD	1998	84	114	09.03-	■
2.0 (LE4(122CUL4))	Gasolina	FWD	1998	85	116	08.02-12.11	■
2.0 (X 20 XEV)	Gasolina	FWD	1998	94	128	03.99-07.02	■
2.0 (08, 48) (L34(122CUL4))	Gasolina	FWD	1998	100	136	08.02-07.05	■
2.0 Flex	Gasolina	FWD	1998	103	140	04.09-	■
2.2 (Z 22 SE)	Gasolina	FWD	2198	108	147	08.00-08.04	■
2.4	Gasolina	FWD	2405	108	147	08.05-	■
1.7 Di (Y 17 DT)	Diesel	FWD	1686	55	75	08.00-08.03	■
2.0 DTI (LD1)	Diesel	FWD	1995	74	101	08.02-12.11	■

LISTA DE APLICACIONES - BUYERS GUIDE

ASTRA 10.98-12.11					Saloon (Compact car-C Segment)			
1.8 Flexfuel (C 18 NE)		Gasolina	FWD	1796	81	110	03.99-12.11	■
1.8 Flexfuel (C 18 YE)		Gasolina	FWD	1796	81	110	03.99-12.11	■
1.8 (2H9)		Gasolina	FWD	1796	92	125	08.02-06.05	■
1.8		Gasolina	FWD	1796	103	140	08.06-03.09	■
2.0 GL (LE4(122CUL4))		Gasolina	FWD	1998	82	112	10.98-07.02	■
2.0		Gasolina	FWD	1998	84	114	09.03-12.11	■
2.0 GL (LE4(122CUL4))		Gasolina	FWD	1998	85	116	08.02-12.11	■
2.0 GLS (X 20 XEV)		Gasolina	FWD	1998	94	128	03.99-07.02	■
2.0 GLS (69) (C 20 SEL)		Gasolina	FWD	1998	100	136	08.02-12.11	■
2.0 GLS (69) (L34(122CUL4))		Gasolina	FWD	1998	100	136	08.02-12.11	■
2.0 Flex		Gasolina	FWD	1998	103	140	04.09-12.11	■
2.2		Gasolina	FWD	2197	101	137	09.00-12.02	■
2.0 DI		Diesel	RWD	1995	61	83	01.99-07.03	■
2.0 DTi GLS (LD1)		Diesel	FWD	1995	74	101	08.02-12.11	■
COMBO 04.01-					Van (LCVs-N1 Segment)			
1.3 CDTi (Z 13 DTJ)	disc brak.rear axle	Gasolina	FWD	1248	55	75	10.06-10.12	■
1.4 (Z 14 EXP)	disc brak.rear axle	Gasolina	FWD	1364	66	90	10.06-10.12	■
CORSA 01.96-12.10					Estate (Supermini car-B Segment)			
1.6 GLS (35) (C 16 NE)		Gasolina	FWD	1598	68	92	08.97-07.02	■
1.6 GLS (35) (L01(98CUL4))		Gasolina	FWD	1598	68	92	08.97-07.02	■
1.7 D (2H7)		Diesel	FWD	1686	44	60	08.00-07.02	■
CORSA 03.94-12.10					Hatchback (Supermini car-B Segment)			
1.6 GLS (08, 68) (C 16 NE)		Gasolina	FWD	1598	68	92	08.94-07.02	■
1.6 GLS (08, 68) (L01(98CUL4))		Gasolina	FWD	1598	68	92	08.94-07.02	■
1.7 D		Diesel	RWD	1686	44	60	08.00-07.02	■
CORSA 08.94-12.10					Pickup (Supermini car-B Segment)			
1.6 (80) (C 16 NE)	vehicles with ABS	Gasolina	FWD	1598	68	92	08.94-07.02	■
1.6 (80) (L01(98CUL4))	vehicles with ABS	Gasolina	FWD	1598	68	92	08.94-07.02	■
CORSA 03.94-12.10					Saloon (Supermini car-B Segment)			
1.6 GLS (19) (B 16 NE)		Gasolina	FWD	1598	68	92	08.94-07.02	■
1.6 GLS (19) (L01(98CUL4))		Gasolina	FWD	1598	68	92	08.94-07.02	■
1.6 GS (L91)		Gasolina	FWD	1598	75	102	08.97-07.02	■
1.7 D (2H7)		Diesel	FWD	1686	44	60	08.00-07.02	■
MERIVA 02.02-07.12					MPV (Mini MPV-M1 Segment)			
1.4		Gasolina	FWD	1389	73	99	07.07-07.12	■
1.4 Flex		Gasolina	FWD	1389	77	105	07.07-07.12	■
1.4 Flex		Gasolina	FWD	1398	73	99	09.08-07.12	■
1.8		Gasolina	FWD	1796	75	102	02.02-	■
1.8 Flex		Gasolina	FWD	1796	77	105	11.03-08.05	■
1.8		Gasolina	FWD	1796	78	106	01.04-07.12	■
1.8		Gasolina	FWD	1796	82	111	03.03-07.12	■
1.8 (75) (L79(110CUL4))		Gasolina	FWD	1796	90	122	03.03-02.06	■
1.8		Gasolina	FWD	1796	92	125	05.03-05.08	■
1.8 Joy Flexpower(75) (LMD(110CUL4))		Gasol./Etanol	FWD	1796	81	109	11.03-08.05	■
1.8 Flex (75)		Gasol./Etanol	FWD	1796	84	114	09.05-07.12	■
1.7 D		Diesel	RWD	1686	55	75	08.02-01.08	■

LISTA DE APLICACIONES - BUYERS GUIDE

VIVA 09.03-03.08					Saloon (Compact car-C Segment)			
1.8		Gasolina	FWD	1796	90	122	09.03-03.08	■
1.8 (2H9)		Gasolina	FWD	1796	92	125	09.03-03.08	■
ZAFIRA II 07.05-					MPV (Compact MPV-M1 Segment)			
2.2 (Z 22 YH)		Gasolina	FWD	2198	110	150	07.05-	■
ZAFIRA / NABIRA (F75) 02.99-12.12					MPV (Compact MPV-M1 Segment)			
1.8 (C 18 YE)		Gasolina	FWD	1796	81	110	02.99-07.01	■
1.8		Gasolina	FWD	1796	92	125	07.00-06.05	■
2.0 (LE4(122CUL4))		Gasolina	FWD	1998	85	116	04.01-07.04	■
2.0 (X 20 XE)		Gasolina	FWD	1998	89	121	08.04-12.12	■
2.0 Flexpower		Gasolina	FWD	1998	94	128	08.04-07.05	■
2.0 (C 20 SEL)		Gasolina	FWD	1998	100	136	04.01-07.12	■
2.0 (L34(122CUL4))		Gasolina	FWD	1998	100	136	04.01-07.12	■
2.2		Gasolina	FWD	2198	91	124	04.01-07.04	■
2.2 (Z 22 SE)		Gasolina	FWD	2198	108	147	09.01-12.05	■
2.2 (Z 22 SE)		Gasolina	FWD	2198	110	150	09.01-12.05	■
2.2 (Z 22 YH)		Gasolina	FWD	2198	110	150	09.05-12.06	■
2.0 Flex (LMC(122CUL4))		Gasol./Etanol	FWD	1998	103	140	02.09-03.12	■
HOLDEN								
ASTRA (TS) 02.01-12.06					Convertible (Compact car-C Segment)			
2.0 i Turbo		Gasolina	FWD	1998	147	200	06.02-07.04	■
ASTRA (LB, LC) 08.84-07.87					Hatchback (Compact car-C Segment)			
1.8 TS CD 5D 10"	01/98-	Gasolina	FWD	1795			08.84-	■
1.8 TS CD 5D 11" ABS	01/98-	Gasolina	FWD	1795			08.84-	■
1.8 i		Gasolina	FWD	1796	85	116	02.98-08.00	■
1.8 i	01/01-	Gasolina	FWD	1796	92	125	09.00-10.04	■
2.0 i Turbo		Gasolina	FWD	1998	147	200	05.03-07.04	■
2.2 i	01/01-	Gasolina	FWD	2198	108	147	09.00-07.04	■
ASTRA (TS) 02.98-10.05					Saloon (Compact car-C Segment)			
1.8 i		Gasolina	FWD	1796	85	116	02.98-08.00	■
1.8 i	01/01-	Gasolina	FWD	1796	92	125	09.00-10.04	■
BARINA (XC) 09.00-12.05					Hatchback (Supermini car-B Segment)			
1.4 Efi		Gasolina	FWD	1364	66	90	01.04-02.05	■
COMBO (XC) 08.01-					Van (LCVs-N1 Segment)			
1.4 i	disc brak.rear axle	Gasolina	FWD	1364	66	90	04.05-12.12	■
1.6 i	disc brak.rear axle	Gasolina	FWD	1598	62	84	09.02-04.05	■
ZAFIRA (TT) 07.00-02.06					MPV (Compact MPV-M1 Segment)			
2.2 i		Gasolina	FWD	2198	108	147	06.01-02.06	■
HYUNDAI								
ix20 (JC) 11.10-					Hatchback (Mini MPV-M1 Segment)			
1.2		Gasolina	FWD	1197	59	80	11.10-	■
1.4 (G4FA)		Gasolina	FWD	1396	66	90	11.10-07.19	■
1.4 (G4FA)		Gasolina	FWD	1396	74	100	11.10-07.19	■
1.6 (G4FC)		Gasolina	FWD	1591	92	125	11.10-07.19	■
1.4 CRDi (D4FC)		Diesel	FWD	1396	57	78	06.11-07.19	■
1.4 CRDi (D4FC)		Diesel	FWD	1396	66	90	11.10-07.19	■

LISTA DE APLICACIONES - BUYERS GUIDE

1.6 CRDI (D4FB)		Diesel	FWD	1582	85	116	06.11-07.19	■
KIA								
CEE'D II (JD) 05.12-						Hatchback (Compact car-C Segment)		
1.0 T-GDI (G3LC)	not elec.brak.detent	Gasolina	FWD	998	74	100	07.15-07.18	■
1.0 T-GDI (G3LC)	not elec.brak.detent	Gasolina	FWD	998	88	120	07.15-07.18	■
1.4 MPI (G4LC)	not elec.brak.detent	Gasolina	FWD	1368	74	101	04.15-07.18	■
1.4 CVVT (G4FA)	03/13-, not elec.brak.detent	Gasolina	FWD	1396	66	90	05.12-07.18	■
1.4 CVVT (G4FA)	03/13-, not elec.brak.detent	Gasolina	FWD	1396	73	100	05.12-07.18	■
1.6 CVVT (G4FC)	not elec.brak.detent	Gasolina	FWD	1591	95	130	01.13-07.18	■
1.6 CVVT (G4FC)	not elec.brak.detent	Gasolina	FWD	1591	96	131	11.14-07.18	■
1.6 GDI (G4FD)	not elec.brak.detent	Gasolina	FWD	1591	99	135	05.12-07.18	■
1.6 GT (G4FJ)	not elec.brak.detent	Gasolina	FWD	1591	150	204	06.13-07.18	■
1.4 LPG	not elec.brak.detent	Gasol./Gas (LPG)	FWD	1396	72	98	05.12-07.18	■
1.4 CRDi 90 (D4FC)	03/13-, not elec.brak.detent	Diesel	FWD	1396	66	90	05.12-07.18	■
1.6 CRDi 90	03/13-	Diesel	FWD	1582	66	90	05.12-	■
1.6 CRDi 110 (D4FB)	03/13-, not elec.brak.detent	Diesel	FWD	1582	81	110	05.12-07.18	■
1.6 CRDi 128 (D4FB)	not elec.brak.detent	Diesel	FWD	1582	94	128	05.12-07.18	■
1.6 CRDi 136 (D4FB)	not elec.brak.detent	Diesel	FWD	1582	100	136	07.15-07.18	■
CEE'D II Combi Van (JD) 07.12-						Estate Van (Compact car-C Segment)		
1.0 T-GDI (G3LC)	not elec.brak.detent	Gasolina	FWD	998	74	101	04.15-07.18	■
1.0 T-GDI (G3LC)	not elec.brak.detent	Gasolina	FWD	998	88	120	04.15-07.18	■
1.4 CVVT (G4FA)	not elec.brak.detent	Gasolina	FWD	1396	73	100	04.15-07.18	■
1.6 GDI (G4FD)	not elec.brak.detent	Gasolina	FWD	1591	99	135	04.15-07.18	■
1.4 CRDi (D4FC)	not elec.brak.detent	Diesel	FWD	1396	66	90	04.15-07.18	■
1.6 CRDI (D4FB)	not elec.brak.detent	Diesel	FWD	1582	94	128	07.12-07.18	■
CEE'D II Sport Wagon (JD) 09.12-						Estate (Compact car-C Segment)		
1.0 T-GDI (G3LC)	not elec.brak.detent	Gasolina	FWD	998	74	100	07.15-07.18	■
1.0 T-GDI (G3LC)	not elec.brak.detent	Gasolina	FWD	998	88	120	07.15-07.18	■
1.4 MPI (G4LC)	not elec.brak.detent	Gasolina	FWD	1368	74	101	04.15-07.18	■
1.4 CVVT (G4FA)	03/13-, not elec.brak.detent	Gasolina	FWD	1396	73	100	09.12-07.15	■
1.6 CVVT (G4FC)	not elec.brak.detent	Gasolina	FWD	1591	95	130	11.14-07.18	■
1.6 CVVT (G4FC)	not elec.brak.detent	Gasolina	FWD	1591	96	131	11.14-07.18	■
1.6 GDI (G4FD)	not elec.brak.detent	Gasolina	FWD	1591	99	135	09.12-07.18	■
1.4 LPG (G4FA)	not elec.brak.detent	Gasol./Gas (LPG)	FWD	1396	72	98	01.13-07.18	■
1.4 CRDi 90 (D4FC)	03/13-, not elec.brak.detent	Diesel	FWD	1396	66	90	09.12-07.18	■
1.6 CRDi 110 (D4FB)	not elec.brak.detent	Diesel	FWD	1582	81	110	03.13-07.18	■
1.6 CRDi 128 (D4FB)	not elec.brak.detent	Diesel	FWD	1582	94	128	09.12-07.15	■
1.6 CRDi 136 (D4FB)	not elec.brak.detent	Diesel	FWD	1582	100	136	07.15-07.18	■
CERATO III / FORTE III / K3 EURO (YD) 09.12-						Hatchback (Compact car-C Segment)		
2.0 DGI	not elec.brak.detent	Gasolina	FWD	1999	121	164	09.17-	■
2.0 DGI (G4NC)	not elec.brak.detent	Gasolina	FWD	1999	129	175	06.13-	■
PRO CEE'D II (JD) 03.12-						Hatchback Van (Compact car-C Segment)		
1.0 T-GDI		Gasolina	FWD	998	88	120	05.15-07.18	■
1.4 MPI		Gasolina	FWD	1368	74	101	05.15-07.18	■
1.4 CVVT (G4FA)	not elec.brak.detent	Gasolina	FWD	1396	73	99	05.12-07.18	■
1.6 GDI (G4FD)	not elec.brak.detent	Gasolina	FWD	1591	99	135	04.15-07.18	■
1.4 CRDi (D4FC)	not elec.brak.detent	Diesel	FWD	1396	66	90	05.15-07.18	■
1.6 CRDI (D4FB)	not elec.brak.detent	Diesel	FWD	1582	94	128	10.12-07.18	■

LISTA DE APLICACIONES - BUYERS GUIDE

1.6 CRDI		Diesel	FWD	1582	100	136	05.15-07.18	■	
PRO CEE'D II (JD) 03.13-					Hatchback (Compact car-C Segment)				
1.0 T-GDI (G3LC)	not elec.brak.detent	Gasolina	FWD	998	74	100	07.15-07.18	■	
1.0 T-GDI (G3LC)	not elec.brak.detent	Gasolina	FWD	998	88	120	07.15-07.18	■	
1.4 MPI		Gasolina	FWD	1368	73	100	07.13-07.18	■	
1.4 MPI (G4LC)	not elec.brak.detent	Gasolina	FWD	1368	74	101	04.15-07.18	■	
1.4 CVVT (G4FA)	not elec.brak.detent	Gasolina	FWD	1396	73	100	03.13-07.15	■	
1.4 CVVT (G4FA)	not elec.brak.detent	Gasolina	FWD	1396	74	101	07.13-07.18	■	
1.6 CVVT (G4FC)	not elec.brak.detent	Gasolina	FWD	1591	95	130	03.13-07.18	■	
1.6 GDI (G4FD)	not elec.brak.detent	Gasolina	FWD	1591	99	135	03.13-07.18	■	
1.6 GT (G4FJ)	not elec.brak.detent	Gasolina	FWD	1591	150	204	06.13-07.18	■	
1.4 CRDi 90 (D4FC)	not elec.brak.detent	Diesel	FWD	1396	66	90	03.13-07.18	■	
1.6 CRDi 110 (D4FB)	not elec.brak.detent	Diesel	FWD	1582	81	110	03.13-07.18	■	
1.6 CRDi 128 (D4FB)	not elec.brak.detent	Diesel	FWD	1582	94	128	03.13-07.15	■	
1.6 CRDi 136 (D4FB)	not elec.brak.detent	Diesel	FWD	1582	100	136	07.15-07.18	■	
VENGA (YN) 02.10-					Hatchback Van (LCVs-N1 Segment)				
CVVT (G4FA)		Gasolina	FWD	1396	66	90	04.15-	■	
CVVT (G4FC)		Gasolina	FWD	1591	92	125	02.15-	■	
CRDi (D4FC)		Diesel	FWD	1396	57	77	04.15-	■	
CRDi (D4FC)		Diesel	FWD	1396	66	90	04.15-	■	
VENGA (YN) 02.10-					Hatchback (Mini MPV-M1 Segment)				
1.4 CVVT (G4FA)		Gasolina	FWD	1396	66	90	02.10-03.19	■	
1.6 CVVT (G4FC)		Gasolina	FWD	1591	92	125	02.10-03.19	■	
1.4 LPG (G4FA)		Gasol./Gas (LPG)	FWD	1396	66	90	02.10-03.19	■	
1.4 CRDi 75 (D4FC)		Diesel	FWD	1396	55	75	02.10-03.19	■	
1.4 CRDi 75 (D4FC)		Diesel	FWD	1396	57	78	02.10-03.19	■	
1.4 CRDi 90 (D4FC)		Diesel	FWD	1396	66	90	02.10-03.19	■	
1.6 CRDi 115 (D4FB)		Diesel	FWD	1582	85	116	02.10-03.19	■	
1.6 CRDi 128 (D4FB)		Diesel	FWD	1582	94	128	02.10-03.19	■	
LADA									
KALINA (1119) 10.04-12.13					Hatchback (Supermini car-B Segment)				
1.4 16V LPG (11194)	01/10-	Gasol./Gas (LPG)	FWD	1390	65	88	11.08-12.13	■	
OPEL									
ASTRA F CLASSIC (T92) 01.98-01.05					Estate (Compact car-C Segment)				
1.4 Comfort		Gasolina	FWD	1364	66	90	09.03-01.05	■	
ASTRA G (T98) 03.01-10.05					Convertible (Compact car-C Segment)				
1.6 16V (F67) (Z 16 XE)	-12/04	Gasolina	FWD	1598	74	101	03.01-10.05	■	
1.6 (F67) (Z 16 XEP)	-12/04	Gasolina	FWD	1598	76	103	01.03-10.05	■	
1.8 16V (F67) (Z 18 XE)	-12/04	Gasolina	FWD	1796	92	125	03.01-10.05	■	
2.0 OPC (F67) (Z 20 LET)	-12/04	Gasolina	FWD	1998	141	192	03.02-10.05	■	
2.0 16V Turbo (F67) (Z 20 LET)	-12/04	Gasolina	FWD	1998	147	200	11.02-10.05	■	
2.2 16V (F67) (Z 22 SE)	-12/04	Gasolina	FWD	2198	108	147	03.01-10.05	■	
2.2 DTI (F67) (Y 22 DTR)	-12/04	Diesel	FWD	2172	92	125	09.02-10.05	■	
ASTRA G (T98) 03.00-06.06					Coupe (Compact car-C Segment)				
1.6 16V (F07) (Z 16 XE)		Gasolina	FWD	1598	74	101	03.00-05.05	■	
1.6 16V (F07) (Z 16 XEP)	01/03-	Gasolina	FWD	1598	76	103	03.00-05.05	■	
1.8 16V (F07) (X 18 XE1)		Gasolina	FWD	1796	85	116	03.00-10.00	■	

LISTA DE APLICACIONES - BUYERS GUIDE

1.8 16V (F07) (Z 18 XE)	01/01-	Gasolina	FWD	1796	92	125	09.00-05.05	■	
2.0 16V Turbo (F07) (Z 20 LET)		Gasolina	FWD	1998	140	190	09.00-08.01	■	
2.0 16V Turbo (F07) (Z 20 LET)	-12/04	Gasolina	FWD	1998	141	192	08.01-05.05	■	
2.0 16V Turbo (F07) (Z 20 LET)	-12/04	Gasolina	FWD	1998	147	200	11.02-05.05	■	
2.2 16V (F07) (Z 22 SE)	01/01-	Gasolina	FWD	2198	108	147	09.00-05.05	■	
2.2 DTI (F07) (Y 22 DTR)	-12/04	Diesel	FWD	2172	92	125	09.02-05.05	■	
ASTRA G (F70) 09.98-04.05							Estate Van (Compact car-C Segment)		
1.2 (F70) (X 12 XE)	disc brak.rear axle	Gasolina	FWD	1199	48	65	09.98-08.00	■	
1.4 (F70) (X 14 XE)	disc brak.rear axle	Gasolina	FWD	1389	66	90	09.98-04.05	■	
1.4 (F70) (Z 14 XE)	disc brak.rear axle	Gasolina	FWD	1389	66	90	09.98-04.05	■	
1.4 ABS	01/01-	Gasolina	FWD	1395	65	89	09.98-	■	
1.6 Manual ABS	01/01-	Gasolina	FWD	1595	74	100	09.98-	■	
1.6 (F70) (X 16 SZR)	disc brak.rear axle	Gasolina	FWD	1598	55	75	01.99-09.00	■	
1.6 (F70) (Z 16 SE)	01/01-, disc brak.rear axle	Gasolina	FWD	1598	62	84	09.00-04.05	■	
1.6 (F70) (C 16 SEL)	disc brak.rear axle	Gasolina	FWD	1598	74	101	09.98-01.04	■	
1.6 (F70) (Z 16 XE)	disc brak.rear axle	Gasolina	FWD	1598	74	101	09.98-01.04	■	
1.6 (F70) (Z 16 XEP)	disc brak.rear axle	Gasolina	FWD	1598	76	103	02.04-11.04	■	
1.6 LPG (F70)		Gasol./Gas (LPG)	FWD	1598	62	84	12.00-04.05	■	
1.7 DTI 16V (F70) (Y 17 DT)	disc brak.rear axle	Diesel	FWD	1686	55	75	02.00-04.05	■	
1.7 CDTi (F70) (Z 17 DTL)	disc brak.rear axle	Diesel	FWD	1686	59	80	07.03-11.04	■	
1.7 TD (F70) (X 17 DTL)	01/01-, disc brak.rear axle	Diesel	FWD	1699	50	68	01.99-04.05	■	
2.0 DI (F70) (X 20 DTL)	01/01-, disc brak.rear axle	Diesel	FWD	1995	60	82	01.99-04.05	■	
2.0 DI (F70) (Y 20 DTL)	01/01-, disc brak.rear axle	Diesel	FWD	1995	60	82	01.99-04.05	■	
2.0 DTI (F70) (Y 20 DTH)	disc brak.rear axle	Diesel	FWD	1995	74	101	09.00-04.05	■	
ASTRA G (T98) 02.98-07.05							Estate (Compact car-C Segment)		
1.2 16V (F35) (X 12 XE)	disc brak.rear axle	Gasolina	FWD	1199	48	65	02.98-09.00	■	
1.2 16V (F35) (Z 12 XE)	disc brak.rear axle	Gasolina	FWD	1199	55	75	09.00-07.04	■	
1.4 16V (F35) (X 14 XE)	01/01-, disc brak.rear axle	Gasolina	FWD	1389	66	90	06.98-07.04	■	
1.4 16V (F35) (Z 14 XE)	01/01-, disc brak.rear axle	Gasolina	FWD	1389	66	90	06.98-07.04	■	
1.6 (F35) (X 16 SZR)	disc brak.rear axle	Gasolina	FWD	1598	55	75	02.98-09.00	■	
1.6 (F35) (Z 16 SE)	01/01-, disc brak.rear axle	Gasolina	FWD	1598	62	84	09.00-07.04	■	
1.6 16V (F35) (X 16 XEL)	01/01-, disc brak.rear axle	Gasolina	FWD	1598	74	101	02.98-07.04	■	
1.6 16V (F35) (Z 16 XE)	01/01-, disc brak.rear axle	Gasolina	FWD	1598	74	101	02.98-07.04	■	
1.6 (F35) (Z 16 XEP)	disc brak.rear axle	Gasolina	FWD	1598	76	103	12.02-05.04	■	
1.8		Gasolina	FWD	1796	81	110	02.03-07.04	■	
1.8 16V (F35) (X 18 XE1)	disc brak.rear axle	Gasolina	FWD	1796	85	116	02.98-09.00	■	
1.8 16V (F35) (Z 18 XE)	01/01-	Gasolina	FWD	1796	92	125	09.00-07.04	■	
2.0 16V (F35) (X 20 XEV)	disc brak.rear axle	Gasolina	FWD	1998	100	136	02.98-07.04	■	
2.0 OPC (F35) (Z 20 LET)		Gasolina	FWD	1998	141	192	09.02-07.04	■	
2.0 OPC (F35) (Z 20 LET)		Gasolina	FWD	1998	147	200	11.02-07.04	■	
2.2 16V (F35) (Z 22 SE)		Gasolina	FWD	2198	108	147	03.01-07.04	■	
1.4 LPG (F35) (X 14 XE)	disc brak.rear axle	Gasol./Gas (LPG)	FWD	1389	66	90	03.98-07.04	■	
1.4 LPG (F35) (Z 14 XE)	disc brak.rear axle	Gasol./Gas (LPG)	FWD	1389	66	90	03.98-07.04	■	
1.6 LPG (F35)		Gasol./Gas (LPG)	FWD	1598	62	84	09.00-07.04	■	
1.6 LPG (F35) (X 16 XEL)	disc brak.rear axle	Gasol./Gas (LPG)	FWD	1598	74	101	03.98-07.04	■	
1.6 LPG (F35) (Z 16 XE)	disc brak.rear axle	Gasol./Gas (LPG)	FWD	1598	74	101	03.98-07.04	■	
1.6 LPG (F35) (Z 16 XEP)	disc brak.rear axle	Gasol./Gas (LPG)	FWD	1598	76	103	06.02-07.04	■	

LISTA DE APLICACIONES - BUYERS GUIDE

1.6 CNG (F35) (Z 16 YNG)	disc brak.rear axle	Gasol./Gas (CNG)	FWD	1598	71	97	03.03-07.04	■	
1.7 DTI 16V (F35) (Y 17 DT)	01/01-, disc brak.rear axle	Diesel	FWD	1686	55	75	02.00-07.04	■	
1.7 CDTI (F35) (Z 17 DTL)	disc brak.rear axle	Diesel	FWD	1686	59	80	04.03-05.04	■	
1.7 TD (F35) (X 17 DTL)	disc brak.rear axle	Diesel	FWD	1699	50	68	02.98-08.00	■	
2.0 DI (F35) (X 20 DTL)	01/01-, disc brak.rear axle	Diesel	FWD	1995	60	82	02.98-07.04	■	
2.0 DI (F35) (Y 20 DTL)	01/01-, disc brak.rear axle	Diesel	FWD	1995	60	82	02.98-07.04	■	
2.0 DTI 16V (F35) (Y 20 DTH)	01/01-	Diesel	FWD	1995	74	101	08.99-07.04	■	
2.2 DTI (F35) (Y 22 DTR)	disc brak.rear axle	Diesel	FWD	2172	86	117	09.02-07.04	■	
2.2 DTI (F35) (Y 22 DTR)		Diesel	FWD	2172	92	125	09.02-07.04	■	
ASTRA G (T98) 02.98-12.09							Hatchback (Compact car-C Segment)		
1.2 16V (F08, F48) (X 12 XE)	01/00-, disc brak.rear axle	Gasolina	FWD	1199	48	65	02.98-09.00	■	
1.2 16V (F08, F48) (Z 12 XE)	-12/04, disc brak.rear axle	Gasolina	FWD	1199	55	75	09.00-01.05	■	
1.4 (F08, F48) (Z 14 XEP)	disc brak.rear axle	Gasolina	FWD	1364	66	90	09.07-12.09	■	
1.4 16V (F08, F48) (X 14 XE)	01/01-, disc brak.rear axle	Gasolina	FWD	1389	66	90	02.98-01.05	■	
1.4 16V (F08, F48) (Z 14 XE)	01/01-, disc brak.rear axle	Gasolina	FWD	1389	66	90	02.98-01.05	■	
1.6 (F08, F48) (X 16 SZR)	disc brak.rear axle	Gasolina	FWD	1598	55	75	02.98-09.00	■	
1.6 (F08, F48) (Z 16 SE)	01/01-, disc brak.rear axle	Gasolina	FWD	1598	62	84	09.00-01.05	■	
1.6		Gasolina	FWD	1598	70	95	06.02-03.04	■	
1.6 16V (F08, F48) (C 16 SEL)	01/01-, disc brak.rear axle	Gasolina	FWD	1598	74	101	02.98-01.05	■	
1.6 16V (F08, F48) (X 16 XEL)	01/01-, disc brak.rear axle	Gasolina	FWD	1598	74	101	02.98-01.05	■	
1.6 16V (F08, F48) (Z 16 XE)	01/01-, disc brak.rear axle	Gasolina	FWD	1598	74	101	02.98-01.05	■	
1.6 (F08, F48) (Z 16 XEP)	-12/04, disc brak.rear axle	Gasolina	FWD	1598	76	103	11.02-01.05	■	
1.8 (F08, F48)		Gasolina	FWD	1796	81	110	02.03-01.04	■	
1.8 16V (F08, F48) (X 18 XE1)	disc brak.rear axle	Gasolina	FWD	1796	85	116	02.98-09.00	■	
1.8 16V (F08, F48) (Z 18 XE)	01/01-	Gasolina	FWD	1796	92	125	09.00-01.05	■	
2.0 16V (F08, F48) (X 20 XEV)	disc brak.rear axle	Gasolina	FWD	1998	100	136	02.98-01.05	■	
2.0 16V OPC (F08, F48) (X 20 XER)		Gasolina	FWD	1998	118	160	11.99-09.02	■	
2.0 OPC (F08, F48) (Z 20 LET)	-12/04	Gasolina	FWD	1998	141	192	09.02-01.05	■	
2.0 OPC (F08, F48) (Z 20 LET)	-12/04	Gasolina	FWD	1998	147	200	11.02-01.05	■	
2.2 16V (F08, F48) (Z 22 SE)	-12/04	Gasolina	FWD	2198	108	147	06.00-01.05	■	
1.4 LPG (F08, F48) (X 14 XE)	disc brak.rear axle	Gasol./Gas (LPG)	FWD	1389	66	90	02.98-01.05	■	
1.4 LPG (F08, F48) (Z 14 XE)	disc brak.rear axle	Gasol./Gas (LPG)	FWD	1389	66	90	02.98-01.05	■	
1.6 LPG (F48)		Gasol./Gas (LPG)	FWD	1598	62	84	03.98-01.05	■	
1.6 LPG (F08, F48) (X 16 XEL)	disc brak.rear axle	Gasol./Gas (LPG)	FWD	1598	74	101	03.98-01.05	■	
1.6 LPG (F08, F48) (Z 16 XE)	disc brak.rear axle	Gasol./Gas (LPG)	FWD	1598	74	101	03.98-01.05	■	
1.6 LPG (F08, F48) (Z 16 XEP)	disc brak.rear axle	Gasol./Gas (LPG)	FWD	1598	76	103	11.02-06.07	■	
1.7 DTI 16V (F08, F48) (Y 17 DT)	01/01-, disc brak.rear axle	Diesel	FWD	1686	55	75	02.00-01.05	■	
1.7 CDTI (F08, F48) (Z 17 DTL)	-12/04, disc brak.rear axle	Diesel	FWD	1686	59	80	04.03-01.05	■	
1.7 TD (F08, F48) (X 17 DTL)	disc brak.rear axle	Diesel	FWD	1699	50	68	02.98-08.00	■	
2.0 DI (F08, F48) (X 20 DTL)	01/01-, disc brak.rear axle	Diesel	FWD	1995	60	82	02.98-01.05	■	
2.0 DI (F08, F48) (Y 20 DTL)	01/01-, disc brak.rear axle	Diesel	FWD	1995	60	82	02.98-01.05	■	
2.0 DTI 16V (F08, F48) (Y 20 DTH)	01/01-	Diesel	FWD	1995	74	101	08.99-01.05	■	
2.2 DTI (F08, F48) (Y 22 DTR)	disc brak.rear axle	Diesel	FWD	2172	86	117	09.02-01.05	■	
2.2 DTI (F08, F48) (Y 22 DTR)	-12/04	Diesel	FWD	2172	92	125	09.02-01.05	■	
ASTRA G (T98) 03.98-12.09							Saloon (Compact car-C Segment)		
1.2 16V (F69) (X 12 XE)	disc brak.rear axle	Gasolina	FWD	1199	48	65	09.98-09.00	■	
1.2 16V (F69) (Z 12 XE)	-12/04, disc brak.rear axle	Gasolina	FWD	1199	55	75	09.00-01.05	■	

LISTA DE APLICACIONES - BUYERS GUIDE

1.4 (F69) (Z 14 XEP)	disc brak.rear axle	Gasolina	FWD	1364	66	90	09.07-12.09	■
1.4 16V (F69) (X 14 XE)	01/01-, disc brak.rear axle	Gasolina	FWD	1389	66	90	09.98-01.05	■
1.4 16V (F69) (Z 14 XE)	01/01-, disc brak.rear axle	Gasolina	FWD	1389	66	90	09.98-01.05	■
1.6 (F69) (X 16 SZR)	disc brak.rear axle	Gasolina	FWD	1598	55	75	09.98-09.00	■
1.6 (F69) (Z 16 SE)	01/01-, disc brak.rear axle	Gasolina	FWD	1598	62	84	09.00-01.05	■
1.6 16V (F69) (X 16 XEL)	01/01-, disc brak.rear axle	Gasolina	FWD	1598	74	101	09.98-01.05	■
1.6 16V (F69) (Z 16 XE)	01/01-, disc brak.rear axle	Gasolina	FWD	1598	74	101	09.98-01.05	■
1.6 (F69) (Z 16 XEP)	-12/04, disc brak.rear axle	Gasolina	FWD	1598	76	103	12.02-12.09	■
1.8		Gasolina	FWD	1796	81	110	02.03-01.05	■
1.8 16V (F69) (X 18 XE1)	disc brak.rear axle	Gasolina	FWD	1796	85	116	09.98-09.00	■
1.8 16V (F69) (Z 18 XE)	01/01-	Gasolina	FWD	1796	92	125	06.00-01.05	■
2.0 16V (F69) (X 20 XEV)	disc brak.rear axle	Gasolina	FWD	1998	100	136	09.98-01.05	■
2.2 16V (F69) (Z 22 SE)	-12/04	Gasolina	FWD	2198	108	147	03.01-01.05	■
1.4 LPG (F69) (X 14 XE)	disc brak.rear axle	Gasol./Gas (LPG)	FWD	1389	66	90	03.98-01.05	■
1.4 LPG (F69) (Z 14 XE)	disc brak.rear axle	Gasol./Gas (LPG)	FWD	1389	66	90	03.98-01.05	■
1.6 LPG (F69)		Gasol./Gas (LPG)	FWD	1598	62	84	09.00-01.05	■
1.6 LPG (F69) (X 16 XEL)	disc brak.rear axle	Gasol./Gas (LPG)	FWD	1598	74	101	06.02-01.05	■
1.6 LPG (F69) (Z 16 XE)	disc brak.rear axle	Gasol./Gas (LPG)	FWD	1598	74	101	06.02-01.05	■
1.7 DTI 16V (F69) (Y 17 DT)	01/01-, disc brak.rear axle	Diesel	FWD	1686	55	75	02.00-01.05	■
1.7 CDTI (F69) (Z 17 DTL)	-12/04, disc brak.rear axle	Diesel	FWD	1686	59	80	04.03-12.09	■
1.7 TD (F69) (X 17 DTL)	disc brak.rear axle	Diesel	FWD	1699	50	68	09.98-08.00	■
2.0 DI (F69) (X 20 DTL)	01/01-, disc brak.rear axle	Diesel	FWD	1995	60	82	09.98-01.05	■
2.0 DI (F69) (Y 20 DTL)	01/01-, disc brak.rear axle	Diesel	FWD	1995	60	82	09.98-01.05	■
2.0 DTI 16V (F69) (Y 20 DTH)	01/01-	Diesel	FWD	1995	74	101	08.99-01.05	■
2.2 DTI (F69) (Y 22 DTR)	disc brak.rear axle	Diesel	FWD	2172	86	117	09.02-01.05	■
2.2 DTI (F69) (Y 22 DTR)	-12/04	Diesel	FWD	2172	92	125	09.02-01.05	■
ASTRA G CLASSIC (T98) 03.04-07.09							Hatchback (Compact car-C Segment)	
1.4 16V (F08, F48) (Z 14 XE)		Gasolina	FWD	1389	66	90	05.04-07.09	■
1.6 16V (F08, F48) (Z 16 XE)		Gasolina	FWD	1598	74	101	05.04-02.06	■
1.6 (F08, F48) (Z 16 XEP)		Gasolina	FWD	1598	76	103	03.06-06.08	■
1.7 CDTI (F08, F48) (Z 17 DTL)		Diesel	FWD	1686	59	80	06.04-07.09	■
ASTRA G CLASSIC (T98) 03.04-07.09							Saloon (Compact car-C Segment)	
1.4 16V (F69) (Z 14 XE)		Gasolina	FWD	1389	66	90	05.04-07.09	■
1.6 16V (F69) (Z 16 XE)		Gasolina	FWD	1598	74	101	03.04-01.08	■
ASTRA G CLASSIC Caravan (F35) 03.04-07.09							Estate (Compact car-C Segment)	
1.4 (F35) (Z 14 XEP)	disc brak.rear axle	Gasolina	FWD	1364	66	90	10.07-07.09	■
1.4 16V (Z 14 XE)		Gasolina	FWD	1389	66	90	07.04-09.07	■
1.6 (Z 16 XE)		Gasolina	FWD	1598	74	101	06.04-02.06	■
1.6 (Z 16 XEP)		Gasolina	FWD	1598	76	103	02.06-07.09	■
1.7 CDTi (Z 17 DTL)		Diesel	FWD	1686	59	80	05.04-07.09	■
ASTRA H (L70) 02.04-10.14							Estate Van (Compact car-C Segment)	
1.4 EcoTec (L70) (Z 14 XEP)	RimHo 5, disc brak.rear axle	Gasolina	FWD	1364	66	90	12.04-12.12	■
1.6 EcoTec (L70) (Z 16 XEP)	RimHo 5, disc brak.rear axle	Gasolina	FWD	1598	76	103	02.04-11.04	■
1.6 EcoTec (L70) (Z 16 XER)	RimHo 5, disc brak.rear axle	Gasolina	FWD	1598	85	116	10.06-12.10	■
1.3 CDTI (L70) (Z 13 DTH)	RimHo 5	Diesel	FWD	1248	66	90	08.05-10.10	■
1.7 CDTI (L70) (Z 17 DTL)	RimHo 5, disc brak.rear axle	Diesel	FWD	1686	59	80	12.04-07.07	■
1.7 CDTI (L70) (Z 17 DTH)	RimHo 5	Diesel	FWD	1686	74	101	03.04-10.10	■

LISTA DE APLICACIONES - BUYERS GUIDE

1.7 CDTI (L70) (A 17 DTJ)	RimHo 5	Diesel	FWD	1686	81	110	02.07-10.14	■	
1.7 CDTI (L70) (Z 17 DTJ)	RimHo 5	Diesel	FWD	1686	81	110	02.07-10.14	■	
1.7 CDTI (L70) (A 17 DTR)	RimHo 5	Diesel	FWD	1686	92	125	02.07-10.10	■	
1.7 CDTI (L70) (Z 17 DTR)	RimHo 5	Diesel	FWD	1686	92	125	02.07-10.10	■	
1.9 CDTI (L70) (Z 19 DTL)	RimHo 5, disc brak.rear axle	Diesel	FWD	1910	74	101	08.05-12.12	■	
1.9 CDTI (L70) (Z 19 DT)	RimHo 5	Diesel	FWD	1910	88	120	09.05-10.10	■	
1.9 CDTI 16V (L70) (Z 19 DTJ)	RimHo 5	Diesel	FWD	1910	88	120	08.04-10.10	■	
1.9 CDTI (L70) (Z 19 DTH)	RimHo 5	Diesel	FWD	1910	110	150	09.04-10.10	■	
ASTRA H (A04) 08.04-10.10							Estate (Compact car-C Segment)		
1.4 (L35) (Z 14 XEL)	RimHo 5, disc brak.rear axle	Gasolina	FWD	1364	55	75	08.04-10.10	■	
1.4 (L35) (Z 14 XEP)	-12/09, RimHo 5, disc brak.rear axle	Gasolina	FWD	1364	66	90	08.04-10.10	■	
1.6 CNG	-12/09	Gasolina	FWD	1598	69	94	11.05-	■	
1.6 (L35) (Z 16 XE1)	-12/09, RimHo 5, disc brak.rear axle	Gasolina	FWD	1598	77	105	08.04-10.10	■	
1.6 (L35) (Z 16 XEP)	-12/09, RimHo 5, disc brak.rear axle	Gasolina	FWD	1598	77	105	08.04-10.10	■	
1.6 (L35) (A 16 XER)	-12/09, RimHo 5, disc brak.rear axle	Gasolina	FWD	1598	85	116	11.06-10.10	■	
1.6 (L35) (Z 16 XER)	-12/09, RimHo 5, disc brak.rear axle	Gasolina	FWD	1598	85	116	11.06-10.10	■	
1.6 Turbo (L35) (A 16 LET)	-12/09, RimHo 5, disc brak.rear axle	Gasolina	FWD	1598	132	180	02.07-10.10	■	
1.6 Turbo (L35) (Z 16 LET)	-12/09, RimHo 5, disc brak.rear axle	Gasolina	FWD	1598	132	180	02.07-10.10	■	
1.8 (L35) (Z 18 XE)	-12/09, RimHo 5, disc brak.rear axle	Gasolina	FWD	1796	92	125	08.04-10.10	■	
1.8 (L35) (A 18 XER)	-12/09, RimHo 5, disc brak.rear axle	Gasolina	FWD	1796	103	140	11.05-10.10	■	
1.8 (L35) (Z 18 XER)	-12/09, RimHo 5, disc brak.rear axle	Gasolina	FWD	1796	103	140	11.05-10.10	■	
2.0 Turbo (L35) (Z 20 LEL)	-12/09, RimHo 5	Gasolina	FWD	1998	125	170	08.04-10.10	■	
2.0 Turbo (L35) (Z 20 LER)	-12/09, RimHo 5	Gasolina	FWD	1998	147	200	09.04-10.10	■	
1.4 LPG (L35) (Z 14 XEP)	-12/09, RimHo 5, disc brak.rear axle	Gasol./Gas (LPG)	FWD	1364	66	90	08.09-10.10	■	
1.6 LPG (L35) (Z 16 XER)	-12/09, RimHo 5, disc brak.rear axle	Gasol./Gas (LPG)	FWD	1598	85	116	08.09-10.10	■	
1.3 CDTI (L35) (Z 13 DTH)	-12/09, RimHo 5, disc brak.rear axle	Diesel	FWD	1248	66	90	08.05-10.10	■	
1.7 CDTI (L35) (Z 17 DTL)	-12/09, RimHo 5, disc brak.rear axle	Diesel	FWD	1686	59	80	08.04-10.10	■	
1.7 CDTI (L35) (Z 17 DTH)	-12/09, RimHo 5, disc brak.rear axle	Diesel	FWD	1686	74	101	08.04-10.10	■	
1.7 CDTI (L35) (A 17 DTJ)	-12/09, RimHo 5, disc brak.rear axle	Diesel	FWD	1686	81	110	12.08-10.10	■	
1.7 CDTI (L35) (Z 17 DTJ)	-12/09, RimHo 5, disc brak.rear axle	Diesel	FWD	1686	81	110	12.08-10.10	■	
1.7 CDTI (L35) (A 17 DTR)	-12/09, RimHo 5, disc brak.rear axle	Diesel	FWD	1686	92	125	04.07-10.10	■	
1.7 CDTI (L35) (Z 17 DTR)	-12/09, RimHo 5, disc brak.rear axle	Diesel	FWD	1686	92	125	04.07-10.10	■	
1.9 CDTI (L35) (Z 19 DTL)	-12/09, RimHo 5, disc brak.rear axle	Diesel	FWD	1910	74	100	09.05-10.10	■	
1.9 CDTI (L35) (Z 19 DT)	-12/09, RimHo 5, disc brak.rear axle	Diesel	FWD	1910	88	120	09.05-10.10	■	
1.9 CDTI 16V (L35) (Z 19 DTJ)	-12/09, RimHo 5, disc brak.rear axle	Diesel	FWD	1910	88	120	08.04-10.10	■	
1.9 CDTI	-12/09	Diesel	RWD	1910	103	140	12.04-	■	
1.9 CDTI (L35) (Z 19 DTH)	-12/09, RimHo 5, disc brak.rear axle	Diesel	FWD	1910	110	150	09.04-10.10	■	
ASTRA H (A04) 01.04-01.11							Hatchback (Compact car-C Segment)		
1.2	-12/09	Gasolina	FWD	1199	48	65	10.06-	■	
1.2 (L48) (Z 12 XEP)	-12/09, RimHo 5, disc brak.rear axle	Gasolina	FWD	1229	59	80	08.05-10.10	■	

LISTA DE APLICACIONES - BUYERS GUIDE

1.4 (L48) (Z 14 XEL)	RimHo 5, disc brak.rear axle	Gasolina	FWD	1364	55	75	04.04-10.04	■
1.4	RimHo 5, disc brak.rear axle	Gasolina	FWD	1364	59	80	04.04-10.04	■
1.4 (L48) (Z 14 XEP)	-12/09, RimHo 5, disc brak.rear axle	Gasolina	FWD	1364	66	90	03.04-10.10	■
1.6 CNG	-12/09	Gasolina	FWD	1598	69	94	11.05-	■
1.6 (L48) (Z 16 XE1)	-12/09, RimHo 5, disc brak.rear axle	Gasolina	FWD	1598	77	105	03.04-10.10	■
1.6 (L48) (Z 16 XEP)	-12/09, RimHo 5, disc brak.rear axle	Gasolina	FWD	1598	77	105	03.04-10.10	■
1.6 (L48) (A 16 XER)	-12/09, RimHo 5, disc brak.rear axle	Gasolina	FWD	1598	85	116	11.06-09.09	■
1.6 (L48) (Z 16 XER)	-12/09, RimHo 5, disc brak.rear axle	Gasolina	FWD	1598	85	116	11.06-09.09	■
1.6 Turbo (L48) (A 16 LET)	-12/09, RimHo 5, disc brak.rear axle	Gasolina	FWD	1598	132	180	02.07-10.10	■
1.6 Turbo (L48) (Z 16 LET)	-12/09, RimHo 5, disc brak.rear axle	Gasolina	FWD	1598	132	180	02.07-10.10	■
1.8 (L48) (Z 18 XE)	-12/09, RimHo 5, disc brak.rear axle	Gasolina	FWD	1796	92	125	01.04-10.10	■
1.8 (L48) (A 18 XER)	-12/09, RimHo 5, disc brak.rear axle	Gasolina	FWD	1796	103	140	01.06-10.10	■
1.8 (L48) (Z 18 XER)	-12/09, RimHo 5, disc brak.rear axle	Gasolina	FWD	1796	103	140	01.06-10.10	■
2.0 Turbo (L48) (Z 20 LEL)	-12/09, RimHo 5, disc brak.rear axle	Gasolina	FWD	1998	125	170	03.04-10.10	■
2.0 Turbo (L48) (Z 20 LER)	-12/09, RimHo 5	Gasolina	FWD	1998	147	200	09.04-10.10	■
2.0 Turbo (L48) (Z 20 LEH)	-12/09, RimHo 5	Gasolina	FWD	1998	177	240	03.05-10.10	■
1.4 LPG (L48) (Z 14 XEP)	RimHo 5, disc brak.rear axle	Gasol./Gas (LPG)	FWD	1364	66	90	08.09-10.10	■
1.3 CDTi (L48) (Z 13 DTH)	-12/09, RimHo 5, disc brak.rear axle	Diesel	FWD	1248	66	90	08.05-10.10	■
1.7 CDTi (L48) (Z 17 DTL)	-12/09, RimHo 5, disc brak.rear axle	Diesel	FWD	1686	59	80	03.04-10.10	■
1.7 CDTi (L48) (Z 17 DTH)	-12/09, RimHo 5, disc brak.rear axle	Diesel	FWD	1686	74	100	03.04-10.10	■
1.7 CDTi (L48) (A 17 DTJ)	-12/09, RimHo 5, disc brak.rear axle	Diesel	FWD	1686	81	110	04.07-09.09	■
1.7 CDTi (L48) (Z 17 DTJ)	-12/09, RimHo 5, disc brak.rear axle	Diesel	FWD	1686	81	110	04.07-09.09	■
1.7 CDTi (L48) (A 17 DTR)	-12/09, RimHo 5, disc brak.rear axle	Diesel	FWD	1686	92	125	04.07-09.09	■
1.7 CDTi (L48) (Z 17 DTR)	-12/09, RimHo 5, disc brak.rear axle	Diesel	FWD	1686	92	125	04.07-09.09	■
1.9 CDTi (L48) (Z 19 DTL)	-12/09, RimHo 5, disc brak.rear axle	Diesel	FWD	1910	74	100	09.05-10.10	■
1.9 CDTi (L48) (Z 19 DT)	-12/09, RimHo 5, disc brak.rear axle	Diesel	FWD	1910	88	120	06.04-10.10	■
1.9 CDTi 16V (L48) (Z 19 DTJ)	-12/09, RimHo 5, disc brak.rear axle	Diesel	FWD	1910	88	120	04.04-10.10	■
1.9 CDTi (L48) (Z 19 DTH)	-12/09, RimHo 5, disc brak.rear axle	Diesel	FWD	1910	110	150	09.04-10.10	■
ASTRA H (A04) 02.07-12.13				Saloon (Compact car-C Segment)				
1.4 (L69) (Z 14 XEP)	RimHo 5, disc brak.rear axle	Gasolina	FWD	1364	66	90	02.07-06.10	■
1.6 (L69) (Z 16 XEP)	RimHo 5, disc brak.rear axle	Gasolina	FWD	1598	77	105	02.07-06.10	■
1.6 (L69) (Z 16 XER)	-12/09, RimHo 5, disc brak.rear axle	Gasolina	FWD	1598	85	116	09.08-06.10	■
1.8 (L69) (A 18 XER)	-12/09, RimHo 5, disc brak.rear axle	Gasolina	FWD	1796	103	140	02.07-06.10	■
1.8 (L69) (Z 18 XER)	-12/09, RimHo 5, disc brak.rear axle	Gasolina	FWD	1796	103	140	02.07-06.10	■
1.3 CDTi (L69) (Z 13 DTH)	-12/09, RimHo 5, disc brak.rear axle	Diesel	FWD	1248	66	90	02.07-10.10	■
1.7 CDTi (L69) (Z 17 DTH)	-12/09, RimHo 5, disc brak.rear axle	Diesel	FWD	1686	74	101	02.07-10.10	■
1.7 CDTi (L69) (Z 17 DTJ)	-12/09, RimHo 5, disc brak.rear axle	Diesel	FWD	1686	81	110	02.07-06.10	■

LISTA DE APLICACIONES - BUYERS GUIDE

ASTRA H CLASSIC (A04) 01.09-05.14					Estate (Compact car-C Segment)			
1.4 (L35) (Z 14 XEP)		Gasolina	FWD	1364	66	90	01.09-05.14	■
1.6 (L35) (Z 16 XER)		Gasolina	FWD	1598	85	116	01.09-05.14	■
1.8 (L35) (Z 18 XER)		Gasolina	FWD	1796	103	140	01.12-05.14	■
1.7 CDTI (L35) (Z 17 DTJ)		Diesel	FWD	1686	81	110	01.09-05.14	■
1.7 CDTI (L35) (A 17 DTR)		Diesel	FWD	1686	92	125	01.09-05.14	■
1.7 CDTI (L35) (Z 17 DTR)		Diesel	FWD	1686	92	125	01.09-05.14	■
ASTRA H CLASSIC (A04) 01.09-					Hatchback (Compact car-C Segment)			
1.4 (L48) (Z 14 XEP)	disc brak.rear axle	Gasolina	FWD	1364	66	90	01.09-05.14	■
1.6 (L48) (Z 16 XER)	disc brak.rear axle	Gasolina	FWD	1598	85	116	01.09-05.14	■
1.8 (L48) (Z 18 XER)		Gasolina	FWD	1796	103	140	02.13-05.14	■
1.3 CDTI (L48) (Z 13 DTH)	disc brak.rear axle	Diesel	FWD	1248	66	90	01.09-05.14	■
1.7 CDTI (L48) (A 17 DTJ)		Diesel	FWD	1686	81	110	01.09-05.14	■
1.7 CDTI (L48) (Z 17 DTJ)		Diesel	FWD	1686	81	110	01.09-05.14	■
1.7 CDTI (L48) (A 17 DTR)		Diesel	FWD	1686	92	125	01.09-05.14	■
1.7 CDTI (L48) (Z 17 DTR)		Diesel	FWD	1686	92	125	01.09-05.14	■
ASTRA H CLASSIC (A04) 01.09-05.14					Saloon (Compact car-C Segment)			
1.6 (L69) (Z 16 XER)		Gasolina	FWD	1598	85	116	01.09-05.14	■
1.8 (L69) (Z 18 XER)		Gasolina	FWD	1796	103	140	01.09-09.12	■
1.7 CDTi (L69) (Z 17 DTJ)		Diesel	FWD	1686	81	110	01.09-05.14	■
1.7 CDTi (L69) (A 17 DTR)		Diesel	FWD	1686	92	125	01.09-05.14	■
1.7 CDTi (L69) (Z 17 DTR)		Diesel	FWD	1686	92	125	01.09-05.14	■
ASTRA H GTC (A04) 03.05-10.10					Hatchback (Compact car-C Segment)			
1.2	-12/09	Gasolina	FWD	1199	48	65	10.06-	■
1.2 (L08)	-12/09	Gasolina	FWD	1229	59	80	08.05-10.10	■
1.4 (L08) (Z 14 XEL)	RimHo 5, disc brak.rear axle	Gasolina	FWD	1364	55	75	03.05-10.10	■
1.4 (L08) (Z 14 XEP)	-12/09, RimHo 5, disc brak.rear axle	Gasolina	FWD	1364	66	90	03.05-10.10	■
1.6 CNG	-12/09	Gasolina	FWD	1598	69	94	11.05-	■
1.6 (L08) (Z 16 XE1)	-12/09, RimHo 5, disc brak.rear axle	Gasolina	FWD	1598	77	105	03.05-10.10	■
1.6 (L08) (Z 16 XEP)	-12/09, RimHo 5, disc brak.rear axle	Gasolina	FWD	1598	77	105	03.05-10.10	■
1.6 (L08) (Z 16 XER)	-12/09, RimHo 5, disc brak.rear axle	Gasolina	FWD	1598	85	116	12.06-10.10	■
1.6 Turbo (L08) (A 16 LET)	-12/09, RimHo 5, disc brak.rear axle	Gasolina	FWD	1598	132	180	02.07-10.10	■
1.6 Turbo (L08) (Z 16 LET)	-12/09, RimHo 5, disc brak.rear axle	Gasolina	FWD	1598	132	180	02.07-10.10	■
1.8 (L08) (Z 18 XE)	-12/09, RimHo 5, disc brak.rear axle	Gasolina	FWD	1796	92	125	03.05-10.10	■
1.8 (L08) (Z 18 XER)	-12/09, RimHo 5, disc brak.rear axle	Gasolina	FWD	1796	103	140	01.06-10.10	■
2.0 Turbo (L08) (Z 20 LEL)	-12/09, RimHo 5	Gasolina	FWD	1998	125	170	03.05-10.10	■
2.0 Turbo (L08) (Z 20 LER)	-12/09, RimHo 5	Gasolina	FWD	1998	147	200	03.05-10.10	■
2.0 Turbo (L08) (Z 20 LEH)	-12/09	Gasolina	FWD	1998	177	240	08.05-10.10	■
1.3 CDTI (L08) (Z 13 DTH)	-12/09, RimHo 5, disc brak.rear axle	Diesel	FWD	1248	66	90	04.05-10.10	■
1.7 CDTi (L08) (Z 17 DTL)	-12/09, RimHo 5, disc brak.rear axle	Diesel	FWD	1686	59	80	03.05-10.10	■
1.7 CDTi (L08) (Z 17 DTH)	-12/09, RimHo 5, disc brak.rear axle	Diesel	FWD	1686	74	101	03.05-10.10	■
1.7 CDTi (L08) (A 17 DTJ)	-12/09, RimHo 5, disc brak.rear axle	Diesel	FWD	1686	81	110	02.07-10.10	■
1.7 CDTi (L08) (Z 17 DTJ)	-12/09, RimHo 5, disc brak.rear axle	Diesel	FWD	1686	81	110	02.07-10.10	■

LISTA DE APLICACIONES - BUYERS GUIDE

1.7 CDTi (L08) (A 17 DTR)	-12/09, RimHo 5, disc brak.rear axle	Diesel	FWD	1686	92	125	02.07-10.10	■	
1.7 CDTi (L08) (Z 17 DTR)	-12/09, RimHo 5, disc brak.rear axle	Diesel	FWD	1686	92	125	02.07-10.10	■	
1.9 CDTi (L08) (Z 19 DTL)	-12/09, RimHo 5, disc brak.rear axle	Diesel	FWD	1910	74	101	01.06-10.10	■	
1.9 CDTi (L08) (Z 19 DT)	-12/09, RimHo 5, disc brak.rear axle	Diesel	FWD	1910	88	120	09.05-10.10	■	
1.9 CDTi 16V (L08) (Z 19 DTJ)	-12/09, RimHo 5, disc brak.rear axle	Diesel	FWD	1910	88	120	03.05-10.10	■	
1.9 CDTi (L08) (Z 19 DTH)	-12/09, RimHo 5, disc brak.rear axle	Diesel	FWD	1910	110	150	03.05-10.10	■	
ASTRA H TwinTop (A04) 09.05-12.13							Convertible (Compact car-C Segment)		
1.4 (L67) (Z 14 XEP)		Gasolina	FWD	1364	66	90	10.05-10.10	■	
1.6 (L67) (Z 16 XE1)	-12/09, RimHo 5, disc brak.rear axle	Gasolina	FWD	1598	77	105	09.05-10.10	■	
1.6 (L67) (Z 16 XEP)	-12/09, RimHo 5, disc brak.rear axle	Gasolina	FWD	1598	77	105	09.05-10.10	■	
1.6 (L67) (Z 16 XER)	-12/09, RimHo 5, disc brak.rear axle	Gasolina	FWD	1598	85	116	12.06-10.10	■	
1.6 Turbo (L67) (A 16 LET)	-12/09, RimHo 5, disc brak.rear axle	Gasolina	FWD	1598	132	180	02.07-10.10	■	
1.6 Turbo (L67) (Z 16 LET)	-12/09, RimHo 5, disc brak.rear axle	Gasolina	FWD	1598	132	180	02.07-10.10	■	
1.8 (L67) (Z 18 XE)	-12/09, RimHo 5, disc brak.rear axle	Gasolina	FWD	1796	92	125	09.05-10.10	■	
1.8 (L67) (A 18 XER)	-12/09, RimHo 5, disc brak.rear axle	Gasolina	FWD	1796	103	140	09.05-10.10	■	
1.8 (L67) (Z 18 XER)	-12/09, RimHo 5, disc brak.rear axle	Gasolina	FWD	1796	103	140	09.05-10.10	■	
2.0 Turbo (L67) (Z 20 LEL)	-12/09, RimHo 5	Gasolina	FWD	1998	125	170	09.05-10.10	■	
2.0 Turbo (L67) (Z 20 LER)	-12/09, RimHo 5	Gasolina	FWD	1998	147	200	09.05-10.10	■	
1.9 CDTi (L67) (Z 19 DTH)	-12/09, RimHo 5	Diesel	FWD	1910	110	150	09.05-10.10	■	
COMBO C 10.01-							Box Body/MPV (LCVs-N1 Segment)		
1.4 16V (Z 14 XEP)	disc brak.rear axle	Gasolina	FWD	1364	66	90	08.05-	■	
1.6 (Z 16 SE)	disc brak.rear axle	Gasolina	FWD	1598	64	87	10.01-	■	
1.6 CNG 16V (Z 16 YNG)	disc brak.rear axle	Gasol./Gas (CNG)	FWD	1598	69	94	06.06-	■	
1.6 CNG 16V (Z 16 YNG)	disc brak.rear axle	Gasol./Gas (CNG)	FWD	1598	71	97	04.05-	■	
1.3 CDTi 16V (Z 13 DT)	disc brak.rear axle	Diesel	FWD	1248	51	69	08.05-	■	
1.3 CDTi 16V (Z 13 DTJ)	disc brak.rear axle	Diesel	FWD	1248	55	75	10.05-12.12	■	
1.7 DI 16V (Y 17 DTL)	disc brak.rear axle	Diesel	FWD	1686	48	65	10.01-	■	
1.7 DTi 16V (Y 17 DT)	disc brak.rear axle	Diesel	FWD	1686	55	75	10.01-	■	
1.7 CDTi 16V (Z 17 DTH)	disc brak.rear axle	Diesel	FWD	1686	74	101	12.04-	■	
COMBO C Tour 10.01-							MPV (Large MPV-M1 Segment)		
1.4 (Z 14 XEP)	disc brak.rear axle	Gasolina	FWD	1364	66	90	10.04-12.11	■	
1.6	disc brak.rear axle	Gasolina	FWD	1598	62	84	10.01-09.06	■	
1.6 (Z 16 SE)	disc brak.rear axle	Gasolina	FWD	1598	64	87	10.01-09.06	■	
1.6 CNG (Z 16 YNG)	disc brak.rear axle	Gasol./Gas (CNG)	FWD	1598	69	94	06.06-12.11	■	
1.6 CNG (Z 16 YNG)	disc brak.rear axle	Gasol./Gas (CNG)	FWD	1598	71	97	04.05-01.11	■	
1.3 CDTi 16V (Y 13 DT)	disc brak.rear axle	Diesel	FWD	1248	51	69	06.04-01.11	■	
1.3 CDTi 16V (Z 13 DT)	disc brak.rear axle	Diesel	FWD	1248	51	69	06.04-01.11	■	
1.3 CDTi 16V (Z 13 DTJ)	disc brak.rear axle	Diesel	FWD	1248	55	75	10.05-12.11	■	
1.7 DI 16V (Y 17 DTL)	disc brak.rear axle	Diesel	FWD	1686	48	65	10.01-06.04	■	
1.7 DTi 16V (Y 17 DT)	disc brak.rear axle	Diesel	FWD	1686	55	75	10.01-06.04	■	

LISTA DE APLICACIONES - BUYERS GUIDE

1.7 CDTI 16V (Z 17 DTH)	disc brak.rear axle	Diesel	FWD	1686	74	101	07.04-12.11	■
CORSA B CLASSIC 08.94-12.05					Saloon (Supermini car-B Segment)			
1.4		Gasolina	FWD	1364	66	90	07.00-12.03	■
1.4		Gasolina	FWD	1389	66	90	07.00-05.01	■
1.8 (Z 18 XEL)	disc brak.rear axle	Gasolina	FWD	1796	79	107	01.02-12.05	■
CORSA C (X01) 09.00-					Hatchback Van (LCVs-N1 Segment)			
1.3 CDTI 16V (F08, W5L) (Z 13 DT)		Diesel	FWD	1248	51	69	07.05-06.06	■
1.3 CDTI 16V (F08, W5L) (Z 13 DT)		Diesel	FWD	1248	59	80	07.05-06.06	■
CORSA C (X01) 09.00-12.09					Saloon (Supermini car-B Segment)			
1.7 CDTi (Z 17 DTH)		Diesel	FWD	1686	74	100	01.05-12.08	■
CORSA C / VITA C (X01) 09.00-12.09					Hatchback (Supermini car-B Segment)			
1.0 (F08, F68) (Z 10 XE)		Gasolina	FWD	973	43	58	09.00-06.03	■
1.0 (F08, F68) (Z 10 XEP)		Gasolina	FWD	998	44	60	06.03-12.09	■
1.2 (F08, F68) (Z 12 XE)		Gasolina	FWD	1199	55	75	09.00-12.09	■
1.2 Twinport (F08, F68) (Z 12 XEP)		Gasolina	FWD	1229	59	80	07.04-12.09	■
1.4 Twinport (F08, F68) (Z 14 XEP)		Gasolina	FWD	1364	66	90	06.03-12.09	■
1.4 (F08, F68)		Gasolina	FWD	1389	60	82	01.02-12.09	■
1.6 (F08, F68)		Gasolina	FWD	1598	62	84	09.00-12.09	■
1.6		Gasolina	FWD	1598	69	92	05.03-12.09	■
1.8 (F08, F68) (Z 18 XEL)	disc brak.rear axle	Gasolina	FWD	1796	79	107	01.02-12.09	■
1.3 CDTI (F08, F68) (Y 13 DT)		Diesel	FWD	1248	51	70	06.03-12.09	■
1.3 CDTI (F08, F68) (Z 13 DT)		Diesel	FWD	1248	51	70	06.03-12.09	■
1.7 DI (F08, F68) (Y 17 DTL)		Diesel	FWD	1686	48	65	09.00-12.09	■
1.7 DTI (F08, F68) (Y 17 DT)		Diesel	FWD	1686	55	75	09.00-12.09	■
1.7 CDTI (F08, F68) (Z 17 DTH)	-12/06	Diesel	FWD	1686	74	100	06.03-12.09	■
MERIVA A (X03) 05.03-05.10					MPV (Mini MPV-M1 Segment)			
1.4 16V Twinport (E75) (Z 14 XEP)	-12/08	Gasolina	FWD	1364	66	90	07.04-05.10	■
1.6 (E75) (Z 16 SE)	-12/08	Gasolina	FWD	1598	64	87	05.03-05.10	■
1.6 16V (E75) (Z 16 XE)		Gasolina	FWD	1598	74	100	05.03-01.06	■
1.6 (E75) (Z 16 XEP)	-12/08	Gasolina	FWD	1598	77	105	01.06-05.10	■
1.6 Turbo (E75) (Z 16 LET)	-12/08	Gasolina	FWD	1598	132	180	09.05-05.10	■
1.8 (E75) (Z 18 XE)	-12/08	Gasolina	FWD	1796	92	125	05.03-05.10	■
1.4 16V Twinport LPG (E75) (Z 14 XEP)		Gasol./Gas (LPG)	FWD	1364	66	90	07.04-05.10	■
1.3 CDTI (E75) (Y 13 DT)	-12/08	Diesel	FWD	1248	51	69	04.05-05.10	■
1.3 CDTI (E75) (Z 13 DT)	-12/08	Diesel	FWD	1248	51	69	04.05-05.10	■
1.3 CDTI (E75) (Z 13 DTJ)	01/06-	Diesel	FWD	1248	55	75	09.03-05.10	■
1.7 DTI (E75) (Y 17 DT)	-12/08	Diesel	FWD	1686	55	75	09.03-05.10	■
1.7 CDTI (E75) (Z 17 DT)	-12/08	Diesel	FWD	1686	74	100	09.03-05.10	■
1.7 CDTI (E75) (Z 17 DTH)	-12/08	Diesel	FWD	1686	74	100	09.03-05.10	■
1.7 CDTI (E75) (Z 17 DTR)	-12/08	Diesel	FWD	1686	92	125	09.06-05.10	■
MERIVA B (S10) 06.10-					MPV (Mini MPV-M1 Segment)			
1.4 (75) (A 14 NEL)		Gasolina	FWD	1364	88	120	06.10-03.17	■
1.4 (75) (B 14 NEL)		Gasolina	FWD	1364	88	120	06.10-03.17	■
1.4 (75) (A 14 NET)		Gasolina	FWD	1364	103	140	06.10-03.17	■
1.4 (75) (B 14 NET)		Gasolina	FWD	1364	103	140	06.10-03.17	■
1.4 (75) (A 14 XER)		Gasolina	FWD	1398	74	100	06.10-03.17	■
1.4 (75) (B 14 XER)		Gasolina	FWD	1398	74	100	06.10-03.17	■
1.4 LPG (75) (A 14 NEL)		Gasol./Gas (LPG)	FWD	1364	88	120	06.11-03.17	■

LISTA DE APLICACIONES - BUYERS GUIDE

1.4 LPG (75) (B 14 NEL)		Gasol./Gas (LPG)	FWD	1364	88	120	06.11-03.17	■	
1.3 CDTi (75) (A 13 DTC)		Diesel	FWD	1248	55	75	06.10-10.13	■	
1.3 CDTi (75) (A 13 DTE)		Diesel	FWD	1248	70	95	06.10-11.14	■	
1.6 CDTi (75) (B 16 DTC)		Diesel	FWD	1598	70	95	01.14-01.17	■	
1.6 CDTi (75) (B 16 DTE)		Diesel	FWD	1598	81	110	03.14-03.17	■	
1.6 CDTi (75) (B 16 DTL)		Diesel	FWD	1598	81	110	03.14-03.17	■	
1.6 CDTi (75) (B 16 DTN)		Diesel	FWD	1598	81	110	03.14-03.17	■	
1.6 CDTi (75) (B 16 DTH)		Diesel	FWD	1598	100	136	08.13-01.17	■	
1.7 CDTi (75) (A 17 DT)		Diesel	FWD	1686	74	100	06.10-01.17	■	
1.7 CDTi (75) (A 17 DTC)		Diesel	FWD	1686	81	110	06.10-06.15	■	
1.7 CDTi (75) (A 17 DTI)		Diesel	FWD	1686	81	110	06.10-06.15	■	
1.7 CDTi (75) (A 17 DTS)		Diesel	FWD	1686	96	131	06.10-10.13	■	
MERIVA B VAN (S10) 06.10-03.17							Box Body/MPV (Mini MPV-M1 Segment)		
1.4 ECOTEC (75)		Gasolina	FWD	1398	74	101	01.13-03.17	■	
1.3 CDTi (75)		Diesel	FWD	1248	70	95	01.13-11.14	■	
1.6 CDTi (75)		Diesel	FWD	1598	70	95	01.14-01.17	■	
1.6 CDTi (75)		Diesel	FWD	1598	81	110	03.14-03.17	■	
1.7 CDTi (75)		Diesel	FWD	1686	74	101	01.13-01.17	■	
1.7 CDTi (75)		Diesel	FWD	1686	81	110	01.13-10.13	■	
1.7 CDTi (75)		Diesel	FWD	1686	96	131	01.13-10.13	■	
ZAFIRA A (T98) 04.99-06.06							MPV (Compact MPV-M1 Segment)		
1.6 16V (F75) (X 16 XEL)	disc brak.rear axle	Gasolina	FWD	1598	74	101	04.99-06.05	■	
1.6 16V (F75) (Z 16 XE)	disc brak.rear axle	Gasolina	FWD	1598	74	101	04.99-06.05	■	
1.6 (F75) (Z 16 XE)	disc brak.rear axle	Gasolina	FWD	1598	76	103	10.03-06.05	■	
1.8		Gasolina	FWD	1796	81	110	02.03-06.05	■	
1.8 16V (F75) (X 18 XE1)		Gasolina	FWD	1796	85	116	04.99-09.00	■	
1.8 16V (F75) (Z 18 XE)	01/01-	Gasolina	FWD	1796	92	125	09.00-06.05	■	
2.0 OPC (F75) (Z 20 LET)		Gasolina	FWD	1998	141	192	09.01-06.05	■	
2.0 OPC (F75) (Z 20 LET)		Gasolina	FWD	1998	147	200	11.02-06.05	■	
2.2 16V (F75) (Z 22 SE)	01/01-	Gasolina	FWD	2198	108	147	09.00-06.05	■	
1.6 LPG (F75) (X 16 XEL)	disc brak.rear axle	Gasol./Gas (LPG)	FWD	1598	74	101	04.99-06.05	■	
1.6 LPG (F75) (Z 16 XE)	disc brak.rear axle	Gasol./Gas (LPG)	FWD	1598	74	101	04.99-06.05	■	
1.6 LPG (F75) (Z 16 XEP)	disc brak.rear axle	Gasol./Gas (LPG)	FWD	1598	76	103	10.03-06.05	■	
1.6 CNG (F75) (Z 16 YNG)	disc brak.rear axle	Gasol./Gas (CNG)	FWD	1598	71	97	09.01-06.05	■	
2.0 DI 16V (F75) (X 20 DTL)	-12/01	Diesel	FWD	1995	60	82	07.99-06.05	■	
2.0 DI 16V (F75) (Y 20 DTL)	-12/01	Diesel	FWD	1995	60	82	07.99-06.05	■	
2.0 DI (F75)		Diesel	FWD	1995	63	86	07.99-06.00	■	
2.0 DTI 16V (F75) (Y 20 DTH)	01/01-	Diesel	FWD	1995	74	101	09.00-06.05	■	
2.2 DTI 16V (F75) (Y 22 DTR)		Diesel	FWD	2172	86	117	01.02-06.05	■	
2.2 DTI 16V (F75) (Y 22 DTR)		Diesel	FWD	2172	92	125	01.02-06.05	■	
ZAFIRA B (A05) 07.05-							Box Body/MPV (LCVs-N1 Segment)		
1.8 VAN (M75) (A 18 XER)	-12/11	Gasolina	FWD	1796	103	140	07.05-04.15	■	
1.8 VAN (M75) (Z 18 XER)	-12/11	Gasolina	FWD	1796	103	140	07.05-04.15	■	
1.6 CNG Turbo VAN (M75) (A 16 XNT)	-12/11	Gasol./Gas (CNG)	FWD	1598	110	150	02.09-04.15	■	
1.6 CNG Turbo VAN (M75) (Z 16 XNT)	-12/11	Gasol./Gas (CNG)	FWD	1598	110	150	02.09-04.15	■	

LISTA DE APLICACIONES - BUYERS GUIDE

1.7 CDTI VAN (M75) (A 17 DTJ)	-12/11	Diesel	FWD	1686	81	110	01.08-04.15	■
1.7 CDTI VAN (M75) (Z 17 DTJ)	-12/11	Diesel	FWD	1686	81	110	01.08-04.15	■
ZAFIRA / ZAFIRA FAMILY B (A05) 07.05-				MPV (Compact MPV-M1 Segment)				
1.6 (M75) (Z 16 XE1)	-12/11	Gasolina	FWD	1598	77	105	07.05-09.12	■
1.6 (M75) (Z 16 XEP)	-12/11	Gasolina	FWD	1598	77	105	07.05-09.12	■
1.6 (M75) (A 16 XER)	-12/11	Gasolina	FWD	1598	85	115	01.08-04.15	■
1.6 (M75) (Z 16 XER)	-12/11	Gasolina	FWD	1598	85	115	01.08-04.15	■
1.8 (M75) (A 18 XER)	-12/11, Eq.V_ NOISE OPTIMESED	Gasolina	FWD	1796	103	140	07.05-04.15	■
1.8 (M75) (Z 18 XER)	-12/11, Eq.V_ NOISE OPTIMESED	Gasolina	FWD	1796	103	140	07.05-04.15	■
2.0 (M75) (Z 20 LER)		Gasolina	FWD	1998	147	200	07.05-12.10	■
2.0 (M75) (Z 20 LEH)		Gasolina	FWD	1998	177	241	01.06-12.10	■
2.2 (M75) (Z 22 YH)	-12/11	Gasolina	FWD	2198	110	150	07.05-12.12	■
1.6 CNG (M75) (Z 16 YNG)	-12/11	Gasol./Gas (CNG)	FWD	1598	69	94	07.05-04.15	■
1.6 CNG Turbo (M75) (A 16 XNT)	-12/11	Gasol./Gas (CNG)	FWD	1598	110	150	04.10-04.15	■
1.6 CNG Turbo (M75) (Z 16 XNT)	-12/11	Gasol./Gas (CNG)	FWD	1598	110	150	04.10-04.15	■
1.7 CDTI (M75) (A 17 DTJ)	-12/11	Diesel	FWD	1686	81	110	01.08-04.15	■
1.7 CDTI (M75) (Z 17 DTJ)	-12/11	Diesel	FWD	1686	81	110	01.08-04.15	■
1.7 CDTI (M75) (A 17 DTR)	-12/11, Eq.V_ NOISE OPTIMESED	Diesel	FWD	1686	92	125	03.07-04.15	■
1.9 CDTI (M75) (Z 19 DTL)		Diesel	FWD	1910	74	100	07.05-12.10	■
1.9 CDTI (M75) (Z 19 DT)	-12/11	Diesel	FWD	1910	88	120	07.05-04.15	■
1.9 CDTI (M75) (Z 19 DTH)	-12/11	Diesel	FWD	1910	110	150	07.05-04.15	■
SATURN								
ASTRA (U.S.A.) 09.03-12.09				Hatchback (Compact car-C Segment)				
All models	01/08-	Gasolina	FWD				09.03-	■
1.8 (2H0)		Gasolina	FWD	1796	104	141	09.07-12.09	■
SUBARU								
TRAVIQ 08.00-08.05				MPV (Compact MPV-M1 Segment)				
2.2		Gasolina	FWD	2198	108	147	08.00-08.05	■
VAUXHALL								
ASTRA Mk IV (G) (T98) 03.01-10.05				Convertible (Compact car-C Segment)				
1.6 16V (Z 16 XE)	01/02-	Gasolina	FWD	1598	74	101	03.01-10.05	■
1.6 16V (Z 16 XEP)		Gasolina	FWD	1598	76	103	03.03-10.05	■
1.8 16V (Z 18 XE)	01/02-	Gasolina	FWD	1796	92	125	03.01-10.05	■
2.0 Turbo (Z 20 LET)		Gasolina	FWD	1998	141	192	03.02-10.05	■
2.0 (Z 20 LET)		Gasolina	FWD	1998	147	200	09.02-10.05	■
2.2 16V (Z 22 SE)	01/02-	Gasolina	FWD	2198	108	147	03.01-10.05	■
ASTRA Mk IV (G) (T98) 03.00-08.05				Coupe (Compact car-C Segment)				
1.6 16V (Z 16 XEP)		Gasolina	FWD	1598	76	103	03.00-08.05	■
1.8 16V (X 18 XE1)		Gasolina	FWD	1796	85	115	03.00-08.05	■
1.8 16V (Z 18 XE)	01/01-	Gasolina	FWD	1796	92	125	09.00-08.05	■
2.0 16V Turbo (Z 20 LET)	01/02-	Gasolina	FWD	1998	140	190	09.00-08.05	■
2.2 16V (Z 22 SE)	01/02-	Gasolina	FWD	2198	108	147	03.00-08.05	■
1.8 16V Dualfuel (Z 18 XE)		Gasol./Gas (LPG)	FWD	1796	87	118	09.02-08.05	■

LISTA DE APLICACIONES - BUYERS GUIDE

1.8 16V Dualfuel (Z 18 XE)		Gasol./Gas (LPG)	FWD	1796	92	125	07.02-08.04	■
ASTRA Mk IV (G) (T98) 02.98-05.05				Estate (Compact car-C Segment)				
1.2 16V	01/01-	Gasolina	FWD	1199	55	75	09.00-05.05	■
1.4 16V (X 14 XE)	01/01-, disc brak.rear axle	Gasolina	FWD	1389	66	90	02.98-05.05	■
1.4 16V (Z 14 XE)	01/01-, disc brak.rear axle	Gasolina	FWD	1389	66	90	02.98-05.05	■
1.6 (X 16 SZR)	disc brak.rear axle	Gasolina	FWD	1598	55	75	03.98-04.04	■
1.6 (Z 16 SE)	01/01-, disc brak.rear axle	Gasolina	FWD	1598	62	84	03.98-04.04	■
1.6 16V (X 16 XEL)	01/01-, disc brak.rear axle	Gasolina	FWD	1598	74	101	03.98-04.04	■
1.6 16V (Z 16 XE)	01/01-, disc brak.rear axle	Gasolina	FWD	1598	74	101	03.98-04.04	■
1.6 (Z 16 XEP)	disc brak.rear axle	Gasolina	FWD	1598	76	103	12.02-05.05	■
1.8 16V (X 18 XE1)	disc brak.rear axle	Gasolina	FWD	1796	85	116	02.98-08.00	■
1.8 16V (Z 18 XE)	01/01-	Gasolina	FWD	1796	92	125	09.00-05.05	■
2.0 16V	01/01-	Gasolina	FWD	1998	100	136	02.98-05.05	■
2.2 16V (Z 22 SE)		Gasolina	FWD	2198	108	147	03.01-05.05	■
1.4 16V Dualfuel (X 14 XE)	disc brak.rear axle	Gasol./Gas (LPG)	FWD	1389	66	90	09.99-06.03	■
1.4 16V Dualfuel (Z 14 XE)	disc brak.rear axle	Gasol./Gas (LPG)	FWD	1389	66	90	09.99-06.03	■
1.6 Dualfuel (X 16 SZR)	disc brak.rear axle	Gasol./Gas (LPG)	FWD	1598	55	75	02.98-12.00	■
1.6 Dualfuel (Z 16 SE)	disc brak.rear axle	Gasol./Gas (LPG)	FWD	1598	62	86	07.00-05.05	■
1.6 Dualfuel (Z 16 SE)	01/02-, disc brak.rear axle	Gasol./Gas (LPG)	FWD	1598	63	85	03.98-04.04	■
1.6 Dualfuel (X 16 XEL)	disc brak.rear axle	Gasol./Gas (LPG)	FWD	1598	74	101	09.99-08.04	■
1.6 Dualfuel (Z 16 XE)	disc brak.rear axle	Gasol./Gas (LPG)	FWD	1598	74	101	09.99-08.04	■
1.8 16V Dualfuel (Z 18 XE)		Gasol./Gas (LPG)	FWD	1796	87	118	09.02-05.05	■
1.8 16V Dualfuel (Z 18 XE)		Gasol./Gas (LPG)	FWD	1796	92	125	07.02-12.03	■
1.7 DTI 16V (Y 17 DT)	01/01-, disc brak.rear axle	Diesel	FWD	1686	55	75	02.00-05.05	■
1.7 CDTI 16V (Z 17 DTL)	disc brak.rear axle	Diesel	FWD	1686	59	80	04.03-05.05	■
1.7 TD (X 17 DTL)	disc brak.rear axle	Diesel	FWD	1700	50	68	02.98-08.00	■
2.0 DI (X 20 DTL)	01/01-, disc brak.rear axle	Diesel	FWD	1995	60	82	03.98-04.04	■
2.0 DI (Y 20 DTL)	01/01-, disc brak.rear axle	Diesel	FWD	1995	60	82	03.98-04.04	■
2.0 DTI 16V (Y 20 DTH)	01/01-	Diesel	FWD	1995	74	101	03.98-04.04	■
ASTRA Mk IV (G) (T98) 02.98-05.05				Hatchback (Compact car-C Segment)				
1.2 16V (F08, F48)	01/01-	Gasolina	FWD	1199	55	75	09.00-05.05	■
1.4 16V (F08, F48) (X 14 XE)	01/01-, disc brak.rear axle	Gasolina	FWD	1389	66	90	02.98-05.05	■
1.4 16V (F08, F48) (Z 14 XE)	01/01-, disc brak.rear axle	Gasolina	FWD	1389	66	90	02.98-05.05	■
1.6 (F08, F48) (X 16 SZR)	disc brak.rear axle	Gasolina	FWD	1598	55	75	02.98-09.00	■
1.6 (F08, F48) (Z 16 SE)	01/01-, disc brak.rear axle	Gasolina	FWD	1598	62	84	09.00-05.05	■
1.6 16V (F08, F48) (X 16 XEL)	01/01-, disc brak.rear axle	Gasolina	FWD	1598	74	101	02.98-05.05	■
1.6 16V (F08, F48) (Z 16 XE)	01/01-, disc brak.rear axle	Gasolina	FWD	1598	74	101	02.98-05.05	■
1.8 16V (F08, F48) (X 18 XE1)		Gasolina	FWD	1796	85	116	02.98-09.00	■
1.8 16V (F08, F48) (Z 18 XE)	01/01-	Gasolina	FWD	1796	92	125	09.00-05.05	■
2.0 16V (F08) (X 20 XEV)	01/01-, disc brak.rear axle	Gasolina	FWD	1998	100	136	02.98-05.05	■
2.0 SRI Turbo (F08) (Z 20 LET)		Gasolina	FWD	1998	141	192	11.01-05.05	■
2.0 (F08) (Z 20 LET)		Gasolina	FWD	1998	147	199	08.02-05.05	■
2.2 16V (F08, F48) (Z 22 SE)		Gasolina	FWD	2198	108	147	03.01-05.05	■
1.4 16V Dualfuel (F08, F48) (X 14 XE)	disc brak.rear axle	Gasol./Gas (LPG)	FWD	1389	66	90	09.99-06.03	■
1.4 16V Dualfuel (F08, F48) (Z 14 XE)	disc brak.rear axle	Gasol./Gas (LPG)	FWD	1389	66	90	09.99-06.03	■

LISTA DE APLICACIONES - BUYERS GUIDE

1.6 Dualfuel (F08, F48) (X 16 SZR)	disc brak.rear axle	Gasol./Gas (LPG)	FWD	1598	55	75	02.98-12.00	■
1.6 Dualfuel (F08) (Z 16 SE)	disc brak.rear axle	Gasol./Gas (LPG)	FWD	1598	62	86	07.00-05.05	■
1.6 Dualfuel (F08, F48) (Z 16 SE)	disc brak.rear axle	Gasol./Gas (LPG)	FWD	1598	63	85	09.02-05.05	■
1.6 Dualfuel (F08, F48) (X 16 XEL)	disc brak.rear axle	Gasol./Gas (LPG)	FWD	1598	74	101	09.99-08.04	■
1.6 Dualfuel (F08, F48) (Z 16 XE)	disc brak.rear axle	Gasol./Gas (LPG)	FWD	1598	74	101	09.99-08.04	■
1.8 16V Dualfuel (F08, F48) (Z 18 XE)		Gasol./Gas (LPG)	FWD	1796	87	118	09.02-05.05	■
1.8 16V Dualfuel (F08, F48) (Z 18 XE)		Gasol./Gas (LPG)	FWD	1796	92	125	07.02-12.03	■
1.7 DTI 16V (F08, F48) (Y 17 DT)	01/01-, disc brak.rear axle	Diesel	FWD	1686	55	75	02.00-05.05	■
1.7 CDTI 16V (F08, F48) (Z 17 DTL)	disc brak.rear axle	Diesel	FWD	1686	59	80	04.03-05.05	■
1.7 TD (F08, F48) (X 17 DTL)	disc brak.rear axle	Diesel	FWD	1700	50	68	02.98-08.00	■
2.0 DI (F48) (X 20 DTL)	01/01-, disc brak.rear axle	Diesel	FWD	1995	60	82	02.98-05.05	■
2.0 DI (F48) (Y 20 DTL)	01/01-, disc brak.rear axle	Diesel	FWD	1995	60	82	02.98-05.05	■
2.0 DTI 16V (F48) (Y 20 DTH)	01/01-	Diesel	FWD	1995	74	101	08.99-05.05	■
ASTRA Mk IV (G) (T98) 02.98-05.05				Saloon (Compact car-C Segment)				
1.2 16V	01/01-	Gasolina	FWD	1199	55	75	09.00-05.05	■
1.4 16V (X 14 XE)	01/01-, disc brak.rear axle	Gasolina	FWD	1389	66	90	09.98-05.05	■
1.4 16V (Z 14 XE)	01/01-, disc brak.rear axle	Gasolina	FWD	1389	66	90	09.98-05.05	■
1.6 (X 16 SZR)	disc brak.rear axle	Gasolina	FWD	1598	55	75	09.98-09.00	■
1.6 (Z 16 SE)	01/01-, disc brak.rear axle	Gasolina	FWD	1598	62	84	09.00-05.05	■
1.6 16V (X 16 XEL)	01/01-, disc brak.rear axle	Gasolina	FWD	1598	74	101	09.98-05.05	■
1.6 16V (Z 16 XE)	01/01-, disc brak.rear axle	Gasolina	FWD	1598	74	101	09.98-05.05	■
1.8 16V (X 18 XE1)	disc brak.rear axle	Gasolina	FWD	1796	85	116	02.98-07.04	■
1.8 16V (Z 18 XE)	01/01-	Gasolina	FWD	1796	92	125	02.98-07.04	■
2.0 16V (X 20 XEV)	01/01-, disc brak.rear axle	Gasolina	FWD	1998	100	136	09.98-05.05	■
2.0 16V		Gasolina	FWD	1998	118	160	10.99-05.05	■
2.2 16V		Gasolina	RWD	2198	108	147	03.01-05.05	■
1.6 Dualfuel	disc brak.rear axle	Gasol./Gas (LPG)	FWD	1598	55	75	02.98-12.00	■
1.6 Dualfuel (Z 16 SE)	disc brak.rear axle	Gasol./Gas (LPG)	FWD	1598	62	86	07.00-05.05	■
1.6 Dualfuel (Z 16 SE)	disc brak.rear axle	Gasol./Gas (LPG)	FWD	1598	63	85	09.02-05.05	■
1.6 Dualfuel (X 16 XEL)	disc brak.rear axle	Gasol./Gas (LPG)	FWD	1598	74	101	09.99-08.04	■
1.6 Dualfuel (Z 16 XE)	disc brak.rear axle	Gasol./Gas (LPG)	FWD	1598	74	101	09.99-08.04	■
1.8 16V Dualfuel (Z 18 XE)	01/02-	Gasol./Gas (LPG)	FWD	1796	87	118	02.98-07.04	■
1.8 16V Dualfuel		Gasol./Gas (LPG)	FWD	1796	92	125	07.02-12.03	■
1.7 DTI 16V (Y 17 DT)	01/01-, disc brak.rear axle	Diesel	FWD	1686	55	75	02.00-05.05	■
1.7 CDTI 16V (Z 17 DTL)	disc brak.rear axle	Diesel	FWD	1686	59	80	04.03-05.05	■
1.7 TD (X 17 DTL)	disc brak.rear axle	Diesel	FWD	1700	50	68	09.98-08.00	■
2.0 DI (X 20 DTL)	01/01-, disc brak.rear axle	Diesel	FWD	1995	60	82	02.98-07.04	■
2.0 DI (Y 20 DTL)	01/01-, disc brak.rear axle	Diesel	FWD	1995	60	82	02.98-07.04	■
2.0 DTI 16V (Y 20 DTH)	01/01-, disc brak.rear axle	Diesel	FWD	1995	74	101	02.98-07.04	■
ASTRA Mk V (H) (A04) 08.04-10.12				Estate (Compact car-C Segment)				
1.4 (L35) (Z 14 XEP)		Gasolina	FWD	1364	66	90	08.04-03.09	■
1.6 (L35) (Z 16 XE1)		Gasolina	FWD	1598	77	105	08.04-03.09	■
1.6 (L35) (Z 16 XEP)		Gasolina	FWD	1598	77	105	08.04-03.09	■
1.6 (L35) (Z 16 XER)	01/06-	Gasolina	FWD	1598	85	115	08.04-03.11	■

LISTA DE APLICACIONES - BUYERS GUIDE

1.6 (L35) (A 16 LET)	01/06-	Gasolina	FWD	1598	132	180	08.04-03.09	■	
1.6 (L35) (Z 16 LET)	01/06-	Gasolina	FWD	1598	132	180	08.04-03.09	■	
1.8 (L35) (Z 18 XE)		Gasolina	FWD	1796	92	125	10.04-03.09	■	
1.8 (L35) (A 18 XER)	01/08-	Gasolina	FWD	1796	103	140	12.05-10.10	■	
1.8 (L35) (Z 18 XER)	01/08-	Gasolina	FWD	1796	103	140	12.05-10.10	■	
2.0 Turbo (L35) (Z 20 LEL)	-12/09	Gasolina	FWD	1998	125	170	08.04-10.10	■	
2.0 Turbo (L35) (Z 20 LER)	-12/09	Gasolina	FWD	1998	147	200	08.04-10.10	■	
1.3 CDTI (L35) (Z 13 DTH)	01/05-	Diesel	FWD	1248	66	90	08.04-03.09	■	
1.7 CDTI (L35) (Z 17 DTL)		Diesel	FWD	1686	59	80	08.04-05.09	■	
1.7 CDTI (L35) (Z 17 DTH)		Diesel	FWD	1686	74	100	08.04-03.09	■	
1.7 TD	01/08-	Diesel	RWD	1686	79	108	08.04-03.09	■	
1.7 CDTI (L35) (A 17 DTJ)	01/07-	Diesel	FWD	1686	81	110	08.04-10.12	■	
1.7 CDTI (L35) (Z 17 DTJ)	01/07-	Diesel	FWD	1686	81	110	08.04-10.12	■	
1.9 CDTI (L35)	01/05-	Diesel	FWD	1910	74	100	08.04-03.09	■	
1.9 CDTI	01/05-	Diesel	RWD	1910	88	120	08.04-03.09	■	
1.9 CDTI (L35) (Z 19 DT)		Diesel	FWD	1910	88	120	08.04-03.09	■	
1.9 CDTI 16V (L35) (Z 19 DTJ)		Diesel	FWD	1910	88	120	08.04-03.09	■	
1.9 CDTI (L35) (Z 19 DTH)		Diesel	FWD	1910	110	150	08.04-03.09	■	
ASTRA Mk V (H) (A04) 01.04-03.11							Hatchback (Compact car-C Segment)		
1.4 (L48) (Z 14 XEP)		Gasolina	FWD	1364	66	90	01.04-05.09	■	
1.6 (L48) (Z 16 XE1)		Gasolina	FWD	1598	77	105	01.04-05.09	■	
1.6 (L48) (Z 16 XEP)		Gasolina	FWD	1598	77	105	01.04-05.09	■	
1.6 (L48) (A 16 XER)	01/06-	Gasolina	FWD	1598	85	115	01.04-05.09	■	
1.6 (L48) (Z 16 XER)	01/06-	Gasolina	FWD	1598	85	115	01.04-05.09	■	
1.6 Turbo (L48) (A 16 LET)		Gasolina	FWD	1598	132	180	09.06-09.09	■	
1.6 Turbo (L48) (Z 16 LET)		Gasolina	FWD	1598	132	180	09.06-09.09	■	
1.8 (L48) (Z 18 XE)		Gasolina	FWD	1796	92	125	01.04-05.09	■	
1.8 (L48) (A 18 XER)	01/06-	Gasolina	FWD	1796	103	140	01.04-05.09	■	
1.8 (L48) (Z 18 XER)	01/06-	Gasolina	FWD	1796	103	140	01.04-05.09	■	
2.0 Turbo (L48) (Z 20 LEL)		Gasolina	FWD	1998	125	170	01.04-05.09	■	
2.0 Turbo (L48) (Z 20 LER)		Gasolina	FWD	1998	147	200	01.04-05.09	■	
2.0 Turbo (L48) (Z 20 LEH)	01/05-	Gasolina	FWD	1998	177	240	01.04-05.09	■	
1.3 CDTI (L48) (Z 13 DTH)	01/05-	Diesel	FWD	1248	66	90	01.04-05.09	■	
1.7 CDTI (L48) (Z 17 DTL)		Diesel	FWD	1686	59	80	01.04-05.09	■	
1.7 CDTI (L48) (Z 17 DTH)		Diesel	FWD	1686	74	100	01.04-05.09	■	
1.7 TD	01/08-	Diesel	RWD	1686	79	108	01.04-05.09	■	
1.7 CDTI (L48) (A 17 DTJ)	01/07-	Diesel	FWD	1686	81	110	01.04-03.11	■	
1.7 CDTI (L48) (Z 17 DTJ)	01/07-	Diesel	FWD	1686	81	110	01.04-03.11	■	
1.9 CDTI (L48) (Z 19 DT)	01/05-	Diesel	FWD	1910	88	120	01.04-05.09	■	
1.9 CDTI 16V (L48) (Z 19 DTJ)		Diesel	FWD	1910	88	120	01.04-05.09	■	
1.9 CDTI (L48) (Z 19 DTH)		Diesel	FWD	1910	110	150	01.04-05.09	■	
ASTRA Mk V (H) Sport Hatch (A04) 02.05-11.10							Hatchback (Compact car-C Segment)		
1.4 i 16V (L08) (Z 14 XEP)	-12/09	Gasolina	FWD	1364	66	90	03.05-11.10	■	
1.6 (L08) (Z 16 XEP)	-12/09	Gasolina	FWD	1598	77	105	02.05-11.10	■	
1.6 i 16V (L08) (A 16 XER)	-12/09	Gasolina	FWD	1598	85	116	12.06-11.10	■	
1.6 i 16V (L08) (Z 16 XER)	-12/09	Gasolina	FWD	1598	85	116	12.06-11.10	■	
1.6 (L08) (A 16 LET)	-12/09	Gasolina	FWD	1598	132	179	10.06-11.10	■	
1.6 (L08) (Z 16 LET)	-12/09	Gasolina	FWD	1598	132	179	10.06-11.10	■	
1.8 (L08) (Z 18 XE)	-12/09	Gasolina	FWD	1796	92	125	02.05-11.10	■	
1.8 i 16V (L08) (A 18 XER)	-12/09	Gasolina	FWD	1796	103	140	03.07-11.10	■	

LISTA DE APLICACIONES - BUYERS GUIDE

1.8 i 16V (L08) (Z 18 XER)	-12/09	Gasolina	FWD	1796	103	140	03.07-11.10	■	
2.0 Turbo (L08) (Z 20 LEL)	-12/09	Gasolina	FWD	1998	125	170	02.05-11.10	■	
2.0 VXR (L08) (Z 20 LEH)		Gasolina	FWD	1998	176	240	02.09-11.10	■	
1.3 CDTi (L08) (Z 13 DTH)	-12/09	Diesel	FWD	1248	66	90	04.05-11.10	■	
1.7 CDTi (L08) (Z 17 DTH)	-12/09	Diesel	FWD	1686	74	100	02.05-11.10	■	
1.7 CDTi (L08) (A 17 DTJ)		Diesel	FWD	1686	81	110	02.07-11.09	■	
1.7 CDTi (L08) (Z 17 DTJ)		Diesel	FWD	1686	81	110	02.07-11.09	■	
1.9 CDTi (L08) (Z 19 DTL)	-12/09	Diesel	FWD	1910	74	101	08.05-11.10	■	
1.9 CDTi (L08) (Z 19 DT)	-12/09	Diesel	FWD	1910	88	120	02.05-11.10	■	
1.9 CDTi (L08) (Z 19 DTH)	-12/09	Diesel	FWD	1910	110	150	02.05-11.10	■	
ASTRA Mk V (H) TwinTop (A04) 09.05-08.11							Convertible (Compact car-C Segment)		
1.6 (L67) (Z 16 XEP)	-12/09	Gasolina	FWD	1598	77	105	09.05-11.10	■	
1.6 i 16V (L67) (A 16 XER)	-12/09	Gasolina	FWD	1598	85	116	10.06-08.11	■	
1.6 i 16V (L67) (Z 16 XER)	-12/09	Gasolina	FWD	1598	85	116	10.06-08.11	■	
1.6	-12/09	Gasolina	FWD	1598	132	179	10.06-11.10	■	
1.8 (L67) (A 18 XER)	-12/09	Gasolina	FWD	1796	103	140	05.08-11.10	■	
1.8 (L67) (Z 18 XER)	-12/09	Gasolina	FWD	1796	103	140	05.08-11.10	■	
2.0 (L67) (Z 20 LEL)	-12/06	Gasolina	FWD	1998	125	170	02.06-11.10	■	
2.0 Turbo (L67) (Z 20 LER)	-12/09	Gasolina	FWD	1998	147	200	01.06-11.10	■	
1.9 CDTi (L67) (Z 19 DTH)	-12/09	Diesel	FWD	1910	110	150	01.06-11.10	■	
ASTRAVAN Mk IV (G) (T98) 01.93-08.06							Estate Van (Compact car-C Segment)		
1.4 16V (Z 14 XE)	disc brak.rear axle	Gasolina	FWD	1389	66	90	09.00-05.05	■	
1.6 i (X 16 SZR)	disc brak.rear axle	Gasolina	FWD	1598	55	75	08.98-09.00	■	
1.6 i (Z 16 SE)	01/02-, disc brak.rear axle	Gasolina	FWD	1598	62	84	09.00-08.06	■	
1.6 Dualfuel (X 16 SZR)	disc brak.rear axle	Gasol./Gas (LPG)	FWD	1598	55	75	02.98-12.00	■	
1.6 Dualfuel (Z 16 SE)	disc brak.rear axle	Gasol./Gas (LPG)	FWD	1598	62	84	09.00-10.04	■	
1.6 Dualfuel (Z 16 XE)	disc brak.rear axle	Gasol./Gas (LPG)	FWD	1598	74	101	07.00-08.05	■	
1.6 Dualfuel 16V (Z 16 XEP)	disc brak.rear axle	Gasol./Gas (LPG)	FWD	1598	77	105	10.04-12.05	■	
1.7 DTI 16V (Y 17 DT)	disc brak.rear axle	Diesel	FWD	1686	55	75	04.01-08.06	■	
1.7 CDTi (Z 17 DTL)	disc brak.rear axle	Diesel	FWD	1686	59	80	07.03-08.06	■	
1.7 TD (X 17 DTL)	01/02-, disc brak.rear axle	Diesel	FWD	1700	50	68	08.98-08.06	■	
2.0 DI (X 20 DTL)	01/02-, disc brak.rear axle	Diesel	FWD	1995	60	82	08.98-08.06	■	
2.0 DI (Y 20 DTL)	01/02-, disc brak.rear axle	Diesel	FWD	1995	60	82	08.98-08.06	■	
2.0 DTI (Y 20 DTH)		Diesel	FWD	1995	74	100	04.04-08.06	■	
ASTRAVAN Mk V (H) (A04) 03.05-							Estate Van (Compact car-C Segment)		
1.4 i (Z 14 XEP)		Gasolina	FWD	1364	66	90	03.05-	■	
1.6 (Z 16 XE1)		Gasolina	FWD	1598	76	103	03.05-	■	
1.6 (Z 16 XEP)		Gasolina	FWD	1598	76	103	03.05-	■	
1.3 CDTi (Z 13 DTH)		Diesel	FWD	1248	66	90	08.05-	■	
1.7 CDTi (Z 17 DTL)		Diesel	FWD	1686	59	80	03.05-07.06	■	
1.7 CDTi (Z 17 DTH)		Diesel	FWD	1686	74	101	03.05-11.11	■	
1.7 CDTi (A 17 DTJ)		Diesel	FWD	1686	81	110	06.11-12.13	■	
1.7 CDTi (Z 17 DTJ)		Diesel	FWD	1686	81	110	06.11-12.13	■	
1.7 CDTi (A 17 DTR)		Diesel	FWD	1686	92	125	11.11-	■	
1.7 CDTi (Z 17 DTR)		Diesel	FWD	1686	92	125	11.11-	■	
1.9 CDTi (Z 19 DT)		Diesel	FWD	1910	88	120	03.05-11.11	■	
1.9 CDTi (Z 19 DTH)		Diesel	FWD	1910	110	150	03.05-11.11	■	

LISTA DE APLICACIONES - BUYERS GUIDE

COMBO Mk II (C) (F25) 09.01-02.12					Box Body/MPV (LCVs-N1 Segment)			
1.4 i 16V (Z 14 XEP)	disc brak.rear axle	Gasolina	FWD	1364	66	90	01.04-11.11	■
1.4 16V (Z 14 XE)	disc brak.rear axle	Gasolina	FWD	1389	66	90	10.01-05.07	■
1.6 (Z 16 SE)	disc brak.rear axle	Gasolina	FWD	1598	62	84	09.01-10.04	■
1.6 (Z 16 SE)	disc brak.rear axle	Gasolina	FWD	1598	64	87	10.01-11.11	■
1.6 CNG 16V (Y 16 YNG)	disc brak.rear axle	Gasol./Gas (CNG)	FWD	1598	69	94	06.06-02.12	■
1.6 CNG 16V (Z 16 YNG)	disc brak.rear axle	Gasol./Gas (CNG)	FWD	1598	69	94	06.06-02.12	■
1.6 CNG 16V (Z 16 YNG)	disc brak.rear axle	Gasol./Gas (CNG)	FWD	1598	71	97	04.05-02.12	■
1.3 CDTI 16V (Y 13 DT)	disc brak.rear axle	Diesel	FWD	1248	51	69	09.04-02.12	■
1.3 CDTI 16V (Z 13 DT)	disc brak.rear axle	Diesel	FWD	1248	51	69	09.04-02.12	■
1.3 CDTI 16V (Z 13 DTJ)	disc brak.rear axle	Diesel	FWD	1248	55	75	10.05-11.11	■
1.7 DI 16V (Y 17 DTL)	disc brak.rear axle	Diesel	FWD	1686	48	65	09.01-11.11	■
1.7 DTI 16V (Y 17 DT)	disc brak.rear axle	Diesel	FWD	1686	55	75	10.01-11.11	■
1.7 CDTI 16V (Z 17 DTH)	disc brak.rear axle	Diesel	FWD	1686	74	101	12.04-11.11	■
COMBO TOUR Mk II (C) (F25) 09.01-02.12					MPV (Large MPV-M1 Segment)			
1.4 (Z 14 XEP)	disc brak.rear axle	Gasolina	FWD	1364	66	90	10.04-09.10	■
1.6 (Z 16 SE)	disc brak.rear axle	Gasolina	FWD	1598	64	87	10.01-06.04	■
1.6 CNG (Z 16 YNG)	disc brak.rear axle	Gasol./Gas (CNG)	FWD	1598	69	94	06.06-09.10	■
1.6 CNG (Z 16 YNG)	disc brak.rear axle	Gasol./Gas (CNG)	FWD	1598	71	97	04.05-02.12	■
1.3 CDTI 16V (Z 13 DT)	disc brak.rear axle	Diesel	FWD	1248	51	69	09.04-09.06	■
1.3 CDTI 16V (Z 13 DTJ)	disc brak.rear axle	Diesel	FWD	1248	55	75	07.06-02.12	■
1.7 DI 16V (Y 17 DTL)	disc brak.rear axle	Diesel	FWD	1686	48	65	09.01-06.04	■
1.7 DTI 16V (Y 17 DT)	disc brak.rear axle	Diesel	FWD	1686	55	75	10.01-02.12	■
1.7 CDTI 16V (Z 17 DTH)	disc brak.rear axle	Diesel	FWD	1686	74	101	12.04-09.10	■
CORSA Mk II (C) (X01) 08.00-04.07					Hatchback (Supermini car-B Segment)			
1.0 12V (F08, F68) (Z 10 XE)		Gasolina	FWD	973	43	58	09.00-10.03	■
1.0 12V (F08, F68) (Z 10 XEP)		Gasolina	FWD	998	44	60	11.03-10.06	■
1.2 16V (F08, F68) (Z 12 XE)		Gasolina	FWD	1199	55	75	09.00-10.06	■
1.2 Twinport (F08, F68) (Z 12 XEP)		Gasolina	FWD	1229	59	80	07.04-10.06	■
1.4 Twinport (F08, F68) (Z 14 XEP)		Gasolina	FWD	1364	66	90	06.03-10.06	■
1.6		Gasolina	FWD	1598	62	84	08.00-10.04	■
1.6 CNG		Gasolina	FWD	1598	69	92	05.03-10.06	■
1.2 16V Dualfuel (F08) (Z 12 XE)		Gasol./Gas (LPG)	FWD	1199	55	75	08.01-10.06	■
1.3 CDTI 16V (F08, F68) (Y 13 DT)		Diesel	FWD	1248	51	69	10.03-04.07	■
1.3 CDTI 16V (F08, F68) (Z 13 DT)		Diesel	FWD	1248	51	69	10.03-04.07	■
1.7 DI 16V (F08, F68) (Y 17 DTL)		Diesel	FWD	1686	48	65	08.00-09.06	■
1.7 DTI 16V (F08, F68) (Y 17 DT)		Diesel	FWD	1686	55	75	08.00-09.06	■
1.7 CDTI 16V (F08, F68) (Z 17 DTH)	01/04-, disc brak.rear axle	Diesel	FWD	1686	74	100	08.00-09.06	■
MERIVA Mk I (A) (X03) 01.03-06.10					MPV (Mini MPV-M1 Segment)			
1.4 16V Twinport (Z 14 XEP)	01/04-	Gasolina	FWD	1364	66	90	01.03-06.10	■
1.6 i (Z 16 SE)		Gasolina	FWD	1598	64	87	01.03-06.10	■
1.6 i 16V (Z 16 XE)		Gasolina	FWD	1598	74	100	01.03-09.05	■
1.6 i 16V Twinport (Z 16 XEP)	01/06-	Gasolina	FWD	1598	77	105	05.03-06.10	■
1.6 Turbo (Z 16 LET)		Gasolina	FWD	1598	132	180	05.06-06.10	■

LISTA DE APLICACIONES - BUYERS GUIDE

1.8 i 16V (Z 18 XE)		Gasolina	FWD	1796	92	125	05.03-06.10	■
1.3 CDTi (Y 13 DT)		Diesel	FWD	1248	51	69	04.05-06.10	■
1.3 CDTi (Z 13 DT)		Diesel	FWD	1248	51	69	04.05-06.10	■
1.3 CDTi (Z 13 DTJ)	01/06-	Diesel	FWD	1248	55	75	01.03-10.09	■
1.7 DTI (Y 17 DT)		Diesel	FWD	1686	55	75	06.03-06.10	■
1.7 CDTi (Z 17 DTH)	01/04-	Diesel	FWD	1686	74	100	09.03-06.08	■
1.7 CDTi		Diesel	RWD	1686	92	125	08.06-06.10	■
MERIVA Mk II (B) (S10) 06.10-				MPV (Mini MPV-M1 Segment)				
1.4 (A 14 NEL)		Gasolina	FWD	1364	88	120	06.10-10.13	■
1.4 (B 14 NEL)		Gasolina	FWD	1364	88	120	06.10-10.13	■
1.4 (A 14 NET)		Gasolina	FWD	1364	103	140	06.10-10.13	■
1.4 (B 14 NET)		Gasolina	FWD	1364	103	140	06.10-10.13	■
1.4 (A 14 XER)		Gasolina	FWD	1398	74	101	06.10-03.17	■
1.4 (B 14 XER)		Gasolina	FWD	1398	74	101	06.10-03.17	■
1.4 LPG (A 14 NEL)		Gasol./Gas (LPG)	FWD	1364	88	120	06.11-03.17	■
1.3 CDTi (A 13 DTC)		Diesel	FWD	1248	55	75	06.10-10.13	■
1.3 CDTi (A 13 DTE)		Diesel	FWD	1248	70	95	06.10-11.14	■
1.7 CDTi (A 17 DT)		Diesel	FWD	1686	74	101	06.10-01.17	■
1.7 CDTi (A 17 DTS)		Diesel	FWD	1686	96	131	06.10-10.13	■
ZAFIRA Mk I (A) (T98) 11.98-08.05				MPV (Compact MPV-M1 Segment)				
1.6 16V (X 16 XEL)	disc brak.rear axle	Gasolina	FWD	1598	74	101	04.99-08.05	■
1.6 16V (Z 16 XE)	disc brak.rear axle	Gasolina	FWD	1598	74	101	04.99-08.05	■
1.8 16V (X 18 XE1)		Gasolina	FWD	1796	85	116	05.99-08.00	■
1.8 16V (Z 18 XE)		Gasolina	FWD	1796	92	125	09.00-08.05	■
2.0 GSI Turbo (Z 20 LET)		Gasolina	FWD	1998	141	192	09.01-06.05	■
2.0 (Z 20 LET)		Gasolina	FWD	1998	147	199	06.02-06.05	■
2.2 16V (Z 22 SE)	01/01-	Gasolina	FWD	2198	108	147	11.98-08.04	■
1.6 Dualfuel (X 16 XEL)	disc brak.rear axle	Gasol./Gas (LPG)	FWD	1598	74	101	11.98-08.05	■
1.8 Dualfuel (Z 18 XE)		Gasol./Gas (LPG)	FWD	1796	92	125	09.00-08.05	■
1.6 CNG (Z 16 YNG)	disc brak.rear axle	Gasol./Gas (CNG)	FWD	1598	71	97	09.01-06.05	■
2.0 DI 16V (X 20 DTL)		Diesel	FWD	1995	60	82	10.99-08.05	■
2.0 DTI 16V (Y 20 DTH)	01/01-	Diesel	FWD	1995	74	101	04.99-08.05	■
ZAFIRA Mk II (B) (A05) 04.05-11.14				MPV (Compact MPV-M1 Segment)				
1.6 (Z 16 XE1)		Gasolina	FWD	1598	77	105	07.05-11.14	■
1.6 (Z 16 XEP)		Gasolina	FWD	1598	77	105	07.05-11.14	■
1.6 (A 16 XER)		Gasolina	FWD	1598	85	115	12.07-11.14	■
1.6 (Z 16 XER)		Gasolina	FWD	1598	85	115	12.07-11.14	■
1.8 (A 18 XER)		Gasolina	FWD	1796	103	140	04.05-11.14	■
1.8 (Z 18 XER)		Gasolina	FWD	1796	103	140	04.05-11.14	■
2.0 (Z 20 LER)		Gasolina	FWD	1998	147	200	07.05-11.14	■
2.0 (Z 20 LEH)		Gasolina	FWD	1998	176	240	01.06-11.14	■
2.2 (Z 22 YH)		Gasolina	FWD	2198	110	150	07.05-11.14	■
1.7 CDTi (A 17 DTJ)		Diesel	FWD	1686	81	110	04.09-11.14	■
1.7 CDTi (Z 17 DTJ)		Diesel	FWD	1686	81	110	04.09-11.14	■
1.9 CDTi (Z 19 DT)		Diesel	FWD	1910	88	120	07.05-11.14	■
1.9 CDTi (Z 19 DTH)		Diesel	FWD	1910	110	150	07.05-11.14	■