

LISTA DE APLICACIONES - BUYERS GUIDE

181634

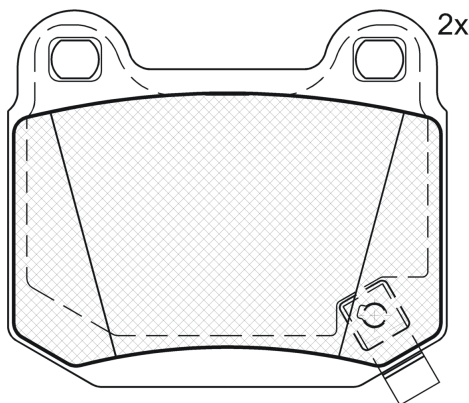
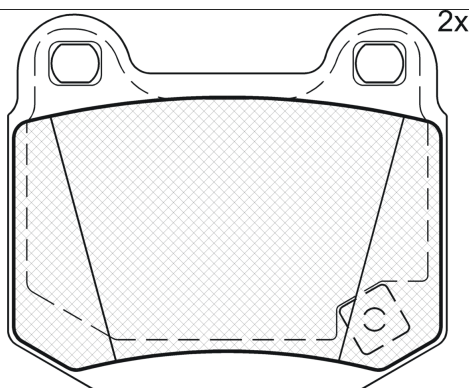


8 424073 089403

Qty: 944

Weight: 950

O.E.M.	MAKE
26696-FE000	SUBARU
26696-FE001	SUBARU
26696-FE080	SUBARU
26696-FG000	SUBARU
44060-CD026	NISSAN
44060-CD094	INFINITI
44060-EB323	NISSAN
46 05A 050	MITSUBISHI
46 05C 034	MITSUBISHI
D4060-CD01B	NISSAN
D40F0-CD00B	NISSAN
D40F0-CD01B	NISSAN
D40F0-CD026	NISSAN
D40F0-CD094	NISSAN
D4MFM-CD01J	NISSAN
MR 407 391	MITSUBISHI
SU003-07219	TOYOTA



181634

E 9 90R-01110/1154



Brembo

76.56x65.63x14.6

WVA	FMSI
21580	D961-7859
23323	
MAKE	
INFINITI	
MITSUBISHI	
NISSAN	
SUBARU	
TOYOTA	



Trac.	CC	Kw	CV			Front / Rear
-------	----	----	----	--	--	--------------

INFINITI

G III (V35 U.S.A.) 09.02-12.07						Coupe (Compact executive car-D Segment)			
3.5 (VQ35DE)		Gasolina	RWD	3498		191	260	01.03-12.06	■
G III (V35) 08.02-						Saloon (Compact executive car-D Segment)			
35 (VQ35DE)		Gasolina	RWD	3498		191	260	10.02-	■

MITSUBISHI

LANCER III-IV (CJ_, CP_, CK_) 09.95-12.03						Saloon (Compact car-C Segment)			
EVO VI (CP9A) (4G63 TURBO)	Europe	Gasolina	4WD	1997		206	280	01.99-02.01	■
LANCER IV / CEDIA (CS_A, CT_A) 01.00-12.13						Saloon (Compact car-C Segment)			
EVO VIII - 260 (CT9A) (4G63 TURBO)		Gasolina	4WD	1997		195	265	03.04-07.05	■
EVO IX (CT9A) (4G63 TURBO)		Gasolina	4WD	1997		206	280	01.05-09.07	■
EVO VII (CT9A) (4G63 TURBO)		Gasolina	4WD	1997		206	280	01.01-01.03	■
EVO VIII (CT9A) (4G63 TURBO)		Gasolina	4WD	1997		206	280	04.03-03.05	■
EVO IX (CT9A) (4G63 TURBO)		Gasolina	4WD	1997		213	290	08.05-09.06	■
EVO VIII - FQ-300 (CT9A) (4G63 TURBO)		Gasolina	4WD	1997		225	305	04.03-04.04	■
EVO IX - FQ-300 (CT9A) (4G63 TURBO)		Gasolina	4WD	1997		227	309	06.05-12.06	■
EVO VIII - FQ-300 (CT9A) (4G63 TURBO)		Gasolina	4WD	1997		227	309	04.03-04.04	■
EVO VIII - FQ-320 (CT9A) (4G63 TURBO)		Gasolina	4WD	1997		243	330	04.04-08.06	■
EVO VIII - FQ-330 (CT9A) (4G63 TURBO)		Gasolina	4WD	1997		246	334	10.03-08.06	■
EVO VIII - FQ-340 (CT9A) (4G63 TURBO)		Gasolina	4WD	1997		255	347	04.04-03.05	■
EVO IX - FQ-340 (CT9A) (4G63 TURBO)		Gasolina	4WD	1997		257	350	06.05-12.07	■
EVO IX		Gasolina	4WD	1997		269	366	07.06-10.08	■
EVO IX - FQ-360 (CT9A) (4G63 TURBO)		Gasolina	4WD	1997		273	371	07.06-12.07	■

LISTA DE APLICACIONES - BUYERS GUIDE

EVO VIII - FQ-400 (CT9A) (4G63 TURBO)		Gasolina	4WD	1997	302	411	10.04-08.06	■
NISSAN								
350 Z / FAIRLADY Z (Z33) 09.02-					Coupe (Compact car-C Segment)			
3.5 V6 24V 18"	01/07-	Gasolina	FWD	3495	225	306	09.02-	■
3.5 (AAZ33) (VQ35DE)	01/04-	Gasolina	RWD	3498	206	280	10.03-12.06	■
3.5 (VQ35DE)		Gasolina	RWD	3498	214	291	11.04-01.07	■
3.5 (AAZ33) (VQ35DE)		Gasolina	RWD	3498	221	301	09.02-12.08	■
3.5 (BAZ33) (VQ35HR)		Gasolina	RWD	3498	230	313	09.05-12.08	■
350Z / FAIRLADY Z (Z33) 09.02-12.09					Convertible (Compact car-C Segment)			
3.5 (AAZ33) (VQ35DE)	-12/05	Gasolina	RWD	3498	206	280	03.05-12.07	■
3.5 (AAZ33) (VQ35DE)		Gasolina	RWD	3498	221	301	11.04-01.07	■
3.5 (BAZ33) (VQ35HR)	01/07-	Gasolina	RWD	3498	230	313	09.05-12.09	■
SKYLINE VII (R31) 08.85-12.90					Estate (Executive car-E Segment)			
3.0 Turbo	01/90-	Gasolina	FWD	2995			08.85-	■
SUBARU								
BRZ (ZC6) 06.12-					Coupe (Sports car-S Segment)			
2.0 (ZC6) (FA20D)		Gasolina	RWD	1998	147	200	06.12-	■
FORESTER IV (SJ_) 11.12-					SUV (Compact SUV-J Segment)			
2.0 D AWD (SJD) (EE20Z)		Diesel	4WD	1998	108	147	03.13-	■
IMPREZA II (GD) 09.99-					Saloon (Compact car-C Segment)			
2.0 WRX STi AWD (GDB) (EJ207)		Gasolina	4WD	1994	195	265	11.01-07.05	■
2.0 WRX STi Prodrive Performance Package AWD (EJ207)		Gasolina	4WD	1994	224	305	04.01-10.02	■
2.0 WRX STi AWD (EJ207)		Gasolina	4WD	1994	235	320	02.04-07.05	■
2.5 WRX STi AWD (GDF) (EJ257)		Gasolina	4WD	2457	206	280	09.05-12.07	■
2.5 AWD (GDF) (EJ257)		Gasolina	4WD	2457	221	300	10.05-03.07	■
IMPREZA III (GR, GH, G3) 03.07-					Hatchback (Compact car-C Segment)			
2.5 WRX S AWD (EJ255)		Gasolina	4WD	2457	188	255	02.09-12.10	■
2.5 WRX STi AWD (GRF) (EJ257)		Gasolina	4WD	2457	221	301	01.08-08.13	■
2.5 AWD		Gasolina	4WD	2457	228	310	09.10-08.13	■
2.5 STi CS400 AWD (GRF) (EJ257)		Gasolina	4WD	2457	294	400	04.10-08.13	■
IMPREZA III (GE, GV) 01.07-					Saloon (Compact car-C Segment)			
2.5 WRX STi AWD (GVF) (EJ257)		Gasolina	4WD	2457	221	301	01.11-	■
2.5 AWD (GVB)		Gasolina	4WD	2457	228	310	09.10-12.15	■
2.5 AWD (EJ257)		Gasolina	4WD	2457	235	320	02.07-12.07	■
IMPREZA IV / WRX (GJ_) 07.11-					Saloon (Compact car-C Segment)			
2.5 WRX SE		Gasolina	FWD	2457	195	265	06.12-	■
2.5 WRX STi		Gasolina	FWD	2457	224	305	06.12-	■
2.5 WRX		Gasolina	FWD	2458	171	233	09.12-	■
WRX / IMPREZA IV (GP) 10.10-12.14					Hatchback (Compact car-C Segment)			
STi 2.5 AWD		Gasolina	4WD	2457	221	300	10.10-12.14	■
WRX / IMPREZA IV (GJ) 07.11-					Saloon (Compact car-C Segment)			
STi 2.5 AWD (EJ257)		Gasolina	4WD	2457	221	301	06.14-	■
TOYOTA								
GT 86 / 86 / TOYOTA 86 (ZN6_) 03.12-					Coupe (Sports car-S Segment)			
2.0 GT (ZN6EY_)		Gasolina	FWD	1998	153	208	08.16-	■