

LISTA DE APLICACIONES - BUYERS GUIDE

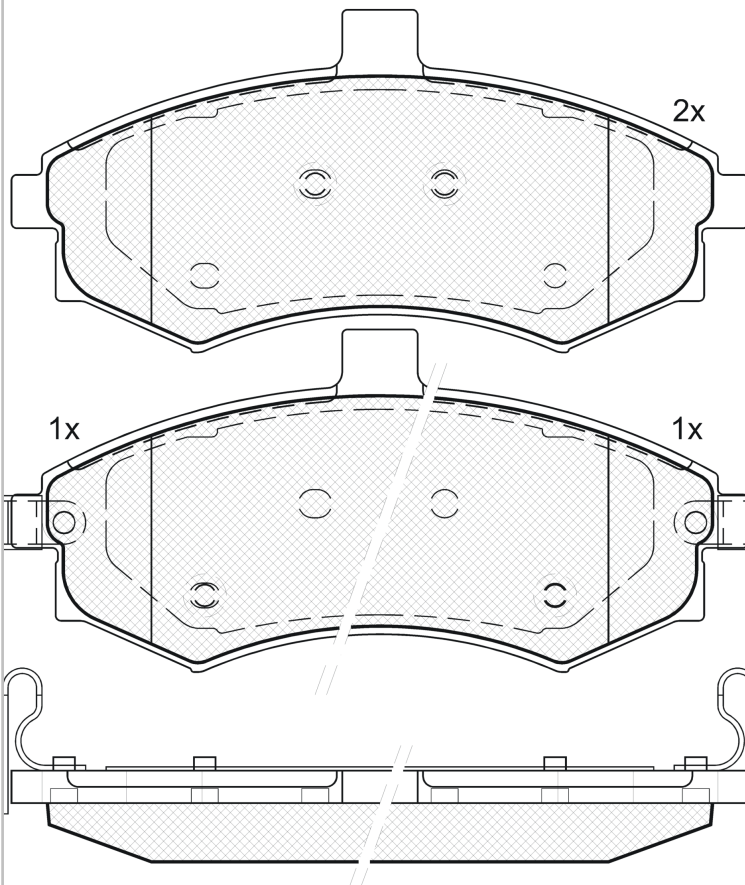
181643



8 424073 090744

Qty: 300

Weight: 1.570



181643

E 9 90R-01111/1115



Mando

136.8x63.6x17.6

O.E.M.	MAKE
58101-17A10	HYUNDAI
58101-2D050	HYUNDAI
58101-2DA00	HYUNDAI
58101-2DA30	HYUNDAI
58101-2DA31	HYUNDAI
58101-2DA40	HYUNDAI
58101-2DA60	HYUNDAI
58101-2FA00	HYUNDAI
58101-2FA01	HYUNDAI
58101-2SA31	HYUNDAI

WVA	FMSI
24031	D941-7843
24032	
24033	

MAKE
HYUNDAI
KIA



Trac.	CC	Kw	CV
-------	----	----	----



Front / Rear

HYUNDAI

								Hatchback (Compact car-C Segment)
ELANTRA III / AVANTE (XD) 03.00-08.06								
1.6 (G4GR)	01/01-	Gasolina	FWD	1599	66	90	06.00-07.06	■
1.6 (G4ED)		Gasolina	FWD	1599	77	105	05.03-07.06	■
1.6 (G4ED)	01/01-	Gasolina	FWD	1599	79	107	06.00-07.06	■
1.6 (G4GA)		Gasolina	FWD	1599	82	112	09.03-07.06	■
1.8 (G4BB)	01/01-	Gasolina	FWD	1795	79	107	06.00-07.03	■
1.8 (G4BB)	01/01-	Gasolina	FWD	1795	97	132	06.00-07.06	■
1.8 (G4GB)	01/01-	Gasolina	FWD	1795	97	132	06.00-07.06	■
2.0 (G4GC-G)	01/01-	Gasolina	FWD	1975	102	139	06.00-07.06	■
2.0 (G4GC)	01/01-	Gasolina	FWD	1975	104	141	06.00-07.06	■
2.0 CRDi (D4EA)	-12/03	Diesel	FWD	1991	83	113	04.01-07.06	■
ELANTRA III / AVANTE (XD) 03.00-07.07								Saloon (Compact car-C Segment)
1.6 (G4GR)		Gasolina	FWD	1599	66	90	06.00-07.06	■
1.6 (G4ED)		Gasolina	FWD	1599	77	105	05.03-05.06	■
1.6 (G4ED)	01/01-	Gasolina	FWD	1599	79	107	06.00-07.06	■
1.8 (G4BB)	01/01-	Gasolina	FWD	1795	79	107	06.00-07.03	■
1.8		Gasolina	FWD	1795	93	127	06.04-07.06	■
1.8 (G4BB)	01/01-	Gasolina	FWD	1795	97	132	06.00-07.06	■
1.8 (G4GB)	01/01-	Gasolina	FWD	1795	97	132	06.00-07.06	■
2.0 (G4GC-G)	01/01-	Gasolina	FWD	1975	102	139	06.00-07.06	■
2.0 (G4GC)	01/01-	Gasolina	FWD	1975	104	141	06.00-07.06	■
2.0 CRDi (D4EA)	-12/03	Diesel	FWD	1991	83	113	04.01-07.06	■

LISTA DE APLICACIONES - BUYERS GUIDE

MATRIX / ELANTRA / LAVITA (FC) 06.01-08.10					MPV (Compact MPV-M1 Segment)			
1.6 (G4ED)		Gasolina	FWD	1599	66	90	01.02-12.05	■
1.6 (G4ED)	01/02-	Gasolina	FWD	1599	76	103	06.01-08.10	■
1.8 (G4GB)	01/02-	Gasolina	FWD	1795	90	122	06.01-08.10	■
1.5 CRDi (D3EA)	01/02-	Diesel	FWD	1493	60	82	10.01-08.10	■
1.5 CRDi (D4FA)		Diesel	FWD	1493	75	102	12.04-08.10	■
1.5 CRDi VGT (D4FA)		Diesel	FWD	1493	81	110	08.05-08.10	■
KIA								
CERATO / SPECTRA (LD) 03.04-					Hatchback (Compact car-C Segment)			
1.6 (G4FC)	vehicles without ABS	Gasolina	FWD	1591	90	122	05.06-06.09	■
CERATO / SPECTRA (LD) 04.04-12.11					Saloon (Compact car-C Segment)			
1.6 (G4FC)		Gasolina	FWD	1591	90	122	05.06-12.09	■