

LISTA DE APLICACIONES - BUYERS GUIDE

181650-703

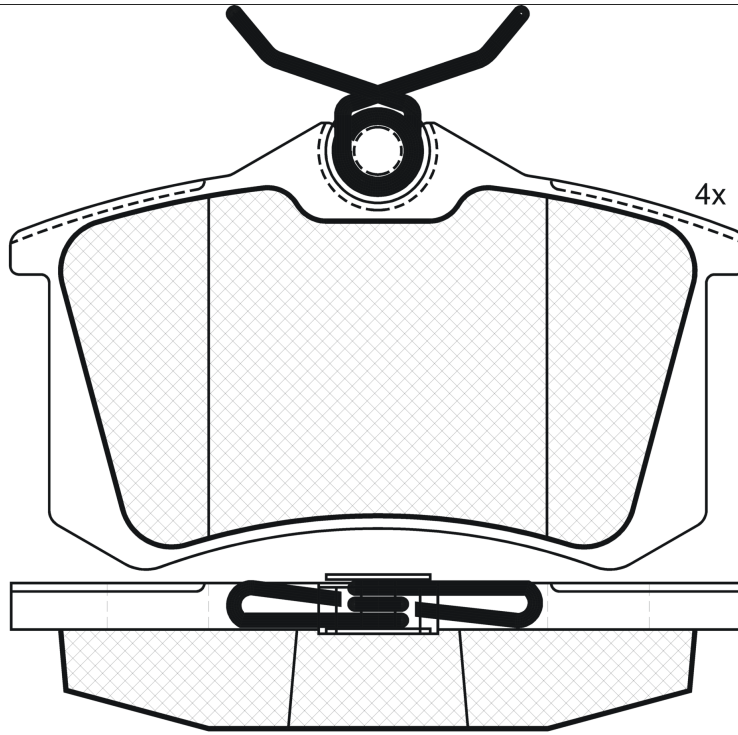


8 424073 090881

Qty: 944

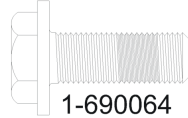
Weight: 935

O.E.M.	MAKE
16 070 832 80	PEUGEOT
16 092 528 80	PEUGEOT
16 168 726 80	PEUGEOT
16 197 906 80	PEUGEOT
4253.96	PEUGEOT
4254.20	PEUGEOT
44 06 008 19R	RENAULT
44 06 020 70R	RENAULT
44 06 024 66R	RENAULT
44 06 035 11R	RENAULT
44 06 035 30R	RENAULT
44 06 057 13R	RENAULT
44 06 058 39R	RENAULT
44 06 064 18R	RENAULT
44 06 073 24R	RENAULT
44 06 079 60R	RENAULT
44 06 613 32R	RENAULT
60 25 371 650	RENAULT
77 01 207 695	RENAULT
77 01 208 213	RENAULT
77 01 208 416	RENAULT
77 01 208 421	RENAULT
77 01 209 735	RENAULT
77 01 209 841	RENAULT
8E0 698 451 B	AUDI



181650-703

4x



1-690064

181650-703

E 9 90R-01110/1056



Lucas - Girling

87x52.8x16.4

WVA	FMSI
23554	D1112-7773
	D1112-8216
	D1798-9029

MAKE
AUDI
CITROËN
CITROËN (DF-PSA)
DS
NISSAN
OPEL
PEUGEOT
PEUGEOT (DF-PSA)
RENAULT
SEAT
VAUXHALL
VW
ZOTYE



Trac.	CC	Kw	CV
-------	----	----	----



Front / Rear

AUDI

A4 (U.S.A. B5) 12.94-12.01

Saloon (Compact executive car-D Segment)

Engine	Year	Fuel	Drive	CC	Kw	CV	Price	Availability
1.8 20V	01/03-	Gasolina	FWD	1795			12.94-	■
1.8 20V	01/00-	Gasolina	FWD	1795			12.94-	■
1.8 20V	01/02-	Gasolina	FWD	1795			12.94-	■
1.8 20V	01/03-	Gasolina	FWD	1795			12.94-	■
1.8 20V Quattro	01/02-	Gasolina	FWD	1795			12.94-	■
1.8 20V Quattro	01/02-	Gasolina	FWD	1795			12.94-	■
2.0	01/05-	Gasolina	FWD	1995			12.94-	■
2.0 16V quattro	01/05-	Gasolina	FWD	1995			12.94-	■
2.0 16V quattro	01/05-	Gasolina	FWD	1995			12.94-	■
2.8 30V	01/01-	Gasolina	FWD	2795			12.94-	■
2.8 30V	01/02-	Gasolina	FWD	2795			12.94-	■
3.0 30V	01/03-	Gasolina	FWD	2995			12.94-	■
3.0 30V	01/05-	Gasolina	FWD	2995			12.94-	■
3.0 30V	01/02-	Gasolina	FWD	2995			12.94-	■
3.0 30V	01/05-	Gasolina	FWD	2995			12.94-	■
3.0 30V	01/04-	Gasolina	FWD	2995			12.94-	■
3.0 30V	01/05-	Gasolina	FWD	2995			12.94-	■
3.0 30V Quattro	01/02-	Gasolina	FWD	2995			12.94-	■
3.0 30V Quattro	01/05-	Gasolina	FWD	2995			12.94-	■
3.0 30V Quattro	01/02-	Gasolina	FWD	2995			12.94-	■
3.0 30V Quattro	01/05-	Gasolina	FWD	2995			12.94-	■

LISTA DE APLICACIONES - BUYERS GUIDE

A4 II B6 (8H7) 01.02-12.09					Convertible (Compact executive car-D Segment)			
1.8 T (BFB)		Gasolina	FWD	1781	120	163	07.02-12.05	■
1.8 T quattro (BFB)		Gasolina	4WD	1781	120	163	05.03-12.05	■
1.8 T (AMB)		Gasolina	FWD	1781	125	170	10.02-10.05	■
2.0 (ALT)		Gasolina	FWD	1984	96	130	09.04-12.05	■
2.4 (AMM)		Gasolina	FWD	2393	120	163	04.02-12.05	■
2.4 (BDV)		Gasolina	FWD	2393	125	170	04.02-12.05	■
3.0 (BBJ)		Gasolina	FWD	2976	160	218	04.02-12.05	■
3.0 (ASN)		Gasolina	FWD	2976	162	220	04.02-12.05	■
3.0 (AVK)		Gasolina	FWD	2976	162	220	04.02-12.05	■
3.0 (BGN)		Gasolina	FWD	2976	162	220	04.02-12.05	■
3.0 quattro (ASN)		Gasolina	4WD	2976	162	220	05.03-12.05	■
3.0 quattro (AVK)		Gasolina	4WD	2976	162	220	05.03-12.05	■
3.0 quattro (BGN)		Gasolina	4WD	2976	162	220	05.03-12.05	■
2.5 TDI (BCZ)		Diesel	FWD	2496	120	163	08.02-12.05	■
2.5 TDI (BDG)		Diesel	FWD	2496	120	163	08.02-12.05	■
2.5 TDI (BFC)		Diesel	FWD	2496	120	163	08.02-12.05	■
A4 II B6 (8E2) 11.00-12.05					Saloon (Compact executive car-D Segment)			
1.6 (ALZ)		Gasolina	FWD	1595	75	102	11.00-12.04	■
1.8 T (AVJ)		Gasolina	FWD	1781	110	150	11.00-07.02	■
1.8 T quattro (AVJ)		Gasolina	4WD	1781	110	150	11.00-07.02	■
1.8 T (BFB)		Gasolina	FWD	1781	120	163	07.02-12.04	■
1.8 T quattro (BFB)		Gasolina	4WD	1781	120	163	07.02-12.04	■
1.8 T (AMB)	PR 1KP, discØ 255 PR 1KD, discØ 245	Gasolina	FWD	1781	125	170	07.01-12.04	■
1.8 T quattro (AMB)		Gasolina	4WD	1781	125	170	07.01-12.04	■
1.8 T quattro (AWM)		Gasolina	4WD	1781	125	170	07.01-12.04	■
1.8 T (BEX)		Gasolina	FWD	1781	140	190	11.02-12.04	■
1.8 T quattro (BEX)		Gasolina	4WD	1781	140	190	11.02-12.04	■
2.0 (ALT)		Gasolina	FWD	1984	96	130	11.00-12.04	■
2.0 FSI (AWA)		Gasolina	FWD	1984	110	150	07.02-12.04	■
2.4 (AMM)		Gasolina	FWD	2393	120	163	09.01-12.04	■
2.4 (BDV)		Gasolina	FWD	2393	125	170	09.01-12.04	■
3.0 (BBJ)		Gasolina	FWD	2976	160	218	04.01-12.04	■
3.0 quattro (BBJ)		Gasolina	4WD	2976	160	218	04.01-12.04	■
3.0 (ASN)		Gasolina	FWD	2976	162	220	11.00-12.04	■
3.0 (AVK)		Gasolina	FWD	2976	162	220	11.00-12.04	■
3.0 quattro (ASN)		Gasolina	4WD	2976	162	220	11.00-12.04	■
3.0 quattro (AVK)		Gasolina	4WD	2976	162	220	11.00-12.04	■
1.9 TDI (AVB)		Diesel	FWD	1896	74	101	05.01-12.04	■
1.9 TDI (BKE)		Diesel	FWD	1896	85	116	06.04-12.04	■
1.9 TDI (AVF)		Diesel	FWD	1896	96	130	11.00-12.04	■
1.9 TDI (AWX)		Diesel	FWD	1896	96	130	11.00-12.04	■
1.9 TDI quattro (AVF)		Diesel	4WD	1896	96	130	11.01-12.04	■
2.5 TDI (AYM)		Diesel	FWD	2496	114	155	08.01-07.02	■
2.5 TDI (BCZ)		Diesel	FWD	2496	120	163	07.02-12.04	■
2.5 TDI (BDG)		Diesel	FWD	2496	120	163	07.02-12.04	■
2.5 TDI (BFC)		Diesel	FWD	2496	120	163	07.02-12.04	■
2.5 TDI quattro (AKE)		Diesel	4WD	2496	132	180	11.00-12.04	■
2.5 TDI quattro (BAU)		Diesel	4WD	2496	132	180	11.00-12.04	■
2.5 TDI quattro (BDH)		Diesel	4WD	2496	132	180	11.00-12.04	■

LISTA DE APLICACIONES - BUYERS GUIDE

A4 II B6 Avant (8E5) 02.00-12.05					Estate (Compact executive car-D Segment)			
1.6 (ALZ)		Gasolina	FWD	1595	75	102	09.01-12.04	■
1.8 T (AVJ)		Gasolina	FWD	1781	110	150	09.01-07.02	■
1.8 T quattro (AVJ)		Gasolina	4WD	1781	110	150	09.01-07.02	■
1.8 T (BFB)		Gasolina	FWD	1781	120	163	07.02-12.04	■
1.8 T quattro (BFB)		Gasolina	4WD	1781	120	163	07.02-12.04	■
1.8 T quattro (AMB)	PR 1KP, discØ 255 PR 1KD, discØ 245	Gasolina	4WD	1781	125	170	09.01-12.04	■
1.8 T (BEX)		Gasolina	FWD	1781	140	190	11.02-12.04	■
1.8 T quattro (BEX)		Gasolina	4WD	1781	140	190	11.02-12.04	■
2.0 (ALT)		Gasolina	FWD	1984	96	130	09.01-12.04	■
2.0 FSI (AWA)		Gasolina	FWD	1984	110	150	07.02-12.04	■
2.4 (AMM)		Gasolina	FWD	2393	120	163	09.01-12.04	■
2.4 (BDV)		Gasolina	FWD	2393	125	170	09.01-12.04	■
3.0 (BBJ)		Gasolina	FWD	2976	160	218	04.01-12.04	■
3.0 quattro (BBJ)		Gasolina	4WD	2976	160	218	04.01-12.04	■
3.0 (ASN)		Gasolina	FWD	2976	162	220	09.01-12.04	■
3.0 quattro (ASN)		Gasolina	4WD	2976	162	220	09.01-12.04	■
3.0 quattro (AVK)		Gasolina	4WD	2976	162	220	09.01-12.04	■
1.9 TDI (AVB)		Diesel	FWD	1896	74	101	11.01-12.04	■
1.9 TDI (BKE)		Diesel	FWD	1896	85	116	06.04-12.04	■
1.9 TDI (AVF)		Diesel	FWD	1896	96	130	09.01-12.04	■
1.9 TDI (AWX)		Diesel	FWD	1896	96	130	09.01-12.04	■
1.9 TDI quattro (AVF)		Diesel	4WD	1896	96	130	11.01-12.04	■
2.5 TDI (AYM)		Diesel	FWD	2496	114	155	09.01-07.02	■
2.5 TDI (BCZ)		Diesel	FWD	2496	120	163	07.02-12.04	■
2.5 TDI (BDG)		Diesel	FWD	2496	120	163	07.02-12.04	■
2.5 TDI (BFC)		Diesel	FWD	2496	120	163	07.02-12.04	■
2.5 TDI quattro (AKE)		Diesel	4WD	2496	132	180	09.01-12.04	■
2.5 TDI quattro (BAU)		Diesel	4WD	2496	132	180	09.01-12.04	■
2.5 TDI quattro (BDH)		Diesel	4WD	2496	132	180	09.01-12.04	■
A4 III B7 Avant (8ED) 11.04-11.08					Estate (Compact executive car-D Segment)			
1.6 (ALZ)	-12/07	Gasolina	FWD	1595	75	102	11.04-06.08	■
1.8 T (BFB)	-12/07	Gasolina	FWD	1781	120	163	11.04-06.08	■
1.8 T quattro (BFB)	-12/07	Gasolina	4WD	1781	120	163	11.04-06.08	■
2.0 (ALT)	-12/07	Gasolina	FWD	1984	96	130	11.04-06.08	■
2.0 FSI		Gasolina	FWD	1984	110	150	01.05-07.05	■
2.0 TFSI (BPJ)	-12/07	Gasolina	FWD	1984	125	170	10.06-06.08	■
2.0 TFSI (BYK)	-12/07	Gasolina	FWD	1984	125	170	10.06-06.08	■
2.0 TFSI (BGB)	-12/07	Gasolina	FWD	1984	147	200	11.04-06.08	■
2.0 TFSI (BPG)	-12/07	Gasolina	FWD	1984	147	200	11.04-06.08	■
2.0 TFSI (BWE)	-12/07	Gasolina	FWD	1984	147	200	11.04-06.08	■
2.0 TFSI quattro (BGB)	-12/07	Gasolina	4WD	1984	147	200	11.04-06.08	■
2.0 TFSI quattro (BPG)	-12/07	Gasolina	4WD	1984	147	200	11.04-06.08	■
2.0 TFSI quattro (BWE)	-12/07	Gasolina	4WD	1984	147	200	11.04-06.08	■
2.0 TFSI quattro (BWT)	-12/07	Gasolina	4WD	1984	147	200	11.04-06.08	■
2.0 TFSI (BUL)	-12/07	Gasolina	FWD	1984	162	220	06.05-06.08	■
2.0 TFSI quattro (BUL)	-12/07	Gasolina	4WD	1984	162	220	06.05-06.08	■
3.0 (BBJ)		Gasolina	FWD	2976	160	218	11.04-05.06	■
3.0 quattro (BBJ)		Gasolina	4WD	2976	160	218	11.04-07.06	■
3.2 FSI (AUK)	-12/07	Gasolina	FWD	3123	188	255	01.05-06.08	■

LISTA DE APLICACIONES - BUYERS GUIDE

3.2 FSI quattro (AUK)	-12/07	Gasolina	4WD	3123	188	255	01.05-06.08	■	
3.2 FSI quattro (BKH)	-12/07	Gasolina	4WD	3123	188	255	01.05-06.08	■	
1.9 TDI (BKE)	-12/07	Diesel	FWD	1896	85	116	11.04-06.08	■	
1.9 TDI (BRB)	-12/07	Diesel	FWD	1896	85	116	11.04-06.08	■	
2.0 TDI (BVG)		Diesel	FWD	1968	89	121	09.05-09.06	■	
2.0 TDI (BVF)		Diesel	FWD	1968	93	126	11.05-11.06	■	
2.0 TDI (BNA)	-12/07	Diesel	FWD	1968	100	136	11.04-06.08	■	
2.0 TDI (BRF)	-12/07	Diesel	FWD	1968	100	136	11.04-06.08	■	
2.0 TDI (BPW)	-12/07	Diesel	FWD	1968	103	140	11.04-06.08	■	
2.0 TDI 16V (BLB)	-12/07	Diesel	FWD	1968	103	140	11.04-06.08	■	
2.0 TDI 16V (BRE)	-12/07	Diesel	FWD	1968	103	140	11.04-06.08	■	
2.0 TDI quattro (BPW)	-12/07	Diesel	4WD	1968	103	140	01.06-06.08	■	
2.0 TDI (BVA)	-12/07	Diesel	FWD	1968	120	163	06.06-06.08	■	
2.0 TDI quattro (BVA)	-12/07	Diesel	4WD	1968	120	163	06.06-06.08	■	
2.0 TDI (BRD)	-12/07	Diesel	FWD	1968	125	170	06.06-06.08	■	
2.0 TDI quattro (BRD)	-12/07	Diesel	4WD	1968	125	170	06.06-06.08	■	
2.5 TDI (BDG)		Diesel	FWD	2496	120	163	11.04-05.06	■	
2.7 TDI (BSG)		Diesel	FWD	2698	120	163	11.05-03.08	■	
2.7 TDI (BPP)	-12/07	Diesel	FWD	2698	132	180	01.06-06.08	■	
3.0 TDI quattro (BKN)	-12/07	Diesel	4WD	2967	150	204	11.04-06.08	■	
3.0 TDI quattro (ASB)	-12/07	Diesel	4WD	2967	171	233	01.06-06.08	■	
A4 III B7 (8HE) 01.02-01.10					Convertible (Compact executive car-D Segment)				
1.8 T		Gasolina	FWD	1781	120	163	01.06-03.09	■	
2.0 TDI (BRC)		Diesel	FWD	1968	100	136	01.06-03.09	■	
2.0 TDI (BPW)		Diesel	FWD	1968	103	140	01.06-03.09	■	
2.7 TDI (BPP)	-12/07	Diesel	FWD	2698	132	180	06.06-03.09	■	
A4 III B7 (8EC) 11.04-01.09					Saloon (Compact executive car-D Segment)				
1.6 (ALZ)	-12/07	Gasolina	FWD	1595	75	102	11.04-06.08	■	
1.8 T (BFB)	-12/07	Gasolina	FWD	1781	120	163	11.04-06.08	■	
1.8 T quattro (BFB)	-12/07	Gasolina	4WD	1781	120	163	11.04-06.08	■	
2.0 (ALT)	-12/07	Gasolina	FWD	1984	96	130	11.04-06.08	■	
2.0 FSI		Gasolina	FWD	1984	110	150	01.05-07.05	■	
2.0 TFSI (BPJ)	-12/07	Gasolina	FWD	1984	125	170	10.06-06.08	■	
2.0 TFSI (BYK)	-12/07	Gasolina	FWD	1984	125	170	10.06-06.08	■	
2.0 TFSI (BGB)	-12/07	Gasolina	FWD	1984	147	200	11.04-06.08	■	
2.0 TFSI (BPG)	-12/07	Gasolina	FWD	1984	147	200	11.04-06.08	■	
2.0 TFSI (BWE)	-12/07	Gasolina	FWD	1984	147	200	11.04-06.08	■	
2.0 TFSI (BWT)	-12/07	Gasolina	FWD	1984	147	200	11.04-06.08	■	
2.0 TFSI quattro (BGB)	-12/07	Gasolina	4WD	1984	147	200	11.04-06.08	■	
2.0 TFSI quattro (BPG)	-12/07	Gasolina	4WD	1984	147	200	11.04-06.08	■	
2.0 TFSI quattro (BWE)	-12/07	Gasolina	4WD	1984	147	200	11.04-06.08	■	
2.0 TFSI quattro (BWT)	-12/07	Gasolina	4WD	1984	147	200	11.04-06.08	■	
2.0 TFSI (BUL)	-12/07	Gasolina	FWD	1984	162	220	06.05-06.08	■	
2.0 TFSI quattro (BUL)	-12/07	Gasolina	4WD	1984	162	220	06.05-06.08	■	
3.0 (BBJ)		Gasolina	FWD	2976	160	218	11.04-05.06	■	
3.0 quattro (BBJ)		Gasolina	4WD	2976	160	218	11.04-07.06	■	
3.2 FSI (AUK)	-12/07	Gasolina	FWD	3123	188	255	01.05-06.08	■	
3.2 FSI quattro (AUK)	-12/07	Gasolina	4WD	3123	188	255	01.05-06.08	■	
3.2 FSI quattro (BKH)	-12/07	Gasolina	4WD	3123	188	255	01.05-06.08	■	
1.9 TDI (BKE)	-12/07	Diesel	FWD	1896	85	116	11.04-06.08	■	

LISTA DE APLICACIONES - BUYERS GUIDE

1.9 TDI (BRB)	-12/07	Diesel	FWD	1896	85	116	11.04-06.08	■
2.0 TDI (BVG)		Diesel	FWD	1968	89	121	09.05-09.06	■
2.0 TDI (BVF)		Diesel	FWD	1968	93	126	11.05-11.06	■
2.0 TDI (BNA)	-12/07	Diesel	FWD	1968	100	136	11.04-06.08	■
2.0 TDI (BRF)	-12/07	Diesel	FWD	1968	100	136	11.04-06.08	■
2.0 TDI (BPW)	-12/07	Diesel	FWD	1968	103	140	11.04-06.08	■
2.0 TDI 16V (BLB)	-12/07	Diesel	FWD	1968	103	140	11.04-06.08	■
2.0 TDI 16V (BRE)	-12/07	Diesel	FWD	1968	103	140	11.04-06.08	■
2.0 TDI quattro (BPW)	-12/07	Diesel	4WD	1968	103	140	01.06-06.08	■
2.0 TDI (BVA)	-12/07	Diesel	FWD	1968	120	163	06.06-06.08	■
2.0 TDI quattro (BVA)	-12/07	Diesel	4WD	1968	120	163	06.06-06.08	■
2.0 TDI (BRD)	-12/07	Diesel	FWD	1968	125	170	06.06-06.08	■
2.0 TDI quattro (BRD)	-12/07	Diesel	4WD	1968	125	170	06.06-06.08	■
2.5 TDI (BDG)		Diesel	FWD	2496	120	163	11.04-05.06	■
2.7 TDI (BSG)	01/06-	Diesel	FWD	2698	120	163	11.05-06.08	■
2.7 TDI (BPP)	-12/07	Diesel	FWD	2698	132	180	01.06-06.08	■
3.0 TDI quattro (BKN)	-12/07	Diesel	4WD	2967	150	204	11.04-06.08	■
3.0 TDI quattro (ASB)	-12/07	Diesel	4WD	2967	171	233	01.06-06.08	■

A6 II C5 Avant (4B5, 4B6) 11.97-01.06				Estate (Executive car-E Segment)				
1.8 T (AEB)		Gasolina	FWD	1781	110	150	12.97-01.05	■
1.8 T (ANB)		Gasolina	FWD	1781	110	150	12.97-01.05	■
1.8 T (APU)		Gasolina	FWD	1781	110	150	12.97-01.05	■
1.8 T (ARK)		Gasolina	FWD	1781	110	150	12.97-01.05	■
1.8 T (AWT)		Gasolina	FWD	1781	110	150	12.97-01.05	■
1.8 T quattro (AEB)		Gasolina	4WD	1781	110	150	12.97-01.05	■
1.8 T quattro (ANB)		Gasolina	4WD	1781	110	150	12.97-01.05	■
1.8 T quattro (APU)		Gasolina	4WD	1781	110	150	12.97-01.05	■
1.8 T quattro (ARK)		Gasolina	4WD	1781	110	150	12.97-01.05	■
1.8 T quattro (AWT)		Gasolina	4WD	1781	110	150	12.97-01.05	■
2.0 (ALT)		Gasolina	FWD	1984	96	130	08.01-01.05	■
2.4 (ALW)		Gasolina	FWD	2393	100	136	07.98-01.05	■
2.4 (ARN)		Gasolina	FWD	2393	100	136	07.98-01.05	■
2.4 (ASM)		Gasolina	FWD	2393	100	136	07.98-01.05	■
2.4 (AJG)		Gasolina	FWD	2393	120	163	12.97-01.05	■
2.4 (AMM)		Gasolina	FWD	2393	120	163	12.97-01.05	■
2.4 (APZ)		Gasolina	FWD	2393	120	163	12.97-01.05	■
2.4 (BDV)		Gasolina	FWD	2393	125	170	08.01-01.05	■
2.4 quattro (BDV)		Gasolina	4WD	2393	125	170	08.01-01.05	■
2.7 T quattro (ARE)		Gasolina	4WD	2671	184	250	08.01-01.05	■
2.7 T quattro (BES)		Gasolina	4WD	2671	184	250	08.01-01.05	■
3.0 (BBJ)		Gasolina	FWD	2976	160	218	06.01-01.05	■
3.0 quattro (BBJ)		Gasolina	4WD	2976	160	218	06.01-01.05	■
3.0 (ASN)		Gasolina	FWD	2976	162	220	08.01-01.05	■
3.0 quattro (ASN)		Gasolina	4WD	2976	162	220	08.01-01.05	■
4.2 quattro (ARS)		Gasolina	4WD	4172	220	299	11.98-01.05	■
4.2 quattro (ASG)		Gasolina	4WD	4172	220	299	11.98-01.05	■
S6 quattro (ANK)		Gasolina	4WD	4172	250	340	09.99-01.05	■
S6 quattro (AQJ)		Gasolina	4WD	4172	250	340	09.99-01.05	■
S6 quattro (BBD)		Gasolina	4WD	4172	250	340	09.99-01.05	■
1.9 TDI (AVF)		Diesel	FWD	1896	96	130	08.01-01.05	■
1.9 TDI (AWX)		Diesel	FWD	1896	96	130	08.01-01.05	■

LISTA DE APLICACIONES - BUYERS GUIDE

2.5 TDI (AFB)	06/01-	Diesel	FWD	2496	110	150	12.97-01.05	■
2.5 TDI (AKN)	06/01-	Diesel	FWD	2496	110	150	12.97-01.05	■
2.5 TDI quattro (AFB)	06/01-	Diesel	4WD	2496	110	150	12.97-01.05	■
2.5 TDI quattro (AKN)	06/01-	Diesel	4WD	2496	110	150	12.97-01.05	■
2.5 TDI (AYM)		Diesel	FWD	2496	114	155	08.01-01.05	■
2.5 TDI (BCZ)		Diesel	FWD	2496	120	163	07.02-01.05	■
2.5 TDI (BDG)		Diesel	FWD	2496	120	163	07.02-01.05	■
2.5 TDI (BFC)		Diesel	FWD	2496	120	163	07.02-01.05	■
2.5 TDI (AKE)	06/01-	Diesel	FWD	2496	132	180	02.00-01.05	■
2.5 TDI (BAU)	06/01-	Diesel	FWD	2496	132	180	02.00-01.05	■
2.5 TDI (BDH)	06/01-	Diesel	FWD	2496	132	180	02.00-01.05	■
2.5 TDI quattro (AKE)	06/01-	Diesel	4WD	2496	132	180	02.00-01.05	■
2.5 TDI quattro (BAU)	06/01-	Diesel	4WD	2496	132	180	02.00-01.05	■
2.5 TDI quattro (BDH)	06/01-	Diesel	4WD	2496	132	180	02.00-01.05	■
A6 II C5 (4B2, 4B4) 01.97-12.05				Saloon (Executive car-E Segment)				
1.8 T (AEB)		Gasolina	FWD	1781	110	150	01.97-01.05	■
1.8 T (ANB)		Gasolina	FWD	1781	110	150	01.97-01.05	■
1.8 T (APU)		Gasolina	FWD	1781	110	150	01.97-01.05	■
1.8 T (ARK)		Gasolina	FWD	1781	110	150	01.97-01.05	■
1.8 T (AWT)		Gasolina	FWD	1781	110	150	01.97-01.05	■
1.8 T quattro (AEB)		Gasolina	4WD	1781	110	150	02.97-01.05	■
1.8 T quattro (ANB)		Gasolina	4WD	1781	110	150	02.97-01.05	■
1.8 T quattro (APU)		Gasolina	4WD	1781	110	150	02.97-01.05	■
1.8 T quattro (ARK)		Gasolina	4WD	1781	110	150	02.97-01.05	■
1.8 T quattro (AWT)		Gasolina	4WD	1781	110	150	02.97-01.05	■
2.0 (ALT)		Gasolina	FWD	1984	96	130	08.01-01.05	■
2.4 (ALW)		Gasolina	FWD	2393	100	136	07.98-01.05	■
2.4 (ARN)		Gasolina	FWD	2393	100	136	07.98-01.05	■
2.4 (ASM)		Gasolina	FWD	2393	100	136	07.98-01.05	■
2.4 (AJG)		Gasolina	FWD	2393	120	163	02.97-01.05	■
2.4 (AMM)		Gasolina	FWD	2393	120	163	02.97-01.05	■
2.4 (APZ)		Gasolina	FWD	2393	120	163	02.97-01.05	■
2.4 (BDV)		Gasolina	FWD	2393	125	170	08.01-01.05	■
2.4 quattro (BDV)		Gasolina	4WD	2393	125	170	08.01-01.05	■
2.7 T quattro (ARE)		Gasolina	4WD	2671	184	250	08.01-01.05	■
2.7 T quattro (BES)		Gasolina	4WD	2671	184	250	08.01-01.05	■
2.7 quattro (APB)	PR 1KD	Gasolina	4WD	2671	187	254	05.01-07.04	■
2.7 quattro (BEL)	PR 1KD	Gasolina	4WD	2671	187	254	05.01-07.04	■
3.0 (BBJ)		Gasolina	FWD	2976	160	218	06.01-01.05	■
3.0 quattro (BBJ)		Gasolina	4WD	2976	160	218	06.01-07.04	■
3.0 (ASN)		Gasolina	FWD	2976	162	220	08.01-01.05	■
3.0 quattro (ASN)		Gasolina	4WD	2976	162	220	08.01-01.05	■
4.2 quattro (ARS)		Gasolina	4WD	4172	220	299	11.98-01.05	■
4.2 quattro (ART)		Gasolina	4WD	4172	220	299	11.98-01.05	■
4.2 quattro (ASG)		Gasolina	4WD	4172	220	299	11.98-01.05	■
4.2 quattro (AWN)		Gasolina	4WD	4172	220	299	11.98-01.05	■
S6 quattro (ANK)		Gasolina	4WD	4172	250	340	09.99-01.05	■
S6 quattro (AQJ)		Gasolina	4WD	4172	250	340	09.99-01.05	■
1.9 TDI (AVF)		Diesel	FWD	1896	96	130	08.01-01.05	■
1.9 TDI (AWX)		Diesel	FWD	1896	96	130	08.01-01.05	■
2.5 TDI (AFB)	06/01-	Diesel	FWD	2496	110	150	07.97-01.05	■

LISTA DE APLICACIONES - BUYERS GUIDE

2.5 TDI (AKN)	06/01-	Diesel	FWD	2496	110	150	07.97-01.05	■	
2.5 TDI quattro (AFB)	06/01-	Diesel	4WD	2496	110	150	07.97-01.05	■	
2.5 TDI quattro (AKN)	06/01-	Diesel	4WD	2496	110	150	07.97-01.05	■	
2.5 TDI (AYM)		Diesel	FWD	2496	114	155	08.01-01.05	■	
2.5 TDI (BCZ)		Diesel	FWD	2496	120	163	07.02-01.05	■	
2.5 TDI (BDG)		Diesel	FWD	2496	120	163	07.02-01.05	■	
2.5 TDI (BFC)		Diesel	FWD	2496	120	163	07.02-01.05	■	
2.5 TDI (AKE)	06/01-	Diesel	FWD	2496	132	180	02.00-01.05	■	
2.5 TDI (BAU)	06/01-	Diesel	FWD	2496	132	180	02.00-01.05	■	
2.5 TDI (BDH)	06/01-	Diesel	FWD	2496	132	180	02.00-01.05	■	
2.5 TDI quattro (AKE)	06/01-	Diesel	4WD	2496	132	180	02.00-01.05	■	
2.5 TDI quattro (BAU)	06/01-	Diesel	4WD	2496	132	180	02.00-01.05	■	
2.5 TDI quattro (BDH)	06/01-	Diesel	4WD	2496	132	180	02.00-01.05	■	
A6 III C6 Avant (4F5) 11.04-08.11					Estate (Executive car-E Segment)				
5.0 RS6 Fsi Turbo Quattro	01/08-	Gasolina	FWD	4995	426	579	11.04-	■	
ALLROAD C5 (4BH) 05.00-08.05					Estate (Executive SUV-J Segment)				
2.7 T quattro (ARE)		Gasolina	4WD	2671	184	250	05.00-08.05	■	
2.7 T quattro (BES)		Gasolina	4WD	2671	184	250	05.00-08.05	■	
2.7 quattro (APB)		Gasolina	4WD	2671	187	254	09.00-08.05	■	
2.7 quattro (BEL)		Gasolina	4WD	2671	187	254	09.00-08.05	■	
2.7 T quattro	01/00-	Gasolina	FWD	2695	184	250	05.00-	■	
2.7 T quattro	01/02-	Gasolina	FWD	2695	184	250	05.00-	■	
4.2 V8 quattro (BAS)		Gasolina	4WD	4163	220	299	07.02-08.05	■	
4.2 V8 quattro	01/03-	Gasolina	FWD	4195	220	299	05.00-	■	
2.5 TDI quattro (BCZ)		Diesel	4WD	2496	120	163	05.03-08.05	■	
2.5 TDI quattro (AKE)		Diesel	4WD	2496	132	180	05.00-08.05	■	
2.5 TDI quattro (BAU)		Diesel	4WD	2496	132	180	05.00-08.05	■	
CITROËN									
C3 II (SC_) 06.10-					Hatchback Van (Supermini car-B Segment)				
1.6 BlueHDi (BHW (DV6FE))		Diesel	FWD	1560	55	75	03.15-09.16	■	
C3 II (SC_) 09.09-					Hatchback (Supermini car-B Segment)				
1.2 THP 110 (HNZ (EB2DT))		Gasolina	FWD	1199	81	110	10.14-09.16	■	
1.4 VTi 95 (8FP (EP3C))		Gasolina	FWD	1397	70	95	11.09-09.16	■	
1.6 VTi 120 (5FS (EP6C))		Gasolina	FWD	1598	88	120	11.09-09.16	■	
1.4 LPG (KFT (TU3A))		Gasol./Gas (LPG)	FWD	1360	54	73	07.10-09.16	■	
1.4 HDi 70 (SC8HZC, SC8HR0, SC8HP4) (8HR (DV4C))		Diesel	FWD	1398	50	68	11.09-09.16	■	
1.4 HDi 70 (SC8HZC, SC8HR0, SC8HP4) (8HZ (DV4TD))		Diesel	FWD	1398	50	68	11.09-09.16	■	
1.6 BlueHDi 75 (9HK (DV6ETEDM))		Diesel	FWD	1560	55	75	04.15-09.16	■	
1.6 BlueHDi 75 (BHW (DV6FE))		Diesel	FWD	1560	55	75	04.15-09.16	■	
1.6 HDi 90 (9HX (DV6ATED4))		Diesel	FWD	1560	66	90	11.09-09.16	■	
1.6 HDi (9HJ (DV6DTEDM))		Diesel	FWD	1560	68	92	11.09-09.16	■	
1.6 HDi (9HP (DV6DTEDE))		Diesel	FWD	1560	68	92	11.09-09.16	■	
1.6 BlueHDi 100 (BHY (DV6FD))		Diesel	FWD	1560	73	99	07.14-09.16	■	
1.6 HDi 110 (9HR (DV6C))		Diesel	FWD	1560	82	112	11.09-09.16	■	
1.6 HDi 115 (9HD (DV6C))		Diesel	FWD	1560	84	114	09.12-09.16	■	
C3 II Picasso (SH_) 12.08-					MPV (Mini MPV-M1 Segment)				
1.2 THP 110 (SHHNZ6) (HNZ (EB2DT))		Gasolina	FWD	1199	81	110	01.15-12.15	■	

LISTA DE APLICACIONES - BUYERS GUIDE

1.4 VTi 95 (SH8FSC, SH8FP0, SH8FP6) (8FN (EP3))		Gasolina	FWD	1397	70	95	12.08-12.15	■	
1.4 VTi 95 (SH8FSC, SH8FP0, SH8FP6) (8FP (EP3C))		Gasolina	FWD	1397	70	95	12.08-12.15	■	
1.4 VTi 95 (SH8FSC, SH8FP0, SH8FP6) (8FS (EP3))		Gasolina	FWD	1397	70	95	12.08-12.15	■	
1.6 Flex		Gasolina	FWD	1587	81	110	05.11-	■	
1.6 VTi 115 (SH5FP0, SH5FP8) (5FP (EP6))		Gasolina	FWD	1598	84	114	07.09-12.15	■	
1.6 VTi 120 (5FS (EP6C))		Gasolina	FWD	1598	88	120	02.09-07.15	■	
1.6 VTi 120 (5FW (EP6))		Gasolina	FWD	1598	88	120	02.09-07.15	■	
1.4 VTi 95 LPG (SH8FN0) (8FN (EP3))		Gasol./G as (LPG)	FWD	1397	70	95	09.10-11.15	■	
1.6 HDi (9HX (DV6ATED4))		Diesel	FWD	1560	66	90	02.09-03.15	■	
1.6 HDi 90 (9HP (DV6DTE))		Diesel	FWD	1560	68	92	07.10-03.15	■	
1.6 BlueHDi 100 (BHY (DV6FD))		Diesel	FWD	1560	73	99	01.15-08.17	■	
1.6 HDi (9HZ (DV6TED4))		Diesel	FWD	1560	80	109	02.09-12.10	■	
1.6 HDi 110 (9HR (DV6C))		Diesel	FWD	1560	82	112	05.10-02.13	■	
1.6 HDi 115 (9HD (DV6C))		Diesel	FWD	1560	84	114	01.13-03.15	■	
C3 III (SX) 07.16-							Hatchback (Supermini car-B Segment)		
1.2 VTi 68 (HMM (EB2FAD))		Gasolina	FWD	1199	50	68	07.16-	■	
1.2 VTi 68 (HMP (EB2FB))		Gasolina	FWD	1199	50	68	07.16-	■	
1.2 VTi 82 (HMZ (EB2F))		Gasolina	FWD	1199	60	82	07.16-	■	
1.2 PureTech 82 (HMR (EB2FA))		Gasolina	FWD	1199	61	83	05.18-	■	
1.2 PureTech 110		Gasolina	FWD	1199	81	110	03.21-	■	
1.2 THP 110 (SXHNPS, SXHNZT, SXHNZ6) (HNP (EB2ADT))		Gasolina	FWD	1199	81	110	07.16-	■	
1.2 THP 110 (SXHNPS, SXHNZT, SXHNZ6) (HNV (EB2DTM))		Gasolina	FWD	1199	81	110	07.16-	■	
1.2 THP 110 (SXHNPS, SXHNZT, SXHNZ6) (HNZ (EB2DT))		Gasolina	FWD	1199	81	110	07.16-	■	
1.6 VTi (SXNFPT) (NFP (EC5))		Gasolina	FWD	1587	85	116	02.17-	■	
1.2 VTi 82 LPG (HMZ (EB2F))	discØ 249	Gasol./G as (LPG)	FWD	1199	60	82	07.16-	■	
1.2 PureTech 82 LPG (HMR (EB2FA))		Gasol./G as (LPG)	FWD	1199	61	83	05.18-	■	
1.5 BlueHDi 100 (SXYHYP, SXYHTU) (YHY (DV5RD))		Diesel	FWD	1499	75	102	05.18-	■	
1.6 BlueHDi 75 (BHW (DV6FE))	discØ 249	Diesel	FWD	1560	55	75	07.16-05.18	■	
1.6 BlueHDi 100 (BHY (DV6FD))	discØ 249	Diesel	FWD	1560	73	99	07.16-05.18	■	
C3 III AIRCROSS II (2R_, 2C_) 06.17-							SUV (Mini SUV-J Segment)		
1.2 PureTech 82 (2RHMRC, 2RHMZB) (HMR (EB2FA))		Gasolina	FWD	1199	60	82	06.17-	■	
1.2 PureTech 82 (2RHMRC, 2RHMZB) (HMZ (EB2F))		Gasolina	FWD	1199	60	82	06.17-	■	
1.2 PureTech 110 (2RHNZB, 2RHNZW, 2RHNPX, 2RHNPJ) (HNP (EB2ADT))		Gasolina	FWD	1199	81	110	06.17-	■	
1.2 PureTech 110 (2RHNZB, 2RHNZW, 2RHNPX, 2RHNPJ) (HNV (EB2DTM))		Gasolina	FWD	1199	81	110	06.17-	■	
1.2 PureTech 110 (2RHNZB, 2RHNZW, 2RHNPX, 2RHNPJ) (HNZ (EB2DT))		Gasolina	FWD	1199	81	110	06.17-	■	
1.2 PureTech 130 (2RHNYH) (HNS (EB2ADTS))		Gasolina	FWD	1199	96	131	07.17-	■	
1.2 PureTech 130 (2RHNYH) (HNY (EB2DTS))		Gasolina	FWD	1199	96	131	07.17-	■	
1.5 BlueHDi 100 (2CYHYJ) (YHY (DV5RD))		Diesel	FWD	1499	73	99	08.18-	■	
1.5 BlueHDi 100 (2CYHYJ) (YHY (DV5RD))		Diesel	FWD	1499	75	102	08.18-	■	
1.5 BlueHDi 110 (YHS (DV5RCE))	discØ 249	Diesel	FWD	1499	81	110	10.20-	■	
1.5 BlueHDi 120 (2CYHXX) (YHX (DV5RC))		Diesel	FWD	1499	88	120	08.18-	■	
1.6 HDi 92 (2C9HPA) (9HP (DV6D))		Diesel	FWD	1560	68	92	10.17-	■	
1.6 HDi 92 (2C9HPA) (9HP (DV6DTE))		Diesel	FWD	1560	68	92	10.17-	■	

LISTA DE APLICACIONES - BUYERS GUIDE

1.6 BlueHDi 100 (2CBHYB) (BHY (DV6FD))		Diesel	FWD	1560	73	99	07.17-08.18	■	
1.6 BlueHDi 115 (2CBHXH) (BHX (DV6FC))		Diesel	FWD	1560	85	115	06.17-05.18	■	
1.6 BlueHDi 120 (2CBHZH) (BHZ (DV6FC))		Diesel	FWD	1560	88	120	07.17-05.18	■	
C3 III AIRCROSS II Van (2C_, 2R_) 06.17-					SUV Van (Mini SUV-J Segment)				
PureTech 82 (HMZ (EB2F))		Gasolina	FWD	1199	60	82	05.19-	■	
PureTech 82 (HNZ (EB2DT))		Gasolina	FWD	1199	81	110	05.19-	■	
1.5 BlueHDi 100 (YHY (DV5RD))		Diesel	FWD	1499	73	99	05.19-	■	
1.5 BlueHDi 120 (YHX (DV5RC))		Diesel	FWD	1499	88	120	05.19-	■	
1.6 BlueHDi 100 (BHY (DV6FD))		Diesel	FWD	1560	73	99	05.19-	■	
C3 III Van (SX_, SY_) 07.16-					Hatchback Van (Supermini car-B Segment)				
1.2 VTi		Gasolina	FWD	1199	60	82	07.16-	■	
PureTech 82 (HMR (EB2FA))		Gasolina	FWD	1199	61	83	03.19-	■	
PureTech 110 (HNZ (EB2DT))		Gasolina	FWD	1199	81	110	03.19-	■	
BlueHDi 100 (YHY (DV5RD))		Diesel	FWD	1499	75	102	03.19-	■	
BlueHDi 75 (BHW (DV6FE))		Diesel	FWD	1560	55	75	03.19-	■	
BlueHDi 100 (BHY (DV6FD))		Diesel	FWD	1560	73	99	03.19-	■	
C4 CACTUS 09.14-					Hatchback (Compact SUV-J Segment)				
1.2 VTi 75 / PureTech 75 (HMU (EB2D))	discØ 244	Gasolina	FWD	1199	55	75	09.14-	■	
1.2 VTi 75 / PureTech 75 (HMU (EB2FD))	discØ 244	Gasolina	FWD	1199	55	75	09.14-	■	
1.2 VTi 82 (HMZ (EB2F))		Gasolina	FWD	1199	60	82	09.14-	■	
1.2 THP 110 (HNP (EB2ADT))		Gasolina	FWD	1199	81	110	09.14-	■	
1.2 THP 110 (HNV (EB2DTM))		Gasolina	FWD	1199	81	110	09.14-	■	
1.2 THP 110 (HNZ (EB2DT))		Gasolina	FWD	1199	81	110	09.14-	■	
1.2 PureTech 130 (HNS (EB2ADTS))		Gasolina	FWD	1199	96	131	11.17-	■	
1.2 PureTech 130 (HNY (EB2DTS))		Gasolina	FWD	1199	96	131	11.17-	■	
1.5 BlueHDi 100 (YHY (DV5RD))		Diesel	FWD	1499	73	99	06.18-	■	
1.5 BlueHDi 100 (YHY (DV5RD))		Diesel	FWD	1499	75	102	06.18-	■	
1.5 BlueHDi 120 (YHX (DV5RC))		Diesel	FWD	1499	88	120	09.18-	■	
1.6 HDi 90 (9HJ (DV6DTEDM))		Diesel	FWD	1560	68	92	09.14-	■	
1.6 HDi 90 (9HP (DV6D))		Diesel	FWD	1560	68	92	09.14-	■	
1.6 HDi 90 (9HP (DV6DTE))		Diesel	FWD	1560	68	92	09.14-	■	
1.6 BlueHDi 100 (BHY (DV6FD))		Diesel	FWD	1560	73	99	09.14-06.18	■	
C4 CACTUS Van (0B_, 0P_) 09.14-					Hatchback Van (Compact car-C Segment)				
PureTech 82 (HMZ (EB2))		Gasolina	FWD	1199	60	82	05.19-	■	
PureTech 110 (HNP (EB2ADT))		Gasolina	FWD	1199	81	110	05.19-	■	
PureTech 110 (HNZ (EB2DT))		Gasolina	FWD	1199	81	110	05.19-	■	
PureTech 130 (HNY (EB2DTS))		Gasolina	FWD	1199	96	131	05.19-	■	
BlueHDi 100 (YHY (DV5RD))		Diesel	FWD	1499	73	99	05.19-	■	
BlueHDi 100 (BHY (DV6FD))		Diesel	FWD	1560	73	99	05.19-	■	
DS3 01.13-07.15					Convertible (Supermini car-B Segment)				
1.2 VTi 82 (HMZ (EB2F))	03/13-	Gasolina	FWD	1199	60	82	01.13-07.15	■	
1.2 THP 110 (HNZ (EB2DT))		Gasolina	FWD	1199	81	110	10.14-07.15	■	
1.6 VTi 120 (5FS (EP6C))	03/13-	Gasolina	FWD	1598	88	120	01.13-07.15	■	
1.6 THP 150 (5FN (EP6CDT))	03/13-	Gasolina	FWD	1598	110	150	01.13-07.15	■	
1.6 THP 155 (5FV (EP6CDT))	03/13-	Gasolina	FWD	1598	115	156	01.13-07.15	■	
1.6 THP 165 (5FM (EP6DT))		Gasolina	FWD	1598	120	163	02.15-07.15	■	
1.6 THP 165 (5GZ (EP6FDT))		Gasolina	FWD	1598	121	165	10.14-07.15	■	
1.6 Racing (5FF (EP6DTS))		Gasolina	FWD	1598	149	203	03.14-07.15	■	
1.6 Racing		Gasolina	FWD	1598	152	207	03.14-	■	

LISTA DE APLICACIONES - BUYERS GUIDE

1.6 Racing (5FD (EP6DTS))		Gasolina	FWD	1598	152	207	03.14-07.15	■
1.6 HDi 90 (9HP (DV6DTE))	03/13-	Diesel	FWD	1560	68	92	01.13-07.15	■
1.6 BlueHdi 100 (BHY (DV6FD))		Diesel	FWD	1560	73	99	07.14-07.15	■
1.6 BlueHdi 100 (BHY (DV6FD))		Diesel	FWD	1560	75	102	07.14-07.15	■
1.6 BlueHdi 115 (BHX (DV6FC))		Diesel	FWD	1560	85	115	10.13-07.15	■
1.6 BlueHdi 120 (BHZ (DV6FC))		Diesel	FWD	1560	88	120	07.14-07.15	■
DS3 (SA_) 11.09-12.16				Hatchback (Supermini car-B Segment)				
1.2 VTI 82 (HMZ (EB2))		Gasolina	FWD	1199	60	82	01.13-03.15	■
1.2 VTI 82 (HMZ (EB2F))		Gasolina	FWD	1199	60	82	01.13-03.15	■
1.2 THP 110 (HNZ (EB2DT))		Gasolina	FWD	1199	81	110	10.14-03.15	■
1.4 VTI 95 (8FP (EP3C))		Gasolina	FWD	1397	70	95	04.10-07.15	■
1.4 VTI 98 (8FR (EP3C))		Gasolina	FWD	1397	72	98	11.09-07.15	■
1.6 VTI 120 (5FS (EP6C))		Gasolina	FWD	1598	88	120	04.10-07.15	■
1.6 THP 150 (5FN (EP6CDT))		Gasolina	FWD	1598	110	150	01.10-07.15	■
1.6 THP 150 (5FX (EP6DT))		Gasolina	FWD	1598	110	150	01.10-07.15	■
1.6 THP 155 (5FR (EP6DT))		Gasolina	FWD	1598	115	156	04.10-07.15	■
1.6 THP 155 (5FV (EP6CDT))		Gasolina	FWD	1598	115	156	04.10-07.15	■
1.6 THP160 (5FM (EP6DT))		Gasolina	FWD	1598	120	163	01.12-07.15	■
1.6 THP 165 (5GZ (EP6FDT))		Gasolina	FWD	1598	121	165	10.14-06.15	■
1.6 Racing (5FF (EP6DTS))		Gasolina	FWD	1598	149	203	02.11-07.15	■
1.6 Racing (5FD (EP6DTS))		Gasolina	FWD	1598	152	207	02.11-07.15	■
1.4 VTI 95 LPG (8FR (EP3C))		Gasol./Gas (LPG)	FWD	1397	70	95	08.12-07.15	■
1.4 HDi 70 (SA8HP4) (8HR (DV4C))		Diesel	FWD	1398	50	68	04.10-07.15	■
1.6 BlueHdi 75 (BHW (DV6FE))		Diesel	FWD	1560	55	75	03.15-07.15	■
1.6 HDi 90 (9HP (DV6DTE))		Diesel	FWD	1560	68	92	11.09-07.15	■
1.6 BlueHdi 100 (BHY (DV6FD))		Diesel	FWD	1560	73	99	07.14-07.15	■
1.6 HDi 110 (9HR (DV6C))	01/10-	Diesel	FWD	1560	82	112	11.09-07.15	■
1.6 HDi 115 (9HD (DV6C))		Diesel	FWD	1560	84	114	08.12-07.15	■
1.6 HDi 115 (BHX (DV6FC))		Diesel	FWD	1560	85	115	10.13-07.15	■
1.6 BlueHdi 120 (BHZ (DV6FC))		Diesel	FWD	1560	88	120	10.13-07.15	■
CITROËN (DF-PSA)								
C3 L 06.20-				Saloon ()				
190THP (HN11(EB2ADT))		Diesel	FWD	1199	85	116	06.20-	■
DS								
DS 3 (SB_) 07.15-				Convertible (City car-A Segment)				
1.2 THP 110 (HNP (EB2ADT))		Gasolina	FWD	1199	81	110	07.15-07.19	■
1.2 THP 110 (HNZ (EB2DT))		Gasolina	FWD	1199	81	110	07.15-07.19	■
1.2 THP 130 (HNY (EB2DTS))		Gasolina	FWD	1199	96	130	09.15-07.19	■
1.6 THP (SB5GWM) (5GX (EP6FDTMD))		Gasolina	FWD	1598	110	150	07.15-07.19	■
1.6 THP (5GZ (EP6FDT))		Gasolina	FWD	1598	120	163	07.15-07.19	■
1.6 THP 165 (5GZ (EP6FDT))		Gasolina	FWD	1598	121	165	07.15-07.19	■
1.6 THP 208 (5GR (EP6FDTX))		Gasolina	FWD	1598	153	208	09.15-07.19	■
1.6 BlueHdi 100 (BHY (DV6FD))		Diesel	FWD	1560	73	99	07.15-07.19	■
1.6 BlueHdi 116 (BHX (DV6FC))		Diesel	FWD	1560	85	116	07.15-07.19	■
1.6 BlueHdi 120 (BHZ (DV6FC))		Diesel	FWD	1560	88	120	07.15-07.19	■
DS 3 (SA_) 04.15-				Hatchback (City car-A Segment)				
1.2 THP 110 / PureTech 110 (SAHNPS, SAHNZ6, SAHNZT) (HNP (EB2ADT))		Gasolina	FWD	1199	81	110	04.15-07.19	■
1.2 THP 110 / PureTech 110 (SAHNPS, SAHNZ6, SAHNZT) (HNZ (EB2DT))		Gasolina	FWD	1199	81	110	04.15-07.19	■

LISTA DE APLICACIONES - BUYERS GUIDE

1.2 THP 130 (SAHNYM) (HNY (EB2DTS))		Gasolina	FWD	1199	96	130	09.15-07.19	■
1.6 THP (SA5GWM) (5GW (EP6FDT))		Gasolina	FWD	1598	110	150	07.15-07.19	■
1.6 THP (SA5GZM) (5GZ (EP6FDT))		Gasolina	FWD	1598	120	163	07.15-07.19	■
1.6 THP 165 (SA5GZM) (5GZ (EP6FDT))		Gasolina	FWD	1598	121	165	07.15-07.19	■
1.6 THP 208 (SA5GRM) (5GR (EP6FDTX))		Gasolina	FWD	1598	153	208	09.15-07.19	■
1.4 HDi 70 (SA8HR4, SA8HP4)		Diesel	FWD	1398	50	68	07.15-12.16	■
1.6 BlueHDi 75 (SABHW6) (BHW (DV6FE))		Diesel	FWD	1560	55	75	07.15-07.19	■
1.6 BlueHDi 100 (SABHY0, SABHYT) (BHY (DV6FD))		Diesel	FWD	1560	73	99	04.15-07.19	■
1.6 BlueHDi 116 (SABHXM) (BHX (DV6FC))		Diesel	FWD	1560	85	116	07.15-07.19	■
1.6 BlueHDi 120 (SABHZM) (BHZ (DV6FC))		Diesel	FWD	1560	88	120	07.15-07.19	■

NISSAN

LATIO (C11) 11.04-				Saloon (City car-A Segment)				
---------------------------	--	--	--	------------------------------------	--	--	--	--

1.5		Gasolina	FWD	1498	80	109	11.04-	■
1.5		Gasolina	FWD	1498	80	109	11.04-	■
1.6		Gasolina	FWD	1598	81	110	03.07-	■
1.8		Gasolina	FWD	1769	92	125	11.04-	■
1.8		Gasolina	FWD	1769	92	125	03.07-	■

NOTE (E11, NE11) 01.05-08.13				MPV (Mini MPV-M1 Segment)				
-------------------------------------	--	--	--	----------------------------------	--	--	--	--

1.4 (CR14DE)		Gasolina	FWD	1386	65	88	01.06-08.13	■
1.5 (HR15DE)		Gasolina	FWD	1498	80	109	03.06-12.10	■
1.5		Gasolina	FWD	1498	80	109	01.06-12.10	■
1.6 (HR16DE)		Gasolina	FWD	1598	81	110	03.06-06.12	■
1.5 dCi (K9K 700)		Diesel	FWD	1461	50	68	03.06-06.12	■
1.5 dCi (K9K 276)		Diesel	FWD	1461	63	86	03.06-06.12	■
1.5 dCi (K9K 288)		Diesel	FWD	1461	76	103	07.08-06.12	■

NOTE VAN (E11) 01.05-08.13				Box Body/MPV (Mini MPV-M1 Segment)				
-----------------------------------	--	--	--	---	--	--	--	--

1.5 dCi		Diesel	FWD	1461	63	86	01.11-09.12	■
---------	--	--------	-----	------	----	----	-------------	---

TIIDA / VERSA (C11) 05.04-12.14				Hatchback (City car-A Segment)				
--	--	--	--	---------------------------------------	--	--	--	--

1.5 (C11) (HR15DE)		Gasolina	FWD	1498	80	109	05.04-08.12	■
1.5 4x4 (NC11)		Gasolina	4WD	1498	80	109	05.04-02.07	■
1.6 (HR16DE)		Gasolina	FWD	1598	81	110	09.07-12.11	■
1.6		Gasolina	FWD	1598	81	110	05.04-02.07	■
1.6		Gasolina	FWD	1598	81	110	05.04-02.07	■
1.8 (JC11)		Gasolina	FWD	1769	81	110	05.04-02.07	■
1.8 4x4		Gasolina	4WD	1769	81	110	05.04-02.07	■
1.8		Gasolina	FWD	1798	93	126	05.04-02.07	■
1.8 (JC11) (MR18DE)		Gasolina	FWD	1798	93	126	09.04-12.11	■

TIIDA / VERSA (SC11) 05.04-02.14				Saloon (City car-A Segment)				
---	--	--	--	------------------------------------	--	--	--	--

1.8		Gasolina	FWD	1797	92	125	01.12-	■
1.8 Flex	01/12-	Gasolina	FWD	1797	92	125	07.10-	■

OPEL

CROSSLAND X (P17, P2QO) 03.17-				SUV (Subcompact SUV-B Segment)				
---------------------------------------	--	--	--	---------------------------------------	--	--	--	--

1.2 (75) (B 12 XE (EB2F))	discØ 249	Gasolina	FWD	1199	60	82	03.17-	■
1.2 (75) (D 12 XE (EB2FA))	discØ 249	Gasolina	FWD	1199	60	82	03.17-	■
1.2 (F 12 XE (EB2FA))		Gasolina	FWD	1199	61	83	07.19-	■
1.2 (75) (B 12 XHL (EB2DT))	discØ 249	Gasolina	FWD	1199	81	110	03.17-	■
1.2 (75) (D 12 XHL (EB2ADT))	discØ 249	Gasolina	FWD	1199	81	110	03.17-	■
1.2 (75) (F 12 XHL)	discØ 249	Gasolina	FWD	1199	81	110	03.17-	■

LISTA DE APLICACIONES - BUYERS GUIDE

1.2 (75) (B 12 XHT (EB2DTS))	discØ 249	Gasolina	FWD	1199	96	131	03.17-	■	
1.2 (75) (D 12 XHT (EB2ADTS))	discØ 249	Gasolina	FWD	1199	96	131	03.17-	■	
1.2 (75) (F 12 XHT (EB2ADTS))	discØ 249	Gasolina	FWD	1199	96	131	03.17-	■	
1.2 LPG (75) (B 12 XE (EB2F))	discØ 249	Gasol./Gas (LPG)	FWD	1199	60	82	10.17-	■	
1.5 Turbo D (75) (D 15 DT (DV5RD))		Diesel	FWD	1499	75	102	06.18-	■	
1.5 (75)		Diesel	FWD	1499	81	110	10.20-	■	
1.5 Turbo D (75) (D 15 DTH (DV5RC))		Diesel	FWD	1499	88	120	08.18-	■	
1.6 Turbo D(75) (B 16 DT (DV6FD))	discØ 249	Diesel	FWD	1560	73	99	03.17-05.18	■	
1.6 Turbo D(75) (B 16 DTH (DV6FC))	discØ 249	Diesel	FWD	1560	85	116	08.17-04.19	■	
1.6 Turbo D(75) (B 16 DTH (DV6FC))	discØ 249	Diesel	FWD	1560	88	120	03.17-05.18	■	
CROSSLAND X Van 03.17-					SUV Van (Subcompact SUV-B Segment)				
1.2 (75) (F 12 XE (EB2FA))	discØ 249	Gasolina	FWD	1199	61	83	07.19-	■	
1.2 (75) (D 12 XHL (EB2ADT))		Gasolina	FWD	1199	81	110	07.18-	■	
1.2 (75) (F 12 XHL)		Gasolina	FWD	1199	81	110	07.18-	■	
1.5 (75) (D 15 DT (DV5RD))		Diesel	FWD	1499	75	102	06.18-	■	
PEUGEOT									
2008 (CU_) 03.13-					SUV Van (Compact SUV-J Segment)				
PureTech 130 (CUHNYM, CUHNSS)		Gasolina	FWD	1199	96	131	01.18-11.19	■	
BlueHDi 100 (CUYHYM)		Diesel	FWD	1499	75	102	05.18-	■	
BlueHDi 120 (CUYHXK)		Diesel	FWD	1499	88	120	05.18-	■	
2008 (CU_) 03.13-					SUV (Compact SUV-J Segment)				
1.2 VTi (HMZ (EB2))		Gasolina	FWD	1199	60	82	03.13-12.18	■	
1.2 VTi (HMZ (EB2F))		Gasolina	FWD	1199	60	82	03.13-12.18	■	
1.2 PureTech 82 (HMR (EB2FA))		Gasolina	FWD	1199	61	82	01.18-12.19	■	
1.2 THP 110 / PureTech 110 (SAHNPS, SAHNZ6, SAHNZT) (HNP (EB2ADT))		Gasolina	FWD	1199	81	110	01.15-	■	
1.2 THP 110 / PureTech 110 (SAHNPS, SAHNZ6, SAHNZT) (HNV (EB2DTM))		Gasolina	FWD	1199	81	110	01.15-	■	
1.2 THP 110 / PureTech 110 (SAHNPS, SAHNZ6, SAHNZT) (HNZ (EB2DT))		Gasolina	FWD	1199	81	110	01.15-	■	
1.2 PureTech 110		Gasolina	FWD	1199	84	114	05.19-	■	
1.2 THP 130 / PureTech 130 (HNS (EB2ADTS))		Gasolina	FWD	1199	96	130	01.15-11.19	■	
1.2 THP 130 / PureTech 130 (HNY (EB2DTS))		Gasolina	FWD	1199	96	130	01.15-11.19	■	
1.6 VTi		Gasolina	FWD	1587	85	116	02.16-	■	
1.6 VTi (5FS (EP6C))		Gasolina	FWD	1598	85	116	05.13-	■	
1.6 VTi (5FS (EP6C))		Gasolina	FWD	1598	88	120	03.13-	■	
1.6 Flex		Gasolina	FWD	1598	90	122	04.15-	■	
1.6 THP 165 (5GY (EP6FDTM))		Gasolina	FWD	1598	121	165	02.16-	■	
1.6 THP 165 (5GZ (EP6FDT))		Gasolina	FWD	1598	121	165	02.16-	■	
1.6 Flex		Gasolina	FWD	1598	127	173	04.15-	■	
1.4 HDi (8HR (DV4C))		Diesel	FWD	1398	50	68	06.13-	■	
1.5 BlueHDi 100 (YHY (DV5RD))		Diesel	FWD	1499	75	102	05.18-	■	
1.5 BlueHDI 120 (YHX (DV5RC))		Diesel	FWD	1499	88	120	05.18-	■	
1.6 BlueHDi 75 (BHW (DV6FE))		Diesel	FWD	1560	55	75	01.15-11.19	■	
1.6 HDi (9HP (DV6DTED))		Diesel	FWD	1560	68	92	03.13-	■	
1.6 BlueHDi 100 (BHY (DV6FD))		Diesel	FWD	1560	73	100	01.15-11.19	■	
1.6 HDi (9HD (DV6C))		Diesel	FWD	1560	84	114	03.13-	■	
1.6 BlueHDi (BHX (DV6FC))		Diesel	FWD	1560	85	116	07.14-	■	
1.6 BlueHDi 120 (BHZ (DV6FC))		Diesel	FWD	1560	88	120	07.14-04.18	■	

LISTA DE APLICACIONES - BUYERS GUIDE

2008 II (UD_, US_, UY_, UJ_, UR_, UC_) 08.19-					SUV (Compact SUV-J Segment)			
1.2 THP / PureTech 155 (USHNNS, URHNNS, UXHNJP, URHNJP,... (HNJ (EB2ADTXM)))		Gasolina	FWD	1199	114	155	11.19-	■
1.2 THP / PureTech 155 (USHNNS, URHNNS, UXHNJP, URHNJP,... (HNN (EB2ADTX)))		Gasolina	FWD	1199	114	155	11.19-	■
1.2 THP / PureTech 155 (USHNNS, URHNNS, UXHNJP, URHNJP,... (HNR (EB2ADTXM)))		Gasolina	FWD	1199	114	155	11.19-	■
e-2008 (UKZKXZ) (ZKX (ZK01))		Eléctrico	FWD		100	136	09.19-	■
1.5 BlueHDi 130 (YHZ (DV5RC))		Diesel	FWD	1499	96	131	08.19-	■
207 (WA_, WC_) 04.06-					Hatchback Van (LCVs-N1 Segment)			
1.6 VTi (5FW (EP6))		Gasolina	FWD	1598	88	120	03.07-12.12	■
1.6 HDi (9HX (DV6ATED4))	discØ 249	Diesel	FWD	1560	66	90	04.07-10.12	■
1.6 HDi (9HZ (DV6TED4))		Diesel	FWD	1560	80	109	04.06-12.12	■
207 (WA_, WC_) 02.06-					Hatchback (Supermini car-B Segment)			
1.4 16V (8FS (EP3))		Gasolina	FWD	1397	70	95	06.07-10.13	■
1.4 16V (EP3)		Gasolina	FWD	1397	70	95	06.07-10.13	■
1.4 16V (EP3C)		Gasolina	FWD	1397	70	95	06.07-10.13	■
1.6 16V (NFU (TU5JP4))		Gasolina	FWD	1587	80	109	02.06-10.13	■
1.6 (N6A (TU5JP4))		Gasolina	FWD	1587	81	110	08.08-12.13	■
1.6 16V VTi (EP6)		Gasolina	FWD	1598	81	110	09.08-12.12	■
1.6 16V VTi (5FS (EP6C))	discØ 249	Gasolina	FWD	1598	88	120	02.07-12.12	■
1.6 16V VTi (5FW (EP6))	discØ 249	Gasolina	FWD	1598	88	120	02.07-12.12	■
1.6 16V VTi (EP6)	discØ 249	Gasolina	FWD	1598	88	120	02.07-12.12	■
1.6 16V Turbo (5FX (EP6DT))	discØ 249	Gasolina	FWD	1598	110	150	02.06-10.13	■
1.6 16V Turbo (5FR (EP6DT))		Gasolina	FWD	1598	115	156	10.09-12.12	■
1.6 16V RC (5FY (EP6DTS))		Gasolina	FWD	1598	128	174	02.07-12.12	■
1.6 HDi (9HV (DV6TED4B))	discØ 249	Diesel	FWD	1560	66	90	02.06-10.13	■
1.6 HDi (9HV (DV6TED4BU))	discØ 249	Diesel	FWD	1560	66	90	02.06-10.13	■
1.6 HDi (9HX (DV6ATED4))	discØ 249	Diesel	FWD	1560	66	90	02.06-10.13	■
1.6 HDi (9HP (DV6DTED))		Diesel	FWD	1560	68	92	11.09-12.12	■
1.6 HDi (9HY (DV6TED4))	discØ 249	Diesel	FWD	1560	80	109	02.06-10.13	■
1.6 HDi (9HZ (DV6TED4))	discØ 249	Diesel	FWD	1560	80	109	02.06-10.13	■
1.6 HDi 110 (9HR (DV6C))		Diesel	FWD	1560	82	112	08.09-12.12	■
207 CC (WD_) 02.07-					Convertible (Supermini car-B Segment)			
1.6 16V (5FS (EP6C))	discØ 249	Gasolina	FWD	1598	88	120	02.07-10.13	■
1.6 16V (5FW (EP6))	discØ 249	Gasolina	FWD	1598	88	120	02.07-10.13	■
1.6 16V (EP6)	discØ 249	Gasolina	FWD	1598	88	120	02.07-10.13	■
1.6 16V Turbo (5FX (EP6DT))	discØ 249	Gasolina	FWD	1598	110	150	02.07-12.12	■
1.6 16V Turbo (5FR (EP6DT))	discØ 249	Gasolina	FWD	1598	115	156	10.09-12.13	■
1.6 16V Turbo (5FV (EP6CDT))	discØ 249	Gasolina	FWD	1598	115	156	10.09-12.13	■
1.6 HDi (9HZ (DV6TED4))	discØ 249	Diesel	FWD	1560	80	109	02.07-01.15	■
1.6 HDi (9HR (DV6C))		Diesel	FWD	1560	82	112	08.09-10.13	■
207 SW (WK_) 08.07-12.12					Estate Van (Supermini car-B Segment)			
1.6 HDi (9HX (DV6ATED4))		Diesel	FWD	1560	66	90	08.07-12.12	■
1.6 HDi (9HZ (DV6TED4))	discØ 249	Diesel	FWD	1560	80	109	08.07-12.12	■
207 SW (WK_) 02.07-					Estate (Supermini car-B Segment)			
1.6 16V (5FS (EP6C))	discØ 249	Gasolina	FWD	1598	88	120	06.07-10.13	■
1.6 16V (5FW (EP6))	discØ 249	Gasolina	FWD	1598	88	120	06.07-10.13	■
1.6 16V (EP6)	discØ 249	Gasolina	FWD	1598	88	120	06.07-10.13	■
1.6 16V Turbo (5FX (EP6DT))		Gasolina	FWD	1598	110	150	02.07-12.12	■

LISTA DE APLICACIONES - BUYERS GUIDE

1.6 16V RC (5FY (EP6DTS))	discØ 249	Gasolina	FWD	1598	128	174	02.07-12.12	■
1.6 HDi (9HV (DV6TED4B))		Diesel	FWD	1560	66	90	06.07-12.12	■
1.6 HDi (9HV (DV6TED4BU))		Diesel	FWD	1560	66	90	06.07-12.12	■
1.6 HDi (9HP (DV6DTED))	discØ 249	Diesel	FWD	1560	68	92	11.09-12.13	■
1.6 HDi (9HZ (DV6TED4))	discØ 249	Diesel	FWD	1560	80	109	06.07-12.12	■
1.6 HDi (9HR (DV6C))		Diesel	FWD	1560	82	112	08.09-10.13	■
208 (CR_) 02.13-12.19				Hatchback Van (LCVs-N1 Segment)				
1.2 VTI 68 / PureTech 68 (CRHMP6, CRHMM6) (HMM (EB2FAD))		Gasolina	FWD	1199	50	68	06.15-12.19	■
1.2 VTI 68 / PureTech 68 (CRHMP6, CRHMM6) (HMP (EB2FB))		Gasolina	FWD	1199	50	68	06.15-12.19	■
1.2 VTI 82 / PureTech 82 (CRHMZ6, CRHMRP) (HMR (EB2FA))		Gasolina	FWD	1199	60	82	06.15-12.19	■
1.2 VTI 82 / PureTech 82 (CRHMZ6, CRHMRP) (HMZ (EB2))		Gasolina	FWD	1199	60	82	06.15-12.19	■
1.2 VTI 82 / PureTech 82 (CRHMZ6, CRHMRP) (HMZ (EB2F))		Gasolina	FWD	1199	60	82	06.15-12.19	■
1.4 HDi 68 (CR8HR0) (8HR (DV4C))		Diesel	FWD	1398	50	68	02.13-12.19	■
1.5 BlueHDi 100 (YHY (DV5RD))		Diesel	FWD	1499	75	102	05.18-12.19	■
1.6 BlueHDi 75 (BHW (DV6FE))		Diesel	FWD	1560	55	75	04.15-12.19	■
1.6 HDi 92 (9HP (DV6DTED))		Diesel	FWD	1560	68	92	03.14-12.19	■
1.6 BlueHDi 100 (BHY (DV6FD))		Diesel	FWD	1560	73	99	06.15-12.19	■
208 (CA_, CC_) 03.12-				Hatchback (Supermini car-B Segment)				
1.0 VTi (ZMZ (EB0))		Gasolina	FWD	999	50	68	03.12-12.19	■
1.2 VTI 82 (HMZ (EB2))		Gasolina	FWD	1199	60	82	03.12-12.19	■
1.2 VTI 82 (HMZ (EB2F))		Gasolina	FWD	1199	60	82	03.12-12.19	■
1.2 THP 110 (HNP (EB2ADT))		Gasolina	FWD	1199	81	110	01.13-12.19	■
1.2 THP 110 (HNV (EB2DTM))		Gasolina	FWD	1199	81	110	01.13-12.19	■
1.2 THP 110 (HNZ (EB2DT))		Gasolina	FWD	1199	81	110	01.13-12.19	■
1.4 VTi (8FS (EP3))		Gasolina	FWD	1397	70	95	03.12-12.19	■
1.4 VTi (EP3C)		Gasolina	FWD	1397	70	95	03.12-12.19	■
1.4		Gasolina	FWD	1449	66	90	01.13-	■
1.6 (EC5F)		Gasolina	FWD	1587	85	116	01.13-12.19	■
1.6 Flex		Gasolina	FWD	1587	90	122	01.13-	■
1.6 VTi (5FS (EP6C))		Gasolina	FWD	1598	88	120	03.12-12.19	■
1.6 (5FS (EP6C))		Gasolina	FWD	1598	89	121	09.16-	■
1.6 THP (5FV (EP6CDT))		Gasolina	FWD	1598	115	156	03.12-12.19	■
1.6 THP 165 (5GZ (EP6FDT))		Gasolina	FWD	1598	121	165	03.15-12.19	■
1.6 GTi (CA5FU8) (5FU (EP6CDTX))		Gasolina	FWD	1598	147	200	08.12-12.19	■
1.6 GTi (5GR (EP6FDTX))		Gasolina	FWD	1598	153	208	10.14-12.19	■
1.2 GPL (HMZ (EB2F))		Gasol./Gas (LPG)	FWD	1199	60	82	06.15-12.19	■
1.4 GPL (EP3C)		Gasol./Gas (LPG)	FWD	1397	70	95	10.13-12.19	■
1.5 Flex		Gasol./Etanol	FWD	1449	68	92	01.13-12.16	■
1.4 HDi (8HP (DV4C))		Diesel	FWD	1398	50	68	03.12-12.19	■
1.4 HDi (8HR (DV4C))		Diesel	FWD	1398	50	68	03.12-12.19	■
1.5 BlueHDi 100 (YHY (DV5RD))		Diesel	FWD	1499	75	102	05.18-12.19	■
1.6 HDi / BlueHDi 75 (9HK (DV6ETEDM))		Diesel	FWD	1560	55	75	01.13-12.19	■
1.6 HDi / BlueHDi 75 (BHW (DV6FE))		Diesel	FWD	1560	55	75	01.13-12.19	■
1.6 HDi (9HJ (DV6DTEDM))		Diesel	FWD	1560	68	92	03.12-12.19	■
1.6 HDi (9HP (DV6DTED))		Diesel	FWD	1560	68	92	03.12-12.19	■
1.6 HDi (9HP (DV6DTED))		Diesel	FWD	1560	69	94	09.16-	■
1.6 BlueHDi 100 (BHY (DV6FD))		Diesel	FWD	1560	73	100	01.15-12.19	■

LISTA DE APLICACIONES - BUYERS GUIDE

1.6 e-HDi (9HR (DV6C))		Diesel	FWD	1560	82	112	07.15-12.19	■	
1.6 HDi (9HD (DV6C))		Diesel	FWD	1560	84	114	03.12-12.19	■	
1.6 HDi (BHX (DV6FC))		Diesel	FWD	1560	85	116	01.15-12.19	■	
1.6 BlueHdi 120 (BHZ (DV6FC))		Diesel	FWD	1560	88	120	01.15-12.19	■	
308 (4A_, 4C_) 09.07-							Hatchback (Compact car-C Segment)		
1.4 16V (8FS (EP3))		Gasolina	FWD	1397	70	95	09.07-10.14	■	
1.4 16V (EP3)		Gasolina	FWD	1397	70	95	09.07-10.14	■	
1.6 16V (5FT (EP6DT))		Gasolina	FWD	1598	103	140	09.07-10.14	■	
1.6 16V (5FX (EP6DT))		Gasolina	FWD	1598	110	150	09.07-10.14	■	
1.6 HDi (9HV (DV6TED4B))		Diesel	FWD	1560	66	90	09.07-10.14	■	
1.6 HDi (9HV (DV6TED4BU))		Diesel	FWD	1560	66	90	09.07-10.14	■	
1.6 HDi (9HX (DV6ATED4))		Diesel	FWD	1560	66	90	09.07-10.14	■	
1.6 HDi (9HZ (DV6TED4))		Diesel	FWD	1560	80	109	09.07-10.14	■	
2.0 HDi (RHR (DW10BTED4))		Diesel	FWD	1997	100	136	09.07-10.14	■	
2.0 HDi (RHR (DW10CB))		Diesel	FWD	1997	100	136	09.07-10.14	■	
308 SW (4E_, 4H_) 09.07-							Estate (Compact car-C Segment)		
1.4 16V (8FS (EP3))		Gasolina	FWD	1397	70	95	09.07-10.14	■	
1.4 16V (8FR (EP3))		Gasolina	FWD	1397	72	98	12.09-10.14	■	
1.6 16V (5FW (EP6))		Gasolina	FWD	1598	88	120	09.07-10.14	■	
1.6 16V (EP6)		Gasolina	FWD	1598	88	120	09.07-10.14	■	
1.6 16V (5FT (EP6DT))		Gasolina	FWD	1598	103	140	09.07-10.14	■	
1.6 16V (5FX (EP6DT))		Gasolina	FWD	1598	110	150	09.07-10.14	■	
1.6 THP 16V (5FV (EP6CDT))		Gasolina	FWD	1598	115	156	10.09-10.14	■	
1.6 16V (5FY (EP6DTS))		Gasolina	FWD	1598	128	174	03.08-10.14	■	
1.6 BioFlex (NFU (TU5JP4))		Gasol./Etanol	FWD	1587	82	112	03.09-10.14	■	
2.0 Bioflex (RFJ (EW10A))		Gasol./Etanol	FWD	1997	103	140	01.08-12.11	■	
1.6 HDi (9HV (DV6TED4BU))		Diesel	FWD	1560	66	90	09.07-10.14	■	
1.6 HDi (9HX (DV6ATED4))		Diesel	FWD	1560	66	90	09.07-10.14	■	
1.6 HDi (9HZ (DV6TED4))		Diesel	FWD	1560	80	109	09.07-10.14	■	
1.6 HDi (9HR (DV6C))		Diesel	FWD	1560	82	112	12.09-10.14	■	
1.6 HDi (9HD (DV6C))		Diesel	FWD	1560	84	114	03.13-10.14	■	
2.0 HDi (RHR (DW10BTED4))		Diesel	FWD	1997	100	136	09.07-12.12	■	
2.0 HDi (RHR (DW10BTED4))		Diesel	FWD	1997	103	140	09.07-10.14	■	
2.0 HDi (RHE (DW10CTED4))	-04/14, Eq.V_ + Break Loisirs	Diesel	FWD	1997	110	150	04.11-10.14	■	
2.0 HDi (RHH (DW10CTED4))		Diesel	FWD	1997	120	163	06.09-10.14	■	
308 CC (4B_) 02.09-							Convertible (Compact car-C Segment)		
1.6 HDi (9HD (DV6C))		Diesel	FWD	1560	84	114	03.13-12.14	■	
RCZ 03.10-							Coupe (Compact car-C Segment)		
1.6 THP 150 (5FE (EP6CDTMD))		Gasolina	FWD	1598	110	150	03.11-12.15	■	
1.6 16V (5FV (EP6CDT))		Gasolina	FWD	1598	115	156	03.10-12.15	■	
1.6 16V (5FM (EP6CDTM))		Gasolina	FWD	1598	121	165	01.11-12.15	■	
1.6 16V (EP6CDTX)		Gasolina	FWD	1598	147	200	06.10-12.15	■	
1.6 THP 270 (5FG (EP6CDTR))		Gasolina	FWD	1598	199	270	06.13-12.15	■	
2.0 HDi (RHH (DW10CTED4))		Diesel	FWD	1997	120	163	03.10-12.15	■	
PEUGEOT (DF-PSA)									
2008 II (U_P24) 05.20-							Closed Off-Road Vehicle (Compact SUV-J Segment)		
230 THP		Gasolina	FWD	1199	100	136	05.20-	■	
EV		Eléctrico	FWD		120	163	05.20-	■	

LISTA DE APLICACIONES - BUYERS GUIDE

RENAULT

AVANTIME (DE0_) 09.01-05.03					MPV (Large MPV-M1 Segment)			
2.0 16V Turbo (DE0U, DE0V) (F4R 760)		Gasolina	FWD	1998	120	163	11.01-05.03	■
2.0 16V Turbo (DE0U, DE0V) (F4R 761)		Gasolina	FWD	1998	120	163	11.01-05.03	■
3.0 V6 (DE04, DE0T) (L7X 720)		Gasolina	FWD	2946	152	207	09.01-05.03	■
3.0 V6 (DE04, DE0T) (L7X 721)		Gasolina	FWD	2946	152	207	09.01-05.03	■
3.0 V6 (DE04, DE0T) (L7X 722)		Gasolina	FWD	2946	152	207	09.01-05.03	■
2.2 dCi (DE01) (G9T 712)		Diesel	FWD	2188	110	150	05.02-05.03	■
CLIO II / EURO CLIO (BR0/1, CR0/1) 01.05-					Hatchback (Supermini car-B Segment)			
1.2 16V (D4F 764)		Gasolina	FWD	1149	43	58	06.06-08.10	■
1.2 16V (BR0R, BR1D, BR1L, CR0R) (D4F 740)		Gasolina	FWD	1149	48	65	06.05-12.14	■
1.2 16V (BR02, BR0J, BR11, CR02, CR0J, CR11) (D4F 706)		Gasolina	FWD	1149	55	75	06.05-12.14	■
1.2 16V (BR02, BR0J, BR11, CR02, CR0J, CR11) (D4F 740)		Gasolina	FWD	1149	55	75	06.05-12.14	■
1.2 16V (BR02, BR0J, BR11, CR02, CR0J, CR11) (D4F 764)		Gasolina	FWD	1149	55	75	06.05-12.14	■
1.2 (BR01, BR03, BR0E, CR0E) (D4F 764)		Gasolina	FWD	1149	57	78	10.05-12.12	■
1.2 16V (D4F 764)		Gasolina	FWD	1149	58	78	06.05-12.14	■
1.2 16V (BR0P, CR0P) (D4F 784)	-12/12	Gasolina	FWD	1149	74	101	05.07-12.14	■
1.2 16V (D4F 786)		Gasolina	FWD	1149	76	103	09.10-12.14	■
1.4 16V (K4J 780)		Gasolina	FWD	1390	72	98	06.05-12.12	■
1.6 16V (BR09, BR0T, CR09, CR0T) (K4M 804)		Gasolina	FWD	1598	65	88	06.05-10.07	■
1.6 16V (BR05, BR0B, BR0Y, BR15, BR1J, BR1M, BR1Y, CR0B,...) (K4M 800)	-12/12	Gasolina	FWD	1598	82	112	06.05-12.14	■
1.6 16V (BR05, BR0B, BR0Y, BR15, BR1J, BR1M, BR1Y, CR0B,...) (K4M 801)	-12/12	Gasolina	FWD	1598	82	112	06.05-12.14	■
1.6 16V GT (BR10, CR10) (K4M 862)	-12/12	Gasolina	FWD	1598	94	128	06.09-12.14	■
2.0 16V (BR0C, BR0K, CR0C, CR0K) (M4R 700)	-12/12	Gasolina	FWD	1997	102	139	09.06-12.14	■
2.0 16V (BR0C, BR0K, CR0C, CR0K) (M4R 701)	-12/12	Gasolina	FWD	1997	102	139	09.06-12.14	■
2.0 16V Sport (CR0N, CR1P) (F4R 830)		Gasolina	FWD	1998	145	197	02.06-12.12	■
2.0 16V Sport (CR0N, CR1P) (F4R 832)		Gasolina	FWD	1998	145	197	02.06-12.12	■
2.0 16V Sport (F4R 832)	-12/12	Gasolina	FWD	1998	148	200	09.08-12.14	■
1.2 16V Hi-Flex (BR1U, CR1U) (D4F 740)		Gasol./Gas (LPG)	FWD	1149	55	75	07.08-12.14	■
1.2 Ethanol (CR1U, BR1U) (D4F 742)		Gasol./Etanol	FWD	1149	55	75	07.08-12.12	■
1.5 dCi (K9K 752)		Diesel	FWD	1461	47	64	06.05-12.12	■
1.5 dCi (K9K 752)		Diesel	FWD	1461	48	65	05.05-11.10	■
1.5 dCi (C/BR0G, C/BR1G) (K9K 714)		Diesel	FWD	1461	50	68	06.05-12.12	■
1.5 dCi (C/BR0G, C/BR1G) (K9K 768)		Diesel	FWD	1461	50	68	06.05-12.12	■
1.5 dCi (K9K 770)	-12/12	Diesel	FWD	1461	55	75	08.10-12.14	■
1.5 dCi (K9K 750)		Diesel	FWD	1461	60	82	11.07-12.12	■
1.5 dCi (BR17, CR17) (K9K 766)		Diesel	FWD	1461	63	86	06.05-12.12	■
1.5 dCi (K9K 766)	-12/12	Diesel	FWD	1461	65	88	08.10-12.14	■
1.5 dCi (K9K 770)	-12/12	Diesel	FWD	1461	65	88	08.10-12.14	■
1.5 dCi (BR1C, CR1C) (K9K 772)		Diesel	FWD	1461	76	103	06.05-12.12	■
1.5 dCi (BR0H, CR0H, CR1S, BR1S) (K9K 764)	-12/12	Diesel	FWD	1461	78	106	06.05-12.14	■
1.5 dCi (BR0H, CR0H, CR1S, BR1S) (K9K 774)	-12/12	Diesel	FWD	1461	78	106	06.05-12.14	■
CLIO III (SB_, SR_) 06.05-					Hatchback Van (LCVs-N1 Segment)			
1.2 (SR0J) (D4F 740)		Gasolina	FWD	1149	55	75	11.05-12.14	■
1.2 (SR0P) (D4F 784)		Gasolina	FWD	1149	74	101	11.07-12.11	■

LISTA DE APLICACIONES - BUYERS GUIDE

1.2 Hi-Flex (SR1U) (D4F 742)		Gasol./Etanol	FWD	1149	58	79	11.07-12.09	■
1.5 dCi (K9K 768)		Diesel	FWD	1461	50	68	10.05-07.10	■
1.5 dCi		Diesel	FWD	1461	55	75	08.10-12.14	■
1.5 dCi (K9K 766)		Diesel	FWD	1461	63	86	06.05-07.10	■
1.5 dCi (SR1H) (K9K 770)		Diesel	FWD	1461	65	88	08.10-12.14	■
1.5 dCi (K9K 764)		Diesel	FWD	1461	78	106	10.05-10.07	■
CLIO III Grandtour (KR0/1_) 11.07-				Estate (Supermini car-B Segment)				
1.2 16V (KR02, KR0J) (D4F 740)		Gasolina	FWD	1149	55	75	02.08-12.14	■
1.2 16V (KR0E) (D4F 764)		Gasolina	FWD	1149	58	78	11.07-12.14	■
1.2 16V (KR0P) (D4F 784)		Gasolina	FWD	1149	74	101	11.07-12.12	■
1.2 16V (D4F 786)		Gasolina	FWD	1149	76	103	03.10-12.12	■
1.4 16V (K4J 780)		Gasolina	FWD	1390	72	98	11.07-12.12	■
1.6 16V		Gasolina	FWD	1598	80	109	11.07-12.12	■
1.6 16V (KR0B) (K4M 800)		Gasolina	FWD	1598	82	112	11.07-12.12	■
1.6 16V (KR0B) (K4M 801)		Gasolina	FWD	1598	82	112	11.07-12.12	■
1.6 16V (KR10) (K4M 862)		Gasolina	FWD	1598	94	128	11.07-12.12	■
1.2 16V Hi-Flex (KR0S) (D4F 740)		Gasol./Etanol	FWD	1149	55	75	07.08-12.14	■
1.2 16V Hi-Flex (KR1U) (D4F 742)		Gasol./Etanol	FWD	1149	58	79	11.07-12.12	■
1.5 dCi (K9K 752)		Diesel	FWD	1461	48	65	11.07-12.12	■
1.5 dCi (KR0G) (K9K 714)		Diesel	FWD	1461	50	68	11.07-12.12	■
1.5 dCi (KR0G) (K9K 768)		Diesel	FWD	1461	50	68	11.07-12.12	■
1.5 dCi (K9K 770)		Diesel	FWD	1461	55	75	08.10-12.12	■
1.5 dCi (KR0F) (K9K 766)		Diesel	FWD	1461	63	86	11.07-12.12	■
1.5 dCi (K9K 770)		Diesel	FWD	1461	65	88	08.10-12.12	■
1.5 dCi (K9K 772)		Diesel	FWD	1461	65	88	08.10-12.12	■
1.5 dCi (KR1C, KR1N) (K9K 772)		Diesel	FWD	1461	76	103	11.07-12.12	■
1.5 dCi (KR0H, KR1S) (K9K 764)		Diesel	FWD	1461	78	106	02.08-12.12	■
1.5 dCi (KR0H, KR1S) (K9K 774)		Diesel	FWD	1461	78	106	02.08-12.12	■
CLIO IV (BH_) 11.12-				Hatchback (Supermini car-B Segment)				
1.6 RS (BHJ4, BHJ6, BHMM) (M5M 400)		Gasolina	FWD	1618	147	200	03.13-08.21	■
1.6 RS (BHJ4, BHJ6, BHMM) (M5M 401)		Gasolina	FWD	1618	147	200	03.13-08.21	■
1.6 RS (BHJ4, BHJ6, BHMM) (M5M 450)		Gasolina	FWD	1618	147	200	03.13-08.21	■
1.6 RS Trophy (BHJ4, BHJ6) (M5M 401)		Gasolina	FWD	1618	162	220	03.15-08.21	■
ESPACE III (JE0_) 11.96-10.02				MPV (Large MPV-M1 Segment)				
2.0 (F4R 700)		Gasolina	FWD	1998	102	139	09.01-10.02	■
2.0 (F4R 701)		Gasolina	FWD	1998	102	139	09.01-10.02	■
2.0 16V (JE0N, JE0L, JE02) (F4R 700)	01/99-	Gasolina	FWD	1998	103	140	10.98-10.02	■
2.0 16V (JE0N, JE0L, JE02) (F4R 701)	01/99-	Gasolina	FWD	1998	103	140	10.98-10.02	■
3.0 V6 24V (JE0G, JE0R) (L7X 727)	01/00-	Gasolina	FWD	2946	140	190	10.98-10.02	■
2.2 12V TD (JE0E, JE0H, JE0P) (G8T 714)	01/00-	Diesel	FWD	2188	83	113	11.96-10.00	■
2.2 12V TD (JE0E, JE0H, JE0P) (G8T 716)	01/00-	Diesel	FWD	2188	83	113	11.96-10.00	■
2.2 12V TD (JE0E, JE0H, JE0P) (G8T 760)	01/00-	Diesel	FWD	2188	83	113	11.96-10.00	■
2.2 D (G8T 716)		Diesel	FWD	2188	84	114	11.97-01.00	■
2.2 dCi (JE0S) (G9T 710)	01/01-	Diesel	FWD	2188	85	115	07.00-10.02	■
2.2 dCi (JE0K) (G9T 642)		Diesel	FWD	2188	95	130	10.00-10.02	■
2.2 dCi (JE0K) (G9T 710)		Diesel	FWD	2188	95	130	10.00-10.02	■
FLUENCE / SYMBOL (L3_) 02.10-				Saloon (Luxury car-F Segment)				
1.6 16V (K4M 838)		Gasolina	FWD	1598	78	106	02.10-	■

LISTA DE APLICACIONES - BUYERS GUIDE

1.6 16V (L301, L30F, L30P, L30R) (K4M 838)		Gasolina	FWD	1598	81	110	02.10-	■	
1.6 16V (L301, L30F, L30P, L30R) (K4M 839)		Gasolina	FWD	1598	81	110	02.10-	■	
1.6 16V (L301, L30P, L30R) (K4M 838)		Gasolina	FWD	1598	82	111	02.10-	■	
1.6 (L33J)		Gasolina	FWD	1598	84	114	11.15-	■	
1.6 (L33T, L33J, L304, L305, L30H) (H4M 729)		Gasolina	FWD	1598	86	117	01.13-	■	
2.0 16V		Gasolina	FWD	1997	101	137	05.11-	■	
2.0 16V (L30C, L30G, L30T, L30V) (M4R 714)		Gasolina	FWD	1997	103	140	02.10-	■	
2.0 16V (L30C, L30G, L30T, L30V) (M4R 751)		Gasolina	FWD	1997	103	140	02.10-	■	
2.0 (M4R 714)		Gasolina	FWD	1997	105	143	05.14-	■	
2.0 (M4R 751)		Gasolina	FWD	1997	105	143	05.14-	■	
1.6 LPG 16V (K4M 839)		Gasol./Gas (LPG)	FWD	1598	81	110	01.12-	■	
2.0 Flex		Gasol./Etanol	FWD	1997	105	143	02.10-11.18	■	
Z.E. (5AM 400)		Eléctrico	FWD		70	95	02.12-	■	
1.5 dCi (L30A) (K9K 830)		Diesel	FWD	1461	63	86	02.10-	■	
1.5 dCi (L30S) (K9K 834)		Diesel	FWD	1461	66	90	02.10-	■	
1.5 dCi (K9K 826)		Diesel	FWD	1461	70	95	07.14-	■	
1.5 dCi (L30B) (K9K 832)		Diesel	FWD	1461	78	106	02.10-	■	
1.5 dCi (L30D, L30L, L306, L33F, L33L, L33M, L33V, L33W) (K9K 656)		Diesel	FWD	1461	81	110	02.10-	■	
1.5 dCi (L30D, L30L, L306, L33F, L33L, L33M, L33V, L33W) (K9K 657)		Diesel	FWD	1461	81	110	02.10-	■	
1.5 dCi (L30D, L30L, L306, L33F, L33L, L33M, L33V, L33W) (K9K 836)		Diesel	FWD	1461	81	110	02.10-	■	
1.5 dCi (L30D, L30L, L306, L33F, L33L, L33M, L33V, L33W) (K9K 837)		Diesel	FWD	1461	81	110	02.10-	■	
1.6 dCi (R9M 402)	not elec.brak.detent, EQPARG, EQPRUS, EQPEXP, EQPCOR	Diesel	FWD	1598	96	130	01.13-	■	
GRAND SCÉNIC II (JM0/1_) 04.04-							MPV (Compact MPV-M1 Segment)		
1.6 (K4M 788)		Gasolina	FWD	1598	77	105	06.06-11.08	■	
1.6 (K4M 812)		Gasolina	FWD	1598	82	112	06.06-11.08	■	
1.6 (K4M 761)		Gasolina	FWD	1598	83	113	04.04-08.06	■	
1.6 (K4M 782)		Gasolina	FWD	1598	83	113	04.04-08.06	■	
2.0 (F4R 770)		Gasolina	FWD	1998	99	135	04.04-06.09	■	
2.0 (F4R 771)		Gasolina	FWD	1998	99	135	04.04-06.09	■	
2.0 (F4R 776)		Gasolina	FWD	1998	120	163	04.04-06.09	■	
1.6 Flex (K4M 766)		Gasol./Etanol	FWD	1598	82	112	06.06-06.09	■	
1.5 dCi (JM02, JM13) (K9K 728)		Diesel	FWD	1461	74	101	04.04-11.08	■	
1.5 dCi (K9K 734)		Diesel	FWD	1461	76	103	06.06-11.08	■	
1.5 dCi (JM1E) (K9K 732)		Diesel	FWD	1461	78	106	05.05-01.09	■	
1.9 dCi (JM15) (F9Q E 804)		Diesel	FWD	1870	81	110	05.05-11.08	■	
1.9 dCi (F9Q 803)		Diesel	FWD	1870	85	116	05.05-01.09	■	
1.9 dCi (F9Q 804)		Diesel	FWD	1870	85	116	05.05-01.09	■	
1.9 dCi (F9Q 812)		Diesel	FWD	1870	85	116	05.05-01.09	■	
1.9 dCi (JM0G, JM12, JM1G, JM2C) (F9Q 812)		Diesel	FWD	1870	88	120	04.04-05.06	■	
1.9 dCi (JM14) (F9Q 816)		Diesel	FWD	1870	96	131	04.04-02.08	■	
1.9 dCi (JM14) (F9Q 818)		Diesel	FWD	1870	96	131	04.04-02.08	■	
1.9 dCi (JM14) (F9Q EE 804)		Diesel	FWD	1870	96	131	04.04-02.08	■	
1.9 dCi (JM14) (F9Q J 803)		Diesel	FWD	1870	96	131	04.04-02.08	■	
2.0 dCi (JM1K) (M9R 700)		Diesel	FWD	1995	110	150	09.05-11.08	■	
2.0 dCi (JM1K) (M9R 721)		Diesel	FWD	1995	110	150	09.05-11.08	■	
2.0 dCi (JM1K) (M9R 722)		Diesel	FWD	1995	110	150	09.05-11.08	■	

LISTA DE APLICACIONES - BUYERS GUIDE

GRAND SCÉNIC III (JZ0/1_) 02.09-					MPV (Compact MPV-M1 Segment)			
1.2 TCe (JZ11, JZ28) (H5F 400)		Gasolina	FWD	1197	85	116	04.12-09.16	■
1.2 TCe (JZ28) (H5F 408)		Gasolina	FWD	1197	96	131	07.14-09.16	■
1.2 TCe (JZ16) (H5F 404)		Gasolina	FWD	1197	97	132	01.13-09.16	■
1.4 16V (JZ0F) (H4J 700)		Gasolina	FWD	1397	96	131	02.09-09.16	■
1.6 16V (JZ0U) (K4M 858)		Gasolina	FWD	1598	81	109	02.09-09.16	■
2.0 16V (JZ0G) (M4R 711)		Gasolina	FWD	1997	103	140	02.09-09.16	■
1.6 16V Bifuel (JZ1Y) (K4M 866)		Gasol./Gas (LPG)	FWD	1598	79	107	04.12-09.16	■
1.6 16V Bifuel (JZ1Y) (K4M 866)		Gasol./Gas (LPG)	FWD	1598	81	110	02.09-09.16	■
1.6 E85 (JZ03, JZ1Y) (K4M 866)		Gasol./Etanol	FWD	1598	81	110	02.09-09.16	■
1.5 dCi (JZ0A) (K9K 830)		Diesel	FWD	1461	63	86	04.09-09.16	■
1.5 dCi (JZ02, JZ0R) (K9K 846)		Diesel	FWD	1461	70	95	11.10-09.16	■
1.5 dCi (JZ0B, JZ07) (K9K 832)		Diesel	FWD	1461	78	106	02.09-09.16	■
1.5 dCi (JZ09, JZ0D, JZ10, JZ14, JZ1G, JZ29, JZ2C) (K9K 636)		Diesel	FWD	1461	81	110	04.09-09.16	■
1.5 dCi (JZ09, JZ0D, JZ10, JZ14, JZ1G, JZ29, JZ2C) (K9K 836)		Diesel	FWD	1461	81	110	04.09-09.16	■
1.5 dCi (JZ09, JZ0D, JZ10, JZ14, JZ1G, JZ29, JZ2C) (K9K 837)		Diesel	FWD	1461	81	110	04.09-09.16	■
1.6 dCi (JZ00, JZ12) (R9M 402)		Diesel	FWD	1598	96	130	04.11-09.16	■
1.6 dCi (JZ00, JZ12) (R9M 404)		Diesel	FWD	1598	96	130	04.11-09.16	■
1.6 dCi (JZ00, JZ12) (R9M 414)		Diesel	FWD	1598	96	130	04.11-09.16	■
1.9 dCi (JZ0J, JZ0N, JZ1K, JZ1S) (F9Q 870)		Diesel	FWD	1870	96	131	02.09-09.16	■
1.9 dCi (JZ0J, JZ0N, JZ1K, JZ1S) (F9Q 872)		Diesel	FWD	1870	96	131	02.09-09.16	■
2.0 dCi (JZ0Y, JZ26) (M9R 615)		Diesel	FWD	1995	110	150	02.09-09.16	■
2.0 dCi (JZ0L) (M9R 610)		Diesel	FWD	1995	118	160	04.09-09.16	■
GRAND SCÉNIC IV (R9_) 09.16-					MPV (Compact MPV-M1 Segment)			
1.2 TCe 115 (H5F 408)		Gasolina	FWD	1198	85	115	09.16-03.23	■
1.2 TCe 130 (H5F 408)		Gasolina	FWD	1198	96	130	09.16-03.23	■
1.3 TCe 115 (R9N9) (H5H 450)		Gasolina	FWD	1332	85	115	01.18-03.23	■
1.3 TCe 115 (R9N9) (H5H 470)		Gasolina	FWD	1332	85	115	01.18-03.23	■
1.3 TCe 140 (R9NB) (H5H 450)		Gasolina	FWD	1332	103	140	01.18-03.23	■
1.3 TCe 140 (R9NB) (H5H 470)		Gasolina	FWD	1332	103	140	01.18-03.23	■
1.3 TCe 160 (R9NC)		Gasolina	FWD	1332	116	158	01.22-03.23	■
1.3 TCe 160 (R9NC) (H5H 470)		Gasolina	FWD	1332	117	159	09.18-03.23	■
1.3 TCe 160 (H5H 450)		Gasolina	FWD	1332	120	163	01.18-03.23	■
1.5 dCi 95 Hybrid Assist (R9A3)		Diesel/eléc.	FWD	1461	70	95	11.16-03.23	■
1.5 dCi 110 Hybrid Assist (R9AE, R9A3) (K9K 500)	not elec.brak.detent	Diesel/eléc.	FWD	1461	81	110	04.17-03.23	■
1.5 dCi 110 Hybrid Assist (R9AE, R9A3) (K9K 502)	not elec.brak.detent	Diesel/eléc.	FWD	1461	81	110	04.17-03.23	■
1.5 dCi 110 (R9A3) (K9K 646)		Diesel	FWD	1461	81	110	09.16-03.23	■
1.5 dCi 110 (R9A3) (K9K 647)		Diesel	FWD	1461	81	110	09.16-03.23	■
1.6 dCi 130 (R9M 409)		Diesel	FWD	1598	96	130	09.16-03.23	■
1.6 dCi 160 (R9M 452)		Diesel	FWD	1598	118	160	09.16-03.23	■
1.7 Blue dCi 120 (R9A7, R9A8) (R9N 400)		Diesel	FWD	1749	88	120	08.18-03.23	■
1.7 Blue dCi 120 (R9A7, R9A8) (R9N 401)		Diesel	FWD	1749	88	120	08.18-03.23	■
1.7 Blue dCi 150 (R9A7, R9A8) (R9N 401)		Diesel	FWD	1749	110	150	08.18-03.23	■
MEGANE Grandtour (KA0/1_) 03.99-08.03					Estate (Compact car-C Segment)			
1.6 16V (KA0B, KA04, KA11) (K4M 700)		Gasolina	FWD	1598	79	107	03.99-08.03	■
1.6 16V (KA0B, KA04, KA11) (K4M 701)		Gasolina	FWD	1598	79	107	03.99-08.03	■

LISTA DE APLICACIONES - BUYERS GUIDE

1.6 16V (KA0B, KA04, KA11) (K4M 708)		Gasolina	FWD	1598	79	107	03.99-08.03	■
1.6 16V (KA0B, KA04, KA11) (K4M 709)		Gasolina	FWD	1598	79	107	03.99-08.03	■
1.8 16V (KA0S, KA12, KA1A, KA1M, KA1R) (F4P 720)		Gasolina	FWD	1783	85	115	01.01-08.03	■
1.8 16V (KA0S, KA12, KA1A, KA1M, KA1R) (F4P 722)		Gasolina	FWD	1783	85	115	01.01-08.03	■
1.9 dTi (KA1U) (F9Q 744)		Diesel	FWD	1870	59	80	02.01-08.03	■
1.9 dCi (KA05, KA1F) (F9Q 732)		Diesel	FWD	1870	75	102	02.01-08.03	■
1.9 dCi (KA05, KA1F) (F9Q 733)		Diesel	FWD	1870	75	102	02.01-08.03	■
1.9 dCi (KA05, KA1F) (F9Q 738)		Diesel	FWD	1870	75	102	02.01-08.03	■
1.9 dCi (F9Q 732)		Diesel	FWD	1870	77	105	03.99-09.00	■
MEGANE IV (LVA/M/N) 10.16-				Saloon (Compact car-C Segment)				
1.2 TCe 130 (H5F 408)		Gasolina	FWD	1197	97	130	10.16-	■
1.3 TCe 115 (LVN9) (H5H 450)		Gasolina	FWD	1332	85	116	01.18-	■
1.3 TCe 115 (LVN9) (H5H 470)		Gasolina	FWD	1332	85	116	01.18-	■
1.3 TCe 140 (LVNB) (H5H 450)		Gasolina	FWD	1332	103	140	01.18-	■
1.3 TCe 140 (LVNB) (H5H 470)		Gasolina	FWD	1332	103	140	01.18-	■
1.6 SCe (LVM0)		Gasolina	FWD	1598	84	115	10.16-	■
1.5 dCi 90 (LVA1) (K9K 656)		Diesel	FWD	1461	66	90	10.16-	■
1.5 Blue dCi 95 (LVA2) (K9K 872)		Diesel	FWD	1461	70	95	02.19-	■
1.5 dCi 110		Diesel	FWD	1461	81	110	10.16-	■
1.5 Blue dCi 115 (LVA6) (K9K 872)		Diesel	FWD	1461	85	115	02.19-	■
1.5 Blue dCi 115 (LVA6) (K9K 873)		Diesel	FWD	1461	85	115	02.19-	■
1.6 dCi 130		Diesel	FWD	1598	96	130	10.16-	■
MEGANE II (EM0/1_) 09.03-03.10				Convertible (Compact car-C Segment)				
1.6 (K4M 788)		Gasolina	FWD	1598	77	105	06.05-03.09	■
1.6 16V (K4M 760)		Gasolina	FWD	1598	82	112	01.06-06.08	■
1.6 16V (K4M 761)		Gasolina	FWD	1598	82	112	01.06-06.08	■
1.6 16V (K4M 812)		Gasolina	FWD	1598	82	112	01.06-06.08	■
1.6 16V (K4M 813)		Gasolina	FWD	1598	82	112	01.06-06.08	■
1.6 (K4M 760)		Gasolina	FWD	1598	83	113	09.03-03.09	■
1.6 (K4M 761)		Gasolina	FWD	1598	83	113	09.03-03.09	■
2.0 (F4R 770)		Gasolina	FWD	1998	99	135	09.03-12.09	■
2.0 (F4R 771)		Gasolina	FWD	1998	99	135	09.03-12.09	■
2.0 (EM0S) (F4R 770)		Gasolina	FWD	1998	102	139	09.03-02.07	■
2.0 (EM0S) (F4R 771)		Gasolina	FWD	1998	102	139	09.03-02.07	■
2.0 16V Turbo (F4R 776)		Gasolina	FWD	1998	120	163	05.04-03.09	■
1.5 dCi (EM16) (K9K 734)		Diesel	FWD	1461	76	103	01.07-06.09	■
1.5 dCi (EM1E) (K9K 732)		Diesel	FWD	1461	78	106	03.06-01.09	■
1.9 dCi (F9Q 804)		Diesel	FWD	1870	81	110	05.05-03.09	■
1.9 dCi (F9Q 816)		Diesel	FWD	1870	81	110	05.05-03.09	■
1.9 dCi (F9Q 818)		Diesel	FWD	1870	81	110	05.05-03.09	■
1.9 dCi (F9Q 804)		Diesel	FWD	1870	85	115	09.03-03.09	■
1.9 dCi (F9Q 816)		Diesel	FWD	1870	85	115	09.03-03.09	■
1.9 dCi (F9Q 818)		Diesel	FWD	1870	85	115	09.03-03.09	■
1.9 dCi (F9Q 800)		Diesel	FWD	1870	88	120	09.03-03.09	■
1.9 dCi (F9Q 803)		Diesel	FWD	1870	96	131	05.05-02.07	■
1.9 dCi (F9Q 804)		Diesel	FWD	1870	96	131	05.05-02.07	■
2.0 dCi (M9R 700)	01/06-	Diesel	FWD	1995	110	150	09.05-03.09	■
2.0 dCi (M9R 722)	01/06-	Diesel	FWD	1995	110	150	09.05-03.09	■

LISTA DE APLICACIONES - BUYERS GUIDE

					Estate Van (Compact car-C Segment)				
MEGANE II (KM_) 08.03-07.09									
1.6 (KM0C) (K4M 780)		Gasolina	FWD	1598	82	111	10.03-01.08	■	
1.5 dCi (KM0F) (K9K 722)		Diesel	FWD	1461	60	82	08.03-07.09	■	
1.5 dCi (KM1F) (K9K 724)		Diesel	FWD	1461	63	86	05.05-07.09	■	
1.5 dCi (KM02) (K9K 728)		Diesel	FWD	1461	74	101	08.03-07.09	■	
1.5 dCi (KM1E) (K9K 732)		Diesel	FWD	1461	78	106	08.03-07.09	■	
1.9 dCi (KM14) (F9Q E 804)		Diesel	FWD	1870	96	131	02.06-10.06	■	
MEGANE II (KM0/1_) 08.03-08.12					Estate (Compact car-C Segment)				
1.4 (K4J 730)		Gasolina	FWD	1390	72	98	08.03-07.09	■	
1.4 (K4J 740)		Gasolina	FWD	1390	72	98	08.03-07.09	■	
1.6 16V (K4M 768)		Gasolina	FWD	1598	75	102	05.05-07.09	■	
1.6 16V (K4M 762)		Gasolina	FWD	1598	77	105	05.05-07.09	■	
1.6 16V (K4M 762)		Gasolina	FWD	1598	81	110	05.06-10.11	■	
1.6 16V (K4M 760)		Gasolina	FWD	1598	82	112	01.06-08.09	■	
1.6 16V (K4M 761)		Gasolina	FWD	1598	82	112	01.06-08.09	■	
1.6 16V (K4M 812)		Gasolina	FWD	1598	82	112	01.06-08.09	■	
1.6 16V (K4M 813)		Gasolina	FWD	1598	82	112	01.06-08.09	■	
1.6 (K4M 760)		Gasolina	FWD	1598	83	113	08.03-07.09	■	
1.6 (K4M 761)		Gasolina	FWD	1598	83	113	08.03-07.09	■	
2.0 (F4R 770)	Type KM0S,KM2G,KM1N,KM2N	Gasolina	FWD	1998	99	135	08.03-07.09	■	
2.0 (F4R 771)	Type KM0S,KM2G,KM1N,KM2N	Gasolina	FWD	1998	99	135	08.03-07.09	■	
2.0 (KM0S, KM2N, KM23) (F4R 770)		Gasolina	FWD	1998	102	138	12.06-01.11	■	
2.0 (KM0S, KM2N, KM23) (F4R 771)		Gasolina	FWD	1998	102	138	12.06-01.11	■	
1.6 LPG 16V (K4M 760)		Gasol./G as (LPG)	FWD	1598	82	112	01.06-08.09	■	
1.6 16V Hi-Flex (K4M 856)		Gasol./Et anol	FWD	1598	77	105	02.08-07.09	■	
1.6 Flex		Gasol./Et anol	FWD	1598	81	110	12.06-08.12	■	
1.5 dCi (KM0F, KM0T, KM2B) (K9K 722)		Diesel	FWD	1461	60	82	08.03-05.06	■	
1.5 dCi (KM1F) (K9K 724)		Diesel	FWD	1461	63	86	05.05-07.09	■	
1.5 dCi (KM02, KM13) (K9K 728)		Diesel	FWD	1461	74	101	02.04-03.06	■	
1.5 dCi (KM02, KM13) (K9K 729)		Diesel	FWD	1461	74	101	02.04-03.06	■	
1.5 dCi (KM16) (K9K 734)		Diesel	FWD	1461	76	103	01.07-07.09	■	
1.5 dCi (KM16, KM1E) (K9K 732)		Diesel	FWD	1461	78	106	05.05-06.08	■	
1.9 dCi (F9Q 808)		Diesel	FWD	1870	66	90	04.04-12.05	■	
1.9 dCi (F9Q 808)		Diesel	FWD	1870	68	92	03.04-02.07	■	
1.9 dCi (F9Q 804)		Diesel	FWD	1870	81	110	05.05-07.09	■	
1.9 dCi (F9Q 818)		Diesel	FWD	1870	81	110	05.05-07.09	■	
1.9 dCi (KM14) (F9Q 818)		Diesel	FWD	1870	85	115	05.05-07.09	■	
1.9 dCi (KMRG, KM1G, KM0G, KM2C) (F9Q 800)		Diesel	FWD	1870	88	120	08.03-07.09	■	
1.9 dCi (KM14) (F9Q 803)		Diesel	FWD	1870	96	131	05.05-07.09	■	
1.9 dCi (KM14) (F9Q 804)		Diesel	FWD	1870	96	131	05.05-07.09	■	
2.0 dCi (M9R 700)	01/06-	Diesel	FWD	1995	110	150	09.05-07.09	■	
2.0 dCi (M9R 722)	01/06-	Diesel	FWD	1995	110	150	09.05-07.09	■	
MEGANE II (BM0/1_, CM0/1_) 07.01-10.12					Hatchback (Compact car-C Segment)				
1.4 16V (K4J 732)		Gasolina	FWD	1390	60	82	10.03-02.08	■	
1.4 16V (BM0B, CM0B) (K4J 730)		Gasolina	FWD	1390	72	98	11.02-02.08	■	
1.4 16V (BM0B, CM0B) (K4J 740)		Gasolina	FWD	1390	72	98	11.02-02.08	■	
1.6 (K4M 788)		Gasolina	FWD	1598	77	105	06.05-02.08	■	

LISTA DE APLICACIONES - BUYERS GUIDE

1.6 16V (K4M 760)		Gasolina	FWD	1598	82	112	01.06-06.08	■	
1.6 16V (K4M 812)		Gasolina	FWD	1598	82	112	01.06-06.08	■	
1.6 16V (K4M 813)		Gasolina	FWD	1598	82	112	01.06-06.08	■	
1.6 16V (BM0C, CM0C) (K4M 760)		Gasolina	FWD	1598	83	113	11.02-02.08	■	
2.0 16V (BM0U, CM0U) (F4R 770)		Gasolina	FWD	1998	99	135	11.02-02.08	■	
2.0 16V Turbo (F4R 776)		Gasolina	FWD	1998	120	163	05.04-02.08	■	
2.0 Renault Sport (F4R 774)		Gasolina	FWD	1998	165	224	05.04-10.09	■	
2.0 Renault Sport (F4RT 774)		Gasolina	FWD	1998	165	224	05.04-10.09	■	
2.0 (F4R 774)		Gasolina	FWD	1998	169	230	08.06-02.08	■	
1.6 BiFuel (K4M 788)		Gasol./Gas (LPG)	FWD	1598	77	105	06.05-02.08	■	
1.6 Flex-Fuel (K4M 788)		Gasol./Etanol	FWD	1598	77	105	01.07-02.08	■	
1.5 dCi (BM0F, BM0T, BM2B, CM0F, CM0T) (K9K 722)		Diesel	FWD	1461	60	82	09.02-02.08	■	
1.5 dCi (BM1F, CM1F) (K9K 724)		Diesel	FWD	1461	63	86	05.05-02.08	■	
1.5 dCi (BM02, BM13, BM2A, CM02, CM13) (K9K 728)		Diesel	FWD	1461	74	101	10.03-02.08	■	
1.5 dCi (BM02, BM13, BM2A, CM02, CM13) (K9K 729)		Diesel	FWD	1461	74	101	10.03-02.08	■	
1.5 dCi (BM16, CM16) (K9K 734)		Diesel	FWD	1461	76	103	01.07-03.09	■	
1.5 dCi (BM1E, CM1E) (K9K 732)		Diesel	FWD	1461	78	106	05.05-06.08	■	
1.9 dCi (F9Q 808)		Diesel	FWD	1870	66	90	11.02-12.05	■	
1.9 dCi (F9Q 808)		Diesel	FWD	1870	68	92	03.04-08.06	■	
1.9 dCi (F9Q 804)		Diesel	FWD	1870	81	110	05.05-02.08	■	
1.9 dCi (F9Q 818)		Diesel	FWD	1870	81	110	05.05-02.08	■	
1.9 dCi (F9Q 804)		Diesel	FWD	1870	85	115	11.02-02.08	■	
1.9 dCi (F9Q 816)		Diesel	FWD	1870	85	115	11.02-02.08	■	
1.9 dCi (F9Q 818)		Diesel	FWD	1870	85	115	11.02-02.08	■	
1.9 dCi (BM0G, CM0G) (F9Q 800)		Diesel	FWD	1870	88	120	11.02-02.08	■	
1.9 dCi (F9Q 803)		Diesel	FWD	1870	96	131	05.05-12.09	■	
1.9 dCi (F9Q 804)		Diesel	FWD	1870	96	131	05.05-12.09	■	
1.9 dCi (F9Q 816)		Diesel	FWD	1870	96	131	05.05-12.09	■	
1.9 dCi (F9Q 818)		Diesel	FWD	1870	96	131	05.05-12.09	■	
2.0 dCi (BM1K, CM1K) (M9R 700)	01/06-	Diesel	FWD	1995	110	150	09.05-02.08	■	
2.0 dCi (BM1K, CM1K) (M9R 722)	01/06-	Diesel	FWD	1995	110	150	09.05-02.08	■	
2.0 dCi (M9R 724)		Diesel	FWD	1995	127	173	01.07-02.08	■	
MEGANE II (LM0/1_) 08.03-							Saloon (Compact car-C Segment)		
1.4 (K4J 732)	-12/09	Gasolina	FWD	1390	60	82	09.03-	■	
1.4 (K4J 730)	-12/09	Gasolina	FWD	1390	72	98	09.03-	■	
1.4 (K4J 740)	-12/09	Gasolina	FWD	1390	72	98	09.03-	■	
1.6	-12/09	Gasolina	FWD	1598	75	102	09.03-	■	
1.6 (K4M 762)	-12/09	Gasolina	FWD	1598	77	105	05.05-	■	
1.6 (K4M 760)		Gasolina	FWD	1598	81	110	09.03-11.08	■	
1.6 (K4M 761)		Gasolina	FWD	1598	81	110	09.03-11.08	■	
1.6 16V (LM1R, LM0C) (K4M 760)	-12/09	Gasolina	FWD	1598	82	112	01.06-	■	
1.6 16V (LM1R, LM0C) (K4M 761)	-12/09	Gasolina	FWD	1598	82	112	01.06-	■	
1.6 16V (LM1R, LM0C) (K4M 812)	-12/09	Gasolina	FWD	1598	82	112	01.06-	■	
1.6 16V (LM1R, LM0C) (K4M 813)	-12/09	Gasolina	FWD	1598	82	112	01.06-	■	
1.6 (K4M 760)	-12/09	Gasolina	FWD	1598	83	113	09.03-	■	
1.6 (K4M 761)	-12/09	Gasolina	FWD	1598	83	113	09.03-	■	
2.0 (F4R 770)	-12/09	Gasolina	FWD	1998	99	135	09.03-	■	
2.0 (F4R 771)	-12/09	Gasolina	FWD	1998	99	135	09.03-	■	
2.0 (F4R 770)		Gasolina	FWD	1998	101	138	04.06-11.10	■	

LISTA DE APLICACIONES - BUYERS GUIDE

1.5 dCi (LM0F, LM0T, LM2B) (K9K 722)	-12/09	Diesel	FWD	1461	60	82	08.03-12.10	■	
1.5 dCi (LM1F) (K9K 724)	-12/09	Diesel	FWD	1461	63	86	05.05-12.10	■	
1.5 dCi (LM02, LM13, LM2A) (K9K 728)	-12/09	Diesel	FWD	1461	74	101	02.04-12.10	■	
1.5 dCi (LM02, LM13, LM2A) (K9K 729)	-12/09	Diesel	FWD	1461	74	101	02.04-12.10	■	
1.5 dCi (LM16) (K9K 734)	-12/09	Diesel	FWD	1461	76	103	10.03-12.10	■	
1.5 dCi (LM1E) (K9K 732)	-12/09	Diesel	FWD	1461	78	106	05.05-12.10	■	
1.9 dCi (F9Q 808)		Diesel	FWD	1870	66	90	09.03-12.05	■	
1.9 dCi (F9Q 808)	-12/09	Diesel	FWD	1870	68	92	03.04-	■	
1.9 dCi (LM14, LM1D) (F9Q 803)	-12/09	Diesel	FWD	1870	81	110	05.05-	■	
1.9 dCi (LM14, LM1D) (F9Q 804)	-12/09	Diesel	FWD	1870	81	110	05.05-	■	
1.9 dCi (LM14, LM1D) (F9Q 816)	-12/09	Diesel	FWD	1870	81	110	05.05-	■	
1.9 dCi (LM14, LM1D) (F9Q 818)	-12/09	Diesel	FWD	1870	81	110	05.05-	■	
1.9 dCi (LM0G, LM1G, LM2C) (F9Q 800)	-12/09	Diesel	FWD	1870	88	120	09.03-	■	
1.9 dCi (F9Q 803)	-12/09	Diesel	FWD	1870	96	131	05.05-	■	
1.9 dCi (F9Q 804)	-12/09	Diesel	FWD	1870	96	131	05.05-	■	
2.0 dCi (M9R 700)	-12/09	Diesel	FWD	1995	110	150	09.05-	■	
2.0 dCi (M9R 722)	-12/09	Diesel	FWD	1995	110	150	09.05-	■	
MEGANE II Hatchback Van (KM0/2_) 08.03-07.09							Hatchback Van (Compact car-C Segment)		
1.5 dCi (K9K 722)		Diesel	FWD	1461	60	82	08.03-02.08	■	
1.5 dCi (K9K 724)		Diesel	FWD	1461	63	86	04.05-02.08	■	
1.5 dCi (K9K 728)		Diesel	FWD	1461	74	101	08.03-02.08	■	
1.5 dCi (K9K 734)		Diesel	FWD	1461	76	103	01.07-03.09	■	
1.5 dCi (K9K 732)		Diesel	FWD	1461	78	106	05.05-02.08	■	
MEGANE III (DZ0/1_) 11.08-							Coupe (Compact car-C Segment)		
1.2 TCe (DZ16, DZ28) (H5F 404)		Gasolina	FWD	1197	97	132	01.13-08.15	■	
1.2 TCe (DZ16, DZ28) (H5F 405)		Gasolina	FWD	1197	97	132	01.13-08.15	■	
1.2 TCe (DZ16, DZ28) (H5F 412)		Gasolina	FWD	1197	97	132	01.13-08.15	■	
1.2 TCe (DZ2B, DZ11) (H5F 400)		Gasolina	FWD	1198	85	116	03.12-08.15	■	
1.2 TCe (DZ2B, DZ11) (H5F 408)		Gasolina	FWD	1198	85	116	03.12-08.15	■	
1.4 TCe (DZ0F, DZ1V) (H4J 700)		Gasolina	FWD	1397	96	131	04.09-08.15	■	
1.6 16V (DZ0H) (K4M 848)		Gasolina	FWD	1598	74	101	11.08-08.15	■	
1.6 16V (DZ0U, DZ1B, DZ1H) (K4M 858)	01/09-	Gasolina	FWD	1598	81	110	11.08-08.15	■	
2.0 CVT (DZ0G, DZ1E) (M4R 711)		Gasolina	FWD	1997	103	140	05.09-08.15	■	
2.0 TCe (DZ0K) (F4R 870)	01/09-	Gasolina	FWD	1998	132	180	11.08-08.15	■	
2.0 TCe (F4R 872)	not elec.brak.detent	Gasolina	FWD	1998	140	190	06.12-08.15	■	
2.0 TCe 220 (F4R 874)	not elec.brak.detent	Gasolina	FWD	1998	162	220	11.13-08.15	■	
2.0 TCe (DZ1N) (F4R 874)	not elec.brak.detent	Gasolina	FWD	1998	184	250	05.09-08.15	■	
2.0 R.S. (F4R 874)	not elec.brak.detent	Gasolina	FWD	1998	195	265	11.08-09.16	■	
2.0 R.S. (F4R 874)		Gasolina	FWD	1998	201	273	07.14-09.16	■	
1.6 16V Bifuel (DZ03, DZ1Y) (K4M 866)		Gasol./Gas (LPG)	FWD	1598	81	110	11.08-08.15	■	
1.5 dCi (DZ0A) (K9K 830)		Diesel	FWD	1461	63	86	11.08-08.15	■	
1.5 dCi (DZ0C, DZ1A) (K9K 834)	01/09-	Diesel	FWD	1461	66	90	11.08-08.15	■	
1.5 dCi (K9K 846)		Diesel	FWD	1461	70	95	07.14-08.15	■	
1.5 dCi (DZ0B) (K9K 832)		Diesel	FWD	1461	78	106	02.09-08.15	■	
1.5 dCi (DZ09, DZ0D, DZ1F, DZ1G, DZ14, DZ29) (K9K 636)		Diesel	FWD	1461	81	110	02.09-08.15	■	
1.5 dCi (DZ09, DZ0D, DZ1F, DZ1G, DZ14, DZ29) (K9K 836)		Diesel	FWD	1461	81	110	02.09-08.15	■	
1.5 dCi (DZ09, DZ0D, DZ1F, DZ1G, DZ14, DZ29) (K9K 837)		Diesel	FWD	1461	81	110	02.09-08.15	■	
1.5 dCi (DZ09, DZ0D, DZ1F, DZ1G, DZ14, DZ29) (K9K 846)		Diesel	FWD	1461	81	110	02.09-08.15	■	

LISTA DE APLICACIONES - BUYERS GUIDE

1.6 dCi (DZ00, DZ12, DZ2A, DZ13) (R9M 402)		Diesel	FWD	1598	96	130	04.11-08.15	■
1.9 dCi (DZ0N, DZ0J, DZ1J, DZ1K) (F9Q 870)	01/09-	Diesel	FWD	1870	96	131	11.08-08.15	■
1.9 dCi (DZ0N, DZ0J, DZ1J, DZ1K) (F9Q 872)	01/09-	Diesel	FWD	1870	96	131	11.08-08.15	■
2.0 dCi (DZ0Y) (M9R 615)		Diesel	FWD	1995	110	150	04.09-08.15	■
2.0 dCi (DZ0L) (M9R 610)		Diesel	FWD	1995	118	160	04.09-08.15	■
2.0 dCi (M9R 610)	not elec.brak.detent	Diesel	FWD	1995	120	163	07.12-08.15	■
							Hatchback (Compact car-C Segment)	
MEGANE III (BZ0/1_, B3_) 11.08-								
1.2 TCe (BZ16, BZ28) (H5F 404)		Gasolina	FWD	1197	97	132	01.13-01.16	■
1.2 TCe (BZ16, BZ28) (H5F 405)		Gasolina	FWD	1197	97	132	01.13-01.16	■
1.2 TCe (BZ16, BZ28) (H5F 412)		Gasolina	FWD	1197	97	132	01.13-01.16	■
1.2 TCe (BZ2B, BZ11) (H5F 400)		Gasolina	FWD	1198	85	116	03.12-08.15	■
1.2 TCe (BZ2B, BZ11) (H5F 408)		Gasolina	FWD	1198	85	116	03.12-08.15	■
1.4 TCe (BZ0F, BZ1V) (H4J 700)		Gasolina	FWD	1397	96	131	04.09-08.15	■
1.6 16V (BZ0H) (K4M 848)	01/09-	Gasolina	FWD	1598	74	101	11.08-08.15	■
1.6 16V (BZ0H, BZ1R) (K4M 848)		Gasolina	FWD	1598	78	106	01.10-08.15	■
1.6 16V (BZ1B, BZ1H) (K4M 858)	01/09-	Gasolina	FWD	1598	81	110	11.08-03.17	■
1.6 16V (K4M 858)		Gasolina	FWD	1598	82	111	11.08-01.16	■
1.6 16V (K4M 866)		Gasolina	FWD	1598	82	111	11.08-01.16	■
1.6 16V (K4M 848)		Gasolina	FWD	1598	85	116	01.13-08.15	■
1.6 16V (K4M 858)		Gasolina	FWD	1598	85	116	01.13-08.15	■
1.6 (B332) (H4M 729)	not elec.brak.detent	Gasolina	FWD	1598	86	117	01.14-01.16	■
1.6 TCe		Gasolina	FWD	1598	96	131	01.11-	■
2.0 CVT (BZ0G, BZ1P) (M4R 711)		Gasolina	FWD	1997	103	140	02.09-08.15	■
2.0 CVT (BZ0G, BZ1P) (M4R 713)		Gasolina	FWD	1997	103	140	02.09-08.15	■
2.0 (M4R 710)		Gasolina	FWD	1997	105	143	01.11-08.15	■
2.0 (M4R 714)		Gasolina	FWD	1997	105	143	01.11-08.15	■
2.0 TCe (BZ0K) (F4R 870)	01/09-	Gasolina	FWD	1998	132	180	11.08-08.15	■
2.0 TCe (F4R 872)	not elec.brak.detent	Gasolina	FWD	1998	140	190	06.12-08.15	■
2.0 TCe 220 (F4R 874)	not elec.brak.detent	Gasolina	FWD	1998	162	220	11.13-01.16	■
1.6 16V BiFuel (BZ1U, BZ0U) (K4M 858)		Gasol./Gas (LPG)	FWD	1598	81	110	05.09-08.15	■
1.6 16V Hi-Flex (BZ03) (K4M 858)		Gasol./Etanol	FWD	1598	81	110	11.08-08.15	■
1.6 16V Hi-Flex (BZ03) (K4M 866)		Gasol./Etanol	FWD	1598	81	110	11.08-08.15	■
1.5 dCi (K9K 830)		Diesel	FWD	1461	63	86	11.08-08.15	■
1.5 dCi (BZ0C) (K9K 834)	01/09-	Diesel	FWD	1461	66	90	11.08-08.15	■
1.5 dCi (BZ1G, BZ1W, BZ0R) (K9K 846)		Diesel	FWD	1461	70	95	11.13-08.15	■
1.5 dCi (K9K 832)		Diesel	FWD	1461	78	106	12.08-01.16	■
1.5 dCi (BZ09, BZ0D, BZ1W, BZ29, BZ14) (K9K 636)		Diesel	FWD	1461	81	110	02.09-12.15	■
1.5 dCi (BZ09, BZ0D, BZ1W, BZ29, BZ14) (K9K 836)		Diesel	FWD	1461	81	110	02.09-12.15	■
1.5 dCi (BZ09, BZ0D, BZ1W, BZ29, BZ14) (K9K 837)		Diesel	FWD	1461	81	110	02.09-12.15	■
1.5 dCi (BZ09, BZ0D, BZ1W, BZ29, BZ14) (K9K 846)		Diesel	FWD	1461	81	110	02.09-12.15	■
1.5 DCI (BZ29)		Diesel	FWD	1461	81	110	02.09-08.15	■
1.5 dCi	01/09-	Diesel	RWD	1461	96	131	11.08-	■
1.6 dCi (BZ00, BZ12, BZ13) (R9M 402)		Diesel	FWD	1598	96	130	04.11-08.15	■
1.6 dCi (BZ00, BZ12, BZ13) (R9M 404)		Diesel	FWD	1598	96	130	04.11-08.15	■
1.9 dCi (BZ0N, BZ0J) (F9Q 870)		Diesel	FWD	1870	96	131	11.08-01.16	■
1.9 dCi (BZ0N, BZ0J) (F9Q 872)		Diesel	FWD	1870	96	131	11.08-01.16	■
2.0 dCi (BZ0Y) (M9R 615)		Diesel	FWD	1995	110	150	10.10-08.15	■
2.0 dCi (BZ0L) (M9R 610)		Diesel	FWD	1995	118	160	04.09-08.15	■

LISTA DE APLICACIONES - BUYERS GUIDE

2.0 dCi (M9R 610)	not elec.brak.detent	Diesel	FWD	1995	120	163	07.12-08.15	■	
MEGANE III (B95) 06.09-					Saloon (Compact car-C Segment)				
1.9 dCi		Diesel	RWD	1870	96	130	06.09-	■	
MEGANE III Grandtour (KZ0/1) 11.08-					Estate (Compact car-C Segment)				
1.2 TCe (KZ16, KZ28) (H5F 404)		Gasolina	FWD	1197	97	132	01.13-01.16	■	
1.2 TCe (KZ16, KZ28) (H5F 405)		Gasolina	FWD	1197	97	132	01.13-01.16	■	
1.2 TCe (KZ16, KZ28) (H5F 412)		Gasolina	FWD	1197	97	132	01.13-01.16	■	
1.2 TCe (KZ2B, KZ11) (H5F 400)		Gasolina	FWD	1198	85	116	03.12-08.15	■	
1.2 TCe (KZ2B, KZ11) (H5F 408)		Gasolina	FWD	1198	85	116	03.12-08.15	■	
1.4 TCe (KZ0F, KZ1V) (H4J 700)		Gasolina	FWD	1397	96	130	05.09-08.15	■	
1.6 16V (KZ0H) (K4M 848)		Gasolina	FWD	1598	74	101	05.09-08.15	■	
1.6 16V (KZ0U, KZ1B, KZ1U) (K4M 858)		Gasolina	FWD	1598	81	110	05.09-08.15	■	
1.6 16V (KZ0U, KZ1B, KZ1U) (K4M 866)		Gasolina	FWD	1598	81	110	05.09-08.15	■	
2.0 CVT (KZ0G, KZ1P) (M4R 711)		Gasolina	FWD	1997	103	140	05.09-08.15	■	
2.0 CVT (KZ0G, KZ1P) (M4R 713)		Gasolina	FWD	1997	103	140	05.09-08.15	■	
2.0 TCe (KZ0K, KZ1T) (F4R 870)	01/09-	Gasolina	FWD	1998	132	180	11.08-08.15	■	
2.0 TCe (KZ0K, KZ1T) (F4R 872)	01/09-	Gasolina	FWD	1998	132	180	11.08-08.15	■	
2.0 TCe (F4R 872)	not elec.brak.detent	Gasolina	FWD	1998	140	190	09.12-08.15	■	
2.0 TCe (F4R 874)	not elec.brak.detent	Gasolina	FWD	1998	162	220	09.12-01.16	■	
1.6 BiFuel (KZ03) (K4M 866)		Gasol./Gas (LPG)	FWD	1598	81	110	11.08-08.15	■	
1.5 dCi (K9K 830)		Diesel	FWD	1461	63	86	03.09-08.15	■	
1.5 dCi (KZ0C, KZ1A) (K9K 834)		Diesel	FWD	1461	66	90	05.09-08.15	■	
1.5 dCi (KZ1G, KZ1W, KZ0R) (K9K 846)		Diesel	FWD	1461	70	95	11.13-08.15	■	
1.5 dCi (KZ1M, KZ1W, KZ0R) (K9K 832)		Diesel	FWD	1461	78	106	02.09-08.15	■	
1.5 dCi (KZ1M, KZ1W, KZ0R) (K9K 836)		Diesel	FWD	1461	78	106	02.09-08.15	■	
1.5 dCi (KZ1M, KZ1W, KZ0R) (K9K 846)		Diesel	FWD	1461	78	106	02.09-08.15	■	
1.5 dCi (KZ09, KZ0D, KZ1G, KZ29, KZ14, KZ1W, KZ10, KZ1F,...) (K9K 636)		Diesel	FWD	1461	81	110	02.09-08.15	■	
1.5 dCi (KZ09, KZ0D, KZ1G, KZ29, KZ14, KZ1W, KZ10, KZ1F,...) (K9K 836)		Diesel	FWD	1461	81	110	02.09-08.15	■	
1.5 dCi (KZ09, KZ0D, KZ1G, KZ29, KZ14, KZ1W, KZ10, KZ1F,...) (K9K 837)		Diesel	FWD	1461	81	110	02.09-08.15	■	
1.5 dCi (KZ09, KZ0D, KZ1G, KZ29, KZ14, KZ1W, KZ10, KZ1F,...) (K9K 846)		Diesel	FWD	1461	81	110	02.09-08.15	■	
1.6 dCi (KZ00, KZ12, KZ13) (R9M 402)		Diesel	FWD	1598	96	130	04.11-08.15	■	
1.6 dCi (KZ00, KZ12, KZ13) (R9M 404)		Diesel	FWD	1598	96	130	04.11-08.15	■	
1.6 dCi (KZ00, KZ12, KZ13) (R9M 414)		Diesel	FWD	1598	96	130	04.11-08.15	■	
1.9 dCi (KZ0J, KZ0N, KZ1S) (F9Q 870)		Diesel	FWD	1870	96	131	05.09-08.15	■	
1.9 dCi (KZ0J, KZ0N, KZ1S) (F9Q 872)		Diesel	FWD	1870	96	131	05.09-08.15	■	
2.0 dCi (KZ0Y) (M9R 615)		Diesel	FWD	1995	110	150	10.10-08.15	■	
2.0 dCi (KZ0L) (M9R 610)		Diesel	FWD	1995	118	160	04.09-08.15	■	
2.0 dCi (M9R 610)	not elec.brak.detent	Diesel	FWD	1995	120	163	07.12-08.15	■	
MEGANE III Hatchback Van (BZ_) 11.08-08.15					Hatchback Van (Compact car-C Segment)				
1.5 dCi (BZ0C, BZ1A) (K9K 834)		Diesel	FWD	1461	66	90	11.08-08.15	■	
1.5 dCi (BZ0D, BZ1G, BZ1F, BZ1M, BZ1W, BZ0R, BZ10) (K9K 836)		Diesel	FWD	1461	81	110	02.09-08.15	■	
1.5 dCi (BZ0D, BZ1G, BZ1F, BZ1M, BZ1W, BZ0R, BZ10) (K9K 846)		Diesel	FWD	1461	81	110	02.09-08.15	■	
MEGANE III CC (EZ0/1_) 06.10-					Convertible (Compact car-C Segment)				
1.2 TCe (EZ16) (H5F 404)		Gasolina	FWD	1197	97	132	01.13-08.15	■	
1.2 TCe (H5F 400)		Gasolina	FWD	1198	85	116	09.12-08.15	■	
1.4 TCe (EZ0F, EZ1V) (H4J 700)		Gasolina	FWD	1397	96	131	06.10-08.15	■	

LISTA DE APLICACIONES - BUYERS GUIDE

1.6 16V (EZ0U, EZ1U) (K4M 858)		Gasolina	FWD	1598	81	110	06.10-08.15	■	
2.0 CVT (EZ0G, EZ1E, EZ1P) (M4R 711)		Gasolina	FWD	1997	103	140	06.10-08.15	■	
2.0 CVT (EZ0G, EZ1E, EZ1P) (M4R 713)		Gasolina	FWD	1997	103	140	06.10-08.15	■	
2.0 TCe (EZ1T) (F4R 870)		Gasolina	FWD	1998	132	180	06.10-08.15	■	
2.0 TCe (EZ1T) (F4R 872)		Gasolina	FWD	1998	132	180	06.10-08.15	■	
1.6 16V Hi-Flex (K4M 866)		Gasol./Etanol	FWD	1598	81	110	06.10-08.15	■	
1.5 dCi (EZ0B, EZ07) (K9K 832)		Diesel	FWD	1461	78	106	11.13-08.15	■	
1.5 dCi (EZ09, EZ1G, EZ0D, EZ14) (K9K 837)		Diesel	FWD	1461	81	110	06.10-08.15	■	
1.6 dCi (EZ00) (R9M 402)		Diesel	FWD	1598	96	130	04.11-08.15	■	
1.9 dCi (EZ0J, EZ1S) (F9Q 870)		Diesel	FWD	1870	96	131	06.10-08.15	■	
2.0 dCi (EZ0L) (M9R 610)		Diesel	FWD	1995	118	160	06.10-08.15	■	
MEGANE III Combi Van (KZ0/1) 01.09-08.15							Estate Van (Compact car-C Segment)		
1.5 dCi (K9K 830)		Diesel	FWD	1461	63	86	03.10-08.15	■	
1.5 dCi (KZ1A) (K9K 834)	not elec.brak.detent	Diesel	FWD	1461	66	90	03.10-08.15	■	
1.5 dCi (K9K 832)		Diesel	FWD	1461	78	106	03.10-08.15	■	
1.5 dCi (K9K 836)	not elec.brak.detent	Diesel	FWD	1461	81	110	01.09-08.15	■	
1.5 dCi (K9K 837)	not elec.brak.detent	Diesel	FWD	1461	81	110	01.09-08.15	■	
MEGANE IV (B9A/M/N_) 11.15-							Hatchback (Compact car-C Segment)		
1.0 TCe 115 (B9MD, B9MW)		Gasolina	FWD	999	84	114	10.20-	■	
1.2 TCe 100 (B9MS) (H5F 408)	not elec.brak.detent	Gasolina	FWD	1197	74	101	11.15-	■	
1.2 TCe 130 (B9MR) (H5F 408)	not elec.brak.detent	Gasolina	FWD	1197	97	130	11.15-	■	
1.3 TCe 100 (B9N8) (H5H 470)		Gasolina	FWD	1332	75	102	08.18-	■	
1.3 TCe 115 (B9N9) (H5H 450)		Gasolina	FWD	1332	85	116	01.18-	■	
1.3 TCe 115 (B9N9) (H5H 470)		Gasolina	FWD	1332	85	116	01.18-	■	
1.3 TCe 140 (B9NB) (H5H 450)		Gasolina	FWD	1332	103	140	01.18-	■	
1.3 TCe 140 (B9NB) (H5H 470)		Gasolina	FWD	1332	103	140	01.18-	■	
1.3 TCe 160 (B9NC)	not elec.brak.detent	Gasolina	FWD	1332	116	158	08.20-	■	
1.3 TCe 160 (B9NC) (H5H 470)		Gasolina	FWD	1332	117	159	11.18-	■	
1.3 TCe 160 (B9NC) (H5H 450)		Gasolina	FWD	1332	120	163	01.18-	■	
1.3 TCe 160 (B9NC) (H5H 470)		Gasolina	FWD	1332	120	163	01.18-	■	
1.6 16V (H4M 738)		Gasolina	FWD	1598	84	115	11.15-	■	
1.6 16V (H4M 748)		Gasolina	FWD	1598	84	115	11.15-	■	
1.6 16V (H4M 749)		Gasolina	FWD	1598	84	115	11.15-	■	
1.6 16V (H4M 750)		Gasolina	FWD	1598	84	115	11.15-	■	
1.6 16V (H4M 751)		Gasolina	FWD	1598	84	115	11.15-	■	
1.6 TCe 165 (M5M 450)		Gasolina	FWD	1618	121	165	07.17-	■	
1.6 TCe 205 (B9MV) (M5M 450)	not elec.brak.detent	Gasolina	FWD	1618	151	205	11.15-	■	
1.8 RS TCe 280 (B9M6) (M5P 402)		Gasolina	FWD	1798	205	279	10.17-	■	
1.8 RS TCe 280 (B9M6) (M5P 404)		Gasolina	FWD	1798	205	279	10.17-	■	
1.8 RS 300 (B9M8) (M5P 404)		Gasolina	FWD	1798	221	301	09.18-	■	
2.0 RS	not elec.brak.detent	Gasolina	FWD	1998	184	250	04.16-	■	
2.0 RS TCe 275	not elec.brak.detent	Gasolina	FWD	1998	202	275	04.16-	■	
1.6 E-TECH 160 (B9NH)		Gasol./eléc.	FWD	1598	69	94	07.21-	■	
1.6 E-TECH 160 (B9NH)		Gasol./eléc.	FWD	1598	118	160	07.21-	■	
1.5 dCi 90 (B9A1) (K9K 656)	not elec.brak.detent	Diesel	FWD	1461	66	90	11.15-	■	
1.5 Blue dCi 95 (B9A2, B9A6) (K9K 872)		Diesel	FWD	1461	70	95	08.18-	■	
1.5 dCi 110 (B9A3) (K9K 646)	not elec.brak.detent	Diesel	FWD	1461	81	110	11.15-	■	
1.5 dCi 110 (B9A3) (K9K 648)	not elec.brak.detent	Diesel	FWD	1461	81	110	11.15-	■	
1.5 dCi 110 (B9A3) (K9K 656)	not elec.brak.detent	Diesel	FWD	1461	81	110	11.15-	■	

LISTA DE APLICACIONES - BUYERS GUIDE

1.5 dCi 110 (B9A3) (K9K 657)	not elec.brak.detent	Diesel	FWD	1461	81	110	11.15-	■
1.5 Blue dCi 115 (B9A6) (K9K 872)		Diesel	FWD	1461	85	116	08.18-	■
1.5 Blue dCi 115 (B9A6) (K9K 873)		Diesel	FWD	1461	85	116	08.18-	■
1.6 dCi 130 (B9A4) (R9M 409)	not elec.brak.detent	Diesel	FWD	1598	96	130	11.15-	■
1.6 dCi 165 (R9M 452)	not elec.brak.detent	Diesel	FWD	1598	120	163	11.15-	■
1.8 Blue dCi 150 (B9A7) (R9N 401)		Diesel	FWD	1749	110	150	02.19-	■
MEGANE IV Grandtour (K9A/M/N_) 04.16-				Estate (Compact car-C Segment)				
1.0 TCe 115 (K9MB, K9MW)		Gasolina	FWD	999	84	114	07.21-	■
1.2 TCe 100 (H5F 408)	not elec.brak.detent	Gasolina	FWD	1197	74	101	04.16-	■
1.2 TCe 130 (K9MR) (H5F 408)	not elec.brak.detent	Gasolina	FWD	1197	97	130	04.16-	■
1.3 TCe 100 (K9N8) (H5H 470)	not elec.brak.detent	Gasolina	FWD	1332	75	102	08.18-	■
1.3 TCe 115 (K9N9) (H5H 450)		Gasolina	FWD	1332	85	116	01.18-	■
1.3 TCe 115 (K9N9) (H5H 470)		Gasolina	FWD	1332	85	116	01.18-	■
1.3 TCe 140 (K9NB) (H5H 450)		Gasolina	FWD	1332	103	140	01.18-	■
1.3 TCe 140 (K9NB) (H5H 470)		Gasolina	FWD	1332	103	140	01.18-	■
1.3 TCe 160 (K9NC)	not elec.brak.detent	Gasolina	FWD	1332	116	158	08.20-	■
1.3 TCe 160 (K9NC) (H5H 470)		Gasolina	FWD	1332	117	159	07.18-	■
1.3 TCe 160 (K9NC) (H5H 450)		Gasolina	FWD	1332	120	163	01.18-	■
1.3 TCe 160 (K9NC) (H5H 470)		Gasolina	FWD	1332	120	163	01.18-	■
1.6 16V (H4M 738)		Gasolina	FWD	1598	84	115	04.16-	■
1.6 TCe 165 (M5M 450)		Gasolina	FWD	1618	121	165	07.17-	■
1.6 TCe 205 (M5M 450)	not elec.brak.detent	Gasolina	FWD	1618	151	205	04.16-	■
E-TECH 160 (K9NH)		Gasol./el éc.	FWD	1598	67	91	05.20-	■
E-TECH 160 (K9NH) (H4M 630)		Gasol./el éc.	FWD	1598	116	158	05.20-	■
1.5 dCi 90 (K9K 656)	not elec.brak.detent	Diesel	FWD	1461	66	90	04.16-	■
1.5 Blue dCi 95 (K9A2) (K9K 872)	not elec.brak.detent	Diesel	FWD	1461	70	95	08.18-	■
1.5 dCi 110 (K9K 656)	not elec.brak.detent	Diesel	FWD	1461	81	110	04.16-	■
1.5 dCi 110 (K9K 657)	not elec.brak.detent	Diesel	FWD	1461	81	110	04.16-	■
1.5 Blue dCi 115 (K9A6) (K9K 872)	not elec.brak.detent	Diesel	FWD	1461	85	116	08.18-	■
1.5 Blue dCi 115 (K9A6) (K9K 873)	not elec.brak.detent	Diesel	FWD	1461	85	116	08.18-	■
1.6 dCi 130 (R9M 409)	not elec.brak.detent	Diesel	FWD	1598	96	130	04.16-	■
1.6 dCi 165 (R9M 452)	not elec.brak.detent	Diesel	FWD	1598	120	163	04.16-	■
1.8 Blue dCi 150 (K9A7) (R9N 401)	not elec.brak.detent	Diesel	FWD	1749	110	150	02.19-	■
MEGANE Kombi van (KA_) 02.00-07.03				Estate Van (Compact car-C Segment)				
1.6 (KA0B, KA04) (K4M 700)		Gasolina	FWD	1598	79	107	04.01-07.03	■
1.6 (KA0B, KA04) (K4M 701)		Gasolina	FWD	1598	79	107	04.01-07.03	■
1.6 (KA0B, KA04) (K4M 708)		Gasolina	FWD	1598	79	107	04.01-07.03	■
1.6 (KA0B, KA04) (K4M 709)		Gasolina	FWD	1598	79	107	04.01-07.03	■
1.8 (KA1M) (F4P 722)		Gasolina	FWD	1783	85	116	04.01-07.03	■
1.6 BiFuel (KA0B) (K4M 712)		Gasol./G as (LPG)	FWD	1598	79	107	04.01-07.03	■
1.6 BiFuel (KA04) (K4M 704)		Gasol./G as (LPG)	FWD	1598	80	109	04.01-07.03	■
MEGANE Scenic (JA0/1_) 10.96-12.01				MPV (Compact MPV-M1 Segment)				
1.4 i (JA0E) (E7J 764)		Gasolina	FWD	1390	55	75	01.97-09.99	■
1.6 i (JA0L) (K7M 720)		Gasolina	FWD	1598	55	75	01.97-09.99	■
1.6 e (JA0F) (K7M 702)		Gasolina	FWD	1598	66	90	10.96-10.99	■
1.6 e (JA0F) (K7M 703)		Gasolina	FWD	1598	66	90	10.96-10.99	■
1.6 16V (JA0B, JA04, JA11, JA00) (K4M 700)		Gasolina	FWD	1598	79	107	04.98-10.99	■
1.6 16V (JA0B, JA04, JA11, JA00) (K4M 701)		Gasolina	FWD	1598	79	107	04.98-10.99	■

LISTA DE APLICACIONES - BUYERS GUIDE

1.6 16V (JA0B, JA04, JA11, JA00) (K4M 704)	Gasolina	FWD	1598	79	107	04.98-10.99	■
1.6 16V (JA0B, JA04, JA11, JA00) (K4M 708)	Gasolina	FWD	1598	79	107	04.98-10.99	■
2.0 i (JA02, JA0G) (F3R 791)	Gasolina	FWD	1998	80	109	01.99-09.99	■
2.0 i (JA02, JA0G) (F3R 796)	Gasolina	FWD	1998	80	109	01.99-09.99	■
2.0 i (JA0G) (F3R 750)	Gasolina	FWD	1998	84	114	01.97-09.99	■
2.0 i (JA0G) (F3R 751)	Gasolina	FWD	1998	84	114	01.97-09.99	■
2.0 RXE 4x4 (F3R 750)	Gasolina	4WD	1998	84	114	05.97-10.99	■
1.9 D (JA0J) (F8Q 790)	Diesel	FWD	1870	47	64	03.97-09.99	■
1.9 dT (JA0K, JA0Y) (F8Q 784)	Diesel	FWD	1870	66	90	01.97-09.99	■
1.9 dT (JA0K, JA0Y) (F8Q 786)	Diesel	FWD	1870	66	90	01.97-09.99	■
1.9 dTi (JA0N) (F9Q 730)	Diesel	FWD	1870	72	98	04.97-09.99	■
1.9 dTi (JA0N) (F9Q 734)	Diesel	FWD	1870	72	98	04.97-09.99	■
MEGANE Scenic VAN (JA0/1_) 10.96-12.01						Box Body/MPV (Compact MPV-M1 Segment)	
1.9 DT (JA0K)	Diesel	FWD	1870	66	90	01.97-09.99	■
1.9 dTi (JA0N)	Diesel	FWD	1870	72	98	04.97-09.99	■
MODUS / GRAND MODUS (F/JP0_) 09.04-						Hatchback (Mini MPV-M1 Segment)	
1.2 (JP0C, JP0K, FP0C, FP0K, FP0P, JP0P, JP0T) (D4F 740)	Gasolina	FWD	1149	55	75	12.04-12.13	■
1.2 (JP0S) (D4F 764)	Gasolina	FWD	1149	58	78	12.04-12.13	■
1.2 16V (JP0W) (D4F 784)	Gasolina	FWD	1149	74	101	05.07-12.13	■
1.2 (JP1E) (D4F 786)	Gasolina	FWD	1149	76	103	04.11-12.13	■
1.4 (JP01, JP0J) (K4J 770)	Gasolina	FWD	1390	72	98	12.04-12.13	■
1.4 (JP01, JP0J) (K4J 780)	Gasolina	FWD	1390	72	98	12.04-12.13	■
1.6 (JP0L, JP0V) (K4M 794)	Gasolina	FWD	1598	65	88	12.04-10.07	■
1.6 (JP03, JP0B, JP0U, JP0Y, JP1G) (K4M 790)	Gasolina	FWD	1598	82	112	12.04-12.13	■
1.6 (JP03, JP0B, JP0U, JP0Y, JP1G) (K4M 791)	Gasolina	FWD	1598	82	112	12.04-12.13	■
1.6 (JP03, JP0B, JP0U, JP0Y, JP1G) (K4M 800)	Gasolina	FWD	1598	82	112	12.04-12.13	■
1.6 (JP03, JP0B, JP0U, JP0Y, JP1G) (K4M 801)	Gasolina	FWD	1598	82	112	12.04-12.13	■
1.2 GPL (JP0R) (D4F 744)	Gasol./Gas (LPG)	FWD	1149	55	75	05.08-12.12	■
1.2 16V Hi-Flex (D4F 740)	Gasol./Etanol	FWD	1149	55	75	10.08-12.13	■
1.5 dCi (FP0E, JP0E) (K9K 752)	Diesel	FWD	1461	48	65	12.04-12.13	■
1.5 dCi (FP0E, JP0E) (K9K 768)	Diesel	FWD	1461	48	65	12.04-12.13	■
1.5 dCi (FP0G, JP0G) (K9K 768)	Diesel	FWD	1461	50	68	12.04-12.13	■
1.5 dCi 75 (K9K 770)	Diesel	FWD	1461	55	75	10.10-12.13	■
1.5 dCi (FP0D, JP0D) (K9K 750)	Diesel	FWD	1461	60	82	09.04-10.07	■
1.5 dCi (FP0F, JP0F) (K9K 760)	Diesel	FWD	1461	63	86	12.04-12.13	■
1.5 dCi (FP0F, JP0F) (K9K 766)	Diesel	FWD	1461	63	86	12.04-12.13	■
1.5 dCi 90 (K9K 750)	Diesel	FWD	1461	65	88	10.10-12.13	■
1.5 dCi 90 (K9K 770)	Diesel	FWD	1461	65	88	10.10-12.13	■
1.5 dCi (JP02) (K9K 772)	Diesel	FWD	1461	76	103	05.07-12.13	■
1.5 dCi (JP0G, JP0H) (K9K 764)	Diesel	FWD	1461	78	106	05.05-12.13	■
SCÉNIC (JA0/1_, FA0_) 08.99-07.10						MPV (Compact MPV-M1 Segment)	
1.4 16V (JA0D, JA1H, Ja0W, JA10) (K4J 714)	Gasolina	FWD	1390	70	95	09.99-08.03	■
1.4 16V (JA0D, JA1H, Ja0W, JA10) (K4J 750)	Gasolina	FWD	1390	70	95	09.99-08.03	■
1.6 (K4M 708)	Gasolina	FWD	1598	75	102	03.01-08.03	■
1.6 (K4M 709)	Gasolina	FWD	1598	75	102	03.01-08.03	■
1.6 (JA00, JA16, JA15, JA19, JA1V, JA2B, JA2C, JA0B,...) (K4M 700)	Gasolina	FWD	1598	79	107	09.99-09.03	■

LISTA DE APLICACIONES - BUYERS GUIDE

1.6 (JA00, JA16, JA15, JA19, JA1V, JA2B, JA2C, JA0B,... (K4M 706)	Gasolina	FWD	1598	79	107	09.99-09.03	■	
1.6 (JA00, JA16, JA15, JA19, JA1V, JA2B, JA2C, JA0B,... (K4M 707)	Gasolina	FWD	1598	79	107	09.99-09.03	■	
1.6 (JA00, JA16, JA15, JA19, JA1V, JA2B, JA2C, JA0B,... (K4M 776)	Gasolina	FWD	1598	79	107	09.99-09.03	■	
1.6 (JA00)	Gasolina	FWD	1598	81	110	06.01-09.03	■	
1.6 16V	Gasolina	FWD	1598	85	116	09.99-08.03	■	
1.8 16V (JA12, JA1R, JA1M, JA1A) (F4P 720)	Gasolina	FWD	1783	85	115	01.01-08.03	■	
1.8 16V (JA12, JA1R, JA1M, JA1A) (F4P 722)	Gasolina	FWD	1783	85	115	01.01-08.03	■	
1.8 4x4 (F4P 722)	Gasolina	4WD	1783	85	116	07.00-04.01	■	
2.0 16V (JA1B, JA1D, JA0C) (F4R 740)	Gasolina	FWD	1998	102	139	07.00-08.03	■	
2.0 16V (JA1B, JA1D, JA0C) (F4R 741)	Gasolina	FWD	1998	102	139	07.00-08.03	■	
2.0 16V (JA1B, JA1D, JA0C) (F4R 746)	Gasolina	FWD	1998	102	139	07.00-08.03	■	
2.0 16V RX4 (F4R 744)	Gasolina	4WD	1998	102	139	06.00-08.03	■	
2.0 16V RX4 (F4R 746)	Gasolina	4WD	1998	102	139	06.00-08.03	■	
2.0 16V (JA1D, JA17) (F4R 740)	Gasolina	FWD	1998	103	140	09.99-08.03	■	
2.0 16V (JA1D, JA17) (F4R 741)	Gasolina	FWD	1998	103	140	09.99-08.03	■	
2.0 16V (JA1D, JA17) (F4R 744)	Gasolina	FWD	1998	103	140	09.99-08.03	■	
2.0 16V (JA1D, JA17) (F4R 747)	Gasolina	FWD	1998	103	140	09.99-08.03	■	
1.6 BiFuel	Gasol./Gas (LPG)	FWD	1598	75	102	03.01-08.03	■	
1.6 BiFuel (JA04) (K4M 704)	Gasol./Gas (LPG)	FWD	1598	79	107	09.99-04.01	■	
1.6 BiFuel (JA04) (K4M 712)	Gasol./Gas (LPG)	FWD	1598	79	107	09.99-04.01	■	
1.9 D (JA0J, FA0J) (F8Q 788)	Diesel	FWD	1870	47	64	09.99-03.01	■	
1.9 D (JA0J, FA0J) (F8Q 790)	Diesel	FWD	1870	47	64	09.99-03.01	■	
1.9 dTi (JA1U) (F9Q 744)	Diesel	FWD	1870	59	80	02.01-08.03	■	
1.9 dTi (JA0N) (F9Q 731)	Diesel	FWD	1870	72	98	09.99-08.03	■	
1.9 dTi (JA0N) (F9Q 734)	Diesel	FWD	1870	72	98	09.99-08.03	■	
1.9 dTi (JA0N) (F9Q 736)	Diesel	FWD	1870	72	98	09.99-08.03	■	
1.9 dCi RX4 (F9Q 732)	Diesel	4WD	1870	74	101	12.02-08.03	■	
1.9 dCi RX4 (F9Q 748)	Diesel	4WD	1870	74	101	12.02-08.03	■	
1.9 dCi RX4 (F9Q 796)	Diesel	4WD	1870	74	101	12.02-08.03	■	
1.9 dCi (JA05, JA1F) (F9Q 732)	Diesel	FWD	1870	75	102	09.99-08.03	■	
1.9 dCi (JA05, JA1F) (F9Q 733)	Diesel	FWD	1870	75	102	09.99-08.03	■	
1.9 dCi RX4 (F9Q 740)	Diesel	4WD	1870	75	102	11.00-08.03	■	
SCÉNIC II (JM0/1_) 06.03-						MPV (Compact MPV-M1 Segment)		
1.4 (JM0B, JM0H, JM1A) (K4J 730)	Gasolina	FWD	1390	72	98	06.03-11.08	■	
1.4 (JM0B, JM0H, JM1A) (K4J 740)	Gasolina	FWD	1390	72	98	06.03-11.08	■	
1.4 (JM0B, JM0H, JM1A) (K4J 770)	Gasolina	FWD	1390	72	98	06.03-11.08	■	
1.6 (K4M 788)	Gasolina	FWD	1598	77	105	06.06-11.08	■	
1.6 16V (JM1R, JM1B, JM2Y) (K4M 706)	Gasolina	FWD	1598	82	112	10.05-11.08	■	
1.6 16V (JM1R, JM1B, JM2Y) (K4M 766)	Gasolina	FWD	1598	82	112	10.05-11.08	■	
1.6 16V (JM1R, JM1B, JM2Y) (K4M 812)	Gasolina	FWD	1598	82	112	10.05-11.08	■	
1.6 16V (JM1R, JM1B, JM2Y) (K4M 813)	Gasolina	FWD	1598	82	112	10.05-11.08	■	
1.6 (JM0C, JM0J, JM1B) (K4M 761)	Gasolina	FWD	1598	83	113	06.03-10.06	■	
1.6 (JM0C, JM0J, JM1B) (K4M 782)	Gasolina	FWD	1598	83	113	06.03-10.06	■	
2.0 (JM05, JM0U, JM1N, JM1U, JM2V) (F4R 770)	Gasolina	FWD	1998	99	135	06.03-06.09	■	
2.0 (JM05, JM0U, JM1N, JM1U, JM2V) (F4R 771)	Gasolina	FWD	1998	99	135	06.03-06.09	■	
2.0 (JM0S, JM2N) (F4R 770)	Gasolina	FWD	1998	101	138	02.08-04.09	■	
2.0 16V Turbo (JM0W) (F4R 776)	Gasolina	FWD	1998	120	163	05.04-11.08	■	

LISTA DE APLICACIONES - BUYERS GUIDE

1.6 BiFuel (K4M 764)		Gasol./Gas (LPG)	FWD	1598	83	113	08.03-05.06	■	
1.6 Hi-Flex (K4M 766)		Gasol./Etanol	FWD	1598	81	110	03.05-07.10	■	
1.5 dCi (JM0F) (K9K 722)		Diesel	FWD	1461	60	82	06.03-05.06	■	
1.5 dCi (JM1F) (K9K 724)		Diesel	FWD	1461	63	86	05.05-11.08	■	
1.5 dCi (JM02, JM13) (K9K 728)		Diesel	FWD	1461	74	101	11.03-08.05	■	
1.5 dCi (JM02, JM13) (K9K 729)		Diesel	FWD	1461	74	101	11.03-08.05	■	
1.5 dCi (JM16) (K9K 728)		Diesel	FWD	1461	76	103	01.07-11.08	■	
1.5 dCi (JM16) (K9K 734)		Diesel	FWD	1461	76	103	01.07-11.08	■	
1.5 dCi (JM1E, JM16) (K9K 732)		Diesel	FWD	1461	78	106	05.05-11.08	■	
1.5 dCi (JM1E, JM16) (K9K 734)		Diesel	FWD	1461	78	106	05.05-11.08	■	
1.9 dCi (JM15) (F9Q 804)		Diesel	FWD	1870	81	110	05.05-11.08	■	
1.9 D (F9Q 812)		Diesel	FWD	1870	85	116	06.06-11.08	■	
1.9 D (F9Q J 803)		Diesel	FWD	1870	85	116	06.06-11.08	■	
1.9 dCi (JM0G, JM12, JM1G, JM2C) (F9Q 812)		Diesel	FWD	1870	88	120	06.03-05.06	■	
1.9 dCi (F9Q 804)		Diesel	FWD	1870	92	125	06.03-11.08	■	
1.9 dCi (JM14) (F9Q 804)		Diesel	FWD	1870	96	131	05.05-11.08	■	
1.9 dCi (JM14) (F9Q 816)		Diesel	FWD	1870	96	131	05.05-11.08	■	
1.9 dCi (JM14) (F9Q 818)		Diesel	FWD	1870	96	131	05.05-11.08	■	
1.9 dCi (JM14) (F9Q J 803)		Diesel	FWD	1870	96	131	05.05-11.08	■	
1.9 dCi 130 (F9Q 804)		Diesel	FWD	1870	97	132	10.05-12.09	■	
2.0 dCi (JM1K) (M9R 700)	01/06-	Diesel	FWD	1995	110	150	09.05-11.08	■	
2.0 dCi (JM1K) (M9R 721)	01/06-	Diesel	FWD	1995	110	150	09.05-11.08	■	
2.0 dCi (JM1K) (M9R 722)	01/06-	Diesel	FWD	1995	110	150	09.05-11.08	■	
SCÉNIC III (JZ0/1_) 12.08-							MPV (Compact MPV-M1 Segment)		
1.2 TCe (H5F 400)		Gasolina	FWD	1197	85	116	04.12-09.16	■	
1.2 TCe (H5F 408)		Gasolina	FWD	1197	96	131	07.14-09.16	■	
1.2 TCe (JZ16) (H5F 404)		Gasolina	FWD	1197	97	132	01.13-09.16	■	
1.2 TCe (JZ16) (H5F 408)		Gasolina	FWD	1197	97	132	01.13-09.16	■	
1.4 16V (JZ0F, JZ1V) (H4J 700)		Gasolina	FWD	1397	96	131	02.09-09.16	■	
1.6 16V (JZ0U, JZ1B) (K4M 858)		Gasolina	FWD	1598	81	110	02.09-09.16	■	
1.6 16V (JZ0U, JZ1B) (K4M R 858)		Gasolina	FWD	1598	81	110	02.09-09.16	■	
2.0 16V (M4R 711)		Gasolina	FWD	1997	101	137	12.08-09.16	■	
2.0 16V (JZ0G, JZ0P, JZ1E, JZ1P) (M4R 710)		Gasolina	FWD	1997	103	140	02.09-09.16	■	
2.0 16V (JZ0G, JZ0P, JZ1E, JZ1P) (M4R 711)		Gasolina	FWD	1997	103	140	02.09-09.16	■	
2.0 16V (JZ0G, JZ0P, JZ1E, JZ1P) (M4R 713)		Gasolina	FWD	1997	103	140	02.09-09.16	■	
1.6 16V Bifuel (K4M 866)		Gasol./Gas (LPG)	FWD	1598	79	107	04.12-12.13	■	
1.6 16V Bifuel (K4M 866)		Gasol./Gas (LPG)	FWD	1598	81	110	02.09-09.16	■	
1.6 E85 (JZ03, JZ1Y) (K4M 866)		Gasol./Etanol	FWD	1598	81	110	02.09-09.16	■	
1.5 dCi (K9K 830)		Diesel	FWD	1461	63	86	04.09-09.16	■	
1.5 dCi (JZ02, JZ0R) (K9K 846)		Diesel	FWD	1461	70	95	11.10-09.16	■	
1.5 dCi (K9K 832)		Diesel	FWD	1461	78	106	02.09-09.16	■	
1.5 dCi (K9K 636)		Diesel	FWD	1461	81	110	04.09-09.16	■	
1.5 dCi (K9K 656)		Diesel	FWD	1461	81	110	04.09-09.16	■	
1.5 dCi (K9K 657)		Diesel	FWD	1461	81	110	04.09-09.16	■	
1.5 dCi (K9K 836)		Diesel	FWD	1461	81	110	04.09-09.16	■	
1.5 dCi (K9K 837)		Diesel	FWD	1461	81	110	04.09-09.16	■	
1.6 dCi (JZ00, JZ12) (R9M 402)		Diesel	FWD	1598	96	130	04.11-09.16	■	
1.6 dCi (JZ00, JZ12) (R9M 404)		Diesel	FWD	1598	96	130	04.11-09.16	■	
1.6 dCi (JZ00, JZ12) (R9M 414)		Diesel	FWD	1598	96	130	04.11-09.16	■	

LISTA DE APLICACIONES - BUYERS GUIDE

1.9 dCi (JZ0J, JZ1J, JZ1K, JZ1S) (F9Q 870)		Diesel	FWD	1870	96	131	02.09-09.16	■
1.9 dCi (JZ0J, JZ1J, JZ1K, JZ1S) (F9Q 872)		Diesel	FWD	1870	96	131	02.09-09.16	■
2.0 dCi (JZ0Y, JZ26) (M9R 615)		Diesel	FWD	1995	110	150	02.09-09.16	■
2.0 dCi (JZ0L) (M9R 610)		Diesel	FWD	1995	118	160	04.09-09.16	■
SCÉNIC IV (J9_) 09.16-				MPV (Compact MPV-M1 Segment)				
1.2 TCe 130 (H5F 408)		Gasolina	FWD	1197	96	130	09.16-07.22	■
1.2 TCe 115 (H5F 408)		Gasolina	FWD	1198	85	115	09.16-07.22	■
1.3 TCe 115 (J9N9) (H5H 450)		Gasolina	FWD	1332	85	115	01.18-07.22	■
1.3 TCe 115 (J9N9) (H5H 470)		Gasolina	FWD	1332	85	115	01.18-07.22	■
1.3 TCe 140 (H5H 450)		Gasolina	FWD	1332	103	140	01.18-07.22	■
1.3 TCe 140 (H5H 470)		Gasolina	FWD	1332	103	140	01.18-07.22	■
1.3 TCe 160 (J9NC) (H5H 470)		Gasolina	FWD	1332	117	159	09.18-07.22	■
1.3 TCe 160 (H5H 450)		Gasolina	FWD	1332	120	163	01.18-07.22	■
1.5 dCi 110 Hybrid Assist (R9AE, R9A3) (K9K 500)		Diesel/el éc.	FWD	1461	81	110	04.17-07.22	■
1.5 dCi 110 Hybrid Assist (R9AE, R9A3) (K9K 502)		Diesel/el éc.	FWD	1461	81	110	04.17-07.22	■
1.5 dCi 95 (K9K 646)		Diesel	FWD	1461	70	95	09.16-07.22	■
1.5 dCi 95 (K9K 846)		Diesel	FWD	1461	70	95	09.16-07.22	■
1.5 dCi 110 (K9K 646)		Diesel	FWD	1461	81	110	09.16-07.22	■
1.5 dCi 110 (K9K 647)		Diesel	FWD	1461	81	110	09.16-07.22	■
1.6 dCi 130 (R9M 409)		Diesel	FWD	1598	96	130	09.16-07.22	■
1.6 dCi 160 (R9M 452)		Diesel	FWD	1598	118	160	09.16-07.22	■
1.7 Blue dCi 120 (J9A7, J9A8) (R9N 400)		Diesel	FWD	1749	88	120	08.18-07.22	■
1.7 Blue dCi 120 (J9A7, J9A8) (R9N 401)		Diesel	FWD	1749	88	120	08.18-07.22	■
1.7 Blue dCi 150 (J9A7, J9A8) (R9N 400)		Diesel	FWD	1749	110	150	08.18-07.22	■
1.7 Blue dCi 150 (J9A7, J9A8) (R9N 401)		Diesel	FWD	1749	110	150	08.18-07.22	■
SCÉNIC III VAN (JZ0/1_) 12.08-				Box Body/MPV (Compact MPV-M1 Segment)				
1.4 TCe (JZ0F, JZ1V)		Gasolina	FWD	1397	96	131	01.13-09.16	■
1.6 VVT (JZ0U, JZ1B, JZ1H, JZ1U, JZ24)		Gasolina	FWD	1598	81	110	01.13-09.16	■
1.5 dCi (JZ02)		Diesel	FWD	1461	70	95	01.13-09.16	■
1.5 dCi (JZ0D, JZ1M, JZ09, JZ14, JZ1G, JZ1W, JZ10)		Diesel	FWD	1461	81	110	04.09-09.16	■
1.6 dCi (JZ00, JZ12, JZ2A)		Diesel	FWD	1598	96	131	01.13-09.16	■
1.9 dCi (JZ0J, JZ1J, JZ1K, JZ1S)		Diesel	FWD	1870	96	131	01.13-09.16	■
SCÉNIC VAN (FA0_, JA0/1_) 08.99-07.10				Box Body/MPV (Compact MPV-M1 Segment)				
1.9 (FA0J)		Diesel	FWD	1870	47	64	09.99-02.01	■
1.9 dTi (JA0N)		Diesel	FWD	1870	72	98	09.99-04.01	■
THALIA II / SYMBOL (LU_) 09.08-				Saloon (Supermini car-B Segment)				
1.2 16V (LU2V) (D4F 728)		Gasolina	FWD	1149	55	75	09.08-06.14	■
1.6		Gasolina	FWD	1598	66	90	01.09-05.12	■
1.6 Flex		Gasolina	FWD	1598	68	92	04.09-	■
1.6 16V (K4M 743)		Gasolina	FWD	1598	77	105	09.08-03.13	■
1.6 16V (LU1A, LU1B, LU1D, LU2M) (K4M 744)		Gasolina	FWD	1598	79	107	01.09-06.14	■
1.6 16V (LU1A, LU1B, LU1D, LU2M) (K4M 745)		Gasolina	FWD	1598	79	107	01.09-06.14	■
1.6 Flex		Gasolina	FWD	1598	81	110	03.09-	■
1.5 dCi (K9K 740)		Diesel	FWD	1461	47	64	09.08-06.14	■
1.5 dCi (K9K 700)		Diesel	FWD	1461	48	65	01.09-06.14	■
1.5 dCi (K9K 718)		Diesel	FWD	1461	62	85	09.08-12.12	■
1.5 dCi (K9K 834)		Diesel	FWD	1461	66	90	01.09-12.12	■

LISTA DE APLICACIONES - BUYERS GUIDE

TWINGO II (CN0_) 03.07-					Hatchback (City car-A Segment)			
1.2 Turbo (CN0C, CN0F) (D4F 780)		Gasolina	FWD	1149	74	100	03.07-09.14	■
1.2 Turbo (CN0C, CN0F) (D4F 782)		Gasolina	FWD	1149	74	100	03.07-09.14	■
1.2 TCe 100 (CN0P) (D4F 780)		Gasolina	FWD	1149	75	102	02.11-08.13	■
1.2 TCe 100 (CN0P) (D4F 782)		Gasolina	FWD	1149	75	102	02.11-08.13	■
1.2 16V Turbo	01/07-	Gasolina	FWD	1195	73	99	03.07-	■
1.2 16V Turbo	01/09-	Gasolina	FWD	1195	88	120	03.07-	■
1.6 RS (CN0N, CN0R, CN0S) (K4M 854)		Gasolina	FWD	1598	98	133	05.08-09.14	■
1.5 dCi 75 (K9K 820)		Diesel	FWD	1461	55	75	10.10-08.14	■
1.5 dCi (CN0U) (K9K 718)		Diesel	FWD	1461	62	84	04.08-09.14	■
1.5 dCi 90 (K9K 820)		Diesel	FWD	1461	63	86	10.10-09.14	■
WIND (E4M_) 07.10-					Convertible (Compact car-C Segment)			
1.2 (E4MF) (D4F 782)		Gasolina	FWD	1149	74	101	07.10-05.11	■
1.2 TCe 100 (E4MF) (D4F 780)		Gasolina	FWD	1149	75	102	02.11-08.13	■
1.6 (E4MB, E4MC) (K4M 854)		Gasolina	FWD	1598	98	133	07.10-08.13	■
SEAT								
EXEO (3R2) 12.08-					Saloon (Compact executive car-D Segment)			
1.6 (ALZ)		Gasolina	FWD	1595	75	102	03.09-09.10	■
1.8 T (CFMA)	01/09-	Gasolina	FWD	1781	110	150	12.08-05.10	■
1.8 TSI (CDHA)		Gasolina	FWD	1798	88	120	09.10-05.13	■
1.8 TSI (CDHB)		Gasolina	FWD	1798	118	160	05.10-05.13	■
2.0 TFSI (BWE)		Gasolina	FWD	1984	147	200	03.09-05.13	■
2.0 TFSI (CDND)		Gasolina	FWD	1984	155	211	05.10-05.13	■
2.0 TDI (CAGC)	01/09-	Diesel	FWD	1968	88	120	12.08-05.13	■
2.0 TDI (CJCC)	01/09-	Diesel	FWD	1968	88	120	12.08-05.13	■
2.0 TDI (CAGA)	01/09-	Diesel	FWD	1968	105	143	12.08-05.13	■
2.0 TDI (CJCA)	01/09-	Diesel	FWD	1968	105	143	12.08-05.13	■
2.0 TDI (CAHA)		Diesel	FWD	1968	125	170	02.09-05.13	■
2.0 TDI (CGLB)		Diesel	FWD	1968	125	170	02.09-05.13	■
EXEO Station Wagon (3R5) 05.09-					Estate (Compact executive car-D Segment)			
1.6 (ALZ)		Gasolina	FWD	1595	75	102	06.09-09.10	■
1.8 T (CFMA)		Gasolina	FWD	1781	110	150	06.09-05.10	■
1.8 TSI (CDHA)		Gasolina	FWD	1798	88	120	09.10-05.13	■
1.8 TSI (CDHB)		Gasolina	FWD	1798	118	160	05.10-05.13	■
2.0 TFSI (CDND)		Gasolina	FWD	1984	155	211	05.10-05.13	■
2.0 TDI (CAGC)		Diesel	FWD	1968	88	120	07.09-05.13	■
2.0 TDI (CJCC)		Diesel	FWD	1968	88	120	07.09-05.13	■
2.0 TDI (CAGA)		Diesel	FWD	1968	105	143	05.09-05.13	■
2.0 TDI (CJCA)		Diesel	FWD	1968	105	143	05.09-05.13	■
2.0 TDI (CAHA)		Diesel	FWD	1968	125	170	05.09-05.13	■
2.0 TDI (CGLB)		Diesel	FWD	1968	125	170	05.09-05.13	■
VAUXHALL								
CROSSLAND X (P17) 03.17-					SUV (Subcompact SUV-B Segment)			
1.2 (75) (B 12 XE (EB2F))	discØ 249	Gasolina	FWD	1199	61	83	03.17-	■
1.2 (75) (D 12 XE (EB2FA))	discØ 249	Gasolina	FWD	1199	61	83	03.17-	■
1.2 (75) (B 12 XHL (EB2DT))	discØ 249	Gasolina	FWD	1199	81	110	03.17-	■
1.2 (75) (B 12 XHT (EB2DTS))	discØ 249	Gasolina	FWD	1199	81	110	03.17-	■
1.2 (75) (D 12 XHL (EB2ADT))	discØ 249	Gasolina	FWD	1199	81	110	03.17-	■
1.2 (75) (B 12 XHT (EB2DTS))	discØ 249	Gasolina	FWD	1199	96	131	03.17-	■

LISTA DE APLICACIONES - BUYERS GUIDE

1.2 (75) (D 12 XHT (EB2ADTS))	discØ 249	Gasolina	FWD	1199	96	131	03.17-	■
1.2 (75) (F 12 XHT (EB2ADTS))	discØ 249	Gasolina	FWD	1199	96	131	03.17-	■
1.2 LPG (75)	discØ 249	Gasol./Gas (LPG)	FWD	1199	55	75	03.17-	■
1.5 Turbo D (75) (D 15 DT (DV5RD))		Diesel	FWD	1499	75	102	06.18-	■
1.5 Turbo D ((75))		Diesel	FWD	1499	81	110	10.20-	■
1.5 Turbo D (75) (D 15 DTH (DV5RC))		Diesel	FWD	1499	88	120	08.18-	■
1.6 Turbo D(75) (B 16 DT (DV6FD))	discØ 249	Diesel	FWD	1560	73	99	03.17-05.18	■
1.6 Turbo D(75)	discØ 249	Diesel	FWD	1560	85	116	06.17-	■
1.6 Turbo D(75) (B 16 DTH (DV6FC))	discØ 249	Diesel	FWD	1560	88	120	03.17-05.18	■
VW								
BORA / JETTA IV (1J2) 10.98-12.13					Saloon (Compact car-C Segment)			
1.4 16V (AHW)		Gasolina	FWD	1390	55	75	03.00-05.05	■
1.4 16V (AKQ)		Gasolina	FWD	1390	55	75	03.00-05.05	■
1.4 16V (APE)		Gasolina	FWD	1390	55	75	03.00-05.05	■
1.4 16V (AXP)		Gasolina	FWD	1390	55	75	03.00-05.05	■
1.4 16V (BCA)		Gasolina	FWD	1390	55	75	03.00-05.05	■
1.6 (AEH)		Gasolina	FWD	1595	74	101	10.98-05.05	■
1.6 (AKL)		Gasolina	FWD	1595	74	101	10.98-05.05	■
1.6 (APF)		Gasolina	FWD	1595	74	101	10.98-05.05	■
1.6 (AVU)		Gasolina	FWD	1595	75	102	08.00-05.05	■
1.6 (BFQ)		Gasolina	FWD	1595	75	102	08.00-05.05	■
1.6 16V (ATN)		Gasolina	FWD	1598	77	105	05.00-05.05	■
1.6 16V (AUS)		Gasolina	FWD	1598	77	105	05.00-05.05	■
1.6 16V (AZD)		Gasolina	FWD	1598	77	105	05.00-05.05	■
1.6 16V (BCB)		Gasolina	FWD	1598	77	105	05.00-05.05	■
1.6 FSI (BAD)		Gasolina	FWD	1598	81	110	01.02-05.05	■
1.8 T (AGU)		Gasolina	FWD	1781	110	150	05.00-05.05	■
1.8 T (ARX)		Gasolina	FWD	1781	110	150	05.00-05.05	■
1.8 T (AUM)		Gasolina	FWD	1781	110	150	05.00-05.05	■
1.8 T (AWD)		Gasolina	FWD	1781	110	150	05.00-05.05	■
1.8 T (AWW)		Gasolina	FWD	1781	110	150	05.00-05.05	■
2.0 (AEG)		Gasolina	FWD	1984	85	115	10.98-12.13	■
2.0 (APK)		Gasolina	FWD	1984	85	115	10.98-12.13	■
2.0 (AQY)		Gasolina	FWD	1984	85	115	10.98-12.13	■
2.0 (AVH)		Gasolina	FWD	1984	85	115	10.98-12.13	■
2.0 (AZG)		Gasolina	FWD	1984	85	115	10.98-12.13	■
2.0 (AZH)		Gasolina	FWD	1984	85	115	10.98-12.13	■
2.0 (AZJ)		Gasolina	FWD	1984	85	115	10.98-12.13	■
2.0 (BBW)		Gasolina	FWD	1984	85	115	10.98-12.13	■
2.0 (BER)		Gasolina	FWD	1984	85	115	10.98-12.13	■
2.0 (BEV)		Gasolina	FWD	1984	85	115	10.98-12.13	■
2.0 (BHP)		Gasolina	FWD	1984	85	115	10.98-12.13	■
2.0 (CBPA)		Gasolina	FWD	1984	85	115	10.98-12.13	■
2.0 (CFEA)		Gasolina	FWD	1984	85	115	10.98-12.13	■
2.0 (CBPA)		Gasolina	FWD	1984	85	116	01.05-12.14	■
2.3 V5 (AGZ)		Gasolina	FWD	2324	110	150	10.98-10.00	■
1.9 SDI (AGP)		Diesel	FWD	1896	50	68	10.98-05.05	■
1.9 SDI (AQM)		Diesel	FWD	1896	50	68	10.98-05.05	■
1.9 TDI (AGR)		Diesel	FWD	1896	66	90	10.98-05.05	■
1.9 TDI (ALH)		Diesel	FWD	1896	66	90	10.98-05.05	■

LISTA DE APLICACIONES - BUYERS GUIDE

1.9 TDI (ATD)		Diesel	FWD	1896	74	101	09.00-05.05	■
1.9 TDI (AXR)		Diesel	FWD	1896	74	101	09.00-05.05	■
1.9 TDI (BEW)		Diesel	FWD	1896	74	101	09.00-05.05	■
1.9 TDI (AHF)		Diesel	FWD	1896	81	110	10.98-06.01	■
1.9 TDI (ASV)		Diesel	FWD	1896	81	110	10.98-06.01	■
1.9 TDI (AJM)		Diesel	FWD	1896	85	115	12.98-01.02	■
1.9 TDI (AUY)		Diesel	FWD	1896	85	115	12.98-01.02	■
1.9 TDI (ASZ)		Diesel	FWD	1896	96	130	11.00-05.05	■
1.9 TDI (ARL)		Diesel	FWD	1896	110	150	05.00-05.05	■
BORA Variant / JETTA IV (1J6) 05.99-05.05				Estate (Compact car-C Segment)				
1.4 16V (AHW)		Gasolina	FWD	1390	55	75	09.01-05.05	■
1.4 16V (AXP)		Gasolina	FWD	1390	55	75	09.01-05.05	■
1.4 16V (BCA)		Gasolina	FWD	1390	55	75	09.01-05.05	■
1.6 (AEH)		Gasolina	FWD	1595	74	100	05.99-05.05	■
1.6 (AKL)		Gasolina	FWD	1595	74	100	05.99-05.05	■
1.6 (APF)		Gasolina	FWD	1595	74	100	05.99-05.05	■
1.6 (AVU)		Gasolina	FWD	1595	75	102	08.00-05.05	■
1.6 (BFQ)		Gasolina	FWD	1595	75	102	08.00-05.05	■
1.6 16V (ATN)		Gasolina	FWD	1598	77	105	02.00-05.05	■
1.6 16V (AUS)		Gasolina	FWD	1598	77	105	02.00-05.05	■
1.6 16V (AZD)		Gasolina	FWD	1598	77	105	02.00-05.05	■
1.6 16V (BCB)		Gasolina	FWD	1598	77	105	02.00-05.05	■
1.6 FSI (BAD)		Gasolina	FWD	1598	81	110	01.02-05.05	■
1.8 T (AGU)		Gasolina	FWD	1781	110	150	05.00-05.05	■
1.8 T (ARX)		Gasolina	FWD	1781	110	150	05.00-05.05	■
1.8 T (AUM)		Gasolina	FWD	1781	110	150	05.00-05.05	■
1.8 T (AWD)		Gasolina	FWD	1781	110	150	05.00-05.05	■
1.8 T (AWW)		Gasolina	FWD	1781	110	150	05.00-05.05	■
2.0 (APK)		Gasolina	FWD	1984	85	115	05.99-05.05	■
2.0 (AQY)		Gasolina	FWD	1984	85	115	05.99-05.05	■
2.0 (AVH)		Gasolina	FWD	1984	85	115	05.99-05.05	■
2.0 (AZG)		Gasolina	FWD	1984	85	115	05.99-05.05	■
2.0 (AZH)		Gasolina	FWD	1984	85	115	05.99-05.05	■
2.0 (AZJ)		Gasolina	FWD	1984	85	115	05.99-05.05	■
2.0 (BEV)		Gasolina	FWD	1984	85	115	05.99-05.05	■
2.3 V5 (AGZ)		Gasolina	FWD	2324	110	150	05.99-10.00	■
1.9 TDI (AGR)		Diesel	FWD	1896	66	90	07.04-05.05	■
1.9 TDI (ALH)		Diesel	FWD	1896	66	90	07.04-05.05	■
1.9 TDI (ATD)		Diesel	FWD	1896	74	101	09.00-05.05	■
1.9 TDI (AXR)		Diesel	FWD	1896	74	101	09.00-05.05	■
1.9 TDI (BEW)		Diesel	FWD	1896	74	101	09.00-05.05	■
1.9 TDI (AHF)		Diesel	FWD	1896	81	110	05.99-06.01	■
1.9 TDI (ASV)		Diesel	FWD	1896	81	110	05.99-06.01	■
1.9 TDI (AJM)		Diesel	FWD	1896	85	115	05.99-06.01	■
1.9 TDI (AUY)		Diesel	FWD	1896	85	115	05.99-06.01	■
1.9 TDI (ASZ)		Diesel	FWD	1896	96	130	11.00-05.05	■
1.9 TDI (ARL)		Diesel	FWD	1896	110	150	05.01-05.05	■
ZOTYE								
2008 / 5008 01.06-				SUV (Compact SUV-J Segment)				
1.3		Gasolina	RWD	1299	69	94	01.07-12.10	■
1.5		Gasolina	RWD	1488	78	106	01.07-12.11	■

LISTA DE APLICACIONES - BUYERS GUIDE

1.6 (XS6400)		Gasolina	RWD	1584	74	101	01.06-05.15
--------------	--	----------	-----	------	----	-----	-------------

