

# LISTA DE APLICACIONES - BUYERS GUIDE

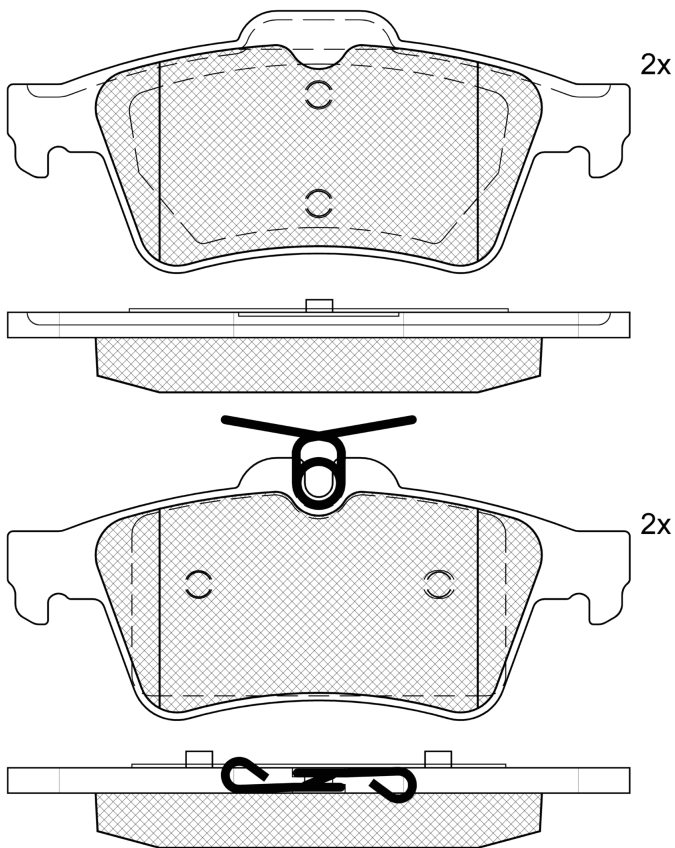
## 181651



Qty: 944

Weight: 1.015

O.E.M.	MAKE
1 360 304	FORD
1 763 677	FORD
1 809 259	FORD
12 799 240	SAAB
16 05 993	OPEL
2T1J-2M008AA	FORD
3M51-2M008AC	FORD
4254.05	CITROËN
44 06 000 02R	RENAULT
44 06 016 89R	RENAULT
5W93-2200-AA	JAGUAR
5W93-2200-AB	JAGUAR
86 71 016 711	RENAULT
8W83-2200-AA	JAGUAR
93 176 116	OPEL
93 18 314 0	SAAB
9318 3140	CADILLAC
9319 0338	CADILLAC
C2C 27271	JAGUAR
C2D 23143	JAGUAR
C2P 17595	JAGUAR
C2P 26112	JAGUAR
ME2T1J2-M008AA	FORD
ME2TG1J-2M008AA	FORD
MEAV6J-2M008-AA	FORD



## 181651

**E 9** 90R-01110/570



Ate - Teves

123.1x51.9x16.4

WVA	FMSI
23482	D1095-7874
24136	
24137	

MAKE
CADILLAC
CHEVROLET
CITROËN
DAIMLER
FORD
HAIMA (FAW)
HOLDEN
JAGUAR
NISSAN
OPEL
PONTIAC
RENAULT
SAAB
VAUXHALL



Trac.	CC	Kw	CV



Front / Rear

### CADILLAC

BLS 04.06-					Saloon (Compact executive car-D Segment)			
2.0 T (B207L)		Gasolina	FWD	1998	129	175	04.06-12.10	■
2.0 T (LK9(122CUL4))		Gasolina	FWD	1998	129	175	04.06-12.10	■
2.0 T (Z 20 NET)		Gasolina	FWD	1998	129	175	04.06-12.10	■
2.0 T (B207R)		Gasolina	FWD	1998	154	210	04.06-	■
2.0 T (LK9(122CUL4))		Gasolina	FWD	1998	154	210	04.06-	■
2.0 T AWD (B207R)		Gasolina	4WD	1998	154	210	04.06-12.10	■
2.0 T AWD (LK9(122CUL4))		Gasolina	4WD	1998	154	210	04.06-12.10	■
2.8 T (B284L)		Gasolina	FWD	2792	188	255	04.06-	■
2.8 T (B284R)		Gasolina	FWD	2792	206	280	12.09-12.10	■
2.8 T (Z 28 NET)		Gasolina	FWD	2792	206	280	12.09-12.10	■
2.8 T AWD (Z 28 NET)		Gasolina	4WD	2792	206	280	10.08-	■
2.0 T Flexpower (Z 20 LER)		Gasol./Etanol	FWD	1998	147	200	12.07-	■
1.9 TD 8V	01/06-	Diesel	RWD	1895	88	120	04.06-	■
1.9 TD 8V	01/06-	Diesel	RWD	1895	88	120	04.06-	■
1.9 D (Z19DTH)		Diesel	FWD	1910	110	150	04.06-	■
1.9 D (Z 19 DTR)		Diesel	FWD	1910	132	180	12.07-	■
BLS Wagon 12.07-					Estate (Compact executive car-D Segment)			
2.0 T (Z 20 NET)		Gasolina	FWD	1998	129	175	12.07-12.10	■
2.0 T (Z 20 NER)		Gasolina	FWD	1998	154	210	12.07-	■
2.0 T AWD (B207R)		Gasolina	4WD	1998	154	210	12.07-12.10	■
2.8 T (Z 28 NET)		Gasolina	FWD	2792	188	255	12.07-	■
2.8 T (B284R)		Gasolina	FWD	2792	206	280	08.10-	■

# LISTA DE APLICACIONES - BUYERS GUIDE

2.8 T AWD (Z 28 NET)		Gasolina	4WD	2792	206	280	10.08-	■
2.0 T Flexpower (Z 20 LER)		Gasol./Etanol	FWD	1998	147	200	12.07-	■
1.9 D (Z19DTH)		Diesel	FWD	1910	110	150	12.07-	■
1.9 D (Z 19 DTR)		Diesel	FWD	1910	132	180	12.07-	■
<b>CHEVROLET</b>								
<b>VECTRA 03.96-11.06</b>						<b>Saloon (Large family car-D Segment)</b>		
3.2 (LA3)		Gasolina	FWD	3175	155	211	09.01-07.04	■
<b>CITROËN</b>								
<b>C5 II (RW_) 02.08-</b>						<b>Estate (Large family car-D Segment)</b>		
1.6 VTI 120 (5FS (EP6C))		Gasolina	FWD	1598	88	120	07.10-06.15	■
1.6 THP 150 (5FN (EP6CDT))		Gasolina	FWD	1598	110	150	04.09-07.16	■
1.6 THP 155 (5FV (EP6CDT))		Gasolina	FWD	1598	115	156	04.09-07.16	■
1.8 i 16V (RW6FYC) (6FY (EW7A))		Gasolina	FWD	1749	92	125	02.08-10.10	■
2.0 i 16V (RWRFJC, RWRFJF) (RFJ (EW10A))		Gasolina	FWD	1997	103	140	02.08-10.14	■
2.0 16V		Gasolina	FWD	1997	105	143	04.08-12.12	■
3.0		Gasolina	FWD	2946	152	207	02.08-	■
3.0 V6 (RWXFVA, RWXFUA) (XFU (ES9A))		Gasolina	FWD	2946	155	211	02.08-12.10	■
3.0 V6 (RWXFVA, RWXFUA) (XFV (ES9A))		Gasolina	FWD	2946	155	211	02.08-12.10	■
2.0 16V BioFlex (RFJ (EW10A))		Gasol./Etanol	FWD	1997	103	140	02.08-06.10	■
1.6 HDi 110 (RW9HZC) (9HZ (DV6TED4))		Diesel	FWD	1560	80	109	02.08-10.10	■
1.6 HDi 110 (9HL (DV6C))		Diesel	FWD	1560	82	112	07.10-05.12	■
1.6 HDi 110 (9HR (DV6C))		Diesel	FWD	1560	82	112	07.10-05.12	■
1.6 HDi 115 (9HL (DV6C))	elec.brake detention	Diesel	FWD	1560	84	114	06.12-06.15	■
1.6 HDi 115 (9HR (DV6C))	elec.brake detention	Diesel	FWD	1560	84	114	06.12-06.15	■
2.0 HDi (RHR (DW10BTED4))		Diesel	FWD	1997	100	136	02.08-06.14	■
2.0 HDi 140 (RHF (DW10BTED4))		Diesel	FWD	1997	103	140	04.09-06.15	■
2.0 HDi 150 / BlueHDi 150 (RWRHEJ, RWRHE8) (AHR (DW10FD))		Diesel	FWD	1997	110	150	04.09-05.17	■
2.0 HDi 150 / BlueHDi 150 (RWRHEJ, RWRHE8) (RHE (DW10CTED4))		Diesel	FWD	1997	110	150	04.09-05.17	■
2.0 HDi 165 (RHH (DW10CTED4))		Diesel	FWD	1997	120	163	04.09-07.16	■
2.0 HDi 180 (AHW (DW10FC))		Diesel	FWD	1997	133	181	03.15-05.17	■
2.2 HDi 165 (4HP (DW12BTED4))		Diesel	FWD	2179	120	163	02.08-08.09	■
2.2 HDi (RW4HTH) (4HT (DW12BTED4))		Diesel	FWD	2179	125	170	02.08-12.11	■
2.2 HDi 200 (4HL (DW12C))		Diesel	FWD	2179	150	204	07.10-06.15	■
2.7 HDi (UHZ (DT17TED4))		Diesel	FWD	2720	150	204	02.08-10.09	■
3.0 HDi 240 (RWX8CA) (DT20C)		Diesel	FWD	2992	177	241	04.09-10.14	■
<b>C5 II (RD_) 02.08-</b>						<b>Saloon (Large family car-D Segment)</b>		
1.6 VTi 120 (RD5FS8, RD5FSA) (5FS (EP6C))		Gasolina	FWD	1598	88	120	07.10-06.15	■
1.6 THP 150 (RD5FN8, RD5FNA) (5FN (EP6CDT))		Gasolina	FWD	1598	110	150	07.10-07.16	■
1.6 THP 155 (RD5FV8, RD5FNA) (5FV (EP6CDT))		Gasolina	FWD	1598	115	156	04.09-07.16	■
1.8 16V (RD6FXC) (6FY (EW7A))		Gasolina	FWD	1749	92	125	02.08-10.10	■
2.0 16V (RDRFJC, RDRFJF) (RFJ (EW10A))		Gasolina	FWD	1997	103	140	02.08-10.14	■
2.0 16V (RDRFJF)		Gasolina	FWD	1997	105	143	04.08-12.12	■
3.0		Gasolina	FWD	2946	152	207	02.08-	■
3.0 V6 (RDXFVJ) (XFU (ES9A))		Gasolina	FWD	2946	155	211	02.08-12.10	■
3.0 V6 (RDXFVJ) (XFV (ES9A))		Gasolina	FWD	2946	155	211	02.08-12.10	■
2.0 16V BioFlex (RDRFJF) (RFJ (EW10A))		Gasol./Etanol	FWD	1997	103	140	02.08-12.12	■

# LISTA DE APLICACIONES - BUYERS GUIDE

1.6 HDi 110 (RD9HZC) (9HZ (DV6TED4))		Diesel	FWD	1560	80	109	02.08-10.10	■
1.6 HDi 110 (RD9HL0, RD9HR8, RD9HRA) (9HL (DV6C))		Diesel	FWD	1560	82	112	07.10-05.12	■
1.6 HDi 110 (RD9HL0, RD9HR8, RD9HRA) (9HR (DV6C))		Diesel	FWD	1560	82	112	07.10-05.12	■
1.6 HDi 115 (RD9HRA, RD9HLA, RD9HL0) (9HL (DV6C))	elec.brake detention	Diesel	FWD	1560	84	114	01.12-06.15	■
1.6 HDi 115 (RD9HRA, RD9HLA, RD9HL0) (9HR (DV6C))	elec.brake detention	Diesel	FWD	1560	84	114	01.12-06.15	■
2.0 HDi (RDRHD8, RDRHDJ, RDRHR8, RDRHRJ) (RHF (DW10BTED4))		Diesel	FWD	1997	100	136	02.08-06.14	■
2.0 HDi (RDRHD8, RDRHDJ, RDRHR8, RDRHRJ) (RHR (DW10BTED4))		Diesel	FWD	1997	100	136	02.08-06.14	■
2.0 HDi 140 (RDRHF8, RDRHFA, RDRHA8, RDRHAJ) (RHF (DW10BTED4))		Diesel	FWD	1997	103	140	11.08-06.15	■
2.0 HDi 150 / BlueHdi 150 (RWRHEJ, RWRHE8) (AHR (DW10FD))		Diesel	FWD	1997	110	150	04.09-05.17	■
2.0 HDi 150 / BlueHdi 150 (RWRHEJ, RWRHE8) (RHE (DW10CTED4))		Diesel	FWD	1997	110	150	04.09-05.17	■
2.0 HDi 165 (RDRHHA, RDRHH8) (RHH (DW10CTED4))		Diesel	FWD	1997	120	163	04.09-07.16	■
2.0 HDi 180 (RDAHWT) (AHW (DW10FC))		Diesel	FWD	1997	133	181	03.15-05.17	■
2.2 HDi (RD4HTH, RD4HPH, RD4HRH, RD4HSH) (4HP (DW12BTED4))		Diesel	FWD	2179	120	163	04.09-12.11	■
2.2 HDi (RD4HTH, RD4HPH, RD4HRH, RD4HSH) (4HR (DW12BTED4))		Diesel	FWD	2179	120	163	04.09-12.11	■
2.2 HDi (RD4HTH) (4HT (DW12BTED4))		Diesel	FWD	2179	125	170	02.08-12.11	■
2.2 HDi 200 (RD4HLA) (4HL (DW12C))		Diesel	FWD	2179	150	204	07.10-06.15	■
2.7 HDi (RDUHZJ) (UHZ (DT17TED4))		Diesel	FWD	2720	150	204	02.08-12.09	■
3.0 HDi 240 (RDX8CA) (DT20C)		Diesel	FWD	2992	177	241	04.09-10.14	■
<b>DAIMLER</b>								
<b>SUPER EIGHT (X350) 09.05-12.09</b>						<b>Saloon (Luxury car-F Segment)</b>		
4.2 (AJ8FT)		Gasolina	RWD	4196	291	395	09.05-12.09	■
<b>FORD</b>								
<b>C-MAX (DM2) 02.07-09.10</b>						<b>MPV (Compact MPV-M1 Segment)</b>		
1.6 (HWDA)		Gasolina	FWD	1596	74	100	02.07-09.10	■
1.6 (HWDB)		Gasolina	FWD	1596	74	100	02.07-09.10	■
1.6 (SHDA)		Gasolina	FWD	1596	74	100	02.07-09.10	■
1.6 (SHDB)		Gasolina	FWD	1596	74	100	02.07-09.10	■
1.6 (SHDC)		Gasolina	FWD	1596	74	100	02.07-09.10	■
1.6 (HXDA)		Gasolina	FWD	1596	85	116	04.07-09.10	■
1.6 (HXDB)		Gasolina	FWD	1596	85	116	04.07-09.10	■
1.6 (SIDA)		Gasolina	FWD	1596	85	116	04.07-09.10	■
1.8 (QQDC)		Gasolina	FWD	1798	90	122	02.07-09.10	■
1.8 (QQDA)		Gasolina	FWD	1798	92	125	02.07-09.10	■
1.8 (QQDB)		Gasolina	FWD	1798	92	125	02.07-09.10	■
2.0 (AODA)		Gasolina	FWD	1999	107	145	02.07-09.10	■
2.0 (AODB)		Gasolina	FWD	1999	107	145	02.07-09.10	■
2.0 (AODE)		Gasolina	FWD	1999	107	145	02.07-09.10	■
2.0 (SYDA)		Gasolina	FWD	1999	107	145	02.07-09.10	■
2.0 LPG (SYDA)		Gasol./Gas (LPG)	FWD	1999	107	145	06.08-09.10	■
2.0 CNG (SYDA)		Gasol./Gas (CNG)	FWD	1999	107	145	04.09-09.10	■
1.8 Flexifuel (Q7DA)		Gasol./Etanol	FWD	1798	92	125	02.07-09.10	■
1.6 TDCi (GPDA)		Diesel	FWD	1560	66	90	02.07-09.10	■
1.6 TDCi (HHDA)		Diesel	FWD	1560	66	90	02.07-09.10	■

# LISTA DE APLICACIONES - BUYERS GUIDE

1.6 TDCi (HHDB)		Diesel	FWD	1560	66	90	02.07-09.10	■
1.6 TDCi (G8DC)		Diesel	FWD	1560	74	101	02.07-09.10	■
1.6 TDCi (MTDA)		Diesel	FWD	1560	74	101	02.07-09.10	■
1.6 TDCi (G8DA)		Diesel	FWD	1560	80	109	02.07-09.10	■
1.6 TDCi (G8DB)		Diesel	FWD	1560	80	109	02.07-09.10	■
1.6 TDCi (G8DD)		Diesel	FWD	1560	80	109	02.07-09.10	■
1.8 TDCi (KKDA)		Diesel	FWD	1753	85	115	02.07-09.10	■
1.8 TDCi (KKDB)		Diesel	FWD	1753	85	115	02.07-09.10	■
2.0 TDCi (IXDA)		Diesel	FWD	1997	81	110	02.08-09.10	■
2.0 TDCi (G6DC)		Diesel	FWD	1997	98	133	02.07-09.10	■
2.0 TDCi (G6DE)		Diesel	FWD	1997	98	133	02.07-09.10	■
2.0 TDCi (G6DF)		Diesel	FWD	1997	98	133	02.07-09.10	■
2.0 TDCi (G6DA)		Diesel	FWD	1997	100	136	02.07-09.10	■
2.0 TDCi (G6DB)		Diesel	FWD	1997	100	136	02.07-09.10	■
2.0 TDCi (G6DD)		Diesel	FWD	1997	100	136	02.07-09.10	■
2.0 TDCi (G6DG)		Diesel	FWD	1997	100	136	02.07-09.10	■
<b>FOCUS II 10.06-09.10</b>							<b>Convertible (Compact car-C Segment)</b>	
1.6 (HWDA)		Gasolina	FWD	1596	74	100	10.06-09.10	■
1.6 (HWDB)		Gasolina	FWD	1596	74	100	10.06-09.10	■
1.6 (SHDA)		Gasolina	FWD	1596	74	100	10.06-09.10	■
1.6 (SHDB)		Gasolina	FWD	1596	74	100	10.06-09.10	■
1.6 (SHDC)		Gasolina	FWD	1596	74	100	10.06-09.10	■
2.0 (AODA)		Gasolina	FWD	1999	107	145	10.06-09.10	■
2.0 (AODB)		Gasolina	FWD	1999	107	145	10.06-09.10	■
2.0 (AODE)		Gasolina	FWD	1999	107	145	10.06-09.10	■
2.0 (SYDA)		Gasolina	FWD	1999	107	145	10.06-09.10	■
2.0 TDCi (G6DA)		Diesel	FWD	1997	100	136	10.06-09.10	■
2.0 TDCi (G6DB)		Diesel	FWD	1997	100	136	10.06-09.10	■
2.0 TDCi (G6DD)		Diesel	FWD	1997	100	136	10.06-09.10	■
2.0 TDCi (G6DG)		Diesel	FWD	1997	100	136	10.06-09.10	■
<b>FOCUS II 07.04-07.11</b>							<b>Estate Van (Compact car-C Segment)</b>	
1.4 (ASDA)		Gasolina	FWD	1388	59	80	09.05-07.11	■
1.4 (ASDB)		Gasolina	FWD	1388	59	80	09.05-07.11	■
1.6 (HWDA)		Gasolina	FWD	1596	74	101	09.05-07.11	■
1.6 Ti-VCT (HXDA)		Gasolina	FWD	1596	85	116	09.05-07.11	■
1.6 Ti-VCT (HXDB)		Gasolina	FWD	1596	85	116	09.05-07.11	■
1.6 Ti-VCT (SIDA)		Gasolina	FWD	1596	85	116	09.05-07.11	■
1.8 Flexifuel (Q7DA)		Gasol./Etanol	FWD	1798	92	125	06.09-07.11	■
1.8 Flexifuel (QQDA)		Gasol./Etanol	FWD	1798	92	125	06.09-07.11	■
1.6 TDCi (HHDA)		Diesel	FWD	1560	66	90	09.05-07.11	■
1.6 TDCi (G8DC)		Diesel	FWD	1560	74	101	11.04-07.11	■
1.6 TDCi (MTDA)		Diesel	FWD	1560	74	101	11.04-07.11	■
1.6 TDCi (G8DA)		Diesel	FWD	1560	80	109	07.04-07.11	■
2.0 TDCi (IXDA)		Diesel	FWD	1997	81	110	06.09-07.11	■
2.0 TDCi (G6DB)		Diesel	FWD	1997	100	136	09.05-07.11	■
<b>FOCUS II (DA_, HCP, DP) 07.04-09.13</b>							<b>Hatchback (Compact car-C Segment)</b>	
1.4 (ASDA)		Gasolina	FWD	1388	59	80	07.04-09.12	■
1.4 (ASDB)		Gasolina	FWD	1388	59	80	07.04-09.12	■
1.6 (HWDA)		Gasolina	FWD	1596	74	100	07.04-09.12	■

# LISTA DE APLICACIONES - BUYERS GUIDE

1.6 (HWDB)		Gasolina	FWD	1596	74	100	07.04-09.12	■
1.6 (SHDA)		Gasolina	FWD	1596	74	100	07.04-09.12	■
1.6 (SHDB)		Gasolina	FWD	1596	74	100	07.04-09.12	■
1.6 (SHDC)		Gasolina	FWD	1596	74	100	07.04-09.12	■
1.6 Ti (HXDA)		Gasolina	FWD	1596	85	115	07.04-09.12	■
1.6 Ti (HXDB)		Gasolina	FWD	1596	85	115	07.04-09.12	■
1.6 Ti (SIDA)		Gasolina	FWD	1596	85	115	07.04-09.12	■
1.8 (Q7DA)		Gasolina	FWD	1798	92	125	03.06-09.12	■
1.8 (QQDA)		Gasolina	FWD	1798	92	125	03.06-09.12	■
1.8 (QQDB)		Gasolina	FWD	1798	92	125	03.06-09.12	■
2.0		Gasolina	FWD	1999	104	140	06.05-09.08	■
2.0 (AODA)		Gasolina	FWD	1999	107	145	07.04-09.12	■
2.0 (AODB)		Gasolina	FWD	1999	107	145	07.04-09.12	■
2.0 (AODE)		Gasolina	FWD	1999	107	145	07.04-09.12	■
2.5 ST (HYDA)		Gasolina	FWD	2522	166	225	10.05-09.12	■
1.6 LPG (SIDA)		Gasol./Gas (LPG)	FWD	1596	85	115	10.09-07.11	■
2.0 LPG (SYDA)		Gasol./Gas (LPG)	FWD	1999	107	145	06.08-07.11	■
2.0 CNG (SYDA)		Gasol./Gas (CNG)	FWD	1999	107	145	04.09-07.11	■
1.8 Flexifuel (Q7DA)		Gasol./Etanol	FWD	1798	92	125	01.06-09.12	■
1.8 Flexifuel (QQDA)		Gasol./Etanol	FWD	1798	92	125	01.06-09.12	■
1.8 Flexifuel (QQDB)		Gasol./Etanol	FWD	1798	92	125	01.06-09.12	■
2.0 Flex (SYDA)		Gasol./Etanol	FWD	1999	107	145	10.08-03.10	■
1.6 TDCi (GPDA)		Diesel	FWD	1560	66	90	01.05-09.12	■
1.6 TDCi (GPDB)		Diesel	FWD	1560	66	90	01.05-09.12	■
1.6 TDCi (GPDC)		Diesel	FWD	1560	66	90	01.05-09.12	■
1.6 TDCi (HHDA)		Diesel	FWD	1560	66	90	01.05-09.12	■
1.6 TDCi (HHDB)		Diesel	FWD	1560	66	90	01.05-09.12	■
1.6 TDCi (G8DC)		Diesel	FWD	1560	74	100	07.04-09.12	■
1.6 TDCi (MTDA)		Diesel	FWD	1560	74	100	07.04-09.12	■
1.6 TDCi (G8DA)		Diesel	FWD	1560	80	109	07.04-09.12	■
1.6 TDCi (G8DB)		Diesel	FWD	1560	80	109	07.04-09.12	■
1.6 TDCi (G8DD)		Diesel	FWD	1560	80	109	07.04-09.12	■
1.6 TDCi (G8DE)		Diesel	FWD	1560	80	109	07.04-09.12	■
1.6 TDCi (G8DF)		Diesel	FWD	1560	80	109	07.04-09.12	■
1.8 TDCi (KKDA)		Diesel	FWD	1753	85	115	01.05-09.12	■
2.0 TDCi (IXDA)		Diesel	FWD	1997	81	110	02.08-07.11	■
2.0 TDCi (G6DE)		Diesel	FWD	1997	98	133	07.04-01.08	■
2.0 TDCi (G6DF)		Diesel	FWD	1997	98	133	07.04-01.08	■
2.0 TDCi (G6DA)		Diesel	FWD	1997	100	136	07.04-09.12	■
2.0 TDCi (G6DB)		Diesel	FWD	1997	100	136	07.04-09.12	■
2.0 TDCi (G6DD)		Diesel	FWD	1997	100	136	07.04-09.12	■
2.0 TDCi (G6DG)		Diesel	FWD	1997	100	136	07.04-09.12	■
<b>FOCUS II (DB_, FCH, DH) 04.05-</b>					<b>Saloon (Compact car-C Segment)</b>			
1.4 (ASDA)		Gasolina	FWD	1388	59	80	04.05-09.12	■
1.4 (ASDB)		Gasolina	FWD	1388	59	80	04.05-09.12	■
1.6 (HWDA)		Gasolina	FWD	1596	74	100	04.05-09.12	■
1.6 (HWDB)		Gasolina	FWD	1596	74	100	04.05-09.12	■

# LISTA DE APLICACIONES - BUYERS GUIDE

1.6 (SHDA)		Gasolina	FWD	1596	74	100	04.05-09.12	■
1.6 (SHDB)		Gasolina	FWD	1596	74	100	04.05-09.12	■
1.6 (SHDC)		Gasolina	FWD	1596	74	100	04.05-09.12	■
1.6 Ti (HXDA)		Gasolina	FWD	1596	85	115	04.05-09.12	■
1.6 Ti (HXDB)		Gasolina	FWD	1596	85	115	04.05-09.12	■
1.6 Ti (SIDA)		Gasolina	FWD	1596	85	115	04.05-09.12	■
1.8 (Q7DA)		Gasolina	FWD	1798	92	125	03.06-09.12	■
1.8 (QQDA)		Gasolina	FWD	1798	92	125	03.06-09.12	■
1.8 (QQDB)		Gasolina	FWD	1798	92	125	03.06-09.12	■
2.0 (AODA)		Gasolina	FWD	1999	107	145	04.05-07.11	■
2.0 (AODB)		Gasolina	FWD	1999	107	145	04.05-07.11	■
2.0 (AODE)		Gasolina	FWD	1999	107	145	04.05-07.11	■
2.0 (SYDA)		Gasolina	FWD	1999	107	145	04.05-07.11	■
1.8 Flexifuel (Q7DA)		Gasol./Etanol	FWD	1798	92	125	06.06-07.11	■
1.8 Flexifuel (QQDA)		Gasol./Etanol	FWD	1798	92	125	06.06-07.11	■
1.8 Flexifuel (QQDB)		Gasol./Etanol	FWD	1798	92	125	06.06-07.11	■
1.8 Flexifuel		Gasol./Etanol	FWD	1798	96	131	12.05-01.08	■
1.6 TDCi (GPDA)		Diesel	FWD	1560	66	90	04.05-09.12	■
1.6 TDCi (GPDB)		Diesel	FWD	1560	66	90	04.05-09.12	■
1.6 TDCi (GPDC)		Diesel	FWD	1560	66	90	04.05-09.12	■
1.6 TDCi (HHDA)		Diesel	FWD	1560	66	90	04.05-09.12	■
1.6 TDCi (HHDB)		Diesel	FWD	1560	66	90	04.05-09.12	■
1.6 TDCi (G8DC)		Diesel	FWD	1560	74	100	04.05-09.12	■
1.6 TDCi (MTDA)		Diesel	FWD	1560	74	100	04.05-09.12	■
1.6 TDCi (G8DA)		Diesel	FWD	1560	80	109	04.05-09.12	■
1.6 TDCi (G8DB)		Diesel	FWD	1560	80	109	04.05-09.12	■
1.6 TDCi (G8DD)		Diesel	FWD	1560	80	109	04.05-09.12	■
1.6 TDCi (G8DE)		Diesel	FWD	1560	80	109	04.05-09.12	■
1.6 TDCi (G8DF)		Diesel	FWD	1560	80	109	04.05-09.12	■
1.8 TDCi (KKDA)		Diesel	FWD	1753	85	115	04.05-09.12	■
2.0 TDCi (IXDA)		Diesel	FWD	1997	81	110	02.08-07.11	■
2.0 TDCi (G6DA)		Diesel	FWD	1997	100	136	04.05-09.12	■
2.0 TDCi (G6DB)		Diesel	FWD	1997	100	136	04.05-09.12	■
2.0 TDCi (G6DD)		Diesel	FWD	1997	100	136	04.05-09.12	■
2.0 TDCi (G6DG)		Diesel	FWD	1997	100	136	04.05-09.12	■
<b>FOCUS II Turnier (DA_, FFS, DS) 07.04-09.12</b>							<b>Estate (Compact car-C Segment)</b>	
1.4 (ASDA)		Gasolina	FWD	1388	59	80	07.04-09.12	■
1.4 (ASDB)		Gasolina	FWD	1388	59	80	07.04-09.12	■
1.6 (HWDA)		Gasolina	FWD	1596	74	100	07.04-07.11	■
1.6 (HWDB)		Gasolina	FWD	1596	74	100	07.04-07.11	■
1.6 (SHDA)		Gasolina	FWD	1596	74	100	07.04-07.11	■
1.6 (SHDB)		Gasolina	FWD	1596	74	100	07.04-07.11	■
1.6 (SHDC)		Gasolina	FWD	1596	74	100	07.04-07.11	■
1.6 Ti (HXDA)		Gasolina	FWD	1596	85	115	07.04-09.12	■
1.6 Ti (HXDB)		Gasolina	FWD	1596	85	115	07.04-09.12	■
1.6 Ti (SIDA)		Gasolina	FWD	1596	85	115	07.04-09.12	■
1.8 (Q7DA)		Gasolina	FWD	1798	92	125	03.06-09.12	■
1.8 (QQDA)		Gasolina	FWD	1798	92	125	03.06-09.12	■
1.8 (QQDB)		Gasolina	FWD	1798	92	125	03.06-09.12	■

# LISTA DE APLICACIONES - BUYERS GUIDE

2.0 (AODA)		Gasolina	FWD	1999	107	145	07.04-09.12	■	
2.0 (AODB)		Gasolina	FWD	1999	107	145	07.04-09.12	■	
2.0 (AODE)		Gasolina	FWD	1999	107	145	07.04-09.12	■	
2.0 (SYDA)		Gasolina	FWD	1999	107	145	07.04-09.12	■	
1.6 LPG (SIDA)		Gasol./Gas (LPG)	FWD	1596	85	115	10.09-09.12	■	
2.0 LPG (SYDA)		Gasol./Gas (LPG)	FWD	1999	107	145	06.08-07.11	■	
1.8 Flexifuel (Q7DA)		Gasol./Etanol	FWD	1798	92	125	01.06-09.12	■	
1.8 Flexifuel (QQDA)		Gasol./Etanol	FWD	1798	92	125	01.06-09.12	■	
1.8 Flexifuel (QQDB)		Gasol./Etanol	FWD	1798	92	125	01.06-09.12	■	
1.6 TDCi (GPDA)		Diesel	FWD	1560	66	90	07.04-09.12	■	
1.6 TDCi (GPDB)		Diesel	FWD	1560	66	90	07.04-09.12	■	
1.6 TDCi (GPDC)		Diesel	FWD	1560	66	90	07.04-09.12	■	
1.6 TDCi (HHDA)		Diesel	FWD	1560	66	90	07.04-09.12	■	
1.6 TDCi (HHDB)		Diesel	FWD	1560	66	90	07.04-09.12	■	
1.6 TDCi (G8DC)		Diesel	FWD	1560	74	100	07.04-09.12	■	
1.6 TDCi (MTDA)		Diesel	FWD	1560	74	100	07.04-09.12	■	
1.6 TDCi (G8DA)		Diesel	FWD	1560	80	109	07.04-09.12	■	
1.6 TDCi (G8DB)		Diesel	FWD	1560	80	109	07.04-09.12	■	
1.6 TDCi (G8DD)		Diesel	FWD	1560	80	109	07.04-09.12	■	
1.6 TDCi (G8DE)		Diesel	FWD	1560	80	109	07.04-09.12	■	
1.6 TDCi (G8DF)		Diesel	FWD	1560	80	109	07.04-09.12	■	
1.6 TDCi (G8DA)		Diesel	FWD	1560	81	110	12.07-09.12	■	
1.8 TDCi (KKDA)		Diesel	FWD	1753	85	115	07.04-09.12	■	
2.0 TDCi (IXDA)		Diesel	FWD	1997	81	110	02.08-07.11	■	
2.0 TDCi (G6DE)		Diesel	FWD	1997	98	133	07.04-01.08	■	
2.0 TDCi (G6DF)		Diesel	FWD	1997	98	133	07.04-01.08	■	
2.0 TDCi (G6DA)		Diesel	FWD	1997	100	136	07.04-09.12	■	
2.0 TDCi (G6DB)		Diesel	FWD	1997	100	136	07.04-09.12	■	
2.0 TDCi (G6DD)		Diesel	FWD	1997	100	136	07.04-09.12	■	
2.0 TDCi (G6DG)		Diesel	FWD	1997	100	136	07.04-09.12	■	
<b>FOCUS III 02.12-</b>							<b>Estate Van (Compact car-C Segment)</b>		
1.0 EcoBoost (M2DA)		Gasolina	FWD	998	74	100	02.12-02.20	■	
1.0 EcoBoost (M2DB)		Gasolina	FWD	998	74	100	02.12-02.20	■	
1.0 EcoBoost (M2DC)		Gasolina	FWD	998	74	100	02.12-02.20	■	
1.0 EcoBoost (SFDA)		Gasolina	FWD	998	74	100	02.12-02.20	■	
1.0 EcoBoost (SFDB)		Gasolina	FWD	998	74	100	02.12-02.20	■	
1.0 EcoBoost (M1DA)		Gasolina	FWD	998	92	125	02.12-02.20	■	
1.0 EcoBoost (M1DC)		Gasolina	FWD	998	92	125	02.12-02.20	■	
1.0 EcoBoost (M1DD)		Gasolina	FWD	998	92	125	02.12-02.20	■	
1.5 EcoBoost (M8DA)		Gasolina	FWD	1498	110	150	09.14-02.20	■	
1.5 EcoBoost (M8DB)		Gasolina	FWD	1498	110	150	09.14-02.20	■	
1.5 EcoBoost (M8DD)		Gasolina	FWD	1498	110	150	09.14-02.20	■	
1.5 EcoBoost (M8DE)		Gasolina	FWD	1498	110	150	09.14-02.20	■	
1.5 EcoBoost (M9DA)		Gasolina	FWD	1498	134	182	09.14-02.20	■	
1.5 EcoBoost (M9DB)		Gasolina	FWD	1498	134	182	09.14-02.20	■	
1.5 TDCi (XXDA)		Diesel	FWD	1499	70	95	09.14-02.20	■	
1.5 TDCi (XXDC)		Diesel	FWD	1499	70	95	09.14-02.20	■	
1.5 TDCi ECOnetic (XXDB)		Diesel	FWD	1499	77	105	09.14-02.20	■	
1.5 TDCi (XWDA)		Diesel	FWD	1499	88	120	09.14-02.20	■	

# LISTA DE APLICACIONES - BUYERS GUIDE

1.5 TDCi (XWDB)		Diesel	FWD	1499	88	120	09.14-02.20	■	
1.5 TDCi (XWDC)		Diesel	FWD	1499	88	120	09.14-02.20	■	
1.5 TDCi (XWDD)		Diesel	FWD	1499	88	120	09.14-02.20	■	
2.0 TDCi (T7DA)		Diesel	FWD	1997	110	150	11.14-02.20	■	
2.0 TDCi (T7DB)		Diesel	FWD	1997	110	150	11.14-02.20	■	
<b>FOCUS III (C346) 01.11-</b>							<b>Hatchback Van (Compact car-C Segment)</b>		
1.0 EcoBoost (M2DA)		Gasolina	FWD	998	74	100	02.12-12.17	■	
1.0 EcoBoost (M2DB)		Gasolina	FWD	998	74	100	02.12-12.17	■	
1.0 EcoBoost (M2DC)		Gasolina	FWD	998	74	100	02.12-12.17	■	
1.0 EcoBoost (SFDA)		Gasolina	FWD	998	74	100	02.12-12.17	■	
1.0 EcoBoost (SFDB)		Gasolina	FWD	998	74	100	02.12-12.17	■	
1.0 EcoBoost (M1DA)		Gasolina	FWD	998	92	125	02.12-12.17	■	
1.0 EcoBoost (M1DC)		Gasolina	FWD	998	92	125	02.12-12.17	■	
1.0 EcoBoost (M1DD)		Gasolina	FWD	998	92	125	02.12-12.17	■	
1.5 EcoBoost (M8DA)		Gasolina	FWD	1498	110	150	09.14-12.17	■	
1.5 EcoBoost (M8DB)		Gasolina	FWD	1498	110	150	09.14-12.17	■	
1.5 EcoBoost (M9DA)		Gasolina	FWD	1498	134	182	09.14-12.17	■	
1.5 EcoBoost (M9DB)		Gasolina	FWD	1498	134	182	09.14-12.17	■	
1.6 Ti (IQDA)		Gasolina	FWD	1596	77	105	01.11-02.20	■	
1.6 Ti (IQDB)		Gasolina	FWD	1596	77	105	01.11-02.20	■	
1.6 EcoBoost (JQDA)		Gasolina	FWD	1596	110	150	11.11-06.14	■	
1.6 EcoBoost (JQDB)		Gasolina	FWD	1596	110	150	11.11-06.14	■	
1.6 EcoBoost (YUDA)		Gasolina	FWD	1596	110	150	11.11-06.14	■	
1.6 EcoBoost (JTDA)		Gasolina	FWD	1596	134	182	11.11-06.14	■	
1.6 EcoBoost (JTDB)		Gasolina	FWD	1596	134	182	11.11-06.14	■	
1.5 TDCi (XXDA)		Diesel	FWD	1499	70	95	09.14-12.17	■	
1.5 TDCi (XXDC)		Diesel	FWD	1499	70	95	09.14-12.17	■	
1.5 TDCi (XXDD)		Diesel	FWD	1499	70	95	09.14-12.17	■	
1.5 TDCi ECOnetic (AEDA)		Diesel	FWD	1499	77	105	09.14-12.17	■	
1.5 TDCi ECOnetic (XXDB)		Diesel	FWD	1499	77	105	09.14-12.17	■	
1.5 TDCi (XWDA)		Diesel	FWD	1499	88	120	09.14-12.17	■	
1.5 TDCi (XWDB)		Diesel	FWD	1499	88	120	09.14-12.17	■	
1.5 TDCi (XWDC)		Diesel	FWD	1499	88	120	09.14-12.17	■	
1.5 TDCi (XWDD)		Diesel	FWD	1499	88	120	09.14-12.17	■	
1.5 TDCi (XWDE)		Diesel	FWD	1499	88	120	09.14-12.17	■	
1.6 TDCi (T3DA)		Diesel	FWD	1560	70	95	01.11-12.17	■	
1.6 TDCi (T3DB)		Diesel	FWD	1560	70	95	01.11-12.17	■	
1.6 TDCi (T1DA)		Diesel	FWD	1560	85	115	02.12-12.17	■	
1.6 TDCi (T1DB)		Diesel	FWD	1560	85	115	02.12-12.17	■	
2.0 TDCi (TYDA)		Diesel	FWD	1997	85	115	01.11-06.14	■	
2.0 TDCi (UFDB)		Diesel	FWD	1997	103	140	01.11-06.14	■	
2.0 TDCi (T7DA)		Diesel	FWD	1997	110	150	11.14-12.17	■	
2.0 TDCi (T7DB)		Diesel	FWD	1997	110	150	11.14-12.17	■	
2.0 TDCi (TXDB)		Diesel	FWD	1997	120	163	01.11-06.14	■	
<b>FOCUS III (C346) 07.10-</b>							<b>Hatchback (Compact car-C Segment)</b>		
1.0 EcoBoost (M2DA)		Gasolina	FWD	998	74	100	02.12-12.17	■	
1.0 EcoBoost (M2DB)		Gasolina	FWD	998	74	100	02.12-12.17	■	
1.0 EcoBoost (M2DC)		Gasolina	FWD	998	74	100	02.12-12.17	■	
1.0 EcoBoost (SFDA)		Gasolina	FWD	998	74	100	02.12-12.17	■	
1.0 EcoBoost (SFDB)		Gasolina	FWD	998	74	100	02.12-12.17	■	

# LISTA DE APLICACIONES - BUYERS GUIDE

1.0 EcoBoost (M1DA)		Gasolina	FWD	998	92	125	02.12-12.17	■
1.0 EcoBoost (M1DC)		Gasolina	FWD	998	92	125	02.12-12.17	■
1.0 EcoBoost (M1DD)		Gasolina	FWD	998	92	125	02.12-12.17	■
1.0 EcoBoost (M1DH)		Gasolina	FWD	998	103	140	10.17-02.20	■
1.5 EcoBoost (M8DA)		Gasolina	FWD	1498	110	150	09.14-12.17	■
1.5 EcoBoost (M8DB)		Gasolina	FWD	1498	110	150	09.14-12.17	■
1.5 EcoBoost (M9DA)		Gasolina	FWD	1498	134	182	09.14-12.17	■
1.5 EcoBoost (M9DB)		Gasolina	FWD	1498	134	182	09.14-12.17	■
1.6 Ti (XTDA)		Gasolina	FWD	1596	63	85	08.11-12.17	■
1.6 Ti (XTDB)		Gasolina	FWD	1596	63	85	08.11-12.17	■
1.6 Ti (IQDA)		Gasolina	FWD	1596	77	105	07.10-02.20	■
1.6 Ti (IQDB)		Gasolina	FWD	1596	77	105	07.10-02.20	■
1.6 Ti (IQDC)		Gasolina	FWD	1596	77	105	07.10-02.20	■
1.6 Ti (MUDA)		Gasolina	FWD	1596	88	120	02.12-12.17	■
1.6 Ti (MUDD)		Gasolina	FWD	1596	88	120	02.12-12.17	■
1.6 Ti (PNDA)		Gasolina	FWD	1596	92	125	07.10-12.17	■
1.6 Ti (PNDD)		Gasolina	FWD	1596	92	125	07.10-12.17	■
1.6 EcoBoost (JQDA)		Gasolina	FWD	1596	110	150	07.10-06.14	■
1.6 EcoBoost (JQDB)		Gasolina	FWD	1596	110	150	07.10-06.14	■
1.6 EcoBoost (YUDA)		Gasolina	FWD	1596	110	150	07.10-06.14	■
1.6 EcoBoost (JTDA)		Gasolina	FWD	1596	134	182	07.10-06.14	■
1.6 EcoBoost (JTDB)		Gasolina	FWD	1596	134	182	07.10-06.14	■
2.0 (XQDA)		Gasolina	FWD	1999	110	150	10.13-12.17	■
2.0 Ti-GDi (MGDA)		Gasolina	FWD	1999	125	170	08.11-02.20	■
2.0 ST (R9DA)		Gasolina	FWD	1999	184	250	07.12-12.17	■
2.0 ST (R9DB)		Gasolina	FWD	1999	184	250	07.12-12.17	■
2.0 ST (R9DC)		Gasolina	FWD	1999	184	250	07.12-12.17	■
2.0 ST (R9DD)		Gasolina	FWD	1999	184	250	07.12-12.17	■
1.6 LPG (MUDA)		Gasol./G as (LPG)	FWD	1596	86	117	02.12-02.20	■
1.6 LPG (MUDA)		Gasol./G as (LPG)	FWD	1596	88	120	02.12-02.20	■
1.6 LPG (MUDD)		Gasol./G as (LPG)	FWD	1596	88	120	02.12-02.20	■
1.6 Flexifuel (MUDA)		Gasol./Et anol	FWD	1596	88	120	07.10-02.20	■
1.6 Flexifuel (MUDD)		Gasol./Et anol	FWD	1596	88	120	07.10-02.20	■
1.6 Flexifuel (YUDA)		Gasol./Et anol	FWD	1596	110	150	07.13-02.20	■
1.5 TDCi (XXDA)		Diesel	FWD	1499	70	95	09.14-04.18	■
1.5 TDCi (XXDC)		Diesel	FWD	1499	70	95	09.14-04.18	■
1.5 TDCi (XXDD)		Diesel	FWD	1499	70	95	09.14-04.18	■
1.5 TDCi ECOnetic (AEDA)		Diesel	FWD	1499	77	105	09.14-12.17	■
1.5 TDCi ECOnetic (XXDB)		Diesel	FWD	1499	77	105	09.14-12.17	■
1.5 TDCi (XWDA)		Diesel	FWD	1499	88	120	09.14-04.18	■
1.5 TDCi (XWDB)		Diesel	FWD	1499	88	120	09.14-04.18	■
1.5 TDCi (XWDC)		Diesel	FWD	1499	88	120	09.14-04.18	■
1.5 TDCi (XWDD)		Diesel	FWD	1499	88	120	09.14-04.18	■
1.5 TDCi (XWDE)		Diesel	FWD	1499	88	120	09.14-04.18	■
1.6 TDCi (T3DA)		Diesel	FWD	1560	70	95	07.10-12.17	■
1.6 TDCi (T3DB)		Diesel	FWD	1560	70	95	07.10-12.17	■
1.6 TDCi ECOnetic (NGDA)		Diesel	FWD	1560	77	105	05.12-07.15	■
1.6 TDCi ECOnetic (NGDB)		Diesel	FWD	1560	77	105	05.12-07.15	■
1.6 TDCi (T1DA)		Diesel	FWD	1560	85	115	07.10-12.17	■

# LISTA DE APLICACIONES - BUYERS GUIDE

1.6 TDCi (T1DB)		Diesel	FWD	1560	85	115	07.10-12.17	■
2.0 TDCi (TYDA)		Diesel	FWD	1997	85	115	07.10-06.14	■
2.0 TDCi (UKDB)		Diesel	FWD	1997	100	136	07.10-06.14	■
2.0 TDCi (UFDB)		Diesel	FWD	1997	103	140	07.10-06.14	■
2.0 TDCi (T7DA)		Diesel	FWD	1997	110	150	11.14-12.17	■
2.0 TDCi (T7DB)		Diesel	FWD	1997	110	150	11.14-12.17	■
2.0 TDCi (TXDB)		Diesel	FWD	1997	120	163	07.10-06.14	■
2.0 TDCi ST (T8DA)		Diesel	FWD	1997	136	185	11.14-12.17	■
<b>FOCUS III (C346) 07.10-</b>				<b>Saloon (Compact car-C Segment)</b>				
1.0 EcoBoost (M2DA)		Gasolina	FWD	998	74	100	02.12-02.20	■
1.0 EcoBoost (M2DB)		Gasolina	FWD	998	74	100	02.12-02.20	■
1.0 EcoBoost (M2DC)		Gasolina	FWD	998	74	100	02.12-02.20	■
1.0 EcoBoost (SFDA)		Gasolina	FWD	998	74	100	02.12-02.20	■
1.0 EcoBoost (SFDB)		Gasolina	FWD	998	74	100	02.12-02.20	■
1.0 EcoBoost (M1DA)		Gasolina	FWD	998	92	125	02.12-02.20	■
1.0 EcoBoost (M1DC)		Gasolina	FWD	998	92	125	02.12-02.20	■
1.0 EcoBoost (M1DD)		Gasolina	FWD	998	92	125	02.12-02.20	■
1.0 EcoBoost (M1DH)		Gasolina	FWD	998	103	140	10.17-02.20	■
1.5 EcoBoost (M8DA)		Gasolina	FWD	1498	110	150	11.14-02.20	■
1.5 EcoBoost (M8DB)		Gasolina	FWD	1498	110	150	11.14-02.20	■
1.5 EcoBoost (M9DA)		Gasolina	FWD	1498	134	182	11.14-02.20	■
1.5 EcoBoost (M9DB)		Gasolina	FWD	1498	134	182	11.14-02.20	■
1.6 Ti (XTDA)		Gasolina	FWD	1596	63	85	08.11-02.20	■
1.6 Ti (XTDB)		Gasolina	FWD	1596	63	85	08.11-02.20	■
1.6 Ti (IQDA)		Gasolina	FWD	1596	77	105	07.10-02.20	■
1.6 Ti (IQDB)		Gasolina	FWD	1596	77	105	07.10-02.20	■
1.6 Ti (IQDC)		Gasolina	FWD	1596	77	105	07.10-02.20	■
1.6 Ti (PNDA)		Gasolina	FWD	1596	92	125	07.10-02.20	■
1.6 Ti (PNDD)		Gasolina	FWD	1596	92	125	07.10-02.20	■
1.6 EcoBoost (JQDA)		Gasolina	FWD	1596	110	150	07.10-06.14	■
1.6 EcoBoost (JQDB)		Gasolina	FWD	1596	110	150	07.10-06.14	■
1.6 EcoBoost (YUDA)		Gasolina	FWD	1596	110	150	07.10-06.14	■
1.6 EcoBoost (JTDA)		Gasolina	FWD	1596	134	182	07.10-06.14	■
1.6 EcoBoost (JTDB)		Gasolina	FWD	1596	134	182	07.10-06.14	■
2.0 (XQDA)		Gasolina	FWD	1999	110	150	10.13-02.20	■
1.6 Flexifuel (MUDA)		Gasol./Etanol	FWD	1596	88	120	07.10-02.20	■
1.6 Flexifuel (MUDD)		Gasol./Etanol	FWD	1596	88	120	07.10-02.20	■
1.6 Flexifuel (YUDA)		Gasol./Etanol	FWD	1596	110	150	07.13-02.20	■
1.5 TDCi (XXDA)		Diesel	FWD	1499	70	95	11.14-02.20	■
1.5 TDCi (XXDC)		Diesel	FWD	1499	70	95	11.14-02.20	■
1.5 TDCi (XXDD)		Diesel	FWD	1499	70	95	11.14-02.20	■
1.5 TDCi ECOnetic (AEDA)		Diesel	FWD	1499	77	105	11.14-02.20	■
1.5 TDCi ECOnetic (XXDB)		Diesel	FWD	1499	77	105	11.14-02.20	■
1.5 TDCi (XWDA)		Diesel	FWD	1499	88	120	11.14-02.20	■
1.5 TDCi (XWDB)		Diesel	FWD	1499	88	120	11.14-02.20	■
1.5 TDCi (XWDC)		Diesel	FWD	1499	88	120	11.14-02.20	■
1.5 TDCi (XWDD)		Diesel	FWD	1499	88	120	11.14-02.20	■
1.5 TDCi (XWDE)		Diesel	FWD	1499	88	120	11.14-02.20	■
1.6 TDCi (T3DA)		Diesel	FWD	1560	70	95	07.10-02.20	■
1.6 TDCi (T3DB)		Diesel	FWD	1560	70	95	07.10-02.20	■

# LISTA DE APLICACIONES - BUYERS GUIDE

1.6 TDCi (NGDA)		Diesel	FWD	1560	77	105	05.12-07.15	■
1.6 TDCi (NGDB)		Diesel	FWD	1560	77	105	05.12-07.15	■
1.6 TDCi (T1DA)		Diesel	FWD	1560	85	115	07.10-02.20	■
1.6 TDCi (T1DB)		Diesel	FWD	1560	85	115	07.10-02.20	■
2.0 TDCi (TYDA)		Diesel	FWD	1997	85	115	07.10-06.14	■
2.0 TDCi (UKDB)		Diesel	FWD	1997	100	136	07.10-06.14	■
2.0 TDCi (UFDB)		Diesel	FWD	1997	103	140	07.10-06.14	■
2.0 TDCi (T7DA)		Diesel	FWD	1997	110	150	11.14-02.20	■
2.0 TDCi (T7DB)		Diesel	FWD	1997	110	150	11.14-02.20	■
2.0 TDCi (TXDB)		Diesel	FWD	1997	120	163	07.10-06.14	■
<b>FOCUS III Turnier (C346) 07.10-</b>						<b>Estate (Compact car-C Segment)</b>		
1.0 EcoBoost (M2DA)		Gasolina	FWD	998	74	100	02.12-02.20	■
1.0 EcoBoost (M2DB)		Gasolina	FWD	998	74	100	02.12-02.20	■
1.0 EcoBoost (M2DC)		Gasolina	FWD	998	74	100	02.12-02.20	■
1.0 EcoBoost (SFDA)		Gasolina	FWD	998	74	100	02.12-02.20	■
1.0 EcoBoost (SFDB)		Gasolina	FWD	998	74	100	02.12-02.20	■
1.0 EcoBoost (M1DA)		Gasolina	FWD	998	92	125	02.12-02.20	■
1.0 EcoBoost (M1DC)		Gasolina	FWD	998	92	125	02.12-02.20	■
1.0 EcoBoost (M1DD)		Gasolina	FWD	998	92	125	02.12-02.20	■
1.0 EcoBoost (M1DH)		Gasolina	FWD	998	103	140	10.17-02.20	■
1.5 EcoBoost (M8DA)		Gasolina	FWD	1498	110	150	09.14-02.20	■
1.5 EcoBoost (M8DB)		Gasolina	FWD	1498	110	150	09.14-02.20	■
1.5 EcoBoost (M9DA)		Gasolina	FWD	1498	134	182	09.14-02.20	■
1.5 EcoBoost (M9DB)		Gasolina	FWD	1498	134	182	09.14-02.20	■
1.6 Ti (XTDA)		Gasolina	FWD	1596	63	85	08.11-02.20	■
1.6 Ti (XTDB)		Gasolina	FWD	1596	63	85	08.11-02.20	■
1.6 Ti (IQDB)		Gasolina	FWD	1596	77	105	07.10-02.20	■
1.6 Ti		Gasolina	FWD	1596	77	105	07.14-	■
1.6 Ti (MUDA)		Gasolina	FWD	1596	88	120	02.12-02.20	■
1.6 Ti (MUDD)		Gasolina	FWD	1596	88	120	02.12-02.20	■
1.6 Ti (PNDA)		Gasolina	FWD	1596	92	125	07.10-02.20	■
1.6 Ti (PNDD)		Gasolina	FWD	1596	92	125	07.10-02.20	■
1.6 EcoBoost (JQDA)		Gasolina	FWD	1596	110	150	07.10-06.14	■
1.6 EcoBoost (JQDB)		Gasolina	FWD	1596	110	150	07.10-06.14	■
1.6 EcoBoost (YUDA)		Gasolina	FWD	1596	110	150	07.10-06.14	■
1.6 EcoBoost (JTDA)		Gasolina	FWD	1596	134	182	07.10-06.14	■
1.6 EcoBoost (JTDB)		Gasolina	FWD	1596	134	182	07.10-06.14	■
2.0 (XQDA)		Gasolina	FWD	1999	110	150	10.13-02.20	■
2.0 Ti-GDi (MGDA)		Gasolina	FWD	1999	125	170	07.10-02.20	■
2.0 ST (R9DA)		Gasolina	FWD	1999	184	250	07.12-02.20	■
2.0 ST (R9DB)		Gasolina	FWD	1999	184	250	07.12-02.20	■
2.0 ST (R9DC)		Gasolina	FWD	1999	184	250	07.12-02.20	■
2.0 ST (R9DD)		Gasolina	FWD	1999	184	250	07.12-02.20	■
1.6 LPG (MUDA)		Gasol./Gas (LPG)	FWD	1596	86	117	02.12-02.20	■
1.6 LPG (MUDA)		Gasol./Gas (LPG)	FWD	1596	88	120	02.12-02.20	■
1.6 LPG (MUDD)		Gasol./Gas (LPG)	FWD	1596	88	120	02.12-02.20	■
1.6 Flexifuel (MUDA)		Gasol./Etanol	FWD	1596	88	120	07.10-02.20	■
1.6 Flexifuel (MUDD)		Gasol./Etanol	FWD	1596	88	120	07.10-02.20	■

# LISTA DE APLICACIONES - BUYERS GUIDE

1.6 Flexifuel (YUDA)		Gasol./Etanol	FWD	1596	110	150	07.13-02.20	■	
1.5 TDCi (XXDA)		Diesel	FWD	1499	70	95	09.14-02.20	■	
1.5 TDCi (XXDC)		Diesel	FWD	1499	70	95	09.14-02.20	■	
1.5 TDCi ECOnetic (XXDB)		Diesel	FWD	1499	77	105	09.14-02.20	■	
1.5 TDCi ECOnetic		Diesel	FWD	1499	77	105	09.15-	■	
1.5 TDCi (XWDA)		Diesel	FWD	1499	88	120	09.14-02.20	■	
1.5 TDCi (XWDB)		Diesel	FWD	1499	88	120	09.14-02.20	■	
1.5 TDCi (XWDC)		Diesel	FWD	1499	88	120	09.14-02.20	■	
1.5 TDCi (XWDD)		Diesel	FWD	1499	88	120	09.14-02.20	■	
1.5 TDCi (XWDE)		Diesel	FWD	1499	88	120	09.14-02.20	■	
1.6 TDCi (T3DA)		Diesel	FWD	1560	70	95	07.10-02.20	■	
1.6 TDCi (T3DB)		Diesel	FWD	1560	70	95	07.10-02.20	■	
1.6 TDCi ECOnetic (NGDA)		Diesel	FWD	1560	77	105	05.12-07.15	■	
1.6 TDCi ECOnetic (NGDB)		Diesel	FWD	1560	77	105	05.12-07.15	■	
1.6 TDCi (T1DA)		Diesel	FWD	1560	85	115	07.10-02.20	■	
1.6 TDCi (T1DB)		Diesel	FWD	1560	85	115	07.10-02.20	■	
2.0 TDCi (TYDA)		Diesel	FWD	1997	85	115	07.10-06.14	■	
2.0 TDCi (UKDB)		Diesel	FWD	1997	100	136	07.10-06.14	■	
2.0 TDCi (UFDB)		Diesel	FWD	1997	103	140	07.10-06.14	■	
2.0 TDCi (T7DA)		Diesel	FWD	1997	110	150	11.14-02.20	■	
2.0 TDCi (T7DB)		Diesel	FWD	1997	110	150	11.14-02.20	■	
2.0 TDCi (TXDB)		Diesel	FWD	1997	120	163	07.10-06.14	■	
2.0 TDCi ST (T8DA)		Diesel	FWD	1997	136	185	11.14-02.20	■	
<b>FOCUS C-MAX (DM2) 10.03-03.07</b>					<b>MPV (Compact MPV-M1 Segment)</b>				
1.6 (HWDA)		Gasolina	FWD	1596	74	100	10.03-03.07	■	
1.6 (HWDB)		Gasolina	FWD	1596	74	100	10.03-03.07	■	
1.6 (SHDA)		Gasolina	FWD	1596	74	100	10.03-03.07	■	
1.6 (SHDB)		Gasolina	FWD	1596	74	100	10.03-03.07	■	
1.6 (SHDC)		Gasolina	FWD	1596	74	100	10.03-03.07	■	
1.6 Ti (HXDA)		Gasolina	FWD	1596	85	115	08.04-03.07	■	
1.6 Ti (SIDA)		Gasolina	FWD	1596	85	115	08.04-03.07	■	
1.8 (CSDA)		Gasolina	FWD	1798	88	120	10.03-03.07	■	
1.8 (CSDB)		Gasolina	FWD	1798	88	120	10.03-03.07	■	
1.8 (QQDC)		Gasolina	FWD	1798	90	122	09.05-03.07	■	
1.8 (Q7DA)		Gasolina	FWD	1798	92	125	04.04-03.07	■	
1.8 (QQDA)		Gasolina	FWD	1798	92	125	04.04-03.07	■	
1.8 (QQDB)		Gasolina	FWD	1798	92	125	04.04-03.07	■	
2.0 (AODA)		Gasolina	FWD	1999	107	145	03.04-03.07	■	
2.0 (AODB)		Gasolina	FWD	1999	107	145	03.04-03.07	■	
2.0 (AODE)		Gasolina	FWD	1999	107	145	03.04-03.07	■	
2.0 (SYDA)		Gasolina	FWD	1999	107	145	03.04-03.07	■	
1.8 Flexifuel (Q7DA)		Gasol./Etanol	FWD	1798	92	125	01.06-03.07	■	
1.6 TDCi (HHDA)		Diesel	FWD	1560	66	90	02.05-03.07	■	
1.6 TDCi (HHDB)		Diesel	FWD	1560	66	90	02.05-03.07	■	
1.6 TDCi (G8DA)		Diesel	FWD	1560	80	109	10.03-03.07	■	
1.6 TDCi (G8DB)		Diesel	FWD	1560	80	109	10.03-03.07	■	
1.6 TDCi (G8DD)		Diesel	FWD	1560	80	109	10.03-03.07	■	
1.6 TDCi (G8DE)		Diesel	FWD	1560	80	109	10.03-03.07	■	
1.6 TDCi (G8DF)		Diesel	FWD	1560	80	109	10.03-03.07	■	
1.8 TDCi (KKDA)		Diesel	FWD	1753	85	115	01.05-03.07	■	

# LISTA DE APLICACIONES - BUYERS GUIDE

1.8 TDCi (KKDB)		Diesel	FWD	1753	85	115	01.05-03.07	■	
2.0 TDCi (G6DC)		Diesel	FWD	1997	98	133	10.03-03.07	■	
2.0 TDCi (G6DE)		Diesel	FWD	1997	98	133	10.03-03.07	■	
2.0 TDCi (G6DF)		Diesel	FWD	1997	98	133	10.03-03.07	■	
2.0 TDCi (G6DA)		Diesel	FWD	1997	100	136	10.03-03.07	■	
2.0 TDCi (G6DB)		Diesel	FWD	1997	100	136	10.03-03.07	■	
2.0 TDCi (G6DD)		Diesel	FWD	1997	100	136	10.03-03.07	■	
2.0 TDCi (G6DG)		Diesel	FWD	1997	100	136	10.03-03.07	■	
<b>TOURNEO CONNECT / TRANSIT CONNECT 06.02-12.13</b>							<b>MPV (Large MPV-M1 Segment)</b>		
1.8 16V (EYPA)	01/12-	Gasolina	FWD	1796	85	116	06.02-12.13	■	
1.8 16V (EYPB)	01/12-	Gasolina	FWD	1796	85	116	06.02-12.13	■	
1.8 16V (EYPC)	01/12-	Gasolina	FWD	1796	85	116	06.02-12.13	■	
1.8 16V (EYPD)	01/12-	Gasolina	FWD	1796	85	116	06.02-12.13	■	
1.8 TDCi /TDDi /DI (BHPA)	01/12-	Diesel	FWD	1753	55	75	06.02-12.13	■	
1.8 TDCi /TDDi /DI (P7PA)	01/12-	Diesel	FWD	1753	55	75	06.02-12.13	■	
1.8 TDCi /TDDi /DI (P7PB)	01/12-	Diesel	FWD	1753	55	75	06.02-12.13	■	
1.8 TDCi /TDDi /DI (R2PA)	01/12-	Diesel	FWD	1753	55	75	06.02-12.13	■	
1.8 TDCi (HCPA)	01/12-	Diesel	FWD	1753	66	90	06.02-12.13	■	
1.8 TDCi (HCPB)	01/12-	Diesel	FWD	1753	66	90	06.02-12.13	■	
1.8 TDCi (HCPC)	01/12-	Diesel	FWD	1753	66	90	06.02-12.13	■	
1.8 TDCi (HCPD)	01/12-	Diesel	FWD	1753	66	90	06.02-12.13	■	
1.8 TDCi (P9PA)	01/12-	Diesel	FWD	1753	66	90	06.02-12.13	■	
1.8 TDCi (P9PB)	01/12-	Diesel	FWD	1753	66	90	06.02-12.13	■	
1.8 TDCi (P9PC)	01/12-	Diesel	FWD	1753	66	90	06.02-12.13	■	
1.8 TDCi (P9PD)	01/12-	Diesel	FWD	1753	66	90	06.02-12.13	■	
1.8 TDCi (R3PA)	01/12-	Diesel	FWD	1753	66	90	06.02-12.13	■	
1.8 TDCi (RWPE)	01/12-	Diesel	FWD	1753	66	90	06.02-12.13	■	
1.8 TDCi (RWPF)	01/12-	Diesel	FWD	1753	66	90	06.02-12.13	■	
1.8 TDCi (RWPA)	01/12-	Diesel	FWD	1753	81	110	08.06-12.13	■	
1.8 TDCi (RWPB)	01/12-	Diesel	FWD	1753	81	110	08.06-12.13	■	
1.8 TDCi (RWPC)	01/12-	Diesel	FWD	1753	81	110	08.06-12.13	■	
1.8 TDCi (RWPD)	01/12-	Diesel	FWD	1753	81	110	08.06-12.13	■	
<b>TRANSIT CONNECT (P65_, P70_, P80_) 06.02-</b>							<b>Box Body/MPV (LCVs-N1 Segment)</b>		
1.8 16V (EYPA)	01/12-	Gasolina	FWD	1796	85	116	06.02-12.13	■	
1.8 16V (EYPC)	01/12-	Gasolina	FWD	1796	85	116	06.02-12.13	■	
1.8 16V (EYPD)	01/12-	Gasolina	FWD	1796	85	116	06.02-12.13	■	
1.8 16V LPG (EYPA)	01/12-	Gasol./Gas (LPG)	FWD	1796	85	116	06.02-12.13	■	
1.8 16V LPG (EYPC)	01/12-	Gasol./Gas (LPG)	FWD	1796	85	116	06.02-12.13	■	
1.8 16V LPG (EYPD)	01/12-	Gasol./Gas (LPG)	FWD	1796	85	116	06.02-12.13	■	
1.8 DI (BHPA)	01/12-	Diesel	FWD	1753	55	75	06.02-12.13	■	
1.8 DI (P7PA)	01/12-	Diesel	FWD	1753	55	75	06.02-12.13	■	
1.8 DI (P7PB)	01/12-	Diesel	FWD	1753	55	75	06.02-12.13	■	
1.8 DI (R2PA)	01/12-	Diesel	FWD	1753	55	75	06.02-12.13	■	
1.8 TDCi (HCPA)	01/12-	Diesel	FWD	1753	66	90	06.02-12.13	■	
1.8 TDCi (HCPB)	01/12-	Diesel	FWD	1753	66	90	06.02-12.13	■	
1.8 TDCi (HCPC)	01/12-	Diesel	FWD	1753	66	90	06.02-12.13	■	
1.8 TDCi (HCPD)	01/12-	Diesel	FWD	1753	66	90	06.02-12.13	■	
1.8 TDCi (P9PA)	01/12-	Diesel	FWD	1753	66	90	06.02-12.13	■	
1.8 TDCi (P9PB)	01/12-	Diesel	FWD	1753	66	90	06.02-12.13	■	

# LISTA DE APLICACIONES - BUYERS GUIDE

1.8 TDCi (P9PC)	01/12-	Diesel	FWD	1753	66	90	06.02-12.13	■	
1.8 TDCi (P9PD)	01/12-	Diesel	FWD	1753	66	90	06.02-12.13	■	
1.8 TDCi (R3PA)	01/12-	Diesel	FWD	1753	66	90	06.02-12.13	■	
1.8 TDCi (RWPE)	01/12-	Diesel	FWD	1753	66	90	06.02-12.13	■	
1.8 TDCi (RWPF)	01/12-	Diesel	FWD	1753	66	90	06.02-12.13	■	
1.8 TDCi (RWPA)		Diesel	FWD	1753	81	110	08.06-12.13	■	
1.8 TDCi (RWPB)		Diesel	FWD	1753	81	110	08.06-12.13	■	
1.8 TDCi (RWPC)		Diesel	FWD	1753	81	110	08.06-12.13	■	
1.8 TDCi (RWPD)		Diesel	FWD	1753	81	110	08.06-12.13	■	
<b>HAIMA (FAW)</b>									
<b>FAMILY F5 05.18-</b>						<b>Saloon ()</b>			
1.6 (HM474Q-C)		Gasolina	FWD	1591	92	125	05.18-	■	
<b>HOLDEN</b>									
<b>VECTRA (ZC) 04.02-12.06</b>						<b>Hatchback (Large family car-D Segment)</b>			
2.2 i	01/04-	Gasolina	FWD	2198	108	147	04.02-12.06	■	
3.2 i	01/04-	Gasolina	FWD	3175	155	211	08.02-12.06	■	
<b>VECTRA (ZC) 04.02-12.06</b>						<b>Saloon (Large family car-D Segment)</b>			
2.2 i	01/04-	Gasolina	FWD	2198	108	147	04.02-12.06	■	
3.2 i	01/04-	Gasolina	FWD	3175	155	211	08.02-12.06	■	
<b>JAGUAR</b>									
<b>S-TYPE II (X200) 10.98-12.08</b>						<b>Saloon (Executive car-E Segment)</b>			
3.0 V6 (AJ-V6)	01/07-, ch- N52048, discØ 300,	Gasolina	RWD	2967	175	238	01.99-10.07	■	
3.0 V6 (FB)	01/07-, ch- N52048, discØ 300,	Gasolina	RWD	2967	175	238	01.99-10.07	■	
4.2 V8 (AJ8FT)	01/07-	Gasolina	RWD	4196	219	298	04.02-10.07	■	
2.7 D (AJD)	01/07-	Diesel	RWD	2720	152	207	06.04-10.07	■	
<b>XF (X250) 03.08-04.15</b>						<b>Saloon (Luxury car-F Segment)</b>			
2.0 (204PT)	ch- S61362, Syst. STANDARD	Gasolina	RWD	1999	177	241	06.12-04.15	■	
3.0 (AJ6WG)		Gasolina	RWD	2967	175	238	03.08-04.15	■	
3.0		Gasolina	FWD	2967	179	243	03.08-04.15	■	
3.0 (306PS)		Gasolina	RWD	2995	250	340	03.12-04.15	■	
3.0 AWD (306PS)		Gasolina	4WD	2995	250	340	10.12-04.15	■	
4.2 (SV82G)		Gasolina	RWD	4196	219	298	03.08-04.15	■	
4.2 Supercharged (SV8TS)	-12/10	Gasolina	RWD	4196	306	416	03.08-04.15	■	
5.0 (508PN)		Gasolina	RWD	5000	283	385	03.09-04.15	■	
5.0 Supercharged (508PS)	-12/10	Gasolina	RWD	5000	375	510	03.09-04.15	■	
2.2 D (224DT)		Diesel	RWD	2179	120	163	04.11-04.15	■	
2.2 D (224DT)		Diesel	RWD	2179	140	190	05.11-04.15	■	
2.2 D (224DT)		Diesel	RWD	2179	147	200	03.12-04.15	■	
2.7 D (AJD)		Diesel	RWD	2720	152	207	03.08-04.15	■	
3.0 D (AJV6D)		Diesel	RWD	2993	155	211	03.09-04.15	■	
3.0 D (306DT)		Diesel	RWD	2993	177	241	03.09-04.15	■	
3.0 D (AJV6D)		Diesel	RWD	2993	177	241	03.09-04.15	■	
3.0 D		Diesel	RWD	2993	177	241	03.12-	■	
3.0 D (306DT)		Diesel	RWD	2993	202	275	03.09-04.15	■	
3.0 D (AJV6D)		Diesel	RWD	2993	202	275	03.09-04.15	■	
<b>XF II SPORTBRAKE (X250) 09.12-12.15</b>						<b>Estate (Luxury car-F Segment)</b>			
2.0 T (204PT)	ch- S61362, Syst. STANDARD	Gasolina	RWD	1999	177	240	08.13-12.15	■	

# LISTA DE APLICACIONES - BUYERS GUIDE

2.2 D (224DT)		Diesel	RWD	2179	120	163	09.12-04.14	■	
2.2 D (224DT)		Diesel	RWD	2179	147	200	09.12-04.14	■	
3.0 D (306DT)		Diesel	RWD	2993	177	241	09.12-04.14	■	
3.0 D (AJV6D)		Diesel	RWD	2993	177	241	09.12-04.14	■	
3.0 D (306DT)		Diesel	RWD	2993	202	275	09.12-04.14	■	
3.0 D (AJV6D)		Diesel	RWD	2993	202	275	09.12-04.14	■	
<b>XJ (X350, X358) 03.03-03.09</b>					<b>Saloon (Luxury car-F Segment)</b>				
2.0 Ti4 (204PT)	-ch V39426	Gasolina	RWD	1999	177	241	05.12-12.19	■	
3.0 (AJ-V6)	01/07-	Gasolina	RWD	2967	175	238	05.03-03.09	■	
3.0 V6 (AJ-V6)	01/12-, -ch V39426	Gasolina	RWD	2967	175	238	01.11-12.19	■	
3.0 (AJ-V6)		Gasolina	RWD	2967	179	243	04.04-01.07	■	
3.0 SCV6 (306PS)	-ch V39426	Gasolina	RWD	2995	250	340	03.12-12.19	■	
3.0 SCV6 AWD (306PS)		Gasolina	4WD	2995	250	340	10.12-12.19	■	
4.2 (AJ8FT)	01/07-	Gasolina	RWD	4196	219	298	05.03-03.09	■	
4.2 (AJ8FR)		Gasolina	RWD	4196	224	305	05.07-03.09	■	
5.0 V8 (508PN)		Gasolina	RWD	5000	283	385	10.09-12.19	■	
D 2.7 (AJD)	01/07-, ch- G49701	Diesel	RWD	2720	152	207	10.05-03.09	■	
3.0 SDV6 (306DT)	01/12-, -ch V39426	Diesel	RWD	2993	202	275	10.09-04.16	■	
3.0 SDV6 (306DT)	-ch V39426	Diesel	RWD	2993	221	300	04.15-12.19	■	
<b>XK II (X150) 03.06-07.14</b>					<b>Convertible (Grand Tourer-S Segment)</b>				
3.6 (RG (AJ-V8))		Gasolina	RWD	3555	190	258	10.07-07.14	■	
4.2 XK8 (AJ8FT)		Gasolina	RWD	4196	219	298	03.06-07.14	■	
4.2 XK (AJ8FT)		Gasolina	RWD	4196	224	305	02.08-07.14	■	
4.2		Gasolina	RWD	4196	291	396	09.07-12.09	■	
4.2 XKR (SV8TS)	discØ 326	Gasolina	RWD	4196	306	416	03.06-07.14	■	
4.2 XKR (SV8TS)	discØ 326	Gasolina	RWD	4196	313	426	08.06-07.14	■	
5.0 V8 (508PN)		Gasolina	RWD	5000	283	385	01.09-07.14	■	
5.0 XKR (508PS)		Gasolina	RWD	5000	375	510	01.09-07.14	■	
<b>XK II (X150) 03.06-12.14</b>					<b>Coupe (Grand Tourer-S Segment)</b>				
3.6 (RG (AJ-V8))		Gasolina	RWD	3555	190	258	07.07-07.14	■	
4.2 XK8 (AJ8FT)		Gasolina	RWD	4196	219	298	03.06-07.14	■	
4.2 XK (AJ8FT)		Gasolina	RWD	4196	224	305	02.08-07.14	■	
4.2 XKR (AJ8FT)		Gasolina	RWD	4196	291	396	03.06-07.14	■	
4.2 XKR (SV8TS)	discØ 326	Gasolina	RWD	4196	306	416	03.06-07.14	■	
4.2 XKR (SV8TS)	discØ 326	Gasolina	RWD	4196	313	426	08.06-07.14	■	
5.0 V8 (508PN)		Gasolina	RWD	5000	283	385	01.09-07.14	■	
5.0 XKR (508PS)		Gasolina	RWD	5000	375	510	01.09-07.14	■	
5.0 XKR (508PS)		Gasolina	RWD	5000	390	530	09.10-07.14	■	
<b>NISSAN</b>									
<b>LAFESTA (B35) 06.11-</b>					<b>MPV (Compact MPV-M1 Segment)</b>				
2.0 (CWFFWN)		Gasolina	FWD	1997	111	151	06.11-	■	
2.0 (CWEAWN)		Gasolina	FWD	1998	102	139	06.11-	■	
2.0 (CWEFWN)		Gasolina	FWD	1999	110	150	06.11-	■	
<b>OPEL</b>									
<b>GT II (M07) 06.07-</b>					<b>Convertible (Sports car-S Segment)</b>				
2.0 (G67) (Z 20 NHH)		Gasolina	RWD	1998	194	264	06.07-12.11	■	
<b>SIGNUM (Z03) 05.03-</b>					<b>Hatchback (Large family car-D Segment)</b>				
1.8 (F48) (Z 18 XE)	01/04-	Gasolina	FWD	1796	90	122	05.03-07.05	■	
1.8 (F48) (Z 18 XER)	01/06-	Gasolina	FWD	1796	103	140	09.05-12.08	■	

# LISTA DE APLICACIONES - BUYERS GUIDE

2.0 Turbo (F48) (Z 20 NET)	01/04-	Gasolina	FWD	1998	129	175	05.03-12.08	■
2.2 direct (F48) (Z 22 YH)	01/04-	Gasolina	FWD	2198	114	155	05.03-09.08	■
2.8 V6 Turbo (F48) (Z 28 NEL)		Gasolina	FWD	2792	169	230	09.05-12.08	■
2.8 V6 Turbo (F48) (Z 28 NET)		Gasolina	FWD	2792	184	250	01.06-12.08	■
2.8	-12/08	Gasolina	FWD	2792	206	280	10.06-	■
3.2 V6 (F48) (Z 32 SE)	01/04-	Gasolina	FWD	3175	155	211	05.03-07.05	■
1.9 CDTI (F48) (Z 19 DTL)		Diesel	FWD	1910	74	100	08.05-02.08	■
1.9 CDTI (F48) (Z 19 DT)		Diesel	FWD	1910	88	120	04.04-02.08	■
1.9 CDTI (F48) (Z 19 DTH)		Diesel	FWD	1910	110	150	04.04-02.08	■
2.0 DTI (F48) (Y 20 DTH)	01/04-	Diesel	FWD	1995	74	100	05.03-04.04	■
2.2 DTI (F48) (Y 22 DTR)	01/04-	Diesel	FWD	2172	92	125	05.03-04.04	■
3.0 V6 CDTI (F48) (Y 30 DT)	01/04-	Diesel	FWD	2958	130	177	05.03-07.05	■
3.0 V6 CDTI (F48) (Z 30 DT)		Diesel	FWD	2958	135	184	09.05-12.08	■
<b>VECTRA C (Z02) 10.03-</b>				<b>Estate (Large family car-D Segment)</b>				
1.6 16V (F35) (Z 16 XE)	01/05-	Gasolina	FWD	1598	74	100	06.04-09.05	■
1.6 (F35) (Z 16 XEP)		Gasolina	FWD	1598	77	105	12.05-08.08	■
1.8 (F35) (Z 18 XE)	01/04-	Gasolina	FWD	1796	90	122	10.03-09.06	■
1.8 (F35) (Z 18 XER)		Gasolina	FWD	1796	103	140	08.05-08.08	■
2.0 Turbo (F35) (Z 20 NET)	01/04-	Gasolina	FWD	1998	129	175	10.03-08.08	■
2.2 direct (F35) (Z 22 YH)	01/04-	Gasolina	FWD	2198	114	155	10.03-08.08	■
2.8 V6 Turbo (F35) (Z 28 NEL)		Gasolina	FWD	2792	169	230	08.05-10.08	■
2.8 V6 Turbo (F35) (Z 28 NET)		Gasolina	FWD	2792	184	250	08.05-08.08	■
2.8 V6 Turbo (F35) (Z 28 NET)		Gasolina	FWD	2792	188	255	08.05-09.08	■
2.8 V6 Turbo (F35) (Z 28 NET)		Gasolina	FWD	2792	206	280	07.06-08.08	■
3.2 V6 (F35) (Z 32 SE)	01/04-	Gasolina	FWD	3175	155	211	10.03-07.05	■
1.9 CDTI (F35) (Z 19 DTL)		Diesel	FWD	1910	74	100	06.05-08.08	■
1.9 CDTI (F35) (Z 19 DT)	-12/08	Diesel	FWD	1910	88	120	04.04-01.09	■
1.9 CDTI (F35) (Z 19 DTH)		Diesel	FWD	1910	110	150	04.04-08.08	■
2.0 DTI (F35) (Y 20 DTH)	01/04-	Diesel	FWD	1995	74	100	10.03-08.05	■
2.2 DTI (F35) (Y 22 DTR)	01/04-	Diesel	FWD	2172	92	125	10.03-12.05	■
3.0 V6 CDTI (F35) (Y 30 DT)	01/04-	Diesel	FWD	2958	130	177	10.03-07.05	■
3.0 V6 CDTI (F35) (Z 30 DT)		Diesel	FWD	2958	135	184	08.05-08.08	■
<b>VECTRA C (Z02) 08.02-</b>				<b>Hatchback (Large family car-D Segment)</b>				
1.6 (F68) (Z 16 XE)		Gasolina	FWD	1598	74	100	08.05-08.08	■
1.6 (F68) (Z 16 XEP)		Gasolina	FWD	1598	77	105	01.06-08.08	■
1.8 16V (F68) (Z 18 XEL)		Gasolina	FWD	1796	81	110	08.02-12.06	■
1.8 16V (F68) (Z 18 XE)	01/04-	Gasolina	FWD	1796	90	122	08.02-09.08	■
1.8 (F68) (Z 18 XER)		Gasolina	FWD	1796	103	140	08.05-08.08	■
2.0 16V Turbo (F68) (Z 20 NET)	01/04-	Gasolina	FWD	1998	129	175	03.03-08.08	■
2.2 16V (F68) (Z 22 SE)	01/04-	Gasolina	FWD	2198	108	147	08.02-08.08	■
2.2 DGi (F68) (Z 22 YH)	01/04-	Gasolina	FWD	2198	114	155	10.03-08.08	■
2.8 V6 Turbo (F68) (Z 28 NEL)		Gasolina	FWD	2792	169	230	08.05-08.08	■
2.8 V6 Turbo (F68) (Z 28 NET)		Gasolina	FWD	2792	184	250	08.05-08.08	■
2.8 V6 Turbo (F68) (Z 28 NET)		Gasolina	FWD	2792	188	255	08.05-09.08	■
2.8 V6 Turbo (F68) (Z 28 NET)		Gasolina	FWD	2792	206	280	08.06-08.08	■
3.2 V6 (F68) (Z 32 SE)	01/04-	Gasolina	FWD	3175	155	211	08.02-07.06	■
1.9 CDTI (F68) (Z 19 DTL)		Diesel	FWD	1910	74	100	06.05-08.08	■
1.9 CDTI (F68) (Z 19 DT)	-12/08	Diesel	FWD	1910	88	120	04.04-01.09	■
1.9 CDTI (F68) (Z 19 DTH)		Diesel	FWD	1910	110	150	04.04-08.08	■
2.0 DTI 16V (F68) (Y 20 DTH)	01/04-	Diesel	FWD	1995	74	101	08.02-08.05	■

# LISTA DE APLICACIONES - BUYERS GUIDE

2.2 DTI 16V (F68) (Y 22 DTR)		Diesel	FWD	2172	86	117	08.02-06.08	■	
2.2 DTI 16V (F68) (Y 22 DTR)	01/04-	Diesel	FWD	2172	92	125	08.02-07.06	■	
3.0 CDTI (F68) (Y 30 DT)	01/04-	Diesel	FWD	2958	130	177	06.03-07.05	■	
3.0 CDTI (F68) (Z 30 DT)		Diesel	FWD	2958	135	184	08.05-08.08	■	
<b>VECTRA C (Z02) 04.02-</b>							<b>Saloon (Large family car-D Segment)</b>		
1.6 16V (F69) (Z 16 XE)		Gasolina	FWD	1598	74	100	04.02-10.05	■	
1.6 (F69) (Z 16 XEP)		Gasolina	FWD	1598	77	105	08.05-08.08	■	
1.8 (F69) (Z 18 XEL)	01/04-	Gasolina	FWD	1796	81	110	04.02-07.08	■	
1.8 16V (Z 18 XE)	01/04-	Gasolina	FWD	1796	90	122	04.02-09.08	■	
1.8 (F69) (Z 18 XER)		Gasolina	FWD	1796	103	140	08.05-08.08	■	
2.0 16V Turbo (F69) (Z 20 NET)	01/04-	Gasolina	FWD	1998	129	175	03.03-08.08	■	
2.2 16V (F69) (Z 22 SE)	01/04-	Gasolina	FWD	2198	108	147	04.02-12.08	■	
2.2 DGi (F69) (Z 22 YH)	01/04-	Gasolina	FWD	2198	114	155	10.03-08.08	■	
2.8 V6 Turbo (F69) (Z 28 NEL)		Gasolina	FWD	2792	169	230	08.05-10.06	■	
2.8 V6 Turbo (F69) (Z 28 NET)		Gasolina	FWD	2792	184	250	08.05-08.08	■	
2.8 V6 Turbo (F69) (Z 28 NET)		Gasolina	FWD	2792	188	255	08.05-09.06	■	
2.8 V6 Turbo OPC (F69) (Z 28 NET)		Gasolina	FWD	2792	206	280	09.06-08.08	■	
3.2 V6 (F69) (Z 32 SE)	01/04-	Gasolina	FWD	3175	155	211	08.02-07.06	■	
1.9 CDTI (F69) (Z 19 DTL)		Diesel	FWD	1910	74	100	10.05-08.08	■	
1.9 CDTI (F69) (Z 19 DT)	-12/08	Diesel	FWD	1910	88	120	04.04-01.09	■	
1.9 CDTI (F69) (Z 19 DTH)		Diesel	FWD	1910	110	150	04.04-08.08	■	
2.0 DTI 16V (F69) (Y 20 DTH)	01/04-	Diesel	FWD	1995	74	101	04.02-08.06	■	
2.2 DTI 16V (F69) (Y 22 DTR)		Diesel	FWD	2172	86	117	04.02-12.04	■	
2.2 DTI 16V (F69) (Y 22 DTR)	01/04-	Diesel	FWD	2172	92	125	04.02-07.04	■	
3.0 CDTI (F69) (Y 30 DT)	01/04-	Diesel	FWD	2958	130	177	02.03-07.05	■	
3.0 CDTI (F69) (Z 30 DT)		Diesel	FWD	2958	135	184	08.05-08.08	■	
<b>PONTIAC</b>									
<b>SOLSTICE (U.S.A.) 03.05-12.09</b>							<b>Convertible (Compact executive car-D Segment)</b>		
2.4 VVTi (LE5)		Gasolina	RWD	2384	132	179	03.05-12.09	■	
<b>RENAULT</b>									
<b>ESPACE IV (JK0/1_) 11.02-</b>							<b>MPV (Large MPV-M1 Segment)</b>		
2.0 (JK09) (F4R 792)	01/06-	Gasolina	FWD	1998	100	136	11.02-01.15	■	
2.0 Turbo (JK0A, JK0B, JK0N) (F4R 794)	01/06-	Gasolina	FWD	1998	120	163	11.02-02.06	■	
2.0 Turbo (JK0A, JK0B, JK0N) (F4R 795)	01/06-	Gasolina	FWD	1998	120	163	11.02-02.06	■	
2.0 Turbo (JK0A, JK0B, JK0N) (F4R 796)	01/06-	Gasolina	FWD	1998	120	163	11.02-02.06	■	
2.0 Turbo (JK0A, JK0B, JK0N) (F4R 797)	01/06-	Gasolina	FWD	1998	120	163	11.02-02.06	■	
2.0 (JK0A, JK1D, JK0N) (F4R 796)	01/06-	Gasolina	FWD	1998	125	170	04.05-12.15	■	
2.0 (JK0A, JK1D, JK0N) (F4R 797)	01/06-	Gasolina	FWD	1998	125	170	04.05-12.15	■	
2.0 (JK0A, JK1D, JK0N) (F4R 896)	01/06-	Gasolina	FWD	1998	125	170	04.05-12.15	■	
2.0 (JK0A, JK1D, JK0N) (F4R 897)	01/06-	Gasolina	FWD	1998	125	170	04.05-12.15	■	
3.5 V6 (JK00, JK0F, JK0P, JK0S, JK0W) (V4Y 711)	01/06-	Gasolina	FWD	3498	177	241	11.02-12.15	■	
3.5 V6 (JK00, JK0F, JK0P, JK0S, JK0W) (V4Y 715)	01/06-	Gasolina	FWD	3498	177	241	11.02-12.15	■	
1.9 dCi (JK0U, JK0G) (F9Q 680)	01/06-	Diesel	FWD	1870	88	120	11.02-01.15	■	
1.9 dCi (JK0U, JK0G) (F9Q 820)	01/06-	Diesel	FWD	1870	88	120	11.02-01.15	■	
1.9 dCi (JK0U, JK0G) (F9Q 826)	01/06-	Diesel	FWD	1870	88	120	11.02-01.15	■	
2.0 dCi (JK02, JK03) (M9R 740)		Diesel	FWD	1995	96	131	01.06-12.15	■	
2.0 dCi (JK02, JK03) (M9R 750)		Diesel	FWD	1995	96	131	01.06-12.15	■	
2.0 dCi (JK02, JK03) (M9R 760)		Diesel	FWD	1995	96	131	01.06-12.15	■	
2.0 dCi (JK02, JK03) (M9R 761)		Diesel	FWD	1995	96	131	01.06-12.15	■	

## LISTA DE APLICACIONES - BUYERS GUIDE

2.0 dCi (JK02, JK03) (M9R 762)		Diesel	FWD	1995	96	131	01.06-12.15	■
2.0 dCi (JK02, JK03) (M9R 763)		Diesel	FWD	1995	96	131	01.06-12.15	■
2.0 dCi (JK01, JK02, JK1J, JK1K, JK1H) (M9R 740)		Diesel	FWD	1995	110	150	01.06-12.15	■
2.0 dCi (JK01, JK02, JK1J, JK1K, JK1H) (M9R 750)		Diesel	FWD	1995	110	150	01.06-12.15	■
2.0 dCi (JK01, JK02, JK1J, JK1K, JK1H) (M9R 814)		Diesel	FWD	1995	110	150	01.06-12.15	■
2.0 dCi (JK01, JK02, JK1J, JK1K, JK1H) (M9R 815)		Diesel	FWD	1995	110	150	01.06-12.15	■
2.0 dCi (JK01, JK02, JK1J, JK1K, JK1H) (M9R 858)		Diesel	FWD	1995	110	150	01.06-12.15	■
2.0 dCi (JK03, JK04, JK1C, JK1G, JK1J, JK1K) (M9R 760)		Diesel	FWD	1995	127	173	01.06-12.15	■
2.0 dCi (JK03, JK04, JK1C, JK1G, JK1J, JK1K) (M9R 761)		Diesel	FWD	1995	127	173	01.06-12.15	■
2.0 dCi (JK03, JK04, JK1C, JK1G, JK1J, JK1K) (M9R 762)		Diesel	FWD	1995	127	173	01.06-12.15	■
2.0 dCi (JK03, JK04, JK1C, JK1G, JK1J, JK1K) (M9R 763)		Diesel	FWD	1995	127	173	01.06-12.15	■
2.0 dCi (JK03, JK04, JK1C, JK1G, JK1J, JK1K) (M9R 812)		Diesel	FWD	1995	127	173	01.06-12.15	■
2.0 dCi (JK03, JK04, JK1C, JK1G, JK1J, JK1K) (M9R 815)		Diesel	FWD	1995	127	173	01.06-12.15	■
2.0 dCi (JK03, JK04, JK1C, JK1G, JK1J, JK1K) (M9R 859)		Diesel	FWD	1995	127	173	01.06-12.15	■
2.2 dCi (JK07) (G9T 645)		Diesel	FWD	2188	102	139	02.06-12.15	■
3.0 dCi (JK0J, JK0V) (P9X 701)	01/06-	Diesel	FWD	2958	130	177	11.02-08.06	■
3.0 dCi (JK0E, JK0Y) (P9X 715)		Diesel	FWD	2958	133	181	01.06-01.15	■
<b>LAGUNA III (DT0/1) 09.08-</b>				<b>Coupe (Large family car-D Segment)</b>				
2.0 16V Turbo (F4R 811)		Gasolina	FWD	1998	125	170	09.08-12.15	■
2.0 16V Turbo (F4RT 811)		Gasolina	FWD	1998	125	170	09.08-12.15	■
2.0 GT (F4R 800)		Gasolina	FWD	1998	150	204	09.08-12.15	■
3.5 V6 (DT0P) (V4Y 713)		Gasolina	FWD	3498	175	238	09.08-12.15	■
1.5 dCi (K9K 846)		Diesel	FWD	1461	81	110	03.12-12.15	■
2.0 dCi (DT01, DT08, DT09, DT0K, DT12, DT1C, DT1D, DT1M,...) (M9R 744)		Diesel	FWD	1995	110	150	09.08-12.15	■
2.0 dCi (DT01, DT08, DT09, DT0K, DT12, DT1C, DT1D, DT1M,...) (M9R 748)		Diesel	FWD	1995	110	150	09.08-12.15	■
2.0 dCi (DT01, DT08, DT09, DT0K, DT12, DT1C, DT1D, DT1M,...) (M9R 754)		Diesel	FWD	1995	110	150	09.08-12.15	■
2.0 dCi (DT01, DT08, DT09, DT0K, DT12, DT1C, DT1D, DT1M,...) (M9R 802)		Diesel	FWD	1995	110	150	09.08-12.15	■
2.0 dCi (DT01, DT08, DT09, DT0K, DT12, DT1C, DT1D, DT1M,...) (M9R 805)		Diesel	FWD	1995	110	150	09.08-12.15	■
2.0 dCi (DT01, DT08, DT09, DT0K, DT12, DT1C, DT1D, DT1M,...) (M9R 808)		Diesel	FWD	1995	110	150	09.08-12.15	■
2.0 dCi (DT01, DT08, DT09, DT0K, DT12, DT1C, DT1D, DT1M,...) (M9R 814)		Diesel	FWD	1995	110	150	09.08-12.15	■
2.0 dCi (DT01, DT08, DT09, DT0K, DT12, DT1C, DT1D, DT1M,...) (M9R 845)		Diesel	FWD	1995	110	150	09.08-12.15	■
2.0 dCi (DT01, DT08, DT09, DT0K, DT12, DT1C, DT1D, DT1M,...) (M9R 854)		Diesel	FWD	1995	110	150	09.08-12.15	■
2.0 dCi (DT01, DT08, DT09, DT0K, DT12, DT1C, DT1D, DT1M,...) (M9R 858)		Diesel	FWD	1995	110	150	09.08-12.15	■
2.0 dCi (DT0M, DT0N, DT0S, DT19, DT1F) (M9R 800)		Diesel	FWD	1995	127	173	09.08-12.15	■
2.0 dCi (DT0M, DT0N, DT0S, DT19, DT1F) (M9R 806)		Diesel	FWD	1995	127	173	09.08-12.15	■
2.0 dCi (DT0M, DT0N, DT0S, DT19, DT1F) (M9R 809)		Diesel	FWD	1995	127	173	09.08-12.15	■
2.0 dCi (DT0M, DT0N, DT0S, DT19, DT1F) (M9R 815)		Diesel	FWD	1995	127	173	09.08-12.15	■
2.0 dCi (DT0M, DT0N, DT0S, DT19, DT1F) (M9R 849)		Diesel	FWD	1995	127	173	09.08-12.15	■

## LISTA DE APLICACIONES - BUYERS GUIDE

2.0 dCi (DT0M, DT0N, DT0S, DT19, DT1F) (M9R 854)	Diesel	FWD	1995	127	173	09.08-12.15	■
2.0 dCi (DT0M, DT0N, DT0S, DT19, DT1F) (M9R 857)	Diesel	FWD	1995	127	173	09.08-12.15	■
2.0 dCi GT (DT11, DT1E, DT1N) (M9R 816)	Diesel	FWD	1995	131	178	09.08-12.15	■
2.0 dCi GT (DT11, DT1E, DT1N) (M9R 820)	Diesel	FWD	1995	131	178	09.08-12.15	■
2.0 dCi GT (DT11, DT1E, DT1N) (M9R 828)	Diesel	FWD	1995	131	178	09.08-12.15	■
3.0 dCi (DT03) (V9X 791)	Diesel	FWD	2998	173	235	09.08-12.15	■
3.0 dCi (DT03) (V9X 891)	Diesel	FWD	2998	173	235	09.08-12.15	■
3.0 dCi (V9X 891)	Diesel	FWD	2998	177	241	01.12-12.15	■
<b>LAGUNA III (BT0/1) 10.07-</b>						<b>Hatchback (Large family car-D Segment)</b>	
1.6 16V (BT04, BT0D, BT0U) (K4M 824)	Gasolina	FWD	1598	81	110	10.07-12.15	■
2.0 16V (BT05, BT0F, BT0W) (M4R 704)	Gasolina	FWD	1998	103	140	10.07-12.12	■
2.0 16V Turbo (F4R 811)	Gasolina	FWD	1998	125	170	10.07-12.15	■
2.0 GT (F4R 800)	Gasolina	FWD	1998	150	204	03.08-12.15	■
3.5 V6 (BT0C, BT0P) (V4Y 713)	Gasolina	FWD	3498	175	238	04.08-12.15	■
2.0 16V Hi-Flex (BT1H, BT1G, BT1K) (M4R 726)	Gasol./Etanol	FWD	1997	103	140	10.07-12.15	■
1.5 dCi (BT00, BT0A, BT0T, BT1J) (K9K 780)	Diesel	FWD	1461	81	110	10.07-12.15	■
1.5 dCi (BT00, BT0A, BT0T, BT1J) (K9K 782)	Diesel	FWD	1461	81	110	10.07-12.15	■
2.0 dCi (BT07, BT0J, BT14, BT1A, BT1S) (M9R 742)	Diesel	FWD	1995	96	131	10.07-12.15	■
2.0 dCi (BT07, BT0J, BT14, BT1A, BT1S) (M9R 744)	Diesel	FWD	1995	96	131	10.07-12.15	■
2.0 dCi (BT07, BT0J, BT14, BT1A, BT1S) (M9R 802)	Diesel	FWD	1995	96	131	10.07-12.15	■
2.0 dCi (BT07, BT0J, BT14, BT1A, BT1S) (M9R 814)	Diesel	FWD	1995	96	131	10.07-12.15	■
2.0 dCi (BT07, BT0J, BT14, BT1A, BT1S) (M9R 854)	Diesel	FWD	1995	96	131	10.07-12.15	■
2.0 dCi (BT07, BT0J, BT14, BT1A, BT1S) (M9R 858)	Diesel	FWD	1995	96	131	10.07-12.15	■
2.0 dCi (BT01, BT08, BT09, BT0E, BT0K, BT12, BT1C, BT1D,...) (M9R 742)	Diesel	FWD	1995	110	150	10.07-12.15	■
2.0 dCi (BT01, BT08, BT09, BT0E, BT0K, BT12, BT1C, BT1D,...) (M9R 744)	Diesel	FWD	1995	110	150	10.07-12.15	■
2.0 dCi (BT01, BT08, BT09, BT0E, BT0K, BT12, BT1C, BT1D,...) (M9R 746)	Diesel	FWD	1995	110	150	10.07-12.15	■
2.0 dCi (BT01, BT08, BT09, BT0E, BT0K, BT12, BT1C, BT1D,...) (M9R 748)	Diesel	FWD	1995	110	150	10.07-12.15	■
2.0 dCi (BT01, BT08, BT09, BT0E, BT0K, BT12, BT1C, BT1D,...) (M9R 754)	Diesel	FWD	1995	110	150	10.07-12.15	■
2.0 dCi (BT01, BT08, BT09, BT0E, BT0K, BT12, BT1C, BT1D,...) (M9R 802)	Diesel	FWD	1995	110	150	10.07-12.15	■
2.0 dCi (BT01, BT08, BT09, BT0E, BT0K, BT12, BT1C, BT1D,...) (M9R 805)	Diesel	FWD	1995	110	150	10.07-12.15	■
2.0 dCi (BT01, BT08, BT09, BT0E, BT0K, BT12, BT1C, BT1D,...) (M9R 808)	Diesel	FWD	1995	110	150	10.07-12.15	■
2.0 dCi (BT01, BT08, BT09, BT0E, BT0K, BT12, BT1C, BT1D,...) (M9R 814)	Diesel	FWD	1995	110	150	10.07-12.15	■
2.0 dCi (BT01, BT08, BT09, BT0E, BT0K, BT12, BT1C, BT1D,...) (M9R 845)	Diesel	FWD	1995	110	150	10.07-12.15	■
2.0 dCi (BT01, BT08, BT09, BT0E, BT0K, BT12, BT1C, BT1D,...) (M9R 854)	Diesel	FWD	1995	110	150	10.07-12.15	■
2.0 dCi (BT01, BT08, BT09, BT0E, BT0K, BT12, BT1C, BT1D,...) (M9R 858)	Diesel	FWD	1995	110	150	10.07-12.15	■
2.0 dCi (BT0M, BT0N, BT0S, BT19, BT1F) (M9R 800)	Diesel	FWD	1995	127	173	01.08-12.15	■
2.0 dCi (BT0M, BT0N, BT0S, BT19, BT1F) (M9R 806)	Diesel	FWD	1995	127	173	01.08-12.15	■
2.0 dCi (BT0M, BT0N, BT0S, BT19, BT1F) (M9R 809)	Diesel	FWD	1995	127	173	01.08-12.15	■
2.0 dCi (BT0M, BT0N, BT0S, BT19, BT1F) (M9R 815)	Diesel	FWD	1995	127	173	01.08-12.15	■

## LISTA DE APLICACIONES - BUYERS GUIDE

2.0 dCi (BT0M, BT0N, BT0S, BT19, BT1F) (M9R 854)	Diesel	FWD	1995	127	173	01.08-12.15	■
2.0 dCi (BT0M, BT0N, BT0S, BT19, BT1F) (M9R 857)	Diesel	FWD	1995	127	173	01.08-12.15	■
2.0 dCi (BT0M, BT0N, BT0S, BT19, BT1F) (M9R 858)	Diesel	FWD	1995	127	173	01.08-12.15	■
2.0 dCi GT (BT11, BT1E, BT1N) (M9R 816)	Diesel	FWD	1995	131	178	03.08-12.15	■
2.0 dCi GT (BT11, BT1E, BT1N) (M9R 820)	Diesel	FWD	1995	131	178	03.08-12.15	■
2.0 dCi GT (BT11, BT1E, BT1N) (M9R 828)	Diesel	FWD	1995	131	178	03.08-12.15	■
3.0 dCi (BT03, BT13) (V9X 791)	Diesel	FWD	2998	173	235	09.08-12.15	■
3.0 dCi (BT03, BT13) (V9X 891)	Diesel	FWD	2998	173	235	09.08-12.15	■
<b>LAGUNA III Grandtour (KT0/1) 10.07-</b>	<b>Estate (Large family car-D Segment)</b>						
1.6 16V (KT0D) (K4M 824)	Gasolina	FWD	1598	81	110	10.07-12.15	■
2.0 16V (KT0F, KT0W) (M4R 704)	Gasolina	FWD	1998	103	140	10.07-12.15	■
2.0 16V Turbo (F4R 811)	Gasolina	FWD	1998	125	170	10.07-12.15	■
2.0 GT (F4R 800)	Gasolina	FWD	1998	150	204	03.08-12.15	■
3.5 V6 (KT0C, KT0P) (V4Y 713)	Gasolina	FWD	3498	175	238	04.08-12.15	■
2.0 16V Hi-Flex (KT1H, KT1G, KT1K) (M4R 704)	Gasol./Etanol	FWD	1997	103	140	10.07-12.15	■
2.0 16V Hi-Flex (KT1H, KT1G, KT1K) (M4R 726)	Gasol./Etanol	FWD	1997	103	140	10.07-12.15	■
1.5 dCi (KT0A, KT0R, KT02) (K9K 780)	Diesel	FWD	1461	81	110	10.07-12.15	■
1.5 dCi (KT0A, KT0R, KT02) (K9K 782)	Diesel	FWD	1461	81	110	10.07-12.15	■
1.5 dCi (KT0A, KT0R, KT02) (K9K 846)	Diesel	FWD	1461	81	110	10.07-12.15	■
2.0 dCi (KT07, KT0J, KT14, KT1A, KT1S) (M9R 742)	Diesel	FWD	1995	96	131	10.07-12.15	■
2.0 dCi (KT07, KT0J, KT14, KT1A, KT1S) (M9R 744)	Diesel	FWD	1995	96	131	10.07-12.15	■
2.0 dCi (KT07, KT0J, KT14, KT1A, KT1S) (M9R 802)	Diesel	FWD	1995	96	131	10.07-12.15	■
2.0 dCi (KT07, KT0J, KT14, KT1A, KT1S) (M9R 814)	Diesel	FWD	1995	96	131	10.07-12.15	■
2.0 dCi (KT07, KT0J, KT14, KT1A, KT1S) (M9R 854)	Diesel	FWD	1995	96	131	10.07-12.15	■
2.0 dCi (KT07, KT0J, KT14, KT1A, KT1S) (M9R 858)	Diesel	FWD	1995	96	131	10.07-12.15	■
2.0 dCi (KT01, KT08, KT09, KT0K, KT12, KT1D, KT1W) (M9R 742)	Diesel	FWD	1995	110	150	10.07-12.15	■
2.0 dCi (KT01, KT08, KT09, KT0K, KT12, KT1D, KT1W) (M9R 744)	Diesel	FWD	1995	110	150	10.07-12.15	■
2.0 dCi (KT01, KT08, KT09, KT0K, KT12, KT1D, KT1W) (M9R 802)	Diesel	FWD	1995	110	150	10.07-12.15	■
2.0 dCi (KT01, KT08, KT09, KT0K, KT12, KT1D, KT1W) (M9R 805)	Diesel	FWD	1995	110	150	10.07-12.15	■
2.0 dCi (KT01, KT08, KT09, KT0K, KT12, KT1D, KT1W) (M9R 808)	Diesel	FWD	1995	110	150	10.07-12.15	■
2.0 dCi (KT01, KT08, KT09, KT0K, KT12, KT1D, KT1W) (M9R 814)	Diesel	FWD	1995	110	150	10.07-12.15	■
2.0 dCi (KT01, KT08, KT09, KT0K, KT12, KT1D, KT1W) (M9R 845)	Diesel	FWD	1995	110	150	10.07-12.15	■
2.0 dCi (KT01, KT08, KT09, KT0K, KT12, KT1D, KT1W) (M9R 854)	Diesel	FWD	1995	110	150	10.07-12.15	■
2.0 dCi (KT01, KT08, KT09, KT0K, KT12, KT1D, KT1W) (M9R 858)	Diesel	FWD	1995	110	150	10.07-12.15	■
2.0 dCi (KT0M, KT0N, KT0S, KT19, KT1F) (M9R 800)	Diesel	FWD	1995	127	173	01.08-12.15	■
2.0 dCi (KT0M, KT0N, KT0S, KT19, KT1F) (M9R 806)	Diesel	FWD	1995	127	173	01.08-12.15	■
2.0 dCi (KT0M, KT0N, KT0S, KT19, KT1F) (M9R 809)	Diesel	FWD	1995	127	173	01.08-12.15	■
2.0 dCi (KT0M, KT0N, KT0S, KT19, KT1F) (M9R 815)	Diesel	FWD	1995	127	173	01.08-12.15	■
2.0 dCi (KT0M, KT0N, KT0S, KT19, KT1F) (M9R 849)	Diesel	FWD	1995	127	173	01.08-12.15	■

# LISTA DE APLICACIONES - BUYERS GUIDE

2.0 dCi (KT0M, KT0N, KT0S, KT19, KT1F) (M9R 854)		Diesel	FWD	1995	127	173	01.08-12.15	■	
2.0 dCi (KT0M, KT0N, KT0S, KT19, KT1F) (M9R 857)		Diesel	FWD	1995	127	173	01.08-12.15	■	
2.0 dCi (KT0M, KT0N, KT0S, KT19, KT1F) (M9R 858)		Diesel	FWD	1995	127	173	01.08-12.15	■	
2.0 dCi GT (KT11, KT1E, KT1N) (M9R 816)		Diesel	FWD	1995	131	178	03.08-12.15	■	
2.0 dCi GT (KT11, KT1E, KT1N) (M9R 820)		Diesel	FWD	1995	131	178	03.08-12.15	■	
2.0 dCi GT (KT11, KT1E, KT1N) (M9R 828)		Diesel	FWD	1995	131	178	03.08-12.15	■	
3.0 dCi (KT03, KT13) (V9X 791)		Diesel	FWD	2998	173	235	09.08-12.15	■	
3.0 dCi (KT03, KT13) (V9X 891)		Diesel	FWD	2998	173	235	09.08-12.15	■	
<b>MEGANE II (BM0/1_, CM0/1_) 07.01-10.12</b>							<b>Hatchback (Compact car-C Segment)</b>		
2.0 Renault Sport (F4R 774)	01/06-	Gasolina	FWD	1998	165	224	05.04-10.09	■	
2.0 Renault Sport (F4RT 774)	01/06-	Gasolina	FWD	1998	165	224	05.04-10.09	■	
2.0 (F4R 774)		Gasolina	FWD	1998	169	230	08.06-02.08	■	
<b>VEL SATIS (BJ0_) 06.02-</b>							<b>Hatchback (Executive car-E Segment)</b>		
2.0 Turbo (F4R 867)	01/06-	Gasolina	FWD	1998	108	147	04.05-08.09	■	
2.0 16V Turbo (BJ0K) (F4R 762)	01/06-	Gasolina	FWD	1998	120	163	06.02-08.09	■	
2.0 16V Turbo (BJ0K) (F4R 763)	01/06-	Gasolina	FWD	1998	120	163	06.02-08.09	■	
2.0 16V Turbo (F4R 766)	01/06-	Gasolina	FWD	1998	125	170	04.04-08.09	■	
2.0 16V Turbo (F4R 767)	01/06-	Gasolina	FWD	1998	125	170	04.04-08.09	■	
3.5 (BJ01) (V4Y 715)	01/06-	Gasolina	FWD	3498	170	231	10.04-08.09	■	
3.5 V6 (BJ0R, BJ0V, BJ0U) (V4Y 701)	01/06-	Gasolina	FWD	3498	177	241	06.02-08.09	■	
3.5 V6 (BJ0R, BJ0V, BJ0U) (V4Y 711)	01/06-	Gasolina	FWD	3498	177	241	06.02-08.09	■	
3.5 V6 (BJ0R, BJ0V, BJ0U) (V4Y 715)	01/06-	Gasolina	FWD	3498	177	241	06.02-08.09	■	
2.0 dCi (BJ03) (M9R 760)	01/06-	Diesel	FWD	1995	110	150	08.05-08.09	■	
2.0 dCi (BJ03, BJ0B) (M9R 760)		Diesel	FWD	1995	127	173	01.06-08.09	■	
2.0 dCi (BJ03, BJ0B) (M9R 762)		Diesel	FWD	1995	127	173	01.06-08.09	■	
2.0 dCi (BJ03, BJ0B) (M9R 763)		Diesel	FWD	1995	127	173	01.06-08.09	■	
2.2 dCi (BJ0M) (G9T 700)	01/06-	Diesel	FWD	2188	83	113	12.04-08.09	■	
2.2 dCi (BJ0M) (G9T 702)	01/06-	Diesel	FWD	2188	83	113	12.04-08.09	■	
2.2 dCi (BJ0H) (G9T 600)	01/06-	Diesel	FWD	2188	85	116	06.02-09.05	■	
2.2 dCi (BJ0H) (G9T 702)	01/06-	Diesel	FWD	2188	85	116	06.02-09.05	■	
2.2 dCi (BJ0E, BJ0F, BJ0G, BJ0H) (G9T 600)	01/06-	Diesel	FWD	2188	102	140	09.04-08.09	■	
2.2 dCi (BJ0E, BJ0F, BJ0G, BJ0H) (G9T 606)	01/06-	Diesel	FWD	2188	102	140	09.04-08.09	■	
2.2 dCi (BJ0E, BJ0F, BJ0G, BJ0H) (G9T 607)	01/06-	Diesel	FWD	2188	102	140	09.04-08.09	■	
2.2 dCi (BJ0E, BJ0F, BJ0G, BJ0H) (G9T 700)	01/06-	Diesel	FWD	2188	102	140	09.04-08.09	■	
2.2 dCi (BJ0E, BJ0F, BJ0G, BJ0H) (G9T 702)	01/06-	Diesel	FWD	2188	102	140	09.04-08.09	■	
2.2 dCi (BJ0E, BJ0F) (G9T 702)	01/06-	Diesel	FWD	2188	110	150	06.02-08.09	■	
2.2 dCi (BJ0E, BJ0F) (G9T 703)	01/06-	Diesel	FWD	2188	110	150	06.02-08.09	■	
3.0 dCi (BJ0J, BJ0N) (P9X 701)	01/06-	Diesel	FWD	2958	130	177	06.02-06.06	■	
3.0 dCi (BJ0S) (P9X 715)		Diesel	FWD	2958	133	181	06.06-08.09	■	
<b>SAAB</b>									
<b>9-3 II (YS3F) 08.03-02.15</b>							<b>Convertible (Compact executive car-D Segment)</b>		
1.8 i (Z 18 XE)		Gasolina	FWD	1796	90	122	01.04-02.15	■	
1,8t (B207E)	01/04-	Gasolina	FWD	1998	110	150	08.03-02.15	■	
2.0 T (B207G)		Gasolina	FWD	1998	120	163	01.11-02.15	■	
2.0 T (B207L)	01/04-	Gasolina	FWD	1998	129	175	08.03-02.15	■	
2.0 (B207L)		Gasolina	FWD	1998	143	194	04.06-09.07	■	
2.0 t Biopower		Gasolina	FWD	1998	145	197	06.07-	■	
2.0 T (B207R)	01/04-	Gasolina	FWD	1998	154	210	08.03-02.15	■	

# LISTA DE APLICACIONES - BUYERS GUIDE

2.0 T (A 20 NFT)		Gasolina	FWD	1998	162	220	01.11-02.15	■
2.0 Turbo Performance (B207R)		Gasolina	FWD	1998	185	252	04.04-02.15	■
2.8 Turbo V6 (LP9)		Gasolina	FWD	2792	169	230	02.06-02.15	■
2.8 Turbo V6 (LP9)		Gasolina	FWD	2792	184	250	02.06-02.15	■
2.8 Turbo V6 (B284L)		Gasolina	FWD	2792	188	256	12.07-02.15	■
2.8 Turbo V6 (B284R)		Gasolina	FWD	2792	203	276	02.09-02.15	■
2.8 Turbo V6 (B284R)		Gasolina	FWD	2792	206	280	02.09-02.15	■
1,8t BioPower (B207E)		Gasol./Etanol	FWD	1998	110	150	01.07-02.15	■
2.0 t Biopower (B207H)		Gasol./Etanol	FWD	1998	120	163	01.11-02.15	■
2.0 t Biopower (B207L)		Gasol./Etanol	FWD	1998	129	175	01.07-02.15	■
2.0 t Biopower (B207L)		Gasol./Etanol	FWD	1998	129	175	01.07-02.15	■
2.0 t Biopower		Gasol./Etanol	FWD	1998	145	197	06.07-02.15	■
2.0 t Biopower (B207M)		Gasol./Etanol	FWD	1998	147	200	06.07-02.15	■
2.0 t Biopower (A 20 NFT)		Gasol./Etanol	FWD	1998	162	220	01.11-02.15	■
1.9 TiD (Z 19 DT)		Diesel	FWD	1910	88	120	09.04-02.15	■
1.9 TTiD (A 19 DTR)		Diesel	FWD	1910	96	130	12.07-02.15	■
1.9 TiD (Z 19 DTH)		Diesel	FWD	1910	110	150	01.06-02.15	■
1.9 TTiD (A 19 DTR)		Diesel	FWD	1910	118	160	12.07-02.15	■
1.9 TTiD (A 19 DTR)		Diesel	FWD	1910	132	180	12.07-02.15	■
1.9 TTiD (Z 19 DTR)		Diesel	FWD	1910	132	180	12.07-02.15	■
<b>9-3 II (E50) 03.05-02.15</b>							<b>Estate (Compact executive car-D Segment)</b>	
1.8 i (Z 18 XE)		Gasolina	FWD	1796	90	122	03.05-02.15	■
1.8 T (B207E)		Gasolina	FWD	1998	110	150	03.05-02.15	■
1.8 T (B207E)		Gasolina	FWD	1998	110	150	03.05-02.15	■
2.0 T (B207E)		Gasolina	FWD	1998	110	150	03.05-02.15	■
2.0 T (B207G)		Gasolina	FWD	1998	120	163	01.07-02.15	■
2.0 t XWD (B207G)		Gasolina	4WD	1998	120	163	01.07-02.15	■
2.0 T (B207L)		Gasolina	FWD	1998	129	175	03.05-02.15	■
2.0		Gasolina	FWD	1998	143	194	04.06-09.07	■
2.0 T16 (B207L)		Gasolina	FWD	1998	143	194	04.06-02.15	■
2.0 T (B207M)		Gasolina	FWD	1998	147	200	02.09-02.15	■
2.0 T (B207R)		Gasolina	FWD	1998	154	209	03.05-02.15	■
2.0 t XWD (B207R)		Gasolina	4WD	1998	154	209	06.08-02.15	■
2.0 T (A 20 NFT)		Gasolina	FWD	1998	162	220	01.11-02.15	■
2.0 t XWD (A 20 NFT)		Gasolina	4WD	1998	162	220	01.11-02.15	■
2.0 T (B207R)		Gasolina	FWD	1998	177	241	05.09-02.15	■
2.0 t XWD (B207R)		Gasolina	4WD	1998	177	241	05.09-02.15	■
2.8 Turbo V6 (B284L)		Gasolina	FWD	2792	169	230	03.05-02.15	■
2.8 Turbo V6 (LP9)		Gasolina	FWD	2792	184	250	03.05-02.15	■
2.8 Turbo V6 (B284L)		Gasolina	FWD	2792	188	256	12.07-02.15	■
2.8 Turbo V6 (B284R)		Gasolina	FWD	2792	203	276	05.08-02.15	■
2.8 Turbo V6 XWD (B284R)		Gasolina	4WD	2792	206	280	05.08-12.11	■
2.0 t Biopower (B207E)		Gasol./Etanol	FWD	1998	110	150	01.07-02.15	■
2.0 t Biopower (B207H)		Gasol./Etanol	FWD	1998	120	163	01.11-02.15	■
2.0 t BioPower XWD (B207H)		Gasol./Etanol	4WD	1998	120	163	01.07-02.15	■
2.0 t Biopower (B207L)		Gasol./Etanol	FWD	1998	129	175	01.07-02.15	■

# LISTA DE APLICACIONES - BUYERS GUIDE

2.0 t Biopower (B207R)		Gasol./Etanol	FWD	1998	145	197	06.07-02.15	■	
2.0 t Biopower (B207M)		Gasol./Etanol	FWD	1998	147	200	02.09-02.15	■	
2.0 t BioPower XWD (B207R)		Gasol./Etanol	4WD	1998	154	209	06.08-02.15	■	
2.0 t Biopower (A 20 NFT)		Gasol./Etanol	FWD	1998	162	220	01.11-02.15	■	
2.0 t BioPower XWD (A 20 NFT)		Gasol./Etanol	4WD	1998	162	220	01.11-02.15	■	
1.9 TiD (Z 19 DT)		Diesel	FWD	1910	88	120	03.05-02.15	■	
1.9 TTiD (A 19 DTR)		Diesel	FWD	1910	96	130	12.07-02.15	■	
1.9 TiD (Z 19 DTH)		Diesel	FWD	1910	110	150	03.05-02.15	■	
1.9 TTiD (A 19 DTR)		Diesel	FWD	1910	118	160	12.07-02.15	■	
1.9 TTiD (Z 19 DTR)		Diesel	FWD	1910	132	180	12.07-02.15	■	
<b>9-3 II (YS3F, E79, D79, D75) 09.02-02.15</b>							<b>Saloon (Compact executive car-D Segment)</b>		
1.8 i (Z 18 XE)		Gasolina	FWD	1796	90	122	01.04-02.15	■	
1,8t (B207E)	01/04-	Gasolina	FWD	1998	110	150	09.02-02.15	■	
2.0 T (B207G)		Gasolina	FWD	1998	120	163	01.07-02.15	■	
2.0 t XWD (B207G)		Gasolina	4WD	1998	120	163	01.07-02.15	■	
2.0 T (B207L)	01/04-	Gasolina	FWD	1998	129	175	09.02-02.15	■	
2.0 T16		Gasolina	FWD	1998	143	194	06.06-02.15	■	
2.0 T (B207R)	01/04-	Gasolina	FWD	1998	154	210	09.02-02.15	■	
2.0 Turbo XWD (B207R)		Gasolina	4WD	1998	154	210	01.08-02.15	■	
2.0 T (A 20 NFT)		Gasolina	FWD	1998	162	220	01.11-02.15	■	
2.0 t XWD (A 20 NFT)		Gasolina	4WD	1998	162	220	01.08-02.15	■	
2.0 T (B207R)		Gasolina	FWD	1998	177	241	05.09-02.15	■	
2.0 t XWD (B207R)		Gasolina	4WD	1998	177	241	05.09-02.15	■	
2.0 Turbo Performance (B207R)		Gasolina	FWD	1998	185	252	04.04-02.15	■	
2.8 Turbo V6 (LP9)		Gasolina	FWD	2792	169	230	03.05-02.15	■	
2.8 Turbo V6 (LP9)		Gasolina	FWD	2792	184	250	03.05-02.15	■	
2.8 Turbo V6 (B284L)		Gasolina	FWD	2792	188	256	12.07-02.15	■	
2.8 Turbo V6 (B284L)		Gasolina	FWD	2792	203	276	04.08-02.15	■	
2.8 Turbo V6 XWD (B284R)		Gasolina	4WD	2792	206	280	05.08-12.11	■	
1,8t BioPower (B207E)		Gasol./Etanol	FWD	1998	110	150	01.07-02.15	■	
2.0 t Biopower (B207H)		Gasol./Etanol	FWD	1998	120	163	01.07-02.15	■	
2.0 t BioPower XWD (B207H)		Gasol./Etanol	4WD	1998	120	163	01.08-02.15	■	
1,8t BioPower (B207L)		Gasol./Etanol	FWD	1998	129	175	05.09-12.11	■	
2.0 t Biopower (B207L)		Gasol./Etanol	FWD	1998	129	175	01.07-02.15	■	
2.0 t Biopower (B207R)		Gasol./Etanol	FWD	1998	145	197	06.07-02.15	■	
2.0 t Biopower (B207M)		Gasol./Etanol	FWD	1998	147	200	05.09-02.15	■	
2.0 t Biopower (B207R)	01/04-	Gasol./Etanol	FWD	1998	154	210	09.02-02.15	■	
2.0 t BioPower XWD (B207R)		Gasol./Etanol	4WD	1998	154	210	01.08-02.15	■	
2.0 t Biopower (A 20 NFT)		Gasol./Etanol	FWD	1998	162	220	01.11-02.15	■	
2.0 t BioPower XWD (A 20 NFT)		Gasol./Etanol	4WD	1998	162	220	01.08-02.15	■	
1.9 TiD (Z 19 DT)		Diesel	FWD	1910	88	120	09.04-02.15	■	
1.9 TTiD (A 19 DTR)		Diesel	FWD	1910	96	130	12.07-02.15	■	
1.9 TiD (Z 19 DTH)		Diesel	FWD	1910	110	150	09.04-02.15	■	
1.9 TTiD (A 19 DTR)		Diesel	FWD	1910	118	160	12.07-02.15	■	

# LISTA DE APLICACIONES - BUYERS GUIDE

1.9 TTiD (A 19 DTR)		Diesel	FWD	1910	132	180	12.07-02.15	■	
1.9 TTiD (Z 19 DTR)		Diesel	FWD	1910	132	180	12.07-02.15	■	
2.2 TiD (D223L)	01/04-	Diesel	FWD	2171	92	125	09.02-02.15	■	
<b>9-3X (YS3) 02.09-02.15</b>							<b>Estate (Compact executive car-D Segment)</b>		
2.0 t XWD (B207R)		Gasolina	4WD	1998	154	209	02.09-02.15	■	
2.0 T16 XWD (A 20 NFT)		Gasolina	4WD	1998	162	220	01.11-02.15	■	
2.0 t BioPower XWD (B207R)		Gasol./Etanol	4WD	1998	154	209	02.09-12.12	■	
2.0 t BioPower XWD (A 20 NFT)		Gasol./Etanol	4WD	1998	162	220	01.11-12.12	■	
1.9 TTiD		Diesel	RWD	1910	96	131	01.10-	■	
1.9 TTiD AWD (A 19 DTR)		Diesel	4WD	1910	132	180	02.09-12.12	■	
1.9 TTiD AWD (Z 19 DTR)		Diesel	4WD	1910	132	180	02.09-12.12	■	
<b>VAUXHALL</b>									
<b>SIGNUM (Z03) 03.03-10.08</b>							<b>Hatchback (Large family car-D Segment)</b>		
1.8 (Z 18 XE)	01/04-	Gasolina	FWD	1796	90	122	06.03-07.05	■	
1.8 (Z 18 XER)	01/06-	Gasolina	FWD	1796	103	140	08.05-05.08	■	
2.0 i Turbo (Z 20 NET)	01/04-	Gasolina	FWD	1998	129	175	03.03-10.08	■	
2.2 i (Z 22 YH)	01/04-	Gasolina	FWD	2198	114	155	05.03-05.08	■	
2.8 V6 Turbo (Z 28 NEL)		Gasolina	FWD	2792	169	230	07.05-05.08	■	
2.8 V6 Turbo (Z 28 NET)		Gasolina	FWD	2792	184	250	05.07-10.08	■	
3.2 V6 (Z 32 SE)	01/04-	Gasolina	FWD	3175	155	211	05.03-05.08	■	
1.9 CDTI (Z 19 DT)		Diesel	FWD	1910	88	120	04.04-03.08	■	
1.9 CDTI 16V (Z 19 DTH)		Diesel	FWD	1910	110	150	04.04-03.08	■	
2.0 DTI (Y 20 DTH)	01/04-	Diesel	FWD	1994	74	100	05.03-04.04	■	
2.2 DTI (Y 22 DTR)	01/04-	Diesel	FWD	2172	92	125	05.03-05.08	■	
3.0 CDTi (Y 30 DT)	01/04-	Diesel	FWD	2958	130	177	05.03-05.08	■	
3.0 V6 CDTI (Z 30 DT)		Diesel	FWD	2959	135	184	07.05-06.08	■	
<b>VECTRA Mk II (C) (Z02) 10.03-05.09</b>							<b>Estate (Large family car-D Segment)</b>		
1.6 16V		Gasolina	FWD	1598	74	100	06.04-07.08	■	
1.8 16V (Z 18 XE)	01/04-	Gasolina	FWD	1796	90	122	10.03-08.05	■	
1.8 (Z 18 XER)		Gasolina	FWD	1796	103	140	01.06-07.08	■	
2.0 16V Turbo (Z 20 NET)	01/04-	Gasolina	FWD	1998	129	175	10.03-07.08	■	
2.2 direct (Z 22 YH)	01/04-	Gasolina	FWD	2198	114	155	10.03-07.08	■	
2.8 V6 Turbo (Z 28 NEL)		Gasolina	FWD	2792	169	230	08.05-05.09	■	
2.8 V6 Turbo (Z 28 NET)		Gasolina	FWD	2792	188	255	08.06-05.09	■	
2.8 V6 Turbo (Z 28 NET)		Gasolina	FWD	2792	206	280	10.06-05.09	■	
3.2 V6 (Z 32 SE)	01/04-	Gasolina	FWD	3175	155	211	10.03-08.05	■	
1.9 CDTI		Diesel	RWD	1910	74	100	10.05-07.08	■	
1.9 CDTI (Z 19 DT)		Diesel	FWD	1910	88	120	04.04-07.08	■	
1.9 CDTI 16V (Z 19 DTH)		Diesel	FWD	1910	110	150	04.04-05.09	■	
2.0 DTI 16V (Y 20 DTH)	01/04-	Diesel	FWD	1995	74	101	10.03-07.08	■	
2.2 DTI 16V (Y 22 DTR)	01/04-	Diesel	FWD	2172	92	125	10.03-07.08	■	
3.0 V6 CDTI (Y 30 DT)	01/04-	Diesel	FWD	2958	130	177	10.03-08.05	■	
3.0 CDTi (Z 30 DT)		Diesel	FWD	2958	135	184	08.05-07.08	■	
<b>VECTRA Mk II (C) (Z02) 01.00-10.08</b>							<b>Saloon (Large family car-D Segment)</b>		
1.6 16V		Gasolina	FWD	1598	74	100	06.04-07.08	■	
1.6		Gasolina	FWD	1598	77	105	01.06-07.08	■	
1.8	01/04-	Gasolina	FWD	1796	81	110	04.02-07.08	■	
1.8 16V (Z 18 XE)	01/04-	Gasolina	FWD	1796	90	122	04.02-07.08	■	

# LISTA DE APLICACIONES - BUYERS GUIDE

1.8 (Z 18 XER)		Gasolina	FWD	1796	103	140	01.06-07.08	■
2.0 16V Turbo (Z 20 NET)	01/04-	Gasolina	FWD	1998	129	175	01.00-10.08	■
2.2 16V (Z 22 SE)	01/04-	Gasolina	FWD	2198	108	147	01.02-10.08	■
2.2 direct (Z 22 YH)	01/04-	Gasolina	FWD	2198	114	155	01.02-10.08	■
2.8 V6 Turbo		Gasolina	FWD	2792	169	230	08.05-07.08	■
2.8 V6 Turbo		Gasolina	FWD	2792	184	250	08.06-07.08	■
2.8 V6 Turbo		Gasolina	FWD	2792	188	255	08.05-07.08	■
3.2 V6 (Z 32 SE)	01/04-	Gasolina	FWD	3175	155	211	06.03-07.08	■
1.8 16V Dualfuel (Z 18 XE)	01/04-	Gasol./Gas (LPG)	FWD	1796	90	122	04.02-07.08	■
1.9 CDTI		Diesel	RWD	1910	74	100	10.05-07.08	■
1.9 CDTI (Z 19 DT)	01/04-	Diesel	FWD	1910	88	120	04.02-09.08	■
1.9 CDTI 16V (Z 19 DTH)		Diesel	FWD	1910	110	150	04.04-08.08	■
2.0 DTI 16V (Y 20 DTH)	01/04-	Diesel	FWD	1995	74	101	04.02-10.08	■
2.2 DTI 16V (Y 22 DTR)	01/04-	Diesel	FWD	2172	92	125	04.02-10.08	■
3.0 V6 CDTI (Y 30 DT)	01/04-	Diesel	FWD	2958	130	177	06.03-08.05	■
3.0 CDTi (Z 30 DT)		Diesel	FWD	2958	135	184	08.05-07.08	■
<b>VECTRA Mk II (C) GTS (Z02) 08.02-05.09</b>						<b>Hatchback (Large family car-D Segment)</b>		
1.6 16V		Gasolina	FWD	1598	74	100	06.04-07.08	■
1.6		Gasolina	FWD	1598	77	105	01.06-07.08	■
1.8 16V (Z 18 XE)	01/04-	Gasolina	FWD	1796	90	122	08.02-07.08	■
1.8 (Z 18 XER)		Gasolina	FWD	1796	103	140	01.06-07.08	■
2.0 16V Turbo (Z 20 NET)	01/04-	Gasolina	FWD	1998	129	175	03.03-07.08	■
2.2 16V (Z 22 SE)	01/04-	Gasolina	FWD	2198	108	147	08.02-07.08	■
2.2 direct (Z 22 YH)	01/04-	Gasolina	FWD	2198	114	155	10.03-08.05	■
2.8 V6 Turbo (Z 28 NEL)		Gasolina	FWD	2792	169	230	08.05-05.09	■
2.8 V6 Turbo (Z 28 NET)		Gasolina	FWD	2792	184	250	02.06-05.09	■
2.8 V6 Turbo (Z 28 NET)		Gasolina	FWD	2792	188	255	08.05-08.06	■
2.8 V6 Turbo (Z 28 NET)		Gasolina	FWD	2792	206	280	10.06-05.09	■
3.2 V6 (Z 32 SE)	01/04-	Gasolina	FWD	3175	155	211	08.02-07.08	■
1.8 16V Dualfuel (Z 18 XE)	01/04-	Gasol./Gas (LPG)	FWD	1796	90	122	08.02-07.08	■
1.9 CDTI		Diesel	RWD	1910	74	100	10.05-07.08	■
1.9 CDTI (Z 19 DT)	01/04-	Diesel	FWD	1910	88	120	08.02-07.08	■
1.9 CDTI 16V (Z 19 DTH)		Diesel	FWD	1910	110	150	04.04-07.08	■
2.0 DTI 16V (Y 20 DTH)	01/04-	Diesel	FWD	1995	74	101	08.02-07.08	■
2.2 DTI 16V (Y 22 DTR)	01/04-	Diesel	FWD	2172	92	125	08.02-07.08	■
3.0 V6 CDTI (Y 30 DT)	01/04-	Diesel	FWD	2958	130	177	06.03-08.05	■
3.0 CDTi (Z 30 DT)		Diesel	FWD	2958	135	184	08.05-07.08	■