

# LISTA DE APLICACIONES - BUYERS GUIDE

## 181657-700

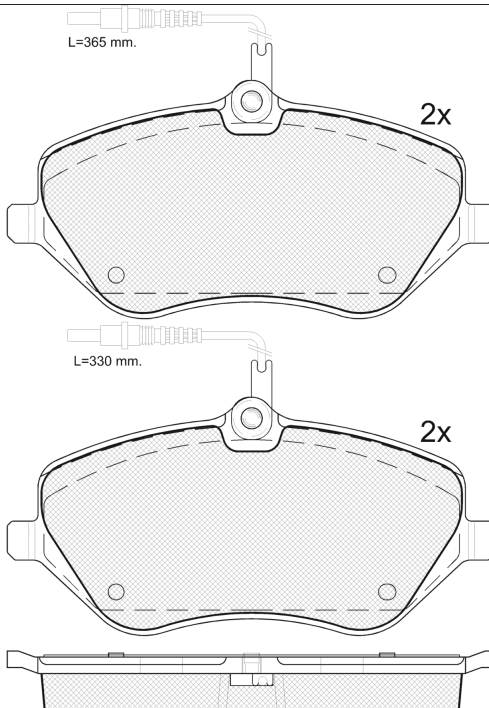


8 424073 090980

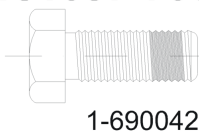
Qty: 300

Weight: 2.606

O.E.M.	MAKE
16 113 349 80	PEUGEOT
16 114 589 80	PEUGEOT
16 172 701 80	PEUGEOT
4252.78	PEUGEOT
4252.94	CITROËN
4253.36	PEUGEOT
4253.37	PEUGEOT
4253.48	PEUGEOT
4253.83	PEUGEOT
4254.10	PEUGEOT
4254.11	CITROËN
4254.80	CITROËN
4254.A0	CITROËN
4254.A3	CITROËN
86 60 004 762	RENAULT
86 71 016 742	RENAULT
E172155	CITROËN
E172237	CITROËN
E172314	CITROËN
E172569	CITROËN
E172596	PEUGEOT



## 181657-700



## 181657-700

**E 9** 90R-01111/1238



Trw

162.2x79.01x18.5

WVA	FMSI
24133	D1245-8362
24174	
25182	

MAKE
CITROËN
PEUGEOT



	Trac.	CC	Kw	CV			Front / Rear
--	-------	----	----	----	--	--	--------------

### CITROËN

<b>AX (ZA- ) 07.86-12.98</b>					<b>Hatchback (Supermini car-B Segment)</b>			
14 GT (KDZ (TU3M/Z))	Gasolina	FWD	1360	59	80	01.89-12.91	■	
<b>C5 II (RW_ ) 02.08-</b>					<b>Estate (Large family car-D Segment)</b>			
3.0	Gasolina	FWD	2946	152	207	02.08-	■	
3.0 V6 (RWXFVA, RWXFUA) (XFU (ES9A))	Gasolina	FWD	2946	155	211	02.08-12.10	■	
3.0 V6 (RWXFVA, RWXFUA) (XFV (ES9A))	Gasolina	FWD	2946	155	211	02.08-12.10	■	
2.2 HDi 165 (4HP (DW12BTED4))	Diesel	FWD	2179	120	163	02.08-08.09	■	
2.2 HDi (RW4HTH) (4HT (DW12BTED4))	Diesel	FWD	2179	125	170	02.08-12.11	■	
2.2 HDi 200 (4HL (DW12C))	Diesel	FWD	2179	150	204	07.10-06.15	■	
2.7 HDi (UHZ (DT17TED4))	Diesel	FWD	2720	150	204	02.08-10.09	■	
3.0 HDi 240 (RWX8CA) (DT20C)	Diesel	FWD	2992	177	241	04.09-10.14	■	
<b>C5 II (RD_ ) 02.08-</b>					<b>Saloon (Large family car-D Segment)</b>			
3.0	Gasolina	FWD	2946	152	207	02.08-	■	
3.0 V6 (RDXFVJ) (XFU (ES9A))	Gasolina	FWD	2946	155	211	02.08-12.10	■	
3.0 V6 (RDXFVJ) (XFV (ES9A))	Gasolina	FWD	2946	155	211	02.08-12.10	■	
2.2 HDi (RD4HTH, RD4HPH, RD4HRH, RD4HSH) (4HP (DW12BTED4))	Diesel	FWD	2179	120	163	04.09-12.11	■	
2.2 HDi (RD4HTH, RD4HPH, RD4HRH, RD4HSH) (4HR (DW12BTED4))	Diesel	FWD	2179	120	163	04.09-12.11	■	
2.2 HDi (RD4HTH) (4HT (DW12BTED4))	Diesel	FWD	2179	125	170	02.08-12.11	■	
2.2 HDi 200 (RD4HLA) (4HL (DW12C))	Diesel	FWD	2179	150	204	07.10-06.15	■	
2.7 HDi (RDUHZJ) (UHZ (DT17TED4))	Diesel	FWD	2720	150	204	02.08-12.09	■	
3.0 HDi 240 (RDX8CA) (DT20C)	Diesel	FWD	2992	177	241	04.09-10.14	■	

# LISTA DE APLICACIONES - BUYERS GUIDE

<b>C6 (TD_) 09.05-</b>					<b>Saloon (Executive car-E Segment)</b>			
3.0 V6 (XFV (ES9A))		Gasolina	FWD	2946	155	211	09.05-12.12	■
3.0 V6 (XFX (ES9J4S))		Gasolina	FWD	2946	155	211	09.05-12.12	■
2.2 HDi (4HP (DW12BTED4))		Diesel	FWD	2179	120	163	06.06-12.10	■
2.2 HDi (4HT (DW12BTED4))		Diesel	FWD	2179	125	170	06.06-12.12	■
2.7 HDi (UHZ (DT17TED4))		Diesel	FWD	2720	150	204	09.05-12.11	■
<b>PEUGEOT</b>								
<b>407 (6C_) 10.05-</b>					<b>Coupe (Large family car-D Segment)</b>			
2.2 16V (3FY (EW12J4))	-12/10	Gasolina	FWD	2230	120	163	10.05-	■
3.0 V6 (XFV (ES9A))	-12/10	Gasolina	FWD	2946	155	211	10.05-	■
2.0 HDi (RHR (DW10BTED4))		Diesel	FWD	1997	100	136	10.05-	■
2.0 HDi (RHH (DW10CTED4))	-12/10	Diesel	FWD	1997	120	163	06.09-	■
2.7 HDi (UHZ (DT17TED4))	-12/10	Diesel	FWD	2720	150	204	10.05-	■
3.0 HDi (DT20C)	-12/10	Diesel	FWD	2992	177	241	06.09-	■
<b>407 (6D_) 02.04-12.13</b>					<b>Saloon (Large family car-D Segment)</b>			
2.2 (6D3FZE, 6D3FZH) (3FZ (EW12J4))		Gasolina	FWD	2230	116	158	03.04-10.06	■
2.2 16V (6D3FYH, 6D3FYE) (3FY (EW12J4))		Gasolina	FWD	2230	120	163	08.05-12.10	■
3.0 (6DXFVJ) (XFV (ES9A))		Gasolina	FWD	2946	155	211	03.04-12.10	■
2.0 HDi (6DRHLG, 6DRHLE) (RHL (DW10BTED4))		Diesel	FWD	1997	93	126	11.04-10.07	■
2.0 HDi 135 (6DRHRH, 6DRHRE, 6DRHRG, 6DRHRJ) (RHR (DW10BTED4))		Diesel	FWD	1997	100	136	05.04-10.10	■
2.0 HDi (6DRHRH) (RHR (DW10BTED4))		Diesel	FWD	1997	103	140	06.09-12.10	■
2.0 HDi (6DRHHA) (RHH (DW10CTED4))		Diesel	FWD	1997	120	163	06.09-12.10	■
2.2 HDi (6D4HPH) (4HP (DW12BTED4))		Diesel	FWD	2179	120	163	03.06-12.10	■
2.2 HDi 170 (6D4HTH) (4HT (DW12BTED4))		Diesel	FWD	2179	125	170	03.06-12.10	■
2.7 HDi (6DUHZJ, 6DUHZF) (UHZ (DT17TED4))		Diesel	FWD	2720	150	204	10.05-12.10	■
<b>407 SW (6E_) 08.04-12.10</b>					<b>Estate Van (Large family car-D Segment)</b>			
2.0 HDi (RHR (DW10BTED4))		Diesel	FWD	1997	103	140	06.09-12.10	■
<b>407 SW (6E_, 6D_) 05.04-</b>					<b>Estate (Large family car-D Segment)</b>			
2.2 (3FZ (EW12J4))		Gasolina	FWD	2230	116	158	05.04-07.05	■
2.2 16V (3FY (EW12J4))		Gasolina	FWD	2230	120	163	08.05-12.10	■
3.0 (XFV (ES9A))		Gasolina	FWD	2946	155	211	05.04-12.10	■
2.0 HDi (RHL (DW10BTED4))		Diesel	FWD	1997	93	126	11.04-10.07	■
2.0 HDi 135 (RHR (DW10BTED4))		Diesel	FWD	1997	100	136	07.04-12.10	■
2.0 HDi (RHR (DW10BTED4))		Diesel	FWD	1997	103	140	08.08-12.10	■
2.0 HDi (RHH (DW10CTED4))		Diesel	FWD	1997	120	163	06.09-12.10	■
2.2 HDi (4HP (DW12BTED4))		Diesel	FWD	2179	120	163	06.08-12.10	■
2.2 HDi 170 (4HT (DW12BTED4))		Diesel	FWD	2179	125	170	03.06-12.10	■
2.7 HDi (UHZ (DT17TED4))		Diesel	FWD	2720	150	204	10.05-12.10	■
<b>607 (9D, 9U) 01.00-</b>					<b>Saloon (Executive car-E Segment)</b>			
2.2 16V (3FZ (EW12J4))		Gasolina	FWD	2230	116	158	02.00-08.05	■
2.2 16V (3FY (EW12J4))		Gasolina	FWD	2230	120	163	09.05-06.10	■
3.0 V6 24V (XFX (ES9J4S))		Gasolina	FWD	2946	152	207	02.00-07.04	■
3.0 V6 24V (XFV (ES9A))	01/06-	Gasolina	FWD	2946	155	211	03.04-07.11	■
3.0 V6 24V (XFX (ES9J4S))	01/06-	Gasolina	FWD	2946	155	211	03.04-07.11	■
2.0 HDi (RHZ (DW10ATED))		Diesel	FWD	1997	80	109	05.00-09.05	■
2.0 HDi (RHR (DW10BTED4))	-12/10	Diesel	FWD	1997	100	136	09.05-07.11	■
2.2 HDi (4HX (DW12TED4))		Diesel	FWD	2179	98	133	02.00-02.06	■

## LISTA DE APLICACIONES - BUYERS GUIDE

2.2 HDi (4HT (DW12BTED4))		Diesel	FWD	2179	125	170	05.06-06.10	■
2.7 HDi 24V (DT17TED4)	-12/10	Diesel	FWD	2721	150	204	12.04-07.11	■