

LISTA DE APLICACIONES - BUYERS GUIDE

181658-703

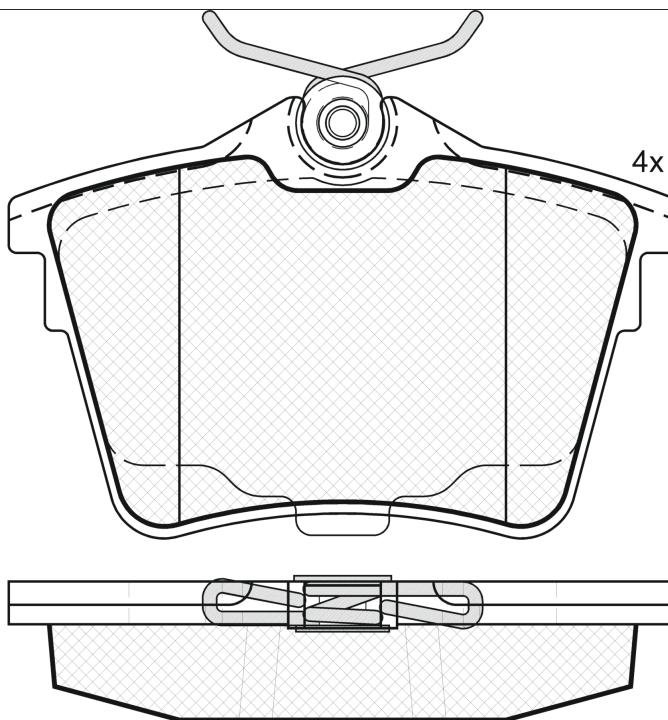


8 424073 091000

Qty: 944

Weight: 1.039

O.E.M.	MAKE
16 172 647 80	PEUGEOT
4252.79	PEUGEOT
4253.26	PEUGEOT
4254.04	CITROËN
4254.21	PEUGEOT
4254.91	PEUGEOT
86 60 000 787	RENAULT
86 60 004 439	RENAULT
E172240	CITROËN



4x

181658-703

E 9 90R-01110/970



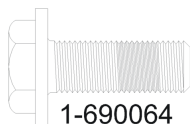
Trw

85.9x56.7x17.8

WVA	FMSI
24135	D1486-8685
MAKE	
CITROËN	
PEUGEOT	

181658-703

4x



1-690064



Trac.	CC	Kw	CV
-------	----	----	----



Front / Rear

CITROËN

C5 II (RW_) 02.08-

Estate (Large family car-D Segment)

Engine/Configuration	Fuel	Drive	CC	Kw	CV	Period	Application
1.6 VTI 120 (5FS (EP6C))	Gasolina	FWD	1598	88	120	07.10-06.15	■
1.6 THP 150 (5FN (EP6CDT))	Gasolina	FWD	1598	110	150	04.09-07.16	■
1.6 THP 155 (5FV (EP6CDT))	Gasolina	FWD	1598	115	156	04.09-07.16	■
1.8 i 16V (RW6FYC) (6FY (EW7A))	Gasolina	FWD	1749	92	125	02.08-10.10	■
2.0 i 16V (RWRFJC, RWRFJF) (RFJ (EW10A))	Gasolina	FWD	1997	103	140	02.08-10.14	■
2.0 16V	Gasolina	FWD	1997	105	143	04.08-12.12	■
3.0	Gasolina	FWD	2946	152	207	02.08-	■
3.0 V6 (RWXFVA, RWXFUA) (XFU (ES9A))	Gasolina	FWD	2946	155	211	02.08-12.10	■
3.0 V6 (RWXFVA, RWXFUA) (XFV (ES9A))	Gasolina	FWD	2946	155	211	02.08-12.10	■
2.0 16V BioFlex (RFJ (EW10A))	Gasol./Etanol	FWD	1997	103	140	02.08-06.10	■
1.6 HDi 110 (RW9HZC) (9HZ (DV6TED4))	Diesel	FWD	1560	80	109	02.08-10.10	■
1.6 HDi 110 (9HL (DV6C))	Diesel	FWD	1560	82	112	07.10-05.12	■
1.6 HDi 110 (9HR (DV6C))	Diesel	FWD	1560	82	112	07.10-05.12	■
1.6 HDi 115 (9HL (DV6C))	not elec.brak.detent	Diesel	FWD	1560	84	06.12-06.15	■
1.6 HDi 115 (9HR (DV6C))	not elec.brak.detent	Diesel	FWD	1560	84	06.12-06.15	■
2.0 HDi (RHR (DW10BTED4))	Diesel	FWD	1997	100	136	02.08-06.14	■
2.0 HDi 140 (RHF (DW10BTED4))	Diesel	FWD	1997	103	140	04.09-06.15	■
2.0 HDi 150 / BlueHDi 150 (RWRHEJ, RWRHE8) (AHR (DW10FD))	Diesel	FWD	1997	110	150	04.09-05.17	■
2.0 HDi 150 / BlueHDi 150 (RWRHEJ, RWRHE8) (RHE (DW10CTED4))	Diesel	FWD	1997	110	150	04.09-05.17	■
2.0 HDi 165 (RHH (DW10CTED4))	Diesel	FWD	1997	120	163	04.09-07.16	■
2.0 HDi 180 (AHW (DW10FC))	Diesel	FWD	1997	133	181	03.15-05.17	■
2.2 HDi 165 (4HP (DW12BTED4))	Diesel	FWD	2179	120	163	02.08-08.09	■

LISTA DE APLICACIONES - BUYERS GUIDE

2.2 HDi (RW4HTH) (4HT (DW12BTED4))		Diesel	FWD	2179	125	170	02.08-12.11	■
2.2 HDi 200 (4HL (DW12C))		Diesel	FWD	2179	150	204	07.10-06.15	■
2.7 HDi (UHZ (DT17TED4))		Diesel	FWD	2720	150	204	02.08-10.09	■
3.0 HDi 240 (RWX8CA) (DT20C)		Diesel	FWD	2992	177	241	04.09-10.14	■
							Saloon (Large family car-D Segment)	
C5 II (RD_) 02.08-								
1.6 VTi 120 (RD5FS8, RD5FSA) (5FS (EP6C))		Gasolina	FWD	1598	88	120	07.10-06.15	■
1.6 THP 150 (RD5FN8, RD5FNA) (5FN (EP6CDT))		Gasolina	FWD	1598	110	150	07.10-07.16	■
1.6 THP 155 (RD5FV8, RD5FNA) (5FV (EP6CDT))		Gasolina	FWD	1598	115	156	04.09-07.16	■
1.8 16V (RD6FXC) (6FY (EW7A))		Gasolina	FWD	1749	92	125	02.08-10.10	■
2.0 16V (RDRFJC, RDRFJF) (RFJ (EW10A))		Gasolina	FWD	1997	103	140	02.08-10.14	■
2.0 16V (RDRFJF)		Gasolina	FWD	1997	105	143	04.08-12.12	■
3.0		Gasolina	FWD	2946	152	207	02.08-	■
3.0 V6 (RDXFVJ) (XFU (ES9A))		Gasolina	FWD	2946	155	211	02.08-12.10	■
3.0 V6 (RDXFVJ) (XFV (ES9A))		Gasolina	FWD	2946	155	211	02.08-12.10	■
2.0 16V BioFlex (RDRFJF) (RFJ (EW10A))		Gasol./Etanol	FWD	1997	103	140	02.08-12.12	■
1.6 HDi 110 (RD9HZC) (9HZ (DV6TED4))		Diesel	FWD	1560	80	109	02.08-10.10	■
1.6 HDi 110 (RD9HL0, RD9HR8, RD9HRA) (9HL (DV6C))		Diesel	FWD	1560	82	112	07.10-05.12	■
1.6 HDi 110 (RD9HL0, RD9HR8, RD9HRA) (9HR (DV6C))		Diesel	FWD	1560	82	112	07.10-05.12	■
1.6 HDi 115 (RD9HRA, RD9HLA, RD9HL0) (9HL (DV6C))	not elec.brak.detent	Diesel	FWD	1560	84	114	01.12-06.15	■
1.6 HDi 115 (RD9HRA, RD9HLA, RD9HL0) (9HR (DV6C))	not elec.brak.detent	Diesel	FWD	1560	84	114	01.12-06.15	■
2.0 HDi (RDRHD8, RDRHDJ, RDRHR8, RDRHRJ) (RHF (DW10BTED4))		Diesel	FWD	1997	100	136	02.08-06.14	■
2.0 HDi (RDRHD8, RDRHDJ, RDRHR8, RDRHRJ) (RHR (DW10BTED4))		Diesel	FWD	1997	100	136	02.08-06.14	■
2.0 HDi 140 (RDRHF8, RDRHFA, RDRHA8, RDRHAJ) (RHF (DW10BTED4))		Diesel	FWD	1997	103	140	11.08-06.15	■
2.0 HDi 150 / BlueHdi 150 (RWRHEJ, RWRHE8) (AHR (DW10FD))		Diesel	FWD	1997	110	150	04.09-05.17	■
2.0 HDi 150 / BlueHdi 150 (RWRHEJ, RWRHE8) (RHE (DW10CTED4))		Diesel	FWD	1997	110	150	04.09-05.17	■
2.0 HDi 165 (RDRHHA, RDRHH8) (RHH (DW10CTED4))		Diesel	FWD	1997	120	163	04.09-07.16	■
2.0 HDi 180 (RDAHWT) (AHW (DW10FC))		Diesel	FWD	1997	133	181	03.15-05.17	■
2.2 HDi (RD4HTH, RD4HPH, RD4HRH, RD4HSH) (4HP (DW12BTED4))		Diesel	FWD	2179	120	163	04.09-12.11	■
2.2 HDi (RD4HTH, RD4HPH, RD4HRH, RD4HSH) (4HR (DW12BTED4))		Diesel	FWD	2179	120	163	04.09-12.11	■
2.2 HDi (RD4HTH) (4HT (DW12BTED4))		Diesel	FWD	2179	125	170	02.08-12.11	■
2.2 HDi 200 (RD4HLA) (4HL (DW12C))		Diesel	FWD	2179	150	204	07.10-06.15	■
2.7 HDi (RDUHZJ) (UHZ (DT17TED4))		Diesel	FWD	2720	150	204	02.08-12.09	■
3.0 HDi 240 (RDX8CA) (DT20C)		Diesel	FWD	2992	177	241	04.09-10.14	■
PEUGEOT								
							Coupe (Large family car-D Segment)	
407 (6C_) 10.05-								
2.2 16V (3FY (EW12J4))	-12/10	Gasolina	FWD	2230	120	163	10.05-	■
3.0 V6 (XFV (ES9A))	-12/10	Gasolina	FWD	2946	155	211	10.05-	■
2.0 HDi (RHR (DW10BTED4))		Diesel	FWD	1997	100	136	10.05-	■
2.0 HDi		Diesel	FWD	1997	110	150	02.10-	■
2.0 HDi (RHH (DW10CTED4))	-12/10	Diesel	FWD	1997	120	163	06.09-	■
2.7 HDi (UHZ (DT17TED4))	-12/10	Diesel	FWD	2720	150	204	10.05-	■
3.0 HDi (DT20C)	-12/10	Diesel	FWD	2992	177	241	06.09-	■

LISTA DE APLICACIONES - BUYERS GUIDE

						Saloon (Large family car-D Segment)				
407 (6D_) 02.04-12.13										
1.8 (6D6FZB) (6FZ (EW7J4))		Gasolina	FWD	1749	85	116	03.04-07.05	■		
1.8 16V (6D6FYC) (6FY (EW7A))		Gasolina	FWD	1749	92	125	08.05-12.10	■		
2.0 (6DRFNB, 6DRFNE) (RFN (EW10J4))		Gasolina	FWD	1997	100	136	03.04-07.05	■		
2.0 16V (6DRFJC, 6DRFJE, 6DRFJF) (RFJ (EW10A))	discØ 290	Gasolina	FWD	1997	103	140	09.05-12.10	■		
2.0 16V (6DRFJC, 6DRFJF)	discØ 290	Gasolina	FWD	1997	105	143	08.08-12.09	■		
2.2 (6D3FZE, 6D3FZH) (3FZ (EW12J4))		Gasolina	FWD	2230	116	158	03.04-10.06	■		
2.2 16V (6D3FYH, 6D3FYE) (3FY (EW12J4))		Gasolina	FWD	2230	120	163	08.05-12.10	■		
3.0 (6DXFVJ) (XFV (ES9A))		Gasolina	FWD	2946	155	211	03.04-12.10	■		
2.0 Bioflex (6DRFJB) (RFJ (EW10A))		Gasol./Etanol	FWD	1997	103	140	09.07-02.11	■		
2.0 Flex (6DRFJB) (RFJ (EW10A))		Gasol./Etanol	FWD	1997	103	140	10.05-02.11	■		
1.6 HDi 110 (6D9HZC, 6D9HYC) (9HZ (DV6TED4))		Diesel	FWD	1560	80	109	05.04-12.10	■		
2.0 HDi (6DRHLG, 6DRHLE) (RHL (DW10BTED4))		Diesel	FWD	1997	93	126	11.04-10.07	■		
2.0 HDi 135 (6DRHRH, 6DRHRE, 6DRHRG, 6DRHRJ) (RHR (DW10BTED4))		Diesel	FWD	1997	100	136	05.04-10.10	■		
2.0 HDi (6DRHRH) (RHR (DW10BTED4))		Diesel	FWD	1997	103	140	06.09-12.10	■		
2.0 HDi		Diesel	FWD	1997	110	150	02.10-	■		
2.0 HDi (6DRHHA) (RHH (DW10CTED4))		Diesel	FWD	1997	120	163	06.09-12.10	■		
2.2 HDi (6D4HPH) (4HP (DW12BTED4))		Diesel	FWD	2179	120	163	03.06-12.10	■		
2.2 HDi 170 (6D4HTH) (4HT (DW12BTED4))		Diesel	FWD	2179	125	170	03.06-12.10	■		
2.7 HDi (6DUHZJ, 6DUHZF) (UHZ (DT17TED4))		Diesel	FWD	2720	150	204	10.05-12.10	■		
407 SW (6E_) 08.04-12.10						Estate Van (Large family car-D Segment)				
1.6 HDi (9HZ (DV6TED4))		Diesel	FWD	1560	80	109	08.04-12.10	■		
2.0 HDi (RHR (DW10BTED4))		Diesel	FWD	1997	103	140	06.09-12.10	■		
2.0 HDi (RHH (DW10CTED4))		Diesel	FWD	1997	120	163	06.09-12.10	■		
407 SW (6E_, 6D_) 05.04-						Estate (Large family car-D Segment)				
1.8 (6FZ (EW7J4))		Gasolina	FWD	1749	85	116	05.04-07.05	■		
1.8 16V (6FY (EW7A))		Gasolina	FWD	1749	92	125	08.05-12.10	■		
2.0 (RFN (EW10J4))		Gasolina	FWD	1997	100	136	05.04-07.05	■		
2.0 16V (RFJ (EW10A))	discØ 290	Gasolina	FWD	1997	103	140	08.05-12.10	■		
2.2 (3FZ (EW12J4))		Gasolina	FWD	2230	116	158	05.04-07.05	■		
2.2 16V (3FY (EW12J4))		Gasolina	FWD	2230	120	163	08.05-12.10	■		
3.0 (XFV (ES9A))		Gasolina	FWD	2946	155	211	05.04-12.10	■		
2.0 Bioflex (RFJ (EW10A))	discØ 290	Gasol./Etanol	FWD	1997	103	140	01.08-12.10	■		
2.0 Flex (RFJ (EW10A))	discØ 290	Gasol./Etanol	FWD	1997	103	140	10.05-02.11	■		
1.6 HDi 110 (9HZ (DV6TED4))		Diesel	FWD	1560	80	109	05.04-12.10	■		
2.0 HDi (RHL (DW10BTED4))		Diesel	FWD	1997	93	126	11.04-10.07	■		
2.0 HDi 135 (RHR (DW10BTED4))		Diesel	FWD	1997	100	136	07.04-12.10	■		
2.0 HDi (RHR (DW10BTED4))		Diesel	FWD	1997	103	140	08.08-12.10	■		
2.0 HDi		Diesel	FWD	1997	110	150	02.10-	■		
2.0 HDi (RHH (DW10CTED4))		Diesel	FWD	1997	120	163	06.09-12.10	■		
2.2 HDi (4HP (DW12BTED4))		Diesel	FWD	2179	120	163	06.08-12.10	■		
2.2 HDi 170 (4HT (DW12BTED4))		Diesel	FWD	2179	125	170	03.06-12.10	■		
2.7 HDi (UHZ (DT17TED4))		Diesel	FWD	2720	150	204	10.05-12.10	■		
607 (9D, 9U) 01.00-						Saloon (Executive car-E Segment)				
2.2 16V (3FZ (EW12J4))		Gasolina	FWD	2230	116	158	02.00-08.05	■		

LISTA DE APLICACIONES - BUYERS GUIDE

2.2 16V (3FY (EW12J4))		Gasolina	FWD	2230	120	163	09.05-06.10	■
3.0 V6 24V (XFX (ES9J4S))		Gasolina	FWD	2946	152	207	02.00-07.04	■
3.0 V6 24V (XFX (ES9A))	01/06-	Gasolina	FWD	2946	155	211	03.04-07.11	■
3.0 V6 24V (XFX (ES9J4S))	01/06-	Gasolina	FWD	2946	155	211	03.04-07.11	■
2.0 HDi (RHZ (DW10ATED))		Diesel	FWD	1997	80	109	05.00-09.05	■
2.0 HDi (RHR (DW10BTED4))	-12/10	Diesel	FWD	1997	100	136	09.05-07.11	■
2.2 HDi (4HX (DW12TED4))		Diesel	FWD	2179	98	133	02.00-02.06	■
2.2 HDi (4HT (DW12BTED4))		Diesel	FWD	2179	125	170	05.06-06.10	■
2.7 HDi 24V (DT17TED4)	-12/10	Diesel	FWD	2721	150	204	12.04-07.11	■