

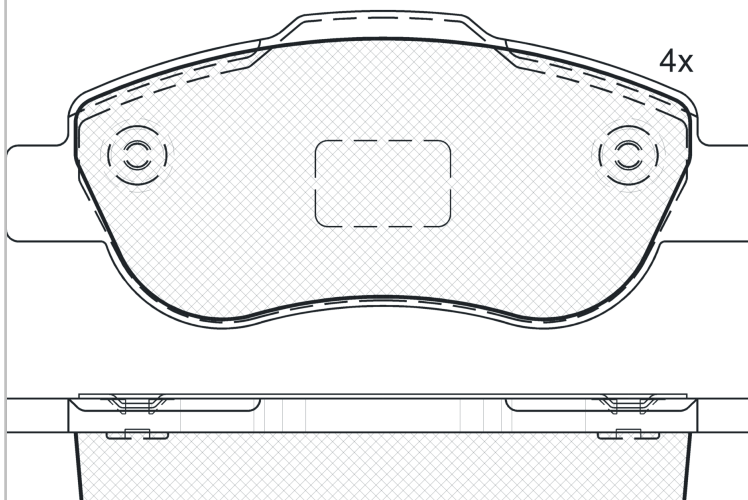
LISTA DE APLICACIONES - BUYERS GUIDE

181659



Qty: 300 Weight: 1.276

O.E.M.	MAKE
7 177 000 8	FIAT
7 177 221 5	FIAT
7 736 268 9	FIAT
7 736 269 1	FIAT



181659

90R-01111/881



Bosch

122.9x51.8x17.7

WVA	FMSI
24072	D1488-8688
24138	
MAKE	
FIAT	



Trac.	CC	Kw	CV			Front / Rear
-------	----	----	----	--	--	--------------

FIAT

500 II (312_) 07.07-

Hatchback (City car-A Segment)

Model	Fuel	Trac.	CC	Kw	CV	Period	Status
1.3 D Multijet (312AXB1A) (169 A1.000)	Diesel	FWD	1248	55	75	10.07-	■
1.3 D Multijet (312AXE1A) (199 B1.000)	Diesel	FWD	1248	70	95	12.09-	■
1.3 D Multijet (312AXE1A) (312 B1.000)	Diesel	FWD	1248	70	95	12.09-	■

PALIO (178_, 171_, 371_) 04.96-

Hatchback (Supermini car-B Segment)

1.3 JTD Multijet (178BYE1AAT) (188 A9.000)	Diesel	FWD	1248	51	69	06.03-01.12	■
--	--------	-----	------	----	----	-------------	---

PANDA II (169_) 03.04-

Hatchback Van (LCVs-N1 Segment)

1.2 4x4 (188 A4.000)	Gasolina	4WD	1242	44	60	09.04-	■
1.2 Natural Power (188 A4.000)	Gasol./Gas (CNG)	FWD	1242	44	60	01.07-11.09	■
1.2 Bipower (169CXB1A) (188 A4.000)	Gasol./Etanol	FWD	1242	44	60	09.04-12.11	■
1.3 D Multijet (188 A8.000)	Diesel	FWD	1248	51	70	03.04-	■
1.3 D Multijet 4x4 (188 A8.000)	Diesel	4WD	1248	51	70	10.04-12.06	■
1.3 D Multijet (169 A1.000)	Diesel	FWD	1248	55	75	01.06-	■
1.3 D Multijet 4x4 (169 A1.000)	Diesel	4WD	1248	55	75	01.06-	■

PANDA II (169_) 09.03-

Hatchback (City car-A Segment)

1.2 4x4 (169.AXB2A) (188 A4.000)	Gasolina	4WD	1242	44	60	10.04-	■
1.2 Natural Power (169.AXB1A) (188 A4.000)	Gasol./Gas (CNG)	FWD	1242	44	60	01.07-12.11	■
1.3 D Multijet (169.AXC1A) (188 A8.000)	Diesel	FWD	1248	51	70	09.03-	■
1.3 D Multijet (169AXG1A, 169AXD1A) (169 A1.000)	Diesel	FWD	1248	55	75	06.06-08.13	■

LISTA DE APLICACIONES - BUYERS GUIDE

1.3 D Multijet (169AXG1A, 169AXD1A) (169 A5.000)	-12/12	Diesel	FWD	1248	55	75	06.06-08.13	■
1.3 JTD Multijet 4x4 (169AXG1A, 169AXG2A) (169 A1.000)	-12/12	Diesel	4WD	1248	55	75	09.10-08.13	■
1.3 JTD Multijet 4x4 (169AXG1A, 169AXG2A) (169 A5.000)	-12/12	Diesel	4WD	1248	55	75	09.10-08.13	■