

# LISTA DE APLICACIONES - BUYERS GUIDE

## 181662-700

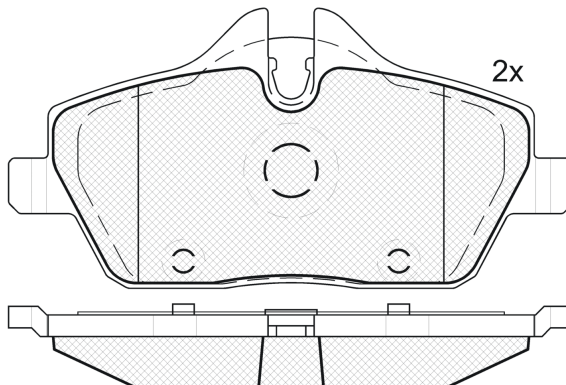
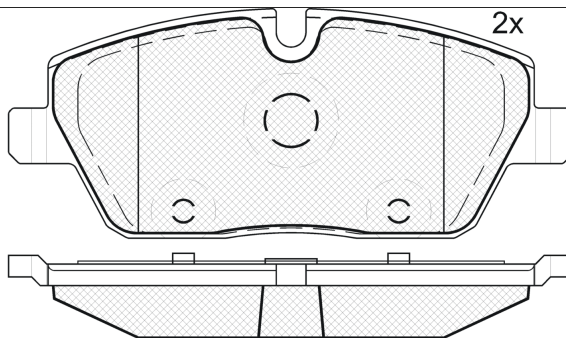


8 424073 091109

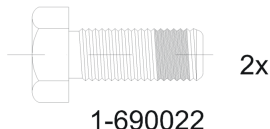
Qty: 300

Weight: 1.490

O.E.M.	MAKE
34 10 6 874 809	BMW
34 11 2 288 854	BMW
34 11 2 288 855	BMW
34 11 6 767 143	BMW
34 11 6 767 144	BMW
34 11 6 771 837	BMW
34 11 6 771 838	BMW
34 11 6 774 050	BMW



## 181662-700



## 181662-700

**E 9** 90R-01111/974



Trw

131.3x53.33x17.8

131.3x65.05x17.8

WVA	FMSI
23915	D1308-9684
23916	
24165	

MAKE
BMW
MINI



Trac.	CC	Kw	CV
-------	----	----	----



Front / Rear

### BMW

						Convertible (Compact car-C Segment)		
<b>1 Serie (E88) 12.07-12.13</b>								
118 i (N46 B20 B)		Gasolina	RWD	1995	100	136	09.08-12.13	■
118 i (N43 B20 A)	-12/10	Gasolina	RWD	1995	105	143	03.08-10.13	■
118 d (N47 D20 A)	-12/10	Diesel	RWD	1995	100	136	09.08-12.13	■
118 d (N47 D20 C)	-12/10	Diesel	RWD	1995	100	136	09.08-12.13	■
118 d (N47 D20 A)	-12/10	Diesel	RWD	1995	105	143	09.08-12.13	■
118 d (N47 D20 C)	-12/10	Diesel	RWD	1995	105	143	09.08-12.13	■
<b>1 Serie (E82) 10.06-10.13</b>						Coupe (Compact car-C Segment)		
118 d (N47 D20 C)		Diesel	RWD	1995	100	136	09.09-10.13	■
118 d (N47 D20 C)	-12/10	Diesel	RWD	1995	105	143	09.09-10.13	■
<b>1 Serie (E87) 02.03-12.13</b>						Hatchback (Compact car-C Segment)		
116 i (N45 B16 A)	not M technique	Gasolina	RWD	1596	85	115	06.04-06.11	■
116 i (N45 B16 A)	-12/10	Gasolina	RWD	1596	85	115	09.07-12.11	■
116 i	not M technique	Gasolina	RWD	1599	89	121	03.07-06.11	■
116 i (N43 B16 AA)	not M technique	Gasolina	RWD	1599	90	122	09.07-06.11	■
116 i (N43 B16 AA)	-12/10	Gasolina	RWD	1599	90	122	03.07-12.11	■
116 i (N43 B20 A)	not M technique	Gasolina	RWD	1995	90	122	01.09-06.11	■
116 i (N43 B20 A)	01/09-	Gasolina	RWD	1995	90	122	11.08-12.11	■
118 i (N46 B20 B)	not M technique	Gasolina	RWD	1995	95	129	07.04-02.07	■
118 i	-12/10	Gasolina	FWD	1995	95	129	09.06-09.12	■
118 i (N46 B20 B)		Gasolina	RWD	1995	95	129	09.06-02.08	■
118 i (N46 B20 B)	not M technique	Gasolina	RWD	1995	100	136	10.06-06.11	■

# LISTA DE APLICACIONES - BUYERS GUIDE

118 i (N46 B20 B)	01/07-, discØ 292, Syst. Standard	Gasolina	RWD	1995	100	136	09.06-12.11	■	
118 i (N43 B20 A)	not M technique	Gasolina	RWD	1995	105	143	09.06-06.11	■	
118 i (N43 B20 A)	01/07-	Gasolina	RWD	1995	105	143	09.06-12.11	■	
120 i (N46 B20 B)	not M technique	Gasolina	RWD	1995	110	150	06.04-02.07	■	
120 i (N46 B20 BD)	not M technique	Gasolina	RWD	1995	110	150	06.04-02.07	■	
120 i (N46 B20 C)	not M technique	Gasolina	RWD	1995	110	150	06.04-02.07	■	
120 i (N46 B20 CC)	not M technique	Gasolina	RWD	1995	110	150	06.04-02.07	■	
120 i (N46 B20 A)	not M technique	Gasolina	RWD	1995	115	156	03.07-06.11	■	
120 i (N46 B20 B)	not M technique	Gasolina	RWD	1995	115	156	03.07-06.11	■	
120 i (N46 B20 BD)	not M technique	Gasolina	RWD	1995	115	156	03.07-06.11	■	
120 i (N46 B20 C)	not M technique	Gasolina	RWD	1995	115	156	03.07-06.11	■	
120 i (N46 B20 CC)	not M technique	Gasolina	RWD	1995	115	156	03.07-06.11	■	
120 i (N46 B20 B)		Gasolina	RWD	1995	115	156	03.07-12.11	■	
120 i (N46 B20 C)		Gasolina	RWD	1995	115	156	03.07-12.11	■	
120 i (N43 B20 A)		Gasolina	RWD	1995	120	163	03.07-12.11	■	
118 i (N43 B20 A)	not M technique, discØ 292, Syst. Standard	Gasolina	RWD	1995	125	170	03.07-12.07	■	
116 d (N47 D20 C)	not M technique	Diesel	RWD	1995	66	90	01.11-12.11	■	
116 d (N47 D20 A)		Diesel	RWD	1995	66	90	01.11-12.11	■	
116 d (N47 D20 C)		Diesel	RWD	1995	66	90	01.11-12.11	■	
116 d (N47 D20 A)	not M technique	Diesel	RWD	1995	85	116	03.09-06.11	■	
116 d (N47 D20 C)	not M technique	Diesel	RWD	1995	85	116	03.09-06.11	■	
116 d (N47 D20 A)	01/09-	Diesel	RWD	1995	85	116	11.08-12.11	■	
116 d (N47 D20 C)	01/09-	Diesel	RWD	1995	85	116	11.08-12.11	■	
118 d (M47 D20 (204D4))	not M technique	Diesel	RWD	1995	90	122	06.04-02.07	■	
118 d	-12/10	Diesel	RWD	1995	90	122	09.06-09.12	■	
118 d (N47 D20 A)	not M technique	Diesel	RWD	1995	100	136	03.07-06.11	■	
118 d (N47 D20 C)	not M technique	Diesel	RWD	1995	100	136	03.07-06.11	■	
118 d (N47 D20 A)	01/07-	Diesel	RWD	1995	100	136	09.06-12.11	■	
118 d (N47 D20 C)	01/07-	Diesel	RWD	1995	100	136	09.06-12.11	■	
118 d (N47 D20 A)	not M technique	Diesel	RWD	1995	105	143	03.07-06.11	■	
118 d (N47 D20 C)	not M technique	Diesel	RWD	1995	105	143	03.07-06.11	■	
118 d (N47 D20 A)	01/07-	Diesel	RWD	1995	105	143	09.06-12.11	■	
118 d (N47 D20 C)	01/07-	Diesel	RWD	1995	105	143	09.06-12.11	■	
<b>2 Active Tourer (F45) 11.13-</b>					<b>MPV (Compact car-C Segment)</b>				
214 d (B37 C15 A)		Diesel	FWD	1496	70	95	07.14-02.18	■	
<b>MINI</b>									
<b>MINI (F57) 11.14-</b>					<b>Convertible (Supermini car-B Segment)</b>				
Cooper SE		Eléctrico	FWD		135	184	04.23-	■	