

LISTA DE APLICACIONES - BUYERS GUIDE

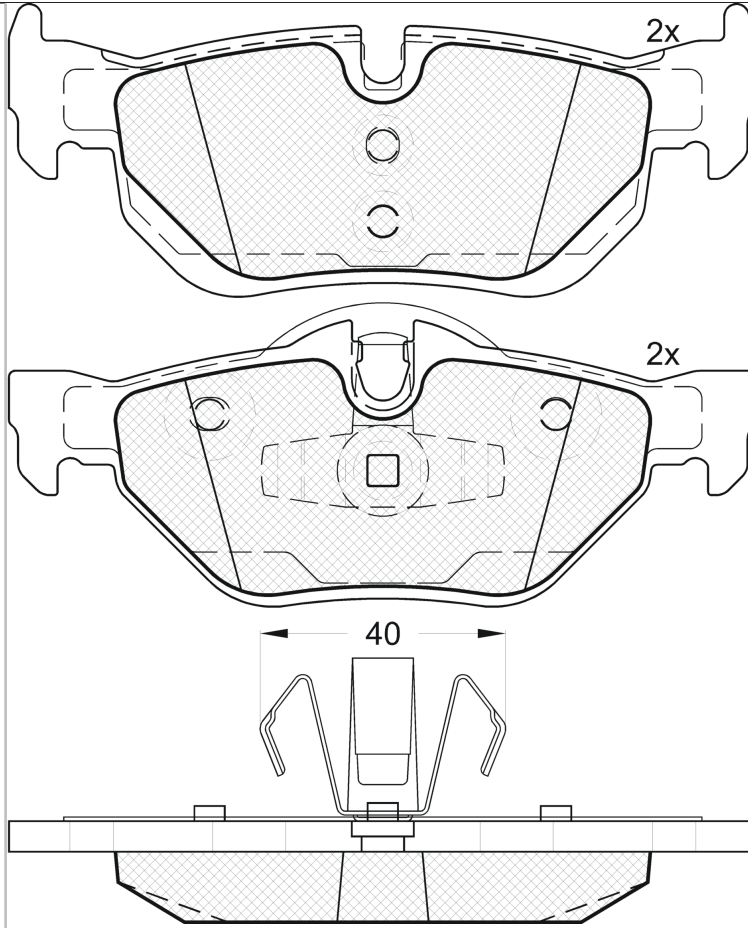
181663



Qty: 944

Weight: 940

O.E.M.	MAKE
34 21 2 288 891	BMW
34 21 2 288 892	BMW
34 21 2 409 257	BMW
34 21 2 409 259	BMW
34 21 6 767 148	BMW
34 21 6 767 150	BMW
34 21 6 773 161	BMW
34 21 6 774 692	BMW
34 21 6 790 761	BMW



181663



90R-01110/975

Ate - Teves

122.9x43.49x17.3
123.1x48.2x17.3

WVA	FMSI
23926	D1171-7286
23927	D1267-7286
24226	

MAKE
BMW
BMW (BRILLIANCE)
ZINORO



Trac.	CC	Kw	CV
-------	----	----	----



Front / Rear

BMW

1 Serie (E88) 12.07-12.13

Convertible (Compact car-C Segment)

Model	Year	Fuel	Trac.	CC	Kw	CV	Period	Availability	
118 i (N46 B20 B)		Gasolina	RWD	1995	100	136	09.08-12.13	■	
118 i (N43 B20 A)	-12/10	Gasolina	RWD	1995	105	143	03.08-10.13	■	
120 i (N46 B20 B)		Gasolina	RWD	1995	115	156	03.08-12.13	■	
120 i (N46 B20 C)		Gasolina	RWD	1995	115	156	03.08-12.13	■	
120 i (N46 B20 E)		Gasolina	RWD	1995	115	156	03.08-12.13	■	
120 i (N43 B20 A)	-12/10	Gasolina	RWD	1995	120	163	03.08-12.13	■	
120 i (N43 B20 A)	-12/10	Gasolina	RWD	1995	125	170	12.07-10.13	■	
125 i (N52 B30 A)	-12/10	Gasolina	RWD	2996	160	218	12.07-10.13	■	
125 i (N52 B30 B)	-12/10	Gasolina	RWD	2996	160	218	12.07-10.13	■	
125 i (N52 B30 BF)	-12/10	Gasolina	RWD	2996	160	218	12.07-10.13	■	
128 i (N51 B30 A)		Performance brakes, discØ 300, Syst. Standard, -09/10	Gasolina	RWD	2996	172	234	12.07-10.13	■
128 i (N52 B30 A)		Performance brakes, discØ 300, Syst. Standard, -09/10	Gasolina	RWD	2996	172	234	12.07-10.13	■
118 d (N47 D20 A)	-12/10	Diesel	RWD	1995	100	136	09.08-12.13	■	
118 d (N47 D20 C)	-12/10	Diesel	RWD	1995	100	136	09.08-12.13	■	
118 d (N47 D20 A)	-12/10	Diesel	RWD	1995	105	143	09.08-12.13	■	
118 d (N47 D20 C)	-12/10	Diesel	RWD	1995	105	143	09.08-12.13	■	
120 d (N47 D20 A)	-12/10	Diesel	RWD	1995	120	163	03.08-12.13	■	
120 d (N47 D20 C)	-12/10	Diesel	RWD	1995	120	163	03.08-12.13	■	
120 d (N47 D20 A)	-12/10	Diesel	RWD	1995	130	177	03.08-12.13	■	
120 d (N47 D20 C)	-12/10	Diesel	RWD	1995	130	177	03.08-12.13	■	
120 d (N47 D20 C)	-12/10	Diesel	RWD	1995	145	197	03.08-12.13	■	
123 d (N47 D20 B)	-12/10, not M technique	Diesel	RWD	1995	150	204	09.08-12.13	■	

LISTA DE APLICACIONES - BUYERS GUIDE

123 d (N47 D20 D)	-12/10, not M technique	Diesel	RWD	1995	150	204	09.08-12.13	■	
1 Serie (E82) 10.06-10.13					Coupe (Compact car-C Segment)				
120 i (N46 B20 B)		Gasolina	RWD	1995	115	156	09.09-10.13	■	
120 i (N46 B20 BD)		Gasolina	RWD	1995	115	156	09.09-10.13	■	
120 i (N46 B20 C)		Gasolina	RWD	1995	115	156	09.09-10.13	■	
120 i (N46 B20 E)		Gasolina	RWD	1995	115	156	09.09-10.13	■	
120 i (N43 B20 A)		Gasolina	RWD	1995	125	170	10.07-10.13	■	
3.0 128 i	01/07-	Gasolina	FWD	2995	169	230	10.06-	■	
125 i (N52 B30 A)	-12/10	Gasolina	RWD	2996	160	218	03.08-10.13	■	
125 i (N52 B30 B)	-12/10	Gasolina	RWD	2996	160	218	03.08-10.13	■	
125 i (N52 B30 BF)	-12/10	Gasolina	RWD	2996	160	218	03.08-10.13	■	
128 i (N51 B30 A,N52 B30 A)		Gasolina	RWD	2996	172	234	10.07-10.13	■	
118 d (N47 D20 C)		Diesel	RWD	1995	100	136	09.09-10.13	■	
118 d (N47 D20 C)	-12/10	Diesel	RWD	1995	105	143	09.09-10.13	■	
120 d (N47 D20 A)	-12/10	Diesel	RWD	1995	120	163	09.07-10.13	■	
120 d (N47 D20 C)	-12/10	Diesel	RWD	1995	120	163	09.07-10.13	■	
120 d (N47 D20 A)	-12/10	Diesel	RWD	1995	130	177	09.07-10.13	■	
120 d (N47 D20 C)	-12/10	Diesel	RWD	1995	130	177	09.07-10.13	■	
120 d (N47 D20 A)	-12/10	Diesel	RWD	1995	145	197	09.07-10.13	■	
120 d (N47 D20 C)	-12/10	Diesel	RWD	1995	145	197	09.07-10.13	■	
123 d (N47 D20 B)	-12/10, not M technique	Diesel	RWD	1995	150	204	10.07-09.13	■	
123 d (N47 D20 D)	-12/10, not M technique	Diesel	RWD	1995	150	204	10.07-09.13	■	
1 Serie (E87) 02.03-12.13					Hatchback (Compact car-C Segment)				
116 i (N45 B16 A)	M technique, Performance brakes	Gasolina	RWD	1596	85	115	06.04-06.11	■	
116 i (N45 B16 A)	Performance brakes	Gasolina	RWD	1596	85	115	09.07-12.11	■	
116 i	M technique	Gasolina	RWD	1599	89	121	03.07-06.11	■	
116 i (N43 B16 AA)	M technique, Performance brakes	Gasolina	RWD	1599	90	122	09.07-06.11	■	
116 i (N43 B16 AA)	Performance brakes	Gasolina	RWD	1599	90	122	03.07-12.11	■	
116 i (N43 B20 A)	M technique	Gasolina	RWD	1995	90	122	01.09-06.11	■	
116 i (N43 B20 A)		Gasolina	RWD	1995	90	122	11.08-12.11	■	
118 i (N46 B20 B)	M technique, Performance brakes	Gasolina	RWD	1995	95	129	07.04-02.07	■	
118 i (N46 B20 B)	Performance brakes	Gasolina	RWD	1995	95	129	09.06-02.08	■	
118 i (N46 B20 B)	M technique, Performance brakes	Gasolina	RWD	1995	100	136	10.06-06.11	■	
118 i (N46 B20 B)	Performance brakes, discØ 300	Gasolina	RWD	1995	100	136	09.06-12.11	■	
118 i (N43 B20 A)	M technique, Performance brakes	Gasolina	RWD	1995	105	143	09.06-06.11	■	
118 i (N43 B20 A)	Performance brakes	Gasolina	RWD	1995	105	143	09.06-12.11	■	
120 i (N46 B20 B)	M technique, Performance brakes	Gasolina	RWD	1995	110	150	06.04-02.07	■	
120 i (N46 B20 BD)	M technique, Performance brakes	Gasolina	RWD	1995	110	150	06.04-02.07	■	
120 i (N46 B20 C)	M technique, Performance brakes	Gasolina	RWD	1995	110	150	06.04-02.07	■	
120 i (N46 B20 CC)	M technique, Performance brakes	Gasolina	RWD	1995	110	150	06.04-02.07	■	
120 i (N46 B20 A)	M technique, Performance brakes	Gasolina	RWD	1995	115	156	03.07-06.11	■	
120 i (N46 B20 B)	M technique, Performance brakes	Gasolina	RWD	1995	115	156	03.07-06.11	■	
120 i (N46 B20 BD)	M technique, Performance brakes	Gasolina	RWD	1995	115	156	03.07-06.11	■	
120 i (N46 B20 C)	M technique, Performance brakes	Gasolina	RWD	1995	115	156	03.07-06.11	■	

LISTA DE APLICACIONES - BUYERS GUIDE

120 i (N46 B20 CC)	M technique, Performance brakes	Gasolina	RWD	1995	115	156	03.07-06.11	■
120 i (N46 B20 B)	Performance brakes	Gasolina	RWD	1995	115	156	03.07-12.11	■
120 i (N46 B20 C)	Performance brakes	Gasolina	RWD	1995	115	156	03.07-12.11	■
120 i (N43 B20 A)	M technique, Performance brakes	Gasolina	RWD	1995	120	163	03.07-06.11	■
120 i (N43 B20 A)	Performance brakes	Gasolina	RWD	1995	120	163	03.07-12.11	■
118 i (N43 B20 A)	M technique, discØ 300, Performance brakes	Gasolina	RWD	1995	125	170	03.07-12.07	■
120 i (N43 B20 A)	M technique, Performance brakes	Gasolina	RWD	1995	125	170	03.07-06.11	■
120 i (N43 B20 A)	Performance brakes	Gasolina	RWD	1995	125	170	03.07-09.12	■
130 i (N52 B30 A)	not M technique	Gasolina	RWD	2996	190	258	03.07-06.11	■
130 i (N52 B30 AF)	not M technique	Gasolina	RWD	2996	190	258	03.07-06.11	■
130 i (N52 B30 B)	not M technique	Gasolina	RWD	2996	190	258	03.07-06.11	■
130 i (N52 B30 BF)	not M technique	Gasolina	RWD	2996	190	258	03.07-06.11	■
130 i (N52 B30 A)	-12/10	Gasolina	RWD	2996	190	258	09.06-12.11	■
130 i (N52 B30 B)	-12/10	Gasolina	RWD	2996	190	258	09.06-12.11	■
130 i (N52 B30 BF)	-12/10	Gasolina	RWD	2996	190	258	09.06-12.11	■
130 i (N52 B30 A)	not M technique	Gasolina	RWD	2996	195	265	09.05-02.07	■
130 i (N52 B30 AF)	not M technique	Gasolina	RWD	2996	195	265	09.05-02.07	■
130 i (N52 B30 BF)	not M technique	Gasolina	RWD	2996	195	265	09.05-02.07	■
130 i (N52 B30 A)	-12/10	Gasolina	RWD	2996	195	265	09.06-12.11	■
130 i (N52 B30 B)	-12/10	Gasolina	RWD	2996	195	265	09.06-12.11	■
130 i (N52 B30 BF)	-12/10	Gasolina	RWD	2996	195	265	09.06-12.11	■
116 d (N47 D20 C)	M technique	Diesel	RWD	1995	66	90	01.11-12.11	■
116 d (N47 D20 A)	M technique	Diesel	RWD	1995	85	116	03.09-06.11	■
116 d (N47 D20 C)	M technique	Diesel	RWD	1995	85	116	03.09-06.11	■
118 d (M47 D20 (204D4))	M technique, Performance brakes	Diesel	RWD	1995	90	122	06.04-02.07	■
118 d (N47 D20 A)	M technique	Diesel	RWD	1995	100	136	03.07-06.11	■
118 d (N47 D20 C)	M technique	Diesel	RWD	1995	100	136	03.07-06.11	■
118 d (N47 D20 A)		Diesel	RWD	1995	100	136	09.06-12.11	■
118 d (N47 D20 C)		Diesel	RWD	1995	100	136	09.06-12.11	■
118 d (N47 D20 A)	M technique	Diesel	RWD	1995	105	143	03.07-06.11	■
118 d (N47 D20 C)	M technique	Diesel	RWD	1995	105	143	03.07-06.11	■
118 d (N47 D20 A)	01/07-	Diesel	RWD	1995	105	143	09.06-12.11	■
118 d (N47 D20 C)	01/07-	Diesel	RWD	1995	105	143	09.06-12.11	■
120 d (M47 D20 (204D4))		Diesel	RWD	1995	110	150	06.04-02.07	■
120 d (M47 D20 (204D4))		Diesel	RWD	1995	115	156	05.06-02.07	■
120 d (M47 D20 (204D4))		Diesel	RWD	1995	120	163	06.04-06.11	■
120 d (N47 D20 A)		Diesel	RWD	1995	120	163	06.04-06.11	■
120 d (N47 D20 A)	-12/10	Diesel	RWD	1995	120	163	03.07-12.11	■
120 d (N47 D20 C)	-12/10	Diesel	RWD	1995	120	163	03.07-12.11	■
120 d (N47 D20 A)		Diesel	RWD	1995	125	170	03.07-10.10	■
120 d (N47 D20 A)		Diesel	RWD	1995	130	177	03.07-06.11	■
120 d (N47 D20 C)		Diesel	RWD	1995	130	177	03.07-06.11	■
120 d (N47 D20 A)		Diesel	RWD	1995	130	177	03.07-12.11	■
120 d (N47 D20 C)		Diesel	RWD	1995	130	177	03.07-12.11	■
120 d (N47 D20 A)		Diesel	RWD	1995	145	197	03.07-12.11	■
120 d (N47 D20 C)		Diesel	RWD	1995	145	197	03.07-12.11	■
123 d (N47 D20 B)	not M technique	Diesel	RWD	1995	150	204	03.07-06.11	■
123 d (N47 D20 D)	not M technique	Diesel	RWD	1995	150	204	03.07-06.11	■
123 d (N47 D20 B)	-12/10	Diesel	RWD	1995	150	204	03.07-12.11	■

LISTA DE APLICACIONES - BUYERS GUIDE

123 d (N47 D20 D)	-12/10	Diesel	RWD	1995	150	204	03.07-12.11	■
3 Serie V (E93) 05.06-12.13					Convertible (Compact executive car-D Segment)			
318i (N43 B20 A)		Gasolina	RWD	1995	105	143	03.10-12.13	■
320i		Gasolina	RWD	1995	110	149	01.07-08.13	■
320i (N46 B20 B)	10/09-, Performance brakes	Gasolina	RWD	1995	115	156	01.07-08.13	■
320i (N43 B20 A)	10/09-, Performance brakes	Gasolina	RWD	1995	120	163	09.06-10.13	■
320i (N43 B20 A)	-12/12, 10/09-, Performance brakes	Gasolina	RWD	1995	125	170	03.07-10.13	■
323 i		Gasolina	FWD	2497	130	177	03.07-09.11	■
323 i (N52 B25 A)	discØ 300, Syst. Standard	Gasolina	RWD	2497	140	190	03.07-09.11	■
325i		Gasolina	RWD	2497	150	204	03.10-09.13	■
325i (N52 B25 A)		Gasolina	RWD	2497	160	218	12.06-02.10	■
325i (N53 B30 A)		Gasolina	RWD	2996	155	211	10.06-12.13	■
325i (N53 B30 A)	-12/12	Gasolina	RWD	2996	160	218	03.07-12.13	■
328i		Gasolina	FWD	2996	172	234	03.07-	■
320 d (N47 D20 C)	10/09-, Performance brakes	Diesel	RWD	1995	120	163	01.08-12.13	■
320 d (N47 D20 A)	10/09-, Performance brakes	Diesel	RWD	1995	130	177	03.08-02.10	■
320 d (N47 D20 C)	10/09-, Performance brakes	Diesel	RWD	1995	130	177	03.08-02.10	■
320 d (N47 D20 C)	-12/12	Diesel	RWD	1995	135	184	03.10-10.13	■
320 d (N47 D20 A)	10/09-, Performance brakes	Diesel	RWD	1995	145	197	09.07-02.10	■
320 d (N47 D20 C)	10/09-, Performance brakes	Diesel	RWD	1995	145	197	09.07-02.10	■
320 d (N47 D20 C)		Diesel	RWD	1995	147	200	03.10-10.13	■
3 Serie V (E92) 01.05-12.13					Coupe (Compact executive car-D Segment)			
316 i (N43 B16 AA)	Performance brakes	Gasolina	RWD	1599	90	122	09.07-06.13	■
320i		Gasolina	FWD	1955	112	152	01.10-	■
318i (N43 B20 A)		Gasolina	RWD	1995	105	143	03.10-12.13	■
320i		Gasolina	RWD	1995	110	150	11.06-06.07	■
320i (N46 B20 B)		Gasolina	RWD	1995	115	156	06.07-12.13	■
320i (N43 B20 A)		Gasolina	RWD	1995	120	163	01.07-06.13	■
320i (N43 B20 A)	-12/12	Gasolina	RWD	1995	125	170	03.07-06.13	■
323 i		Gasolina	FWD	2497	130	177	04.06-02.12	■
323 i (N52 B25 AE)		Gasolina	RWD	2497	140	190	04.06-02.12	■
323 i (N52 B25 BE)		Gasolina	RWD	2497	140	190	04.06-02.12	■
325i (N52 B25 A)		Gasolina	RWD	2497	150	204	03.10-10.13	■
325i (N52 B25 AF)		Gasolina	RWD	2497	150	204	03.10-10.13	■
325i (N52 B25 BF)		Gasolina	RWD	2497	150	204	03.10-10.13	■
325 i xDrive (N52 B25 A)		Gasolina	4WD	2497	150	204	03.10-04.13	■
325i (N52 B25 A)		Gasolina	RWD	2497	155	211	03.10-06.13	■
325i (N52 B25 AF)		Gasolina	RWD	2497	155	211	03.10-06.13	■
325i (N52 B25 BF)		Gasolina	RWD	2497	155	211	03.10-06.13	■
325 i xDrive (N52 B25 AF)		Gasolina	4WD	2497	155	211	03.10-04.13	■
325i (N52 B25 A)		Gasolina	RWD	2497	160	218	06.06-02.10	■
325i (N52 B25 AF)		Gasolina	RWD	2497	160	218	06.06-02.10	■
325i (N52 B25 BF)		Gasolina	RWD	2497	160	218	06.06-02.10	■
325 xi (N52 B25 A)		Gasolina	4WD	2497	160	218	09.06-02.10	■
325i (N53 B30 A)		Gasolina	RWD	2996	155	211	03.10-06.13	■
325 i xDrive (N53 B30 A)		Gasolina	4WD	2996	155	211	09.08-06.13	■
325 xi		Gasolina	4WD	2996	155	211	09.07-08.08	■
325i (N53 B30 A)	-12/12	Gasolina	RWD	2996	160	218	09.07-06.13	■
325 i xDrive (N53 B30 A)	-12/12	Gasolina	4WD	2996	160	218	09.08-12.13	■
325 xi (N53 B30 A)		Gasolina	4WD	2996	160	218	09.07-08.08	■

LISTA DE APLICACIONES - BUYERS GUIDE

328i (N51 B30 A)		Gasolina	RWD	2996	171	233	09.06-12.10	■
328 i xDrive		Gasolina	FWD	2996	171	233	09.09-	■
328i (N51 B30 A)	Performance brakes, discØ 300, -08/09, Syst. Standard	Gasolina	RWD	2996	172	234	06.06-06.13	■
328i (N52 B30 A)	Performance brakes, discØ 300, -08/09, Syst. Standard	Gasolina	RWD	2996	172	234	06.06-06.13	■
328 i xDrive (N51 B30 A)	discØ 300	Gasolina	4WD	2996	172	234	09.08-06.13	■
328 i xDrive (N52 B30 A)	discØ 300	Gasolina	4WD	2996	172	234	09.08-06.13	■
328 xi (N51 B30, N52 B30 A)	discØ 300	Gasolina	4WD	2996	172	234	09.06-08.08	■
320 d (N47 D20 A)		Diesel	RWD	1995	120	163	03.07-06.13	■
320 d (N47 D20 C)		Diesel	RWD	1995	120	163	03.07-06.13	■
320 d xDrive (N47 D20 C)		Diesel	4WD	1995	120	163	09.08-06.13	■
320 d (N47 D20 A)		Diesel	RWD	1995	130	177	09.06-02.10	■
320 d (N47 D20 C)		Diesel	RWD	1995	130	177	09.06-02.10	■
320 d xDrive (N47 D20 C)		Diesel	4WD	1995	130	177	09.08-02.10	■
320 xd		Diesel	4WD	1995	130	177	09.08-02.10	■
320 d (N47 D20 C)	-12/12	Diesel	RWD	1995	135	184	03.10-06.13	■
320 d xDrive (N47 D20 C)	-12/12	Diesel	4WD	1995	135	184	03.10-06.13	■
320 d (N47 D20 A)		Diesel	RWD	1995	145	197	09.06-02.10	■
320 d (N47 D20 C)		Diesel	RWD	1995	145	197	09.06-02.10	■
320 d xDrive (N47 D20 C)		Diesel	4WD	1995	145	197	09.08-02.10	■
320 d (N47 D20 C)		Diesel	RWD	1995	147	200	03.10-06.13	■
320 d xDrive (N47 D20 C)		Diesel	4WD	1995	147	200	03.10-06.13	■
3 Serie V (E90) 02.04-12.13							Saloon (Compact executive car-D Segment)	
316 i (N45 B16 A)	Performance brakes	Gasolina	RWD	1596	85	115	09.05-10.11	■
316 i (N45 B16 AC)	Performance brakes	Gasolina	RWD	1596	85	115	09.05-10.11	■
316 i (N43 B16 A)	Performance brakes	Gasolina	RWD	1599	90	122	09.07-10.11	■
316 i (N43 B16 AA)	Performance brakes	Gasolina	RWD	1599	90	122	09.07-10.11	■
1.8 316 i 15"	01/05-	Gasolina	FWD	1795			02.04-	■
1.8 316 i 15"	01/05-	Gasolina	FWD	1795			02.04-	■
318i (N46 B20 B)	discØ 300	Gasolina	RWD	1995	95	129	09.05-08.07	■
318i (N46 B20 B)	discØ 300	Gasolina	RWD	1995	100	136	09.07-10.11	■
318i (N46 B20 C)	discØ 300	Gasolina	RWD	1995	100	136	09.07-10.11	■
318i (N46 B20 CC)	discØ 300	Gasolina	RWD	1995	100	136	09.07-10.11	■
318i (N46 B20 CD)	discØ 300	Gasolina	RWD	1995	100	136	09.07-10.11	■
318i (N46 B20 E)	discØ 300	Gasolina	RWD	1995	100	136	09.07-10.11	■
318i (N43 B20 A)		Gasolina	RWD	1995	105	143	09.07-10.11	■
320i (N46 B20 B)	discØ 300	Gasolina	RWD	1995	110	150	12.04-08.07	■
320i (N46 B20 BD)	discØ 300	Gasolina	RWD	1995	110	150	12.04-08.07	■
320i (N46 B20 C)	discØ 300	Gasolina	RWD	1995	110	150	12.04-08.07	■
320i (N46 B20 CB)	discØ 300	Gasolina	RWD	1995	110	150	12.04-08.07	■
320i (N46 B20 B)	discØ 300	Gasolina	RWD	1995	115	156	02.07-12.11	■
320i (N46 B20 C)	discØ 300	Gasolina	RWD	1995	115	156	02.07-12.11	■
320i (N46 B20 CC)	discØ 300	Gasolina	RWD	1995	115	156	02.07-12.11	■
320i (N46 B20 CD)	discØ 300	Gasolina	RWD	1995	115	156	02.07-12.11	■
320i (N46 B20 E)	discØ 300	Gasolina	RWD	1995	115	156	02.07-12.11	■
320i (N43 B20 A)		Gasolina	RWD	1995	120	163	03.07-12.11	■
320i (N43 B20 A)		Gasolina	RWD	1995	125	170	09.07-10.11	■
320 si (N45 B20 A)		Gasolina	RWD	1997	127	173	09.05-08.06	■
325i		Gasolina	FWD	2494	141	189	09.07-12.08	■
325i		Gasolina	FWD	2494	224	300	09.08-12.10	■
323 i (N52 B25 A)		Gasolina	RWD	2497	130	177	09.05-02.07	■

LISTA DE APLICACIONES - BUYERS GUIDE

323 i (N52 B25 B)		Gasolina	RWD	2497	130	177	09.05-02.07	■
323 i (N52 B25 BE)		Gasolina	RWD	2497	130	177	09.05-02.07	■
323 i (N52 B25 BF)		Gasolina	RWD	2497	130	177	09.05-02.07	■
323 i (N52 B25 A)		Gasolina	RWD	2497	140	190	03.07-12.11	■
323 i (N52 B25 BF)		Gasolina	RWD	2497	140	190	03.07-12.11	■
325i (N52 B25 A)	Performance brakes, discØ 300	Gasolina	RWD	2497	155	211	01.06-12.11	■
325i (N52 B25 A)	Performance brakes, discØ 300	Gasolina	RWD	2497	160	218	12.04-12.11	■
325i (N52 B25 B)	Performance brakes, discØ 300	Gasolina	RWD	2497	160	218	12.04-12.11	■
325i (N52 B25 BF)	Performance brakes, discØ 300	Gasolina	RWD	2497	160	218	12.04-12.11	■
325 xi (N52 B25 A)	discØ 300	Gasolina	4WD	2497	160	218	09.05-08.08	■
325i (N52 B25)		Gasolina	RWD	2497	163	222	09.08-12.09	■
335 xi (N54 B30 A)		Gasolina	4WD	2979	224	305	09.06-06.08	■
3.0 328 i 24V 16"	01/07-	Gasolina	FWD	2995	169	230	02.04-	■
3.0 328 xi 24V 16"	01/07-	Gasolina	FWD	2995	169	230	02.04-	■
325i (N53 B30 A)	discØ 300, Performance brakes	Gasolina	RWD	2996	155	211	03.07-12.11	■
325 i xDrive (N53 B30 A)	discØ 300 discØ 312, not increas.payload	Gasolina	4WD	2996	155	211	09.08-10.11	■
325i (N53 B30 A)	Performance brakes, discØ 300	Gasolina	RWD	2996	160	218	03.07-12.11	■
325 i xDrive (N53 B30 A)	discØ 300 discØ 312, not increas.payload	Gasolina	4WD	2996	160	218	09.08-10.11	■
325 xi (N53 B30 A)	discØ 300	Gasolina	4WD	2996	160	218	09.07-08.08	■
325 xi (N52 B30 A)		Gasolina	4WD	2996	160	218	09.05-08.06	■
328 i xDrive		Gasolina	FWD	2996	171	234	09.08-12.10	■
328i (N51 B30 A)		Gasolina	RWD	2996	172	234	09.06-12.11	■
328 xi (N51 B30 A,N52 B30 A)		Gasolina	4WD	2996	172	234	09.06-12.08	■
316 d (N47 D20 C)	discØ 300	Diesel	RWD	1995	85	116	07.09-12.11	■
318 d (M47 D20 (204D4))	increased payload, Performance brakes	Diesel	RWD	1995	90	122	03.05-08.07	■
318 d (N47 D20 A)		Diesel	RWD	1995	100	136	09.07-10.11	■
318 d (N47 D20 C)		Diesel	RWD	1995	100	136	09.07-10.11	■
318 d (N47 D20 A)		Diesel	RWD	1995	105	143	02.07-10.11	■
318 d (N47 D20 C)		Diesel	RWD	1995	105	143	02.07-10.11	■
320 d (M47 D20 (204D4))	Performance brakes	Diesel	RWD	1995	110	150	12.04-09.07	■
320 d		Diesel	RWD	1995	115	156	12.04-09.07	■
320 d (M47 D20 (204D4))	not government vehic, M technique, discØ 300, Performance brakes	Diesel	RWD	1995	120	163	12.04-10.11	■
320 d (N47 D20 A)	not government vehic, M technique, discØ 300, Performance brakes	Diesel	RWD	1995	120	163	12.04-10.11	■
320 d (N47 D20 C)	not government vehic, M technique, discØ 300, Performance brakes	Diesel	RWD	1995	120	163	12.04-10.11	■
320 d xDrive (N47 D20 C)	-12/10, discØ 300	Diesel	4WD	1995	120	163	09.08-10.11	■
320 d (N47 D20 C)		Diesel	RWD	1995	125	170	01.07-12.09	■
320 d (N47 D20 A)	Performance brakes	Diesel	RWD	1995	130	177	09.07-02.10	■
320 d (N47 D20 C)	Performance brakes	Diesel	RWD	1995	130	177	09.07-02.10	■
320 d xDrive (N47 D20 A)	discØ 300	Diesel	4WD	1995	130	177	09.08-02.10	■
320 d xDrive (N47 D20 C)	discØ 300	Diesel	4WD	1995	130	177	09.08-02.10	■
320 xd		Diesel	4WD	1995	130	177	09.07-12.11	■
320 d (N47 D20 C)	Performance brakes	Diesel	RWD	1995	135	184	03.10-10.11	■
320 d xDrive (N47 D20 C)	discØ 300	Diesel	4WD	1995	135	184	03.10-10.11	■

LISTA DE APLICACIONES - BUYERS GUIDE

3 Serie V Touring (E91) 12.04-12.12					Estate (Compact executive car-D Segment)			
316 i (N43 B16 AA)		Gasolina	RWD	1599	90	122	09.08-06.12	■
318i (N46 B20 B)		Gasolina	RWD	1995	95	129	01.06-08.07	■
318i (N46 B20 B)	10/09-, Performance brakes	Gasolina	RWD	1995	100	136	09.07-03.12	■
318i		Gasolina	RWD	1995	100	136	05.07-05.12	■
318i (N43 B20 A)	Performance brakes, 10/09-	Gasolina	RWD	1995	105	143	05.07-05.12	■
320i (N46 B20 B)	10/09-, Performance brakes	Gasolina	RWD	1995	110	150	09.05-06.12	■
320i (N46 B20 C)	10/09-, Performance brakes	Gasolina	RWD	1995	110	150	09.05-06.12	■
320i (N46 B20 B)	Performance brakes, 10/09-	Gasolina	RWD	1995	115	156	09.05-06.12	■
320i (N46 B20 BD)	Performance brakes, 10/09-	Gasolina	RWD	1995	115	156	09.05-06.12	■
320i (N46 B20 C)	Performance brakes, 10/09-	Gasolina	RWD	1995	115	156	09.05-06.12	■
320i (N43 B20 A)	10/09-, Performance brakes	Gasolina	RWD	1995	120	163	02.07-05.12	■
320i (N43 B20 A)	10/09-, Performance brakes	Gasolina	RWD	1995	125	170	02.07-12.12	■
323 i (N52 B25 A)		Gasolina	RWD	2497	130	177	04.06-06.07	■
323 i (N52 B25 A)	discØ 300, Syst. Standard	Gasolina	RWD	2497	140	190	09.06-07.08	■
325i (N52 B25 A)	discØ 300	Gasolina	RWD	2497	155	211	12.04-12.10	■
325i (N52 B25 AF)	discØ 300	Gasolina	RWD	2497	155	211	12.04-12.10	■
325i (N52 B25 B)	discØ 300	Gasolina	RWD	2497	155	211	12.04-12.10	■
325i (N52 B25 BF)	discØ 300	Gasolina	RWD	2497	155	211	12.04-12.10	■
325i (N52 B25 A)	discØ 300	Gasolina	RWD	2497	160	218	12.04-08.08	■
325 xi (N52 B25 A)	discØ 300	Gasolina	4WD	2497	160	218	08.05-08.08	■
325i (N53 B30 A)	discØ 300	Gasolina	RWD	2996	155	211	09.07-06.12	■
325i (N53 B30 A)	discØ 300	Gasolina	RWD	2996	160	218	09.07-06.12	■
325 i xDrive (N53 B30 A)		Gasolina	4WD	2996	160	218	09.08-06.12	■
325 xi (N53 B30 A)		Gasolina	4WD	2996	160	218	09.07-08.08	■
328 i xDrive		Gasolina	FWD	2996	171	234	09.08-12.10	■
328 xi		Gasolina	FWD	2996	171	234	09.06-12.08	■
328i		Gasolina	FWD	2996	172	234	03.07-	■
316 d (N47 D20 C)		Diesel	RWD	1995	85	116	09.09-06.12	■
318 d (M47 D20 (204D4))		Diesel	RWD	1995	90	122	09.05-08.07	■
318 d (N47 D20 A)	10/09-, Performance brakes	Diesel	RWD	1995	100	136	07.07-06.12	■
318 d (N47 D20 C)	10/09-, Performance brakes	Diesel	RWD	1995	100	136	07.07-06.12	■
318 d (N47 D20 A)	Performance brakes, 10/09-	Diesel	RWD	1995	105	143	09.07-06.12	■
318 d (N47 D20 C)	Performance brakes, 10/09-	Diesel	RWD	1995	105	143	09.07-06.12	■
320 d (M47 D20 (204D4))		Diesel	RWD	1995	110	150	12.04-08.07	■
320 d (M47 D20 (204D4))	10/09-, Performance brakes	Diesel	RWD	1995	120	163	06.05-06.12	■
320 d (N47 D20 A)	10/09-, Performance brakes	Diesel	RWD	1995	120	163	06.05-06.12	■
320 d (N47 D20 C)	10/09-, Performance brakes	Diesel	RWD	1995	120	163	06.05-06.12	■
320 d xDrive (N47 D20 C)	not government vehic	Diesel	4WD	1995	120	163	07.09-06.12	■
320 d (N47 D20 A)	10/09-, Performance brakes	Diesel	RWD	1995	130	177	02.07-12.10	■
320 d (N47 D20 C)	10/09-, Performance brakes	Diesel	RWD	1995	130	177	02.07-12.10	■
320 d xDrive (N47 D20 C)	not government vehic	Diesel	4WD	1995	130	177	09.08-02.10	■
320 xd		Diesel	RWD	1995	130	177	02.08-02.10	■
320 d (N47 D20 C)	Performance brakes	Diesel	RWD	1995	135	184	03.10-05.12	■
320 d xDrive (N47 D20 C)	not government vehic	Diesel	4WD	1995	135	184	03.10-06.12	■
320 d (N47 D20 A)	10/09-, Performance brakes	Diesel	RWD	1995	145	197	02.07-02.10	■
320 d (N47 D20 C)	10/09-, Performance brakes	Diesel	RWD	1995	145	197	02.07-02.10	■
320 d xDrive (N47 D20 C)	not government vehic	Diesel	4WD	1995	145	197	02.08-02.10	■
320 d (N47 D20 C)	Performance brakes	Diesel	RWD	1995	147	200	03.10-05.12	■
320 d xDrive (N47 D20 C)	not government vehic	Diesel	4WD	1995	147	200	03.10-05.12	■

LISTA DE APLICACIONES - BUYERS GUIDE

X1 (E84) 03.09-06.15						SUV (Compact SUV-J Segment)				
sDrive 16i (N20 B16 A)	discØ 300	Gasolina	RWD	1592	105	143	03.13-06.15	■		
sDrive18i (N46 B20 B)	discØ 300	Gasolina	RWD	1995	100	136	03.10-06.15	■		
sDrive18i (N46 B20 BD)	discØ 300	Gasolina	RWD	1995	100	136	03.10-06.15	■		
2.0 xDrive 18i 4WD	01/09-	Gasolina	FWD	1995	105	143	03.09-	■		
sDrive18i (N46 B20 B)	discØ 300	Gasolina	RWD	1995	110	150	03.10-06.15	■		
sDrive18i (N46 B20 BD)	discØ 300	Gasolina	RWD	1995	110	150	03.10-06.15	■		
sDrive18i (N46 B20 C)	discØ 300	Gasolina	RWD	1995	110	150	03.10-06.15	■		
sDrive18i (N46 B20 CC)	discØ 300	Gasolina	RWD	1995	110	150	03.10-06.15	■		
sDrive18i (N46 B20 CD)	discØ 300	Gasolina	RWD	1995	110	150	03.10-06.15	■		
sDrive18i (N46 B20 E)	discØ 300	Gasolina	RWD	1995	110	150	03.10-06.15	■		
sDrive20i (N20 B20 A)	discØ 300 discØ 312	Gasolina	RWD	1997	135	184	09.11-06.15	■		
sDrive 20 i Flex		Gasolina	FWD	1997	135	184	08.14-	■		
xDrive20i (N20 B20 A)	discØ 300	Gasolina	4WD	1997	135	184	09.11-06.15	■		
sDrive28i (N20 B20 A)	discØ 300	Gasolina	RWD	1997	180	245	09.12-06.15	■		
xDrive28i (N20 B20 A)	discØ 300	Gasolina	4WD	1997	180	245	03.11-06.15	■		
xDrive 25 i (N52 B30 A)	discØ 300	Gasolina	4WD	2996	160	218	03.10-08.11	■		
xDrive 28 i Flex (N20 B20 A)		Gasol./Etanol	4WD	1997	180	245	04.11-06.15	■		
sDrive 16 d (N47 D20 C)	07/12-, discØ 300	Diesel	RWD	1995	85	116	04.12-06.15	■		
sDrive 18 d (N47 D20 C)	discØ 300	Diesel	RWD	1995	100	136	03.09-06.15	■		
xDrive 18 d (N47 D20 C)	discØ 300	Diesel	4WD	1995	100	136	03.09-06.15	■		
sDrive 18 d (N47 D20 C)	discØ 300	Diesel	RWD	1995	105	143	12.09-06.15	■		
xDrive 18 d (N47 D20 C)	discØ 300	Diesel	4WD	1995	105	143	10.09-06.15	■		
sDrive 20 d (N47 D20 C)	discØ 300	Diesel	RWD	1995	120	163	03.10-06.15	■		
xDrive 20 d (N47 D20 C)	discØ 300	Diesel	4WD	1995	120	163	03.10-06.15	■		
sDrive 20 d (N47 D20 C)	discØ 300, -02/10	Diesel	RWD	1995	130	177	10.09-06.15	■		
xDrive 20 d (N47 D20 C)	discØ 300, -02/10	Diesel	4WD	1995	130	177	09.09-06.12	■		
sDrive 20 d (N47 D20 C)	discØ 300	Diesel	RWD	1995	135	184	07.12-06.15	■		
xDrive 20 d (N47 D20 C)	discØ 300	Diesel	4WD	1995	135	184	07.12-06.15	■		
xDrive 23 d (N47 D20 D)	discØ 300 discØ 312	Diesel	4WD	1995	150	204	10.09-06.15	■		
xDrive 25 d (N47 D20 D)	07/12-, discØ 300	Diesel	4WD	1995	160	218	10.09-06.15	■		
BMW (BRILLIANCE)										
3 SERIES V (E90) 10.04-09.12						Saloon (Compact executive car-D Segment)				
318i		Gasolina	FWD	1995	100	136	01.09-09.12	■		
320i		Gasolina	FWD	1995	112	152	01.10-09.12	■		
320i		Gasolina	FWD	1995	115	156	12.07-12.08	■		
325i (N52 B25 BF)		Gasolina	RWD	2497	160	218	06.05-09.12	■		
3 SERIES VI (F30, F35) 07.12-						Saloon (Compact executive car-D Segment)				
318i (B38 B15 C)		Gasolina	RWD	1499	100	136	09.16-	■		
318 Li (B38 B15 C)		Gasolina	RWD	1499	100	136	09.16-	■		
316 i (M 271.820)		Gasolina	RWD	1598	100	136	08.13-	■		
316 i (N13 B16 A)		Gasolina	RWD	1598	100	136	08.13-	■		
316 Li		Gasolina	FWD	1598	100	136	08.13-	■		
320i		Gasolina	FWD	1997	135	184	07.12-	■		
320 Li		Gasolina	FWD	1997	135	184	07.12-	■		
328 i / Li		Gasolina	FWD	1997	180	245	05.14-	■		
328 Li		Gasolina	FWD	1997	180	245	07.12-	■		
328 Li		Gasolina	FWD	1997	180	245	07.12-	■		
328 Li		Gasolina	FWD	1997	180	245	05.14-	■		

LISTA DE APLICACIONES - BUYERS GUIDE

330i (B48 B20 D)	Gasolina	RWD	1997	185	252	09.16-	■
320i (B48 B20 C)	Gasolina	RWD	1998	135	184	09.16-	■
320 Li (B48 B20 C)	Gasolina	RWD	1998	135	184	01.17-	■
320 Li xDrive (B48 B20 C)	Gasolina	RWD	1998	135	184	01.17-	■
330 Li (B48 B20 D)	Gasolina	RWD	1998	185	252	09.16-	■
330 Li xDriver (B48 B20 D)	Gasolina	RWD	1998	185	252	01.17-	■
X1 (E84) 03.12-				Estate (Compact SUV-J Segment)			
sDrive18i	Gasolina	FWD	1995	110	150	03.12-	■
sDrive18i (N46 B20 B,N46 B20 CC,N46 B20 CD,N46 B20 E)	Gasolina	RWD	1995	110	150	03.12-12.14	■
sDrive18i	Gasolina	FWD	1997	115	156	06.14-	■
sDrive20i	Gasolina	FWD	1997	135	184	03.12-	■
xDrive20i	Gasolina	FWD	1997	135	184	03.12-	■
xDrive28i	Gasolina	FWD	1997	180	245	03.12-	■
ZINORO							
1E 12.14-				SUV ()			
EV (IB1P25B)	Eléctrico	FWD		125	170	12.14-12.17	■