

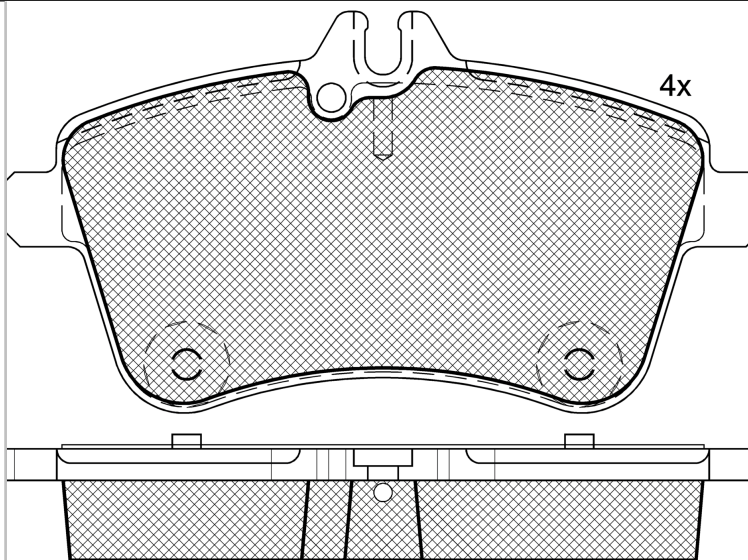
LISTA DE APLICACIONES - BUYERS GUIDE

181677-700

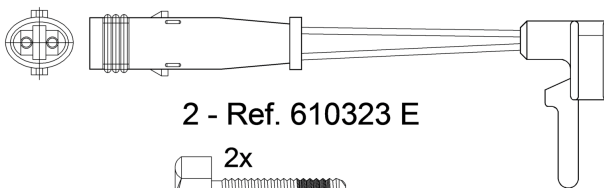


Qty: 300

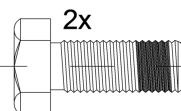
Weight: 1.858



2x L = 100 mm.



2 - Ref. 610323 E



1-Ref. 690022

181677-700

E 9 90R-01111/1008



Trw

131.6x69.96x20.1

WVA

23881

FMSI

D1357-8466

MAKE

MERCEDES-BENZ



Trac.	CC	Kw	CV
-------	----	----	----



Front / Rear

MERCEDES-BENZ

							Hatchback (Compact car-C Segment)			
A-Class II (W169) 04.04-12.13										
A 200 (169.033, 169.333) (M 266.960)		Gasolina	FWD	2034	100	136	09.04-06.12	■		
A 200 TURBO (169.034, 169.334) (M 266.980)		Gasolina	FWD	2034	142	193	09.05-06.12	■		
E-CELL (169.090) (EM 780.992)		Eléctrico	FWD		50	68	12.10-06.12	■		
A 200 CDI (169.308, 169.008) (OM 640.941)		Diesel	FWD	1991	100	136	09.04-06.12	■		
A 200 CDI (169.008, 169.308) (OM 640.941)		Diesel	FWD	1991	103	140	09.04-06.12	■		
B-Class Sports Tourer (W245) 03.05-11.11							Hatchback (Compact MPV-M1 Segment)			
F-CELL (242.890)		Hidrógeno	FWD		100	136	01.10-11.11	■		
B 200 (245.233) (M 266.960)		Gasolina	FWD	2034	100	136	03.05-11.11	■		
B 200 TURBO (245.234) (M 266.980)		Gasolina	FWD	2034	142	193	03.05-11.11	■		
B 170 NGT (245.233) (M 266.960)		Gasol./Gas (CNG)	FWD	2034	85	116	04.08-11.11	■		
B 180 NGT (245.233) (M 266.960)		Gasol./Gas (CNG)	FWD	2034	85	116	04.08-11.11	■		
B 180 CDI (245.207) (OM 640.940)		Diesel	FWD	1991	80	109	03.05-11.11	■		
B 200 CDI (245.208) (OM 640.941)		Diesel	FWD	1991	100	136	03.05-11.11	■		
B 200 CDI (245.208) (OM 640.941)		Diesel	FWD	1991	103	140	03.05-11.11	■		