

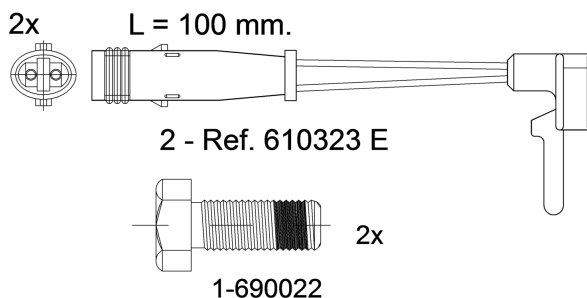
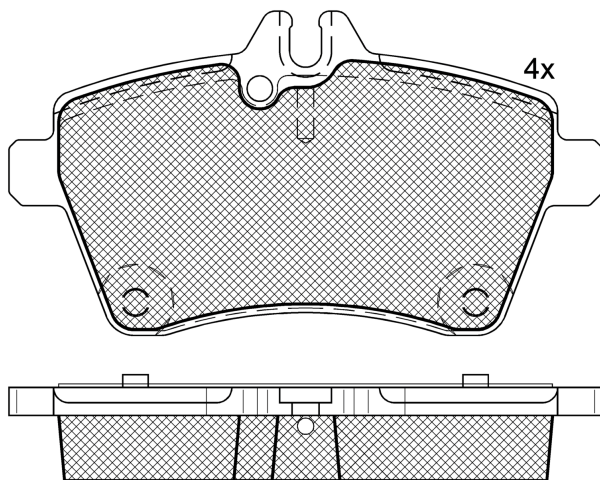
LISTA DE APLICACIONES - BUYERS GUIDE

181678-700



Qty: 300 Weight: 1.485

O.E.M.	MAKE
169 420 02 20	MERCEDES-BENZ
169 420 03 20	MERCEDES-BENZ
169 420 07 20	MERCEDES-BENZ
169 420 09 20	MERCEDES-BENZ
169 420 10 20	MERCEDES-BENZ
169 420 13 20	MERCEDES-BENZ
169 420 18 20	MERCEDES-BENZ
169 420 20 20	MERCEDES-BENZ
169 420 21 20	MERCEDES-BENZ



181678-700

E 9 90R-01111/1146



Trw

116.5x63.8x19

WVA	FMSI
24077	D2357-9587
MAKE	
MERCEDES-BENZ	



Trac.	CC	Kw	CV			Front / Rear
-------	----	----	----	--	--	--------------

MERCEDES-BENZ

A-Class II (W169) 04.04-12.13							Hatchback (Compact car-C Segment)		
A 150 (169.031, 169.331) (M 266.920)		Gasolina	FWD	1498	70	95	09.04-06.12	■	
A 160 (169.031, 169.331) (M 266.920)		Gasolina	FWD	1498	70	95	04.09-06.12	■	
A 170 (169.032, 169.332) (M 266.940)		Gasolina	FWD	1699	85	116	09.04-06.12	■	
A 180 (169.032, 169.332) (M 266.940)		Gasolina	FWD	1699	85	116	04.09-06.12	■	
A 200 (169.033, 169.333) (M 266.960)		Gasolina	FWD	2034	100	136	09.04-06.12	■	
E-CELL (169.090) (EM 780.992)		Eléctrico	FWD		50	68	12.10-06.12	■	
A 160 CDI (169.006, 169.306) (OM 640.942)	-06/06, ch. -J342201, not increas.payload, increased payload, Manual Transmission	Diesel	FWD	1991	60	82	09.04-06.12	■	
A 180 CDI (169.007, 169.307) (OM 640.940)		Diesel	FWD	1991	80	109	09.04-06.12	■	
A 200 CDI (169.308, 169.008) (OM 640.941)		Diesel	FWD	1991	100	136	09.04-06.12	■	
A 200 CDI (169.008, 169.308) (OM 640.941)	increased payload	Diesel	FWD	1991	103	140	09.04-06.12	■	
B-Class Sports Tourer (W245) 03.05-11.11							Hatchback (Compact MPV-M1 Segment)		
F-CELL (242.890)		Hidrógeno	FWD		100	136	01.10-11.11	■	
B 150 (245.231) (M 266.920)		Gasolina	FWD	1498	70	95	03.05-11.11	■	
B 160 (245.231) (M 266.920)		Gasolina	FWD	1498	70	95	04.09-11.11	■	
B 170 (245.232) (M 266.940)		Gasolina	FWD	1699	85	116	03.05-11.11	■	
B 180 (245.232) (M 266.940)		Gasolina	FWD	1699	85	116	04.09-11.11	■	
B 170 NGT (245.233) (M 266.960)		Gasol./Gas (CNG)	FWD	2034	85	116	04.08-11.11	■	
B 180 CDI (245.207) (OM 640.940)	increased payload	Diesel	FWD	1991	80	109	03.05-11.11	■	
B 200 CDI (245.208) (OM 640.941)	increased payload	Diesel	FWD	1991	100	136	03.05-11.11	■	
B 200 CDI (245.208) (OM 640.941)	increased payload	Diesel	FWD	1991	103	140	03.05-11.11	■	

LISTA DE APLICACIONES - BUYERS GUIDE