


LISTA DE APLICACIONES - BUYERS GUIDE

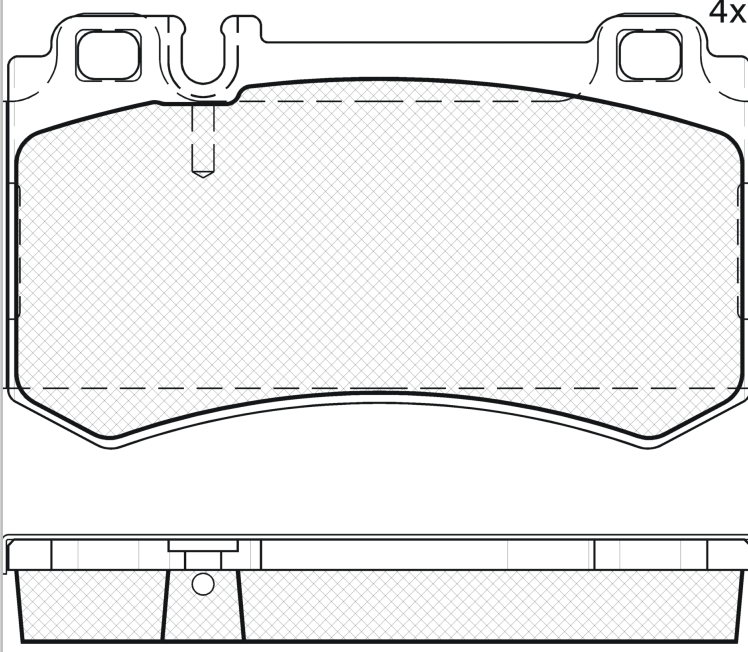
181680



8 424073 092663

Qty: 944 Weight: 1.508


O.E.M.	MAKE
000 423 04 30	MERCEDES-BENZ
003 420 62 20	MERCEDES-BENZ
003 420 94 20	MERCEDES-BENZ
003420622041	MERCEDES-BENZ
004 420 47 20	MERCEDES-BENZ
004 420 49 20	MERCEDES-BENZ
004 420 78 20	MERCEDES-BENZ
005 420 41 20	MERCEDES-BENZ
005 420 61 20	MERCEDES-BENZ
005 420 67 20	MERCEDES-BENZ



4x

181680

E 9 90R-01110/705





Brembo

111.6x64.32x15.8

WVA	FMSI
23478	D984-7886 D984-8219

MAKE
MERCEDES-BENZ



Trac.	CC	Kw	CV		 Front / Rear
-------	----	----	----	---	---

MERCEDES-BENZ								
CL-Class II (C215) 03.99-12.06						Coupe (Compact executive car-D Segment)		
CL 55 AMG Kompressor (215.374) (M 113.991)		Gasolina	RWD	5439	368	500	06.02-03.06	■
CL 600 (215.376) (M 275.950)	-12/05	Gasolina	RWD	5513	368	500	09.02-03.06	■
CL 600 (215.378) (M 137.970)	01/02-	Gasolina	RWD	5786	270	367	03.99-03.06	■
CL 65 AMG (215.379) (M 275.980)	-12/05	Gasolina	RWD	5980	450	612	09.03-03.06	■
CL 63 AMG (215.000) (M 137.980)	01/03-	Gasolina	RWD	6258	326	444	09.01-03.06	■
CLK-Class II (A209) 06.02-12.13						Convertible (Executive car-E Segment)		
CLK 55 AMG (209.476) (M 113.987)		Gasolina	RWD	5439	270	367	06.02-03.10	■
CLK AMG DTM (209.476) (M 113.994)		Gasolina	RWD	5439	428	582	06.04-10.05	■
CLK 63 AMG (209.477) (M 156.982)		Gasolina	RWD	6208	354	481	04.06-03.10	■
CLK 63 AMG (209.477)		Gasolina	RWD	6208	354	481	09.06-12.09	■
CLK-Class II (C209) 05.02-12.13						Coupe (Executive car-E Segment)		
CLK 55 AMG (209.376) (M 113.987)		Gasolina	RWD	5439	270	367	09.02-05.09	■
CLK DTM AMG (209.376) (M 113.994)		Gasolina	RWD	5439	428	582	06.04-10.05	■
CLK 63 AMG (209.377) (M 156.982)		Gasolina	RWD	6208	354	481	04.06-05.09	■
CLK 63 AMG (209.377) (M 156.982)		Gasolina	RWD	6208	373	507	05.07-05.09	■
CLS-Class (C219) 10.04-12.12						Coupe (Executive car-E Segment)		
CLS 55 AMG (219.376) (M 113.990)		Gasolina	RWD	5439	350	476	01.05-12.10	■
CLS 55 AMG (219.376)		Gasolina	RWD	5439	350	476	09.05-12.06	■
CLS 63 AMG (219.377) (M 156.983)		Gasolina	RWD	6208	378	514	04.06-12.10	■
E-Class III (W211) 03.02-03.09						Saloon (Executive car-E Segment)		
E 320 (211.065) (M 112.949)		Gasolina	RWD	3199	165	224	03.02-12.08	■

LISTA DE APLICACIONES - BUYERS GUIDE

E 320 4-matic (211.082) (M 112.954)		Gasolina	4WD	3199	165	224	03.03-12.08	■	
E 500 4-matic (211.083) (M 113.969)		Gasolina	4WD	4966	225	306	10.03-12.08	■	
E 55 AMG Kompressor (211.076) (M 113.990)		Gasolina	RWD	5439	350	476	10.02-12.08	■	
E-Class III T-Model (S211) 02.03-07.09							Estate (Executive car-E Segment)		
E 320 T 4-matic (211.282) (M 112.954)	-12/08	Gasolina	4WD	3199	165	224	07.03-07.09	■	
E 500 T 4-matic (211.283) (M 113.969)	-12/08	Gasolina	4WD	4966	225	306	10.03-07.09	■	
E 55 T AMG Kompressor (211.276) (M 113.990)	-12/08	Gasolina	RWD	5439	350	476	07.03-07.09	■	
E 55 T AMG Kompressor (211.276)		Gasolina	RWD	5439	350	476	09.05-12.06	■	
S-Class IV (W220, V220) 09.98-12.06							Saloon (Luxury car-F Segment)		
S 500, S 500 L (220.075, 220.175, 220.875) (M 113.960)	Eq.V_ No para modelo 2002, 10/02-, ch. A265054-	Gasolina	RWD	4966	225	306	10.98-08.05	■	
S 500, S 500 L (220.075, 220.175, 220.875) (M 113.966)	Eq.V_ No para modelo 2002, 10/02-, ch. A265054-	Gasolina	RWD	4966	225	306	10.98-08.05	■	
S 55 AMG (220.073, 220.173) (M 113.986)	01/05-	Gasolina	RWD	5439	265	360	04.99-08.05	■	
S 55 AMG Kompressor (220.074, 220.174) (M 113.991)		Gasolina	RWD	5439	368	500	06.02-08.05	■	
S 600, S 600 L (220.176) (M 275.950)	01/05-, not armoured vehicl.	Gasolina	RWD	5513	368	500	09.02-08.05	■	
S 65 AMG, S 65 AMG L (220.179) (M 275.980)		Gasolina	RWD	5980	450	612	03.04-08.05	■	
S 63 AMG (220.000) (M 137.980)	-12/02	Gasolina	RWD	6258	326	444	09.01-08.05	■	
S-Class V (C216) 05.06-12.13							Coupe (Luxury car-F Segment)		
CL 500 (216.371) (M 273.961)		Gasolina	RWD	5461	285	388	06.06-12.13	■	
CL 500 4-matic (216.386) (M 273.968)		Gasolina	4WD	5461	285	388	02.08-12.13	■	
CL 600 (216.376) (M 275.953)		Gasolina	RWD	5513	380	517	05.06-12.13	■	
CL 65 AMG (216.379) (M 275.982)	-12/07	Gasolina	RWD	5980	450	612	10.06-12.10	■	
S-Class V (W221, V221) 09.05-12.17							Saloon (Luxury car-F Segment)		
S 550 V32	01/07-	Gasolina	FWD	5495	281	382	09.05-	■	
S 600 (221.176) (M 275.953)		Gasolina	RWD	5513	380	517	12.05-12.13	■	
S 65 AMG (221.179) (M 275.982)	-12/07	Gasolina	RWD	5980	450	612	12.05-12.13	■	
S 420 CDI (221.028, 221.128) (OM 629.911)		Diesel	RWD	3996	235	320	10.06-12.09	■	
S 450 CDI (221.028, 221.128) (OM 629.911)		Diesel	RWD	3996	235	320	01.09-12.13	■	
SL-Class IV (R230) 10.01-12.13							Convertible (Grand Tourer-S Segment)		
55 AMG (230.474) (M 113.992)		Gasolina	RWD	5439	350	476	10.01-06.02	■	
55 AMG (230.474)		Gasolina	RWD	5439	350	476	09.03-12.05	■	
55 AMG Kompressor (230.474) (M 113.992)		Gasolina	RWD	5439	368	500	06.02-01.12	■	
55 AMG (230.472) (M 113.995)		Gasolina	RWD	5439	380	517	03.06-01.12	■	
600 (230.476) (M 275.951)		Gasolina	RWD	5513	368	500	04.03-01.12	■	
600 (230.477) (M 275.954)		Gasolina	RWD	5513	380	517	03.06-01.12	■	
65 AMG (230.479) (M 275.981)	-12/07	Gasolina	RWD	5980	450	612	03.04-01.12	■	
65 AMG Black Series (230.479) (M 275.983)		Gasolina	RWD	5980	493	670	07.08-01.12	■	
SLK-Class II (R171) 03.04-12.15							Convertible (Sports car-S Segment)		
55 AMG (171.473) (M 113.989)	Type No EE.UU	Gasolina	RWD	5439	265	360	06.04-02.11	■	
55 AMG (171.473)		Gasolina	RWD	5439	265	360	09.09-12.11	■	
55 AMG (171.473) (M 113.989)		Gasolina	RWD	5439	294	400	06.06-02.11	■	
SLR-Class (R199) 10.06-							Convertible (Grand Tourer-S Segment)		
5.4 (199.476) (M 155.980)		Gasolina	RWD	5439	460	626	04.07-	■	
5.5 SLR McLaren		Gasolina	RWD	5439	460	626	04.07-12.09	■	
5.4 (199.976, 199.476) (M 155.980)		Gasolina	RWD	5439	478	650	10.06-	■	
SLR-Class (R199) 04.04-							Coupe (Grand Tourer-S Segment)		
5.4 (199.376) (M 155.980)		Gasolina	RWD	5439	460	626	04.04-	■	

LISTA DE APLICACIONES - BUYERS GUIDE

5.4 (199.376)		Gasolina	RWD	5439	460	626	09.04-
5.4 722 Edition (199.376) (M 155.980)		Gasolina	RWD	5439	478	650	10.06-

