

# LISTA DE APLICACIONES - BUYERS GUIDE

## 181682-701

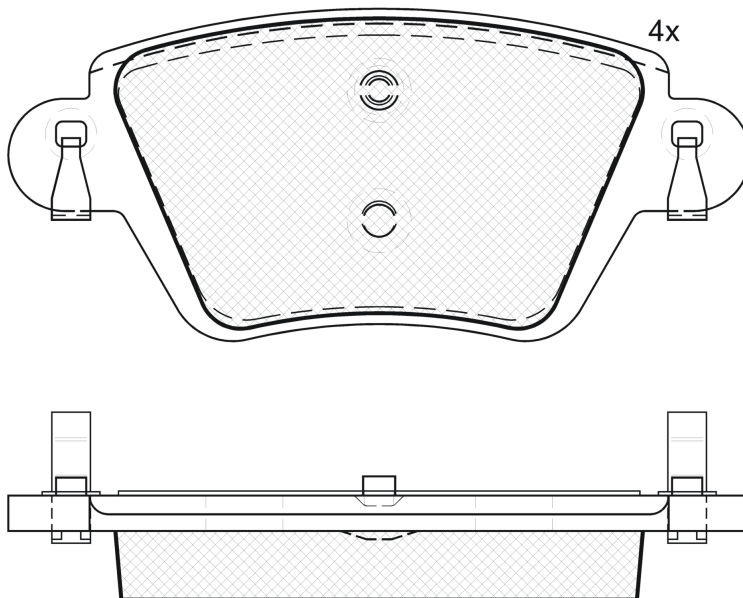


8 424073 092694

Qty: 944

Weight: 1.200

O.E.M.	MAKE
77 01 207 187	RENAULT
86 60 004 481	RENAULT
86 71 016 712	RENAULT



4x

## 181682-701

E 9 90R-01110/1244



Bosch

115.55x51.75x16.9

**WVA**

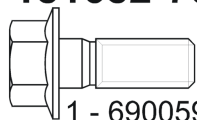
23557

**MAKE**

NISSAN

RENAULT

## 181682-701



2x

1 - 690059



Trac.	CC	Kw	CV
-------	----	----	----



Front / Rear

### NISSAN

#### KUBISTAR (X76) 08.03-10.09

#### MPV (Large MPV-M1 Segment)

Engine	Trac.	CC	Kw	CV	Period	Application
1.6 16V	Gasolina	FWD	1598	70	95 08.03-10.09	■
1.5 dCi	Diesel	FWD	1461	60	82 08.03-10.09	■
1.5 dCi 85	Diesel	FWD	1461	62	85 04.06-10.09	■

#### KUBISTAR (X76) 08.03-

#### Van (LCVs-N1 Segment)

Engine	Trac.	CC	Kw	CV	Period	Application
1.6 16V (K4M 752)	Gasolina	FWD	1598	70	95 08.03-10.09	■
1.5 dCi (K9K 722)	Diesel	FWD	1461	60	82 08.03-10.09	■

### RENAULT

#### KANGOO (KC0/1\_) 08.97-

#### MPV (Mini MPV-M1 Segment)

Engine	Trac.	CC	Kw	CV	Period	Application
1.6 16V (K4M 706)	Gasolina	FWD	1598	70	95 06.01-03.18	■
1.6 16V (K4M 730)	Gasolina	FWD	1598	70	95 06.01-03.18	■
1.6 16V (K4M 750)	Gasolina	FWD	1598	70	95 06.01-03.18	■
1.6 16V (K4M 752)	Gasolina	FWD	1598	70	95 06.01-03.18	■
1.6 16V (K4M 753)	Gasolina	FWD	1598	70	95 06.01-03.18	■
1.6 16V 4x4 (KC0P, KC0S, KC0L) (K4M 750)	Gasolina	4WD	1598	70	95 10.01-	■
1.6 16V 4x4 (KC0P, KC0S, KC0L) (K4M 752)	Gasolina	4WD	1598	70	95 10.01-	■
1.6 16V 4x4 (KC0P, KC0S, KC0L) (K4M 753)	Gasolina	4WD	1598	70	95 10.01-	■
1.9 dCi 4x4 (KC0V) (F9Q 782)	Diesel	4WD	1870	59	80 10.01-	■
1.9 dCi 4x4 (KC0V) (F9Q 790)	Diesel	4WD	1870	59	80 10.01-	■
1.9 dCi 4x4 (F9Q 790)	Diesel	4WD	1870	62	84 10.03-	■

#### KANGOO EXPRESS (FC0/1\_) 08.97-

#### Box Body/MPV (LCVs-N1 Segment)

Engine	Trac.	CC	Kw	CV	Period	Application
1.6 16V (K4M 706)	Gasolina	FWD	1598	70	95 10.01-03.18	■
1.6 16V (K4M 752)	Gasolina	FWD	1598	70	95 10.01-03.18	■

## LISTA DE APLICACIONES - BUYERS GUIDE

1.6 16V 4x4 (FC0L, FC0P, FC0S) (K4M 750)	-12/08	Gasolina	4WD	1598	70	95	10.01-
1.6 16V 4x4 (FC0L, FC0P, FC0S) (K4M 752)	-12/08	Gasolina	4WD	1598	70	95	10.01-
1.6 16V 4x4 (FC0L, FC0P, FC0S) (K4M 753)	-12/08	Gasolina	4WD	1598	70	95	10.01-
1.6 16V bivalent (K4M 850)	-12/08	Gasol./Gas (CNG)	FWD	1598	60	82	06.05-
1.5 dCi (FC08, FC09) (K9K 702)	-12/08	Diesel	FWD	1461	60	82	04.03-
1.5 dCi (FC08, FC09) (K9K 710)	-12/08	Diesel	FWD	1461	60	82	04.03-
1.5 dCi (FC1G) (K9K 718)	-12/08	Diesel	FWD	1461	62	84	06.05-
1.9 dCi 4x4 (FC0V) (F9Q 782)	-12/08	Diesel	4WD	1870	59	80	10.01-
1.9 dCi 4x4 (FC0V) (F9Q 790)	-12/08	Diesel	4WD	1870	59	80	10.01-
1.9 dCi (FC0V) (F9Q 782)	-12/08	Diesel	FWD	1870	62	84	07.03-
1.9 dCi (FC0V) (F9Q 790)	-12/08	Diesel	FWD	1870	62	84	07.03-
1.9 dCi 4x4 (FC0V) (F9Q 790)	-12/08	Diesel	4WD	1870	62	84	07.03-

