

LISTA DE APLICACIONES - BUYERS GUIDE

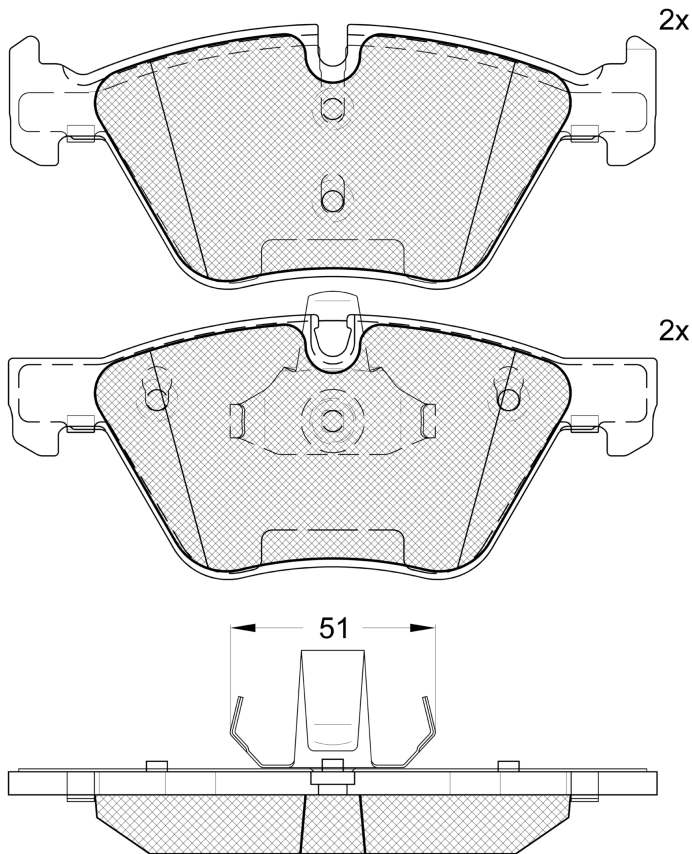
181683



Qty: 300

Weight: 1.920

O.E.M.	MAKE
34 11 2 288 880	BMW
34 11 2 339 267	BMW
34 11 2 339 268	BMW
34 11 6 763 617	BMW
34 11 6 763 618	BMW



181683

E 9 90R-01111/1315



Ate - Teves

154.5x63.4x20.3
155x63.4x20.3

WVA	FMSI
23793	D1061-7967
23794	

MAKE
BMW



Trac.	CC	Kw	CV					
						Front / Rear		

BMW

3 Serie V (E92) 01.05-12.13						Coupe (Compact executive car-D Segment)			
330 i xDrive (N53 B30 A)		Gasolina	4WD	2996	200	272	03.10-06.13	■	
330 d xDrive (N57 D30 A)		Diesel	4WD	2993	180	245	02.10-06.13	■	
330 xd (N57 D30 A)		Diesel	4WD	2993	180	245	03.08-02.10	■	
3 Serie V (E90) 02.04-12.13						Saloon (Compact executive car-D Segment)			
325 i xDrive (N53 B30 A)		Gasolina	4WD	2996	155	211	09.08-10.11	■	
325 i xDrive (N53 B30 A)		Gasolina	4WD	2996	160	218	09.08-10.11	■	
325 xi (N52 B30 A)		Gasolina	4WD	2996	160	218	09.05-08.06	■	
330 i xDrive (N53 B30 A)		Gasolina	4WD	2996	200	272	09.08-10.11	■	
320 d xDrive (N47 D20 C)		Diesel	4WD	1995	120	163	09.08-10.11	■	
320 d xDrive (N47 D20 C)		Diesel	4WD	1995	135	184	03.10-10.11	■	
330 d xDrive (N57 D30 A)		Diesel	4WD	2993	180	245	09.08-10.11	■	
3 Serie V Touring (E91) 12.04-12.12						Estate (Compact executive car-D Segment)			
325 i xDrive (N53 B30 A)		Gasolina	4WD	2996	155	211	09.08-06.12	■	
325 i xDrive (N53 B30 A)		Gasolina	4WD	2996	160	218	09.08-06.12	■	
330 i xDrive (N53 B30 A)		Gasolina	4WD	2996	200	272	09.07-06.12	■	
330 xi (N53 B30 A)		Gasolina	4WD	2996	200	272	09.07-06.12	■	
320 d xDrive (N47 D20 C)		Diesel	4WD	1995	120	163	07.09-06.12	■	
320 d xDrive (N47 D20 C)		Diesel	4WD	1995	135	184	03.10-06.12	■	
320 d xDrive (N47 D20 C)		Diesel	4WD	1995	147	200	03.10-05.12	■	
330 d xDrive (N57 D30 A)		Diesel	4WD	2993	180	245	01.09-06.12	■	

LISTA DE APLICACIONES - BUYERS GUIDE

5 Serie V (E60) 12.01-03.10						Saloon (Executive car-E Segment)			
520 i (N46 B20 B)		Gasolina	RWD	1995	115	156	09.07-02.10	■	
520 i (N43 B20 A)		Gasolina	RWD	1995	120	163	12.06-03.10	■	
520 i (N43 B20 A)	not government vehic, discØ 310	Gasolina	RWD	1995	125	170	09.07-12.09	■	
520 i (M54 B22 (226S1))	Manual Transmission, discØ 310	Gasolina	RWD	2171	125	170	07.03-03.10	■	
525 i		Gasolina	RWD	2494	137	186	07.03-12.09	■	
525 i (M54 B25 (256S5))	not government vehic, discØ 310	Gasolina	RWD	2494	141	192	09.03-02.05	■	
523 i (N52 B25 A)	not government vehic, discØ 310	Gasolina	RWD	2497	130	177	10.04-02.07	■	
523 i (N52 B25 B)	not government vehic, discØ 310	Gasolina	RWD	2497	130	177	10.04-02.07	■	
523 i (N52 B25 BE)	not government vehic, discØ 310	Gasolina	RWD	2497	130	177	10.04-02.07	■	
523 i (N52 B25 A)	not government vehic, not increas.payload	Gasolina	RWD	2497	140	190	03.07-12.09	■	
523 i (N52 B25 BE)	not government vehic, not increas.payload	Gasolina	RWD	2497	140	190	03.07-12.09	■	
523 i (N53 B25 A)		Gasolina	RWD	2497	140	190	03.07-12.09	■	
525 i (N52 B25 A)	not government vehic, discØ 310	Gasolina	RWD	2497	155	211	07.05-03.10	■	
525 i (N52 B25 A)	discØ 310	Gasolina	RWD	2497	160	218	03.05-12.09	■	
525 i (N52 B25 B)	discØ 310	Gasolina	RWD	2497	160	218	03.05-12.09	■	
525 i (N52 B25 BF)	discØ 310	Gasolina	RWD	2497	160	218	03.05-12.09	■	
525 i (N53 B30 A)	discØ 310	Gasolina	RWD	2996	155	211	01.07-03.10	■	
525 i (N53 B30 A)		Gasolina	RWD	2996	160	218	01.07-03.10	■	
530i (N53 B30 A)		Gasolina	RWD	2996	200	272	03.07-12.09	■	
520 d (M47 D20 (204D4))	not government vehic, not increas.payload, discØ 310	Diesel	RWD	1995	110	150	09.05-02.07	■	
520 d (M47 D20 (204D4))	not government vehic, not increas.payload, discØ 310	Diesel	RWD	1995	120	163	09.05-12.09	■	
520 d (N47 D20 C)	not government vehic, not increas.payload, discØ 310	Diesel	RWD	1995	120	163	09.05-12.09	■	
520 d (N47 D20 A)	not government vehic, not increas.payload, discØ 310	Diesel	RWD	1995	130	177	09.07-12.09	■	
520 d (N47 D20 C)	not government vehic, not increas.payload, discØ 310	Diesel	RWD	1995	130	177	09.07-12.09	■	
525 d (M57 D25 (256D2))	not government vehic, discØ 310	Diesel	RWD	2497	120	163	12.04-03.10	■	
525 d (M57 D25 (256D2))	not government vehic, discØ 310	Diesel	RWD	2497	130	177	06.04-03.10	■	
525 d (M57 D30 (306D3))	not government vehic, not increas.payload	Diesel	RWD	2993	145	197	01.07-03.10	■	
525 d xDrive (M57 D30 (306D3))		Diesel	4WD	2993	145	197	09.08-12.09	■	
525 xd (M57 D30 (306D3))		Diesel	4WD	2993	145	197	09.07-08.08	■	
530 d (M57 D30 (306D3))		Diesel	RWD	2993	170	231	09.05-03.07	■	
530 xd (M57 D30 (306D3))		Diesel	4WD	2993	170	231	02.05-02.07	■	
530 d (M57 D30 (306D3))		Diesel	RWD	2993	173	235	02.07-12.09	■	
5 Serie V Touring (E61) 03.04-12.10						Estate (Executive car-E Segment)			
520 i (N43 B20 A)		Gasolina	RWD	1995	120	163	07.07-08.10	■	
520 i (N43 B20 A)	not government vehic	Gasolina	RWD	1995	125	170	09.07-12.10	■	
525 i (M54 B25 (256S5))	not government vehic	Gasolina	RWD	2494	141	192	06.04-12.10	■	
523 i (N52 B25 A)	not government vehic, not increas.payload	Gasolina	RWD	2497	130	177	10.04-02.07	■	
523 i (N52 B25 B)	not government vehic, not increas.payload	Gasolina	RWD	2497	130	177	10.04-02.07	■	
523 i (N52 B25 BE)	not government vehic, not increas.payload	Gasolina	RWD	2497	130	177	10.04-02.07	■	
523 i (N52 B25 A)	not government vehic, not increas.payload	Gasolina	RWD	2497	140	190	03.07-01.10	■	

LISTA DE APLICACIONES - BUYERS GUIDE

523 i (N53 B25 A)		Gasolina	RWD	2497	140	190	01.07-12.10	■	
525 i (N52 B25 A)		Gasolina	RWD	2497	155	211	03.05-05.10	■	
525 i (N52 B25 A)		Gasolina	RWD	2497	160	218	03.05-05.10	■	
525 i (N52 B25 B)		Gasolina	RWD	2497	160	218	03.05-05.10	■	
525 i (N52 B25 BF)		Gasolina	RWD	2497	160	218	03.05-05.10	■	
520 d (M47 D20 (204D4))	not government vehic	Diesel	RWD	1995	110	150	09.05-02.07	■	
520 d (M47 D20 (204D4))	not government vehic	Diesel	RWD	1995	120	163	04.05-05.10	■	
520 d (N47 D20 C)	not government vehic	Diesel	RWD	1995	120	163	04.05-05.10	■	
520 d (N47 D20 A)		Diesel	RWD	1995	130	177	09.07-05.10	■	
520 d (N47 D20 C)		Diesel	RWD	1995	130	177	09.07-05.10	■	
525 d (M57 D25 (256D2))	not government vehic	Diesel	RWD	2497	120	163	03.04-03.07	■	
525 d (M57 D25 (256D2))	not government vehic	Diesel	RWD	2497	130	177	03.04-03.07	■	
525 d (M57 D30 (306D3))	not government vehic, not increas.payload	Diesel	RWD	2993	145	197	03.07-05.10	■	
525 d xDrive (M57 D30 (306D3))		Diesel	4WD	2993	145	197	09.08-05.10	■	
525 xd (M57 D30 (306D3))		Diesel	4WD	2993	145	197	09.07-09.08	■	
530 d (M57 D30 (306D3))		Diesel	RWD	2993	170	231	02.05-02.07	■	
530 xd (M57 D30 (306D3))		Diesel	4WD	2993	170	231	02.05-02.07	■	
X1 (E84) 03.09-06.15					SUV (Compact SUV-J Segment)				
xDrive28i (N20 B20 A)		Gasolina	4WD	1997	180	245	03.11-06.15	■	
xDrive 25 i (N52 B30 A)		Gasolina	4WD	2996	160	218	03.10-08.11	■	
xDrive 23 d (N47 D20 D)		Diesel	4WD	1995	150	204	10.09-06.15	■	