

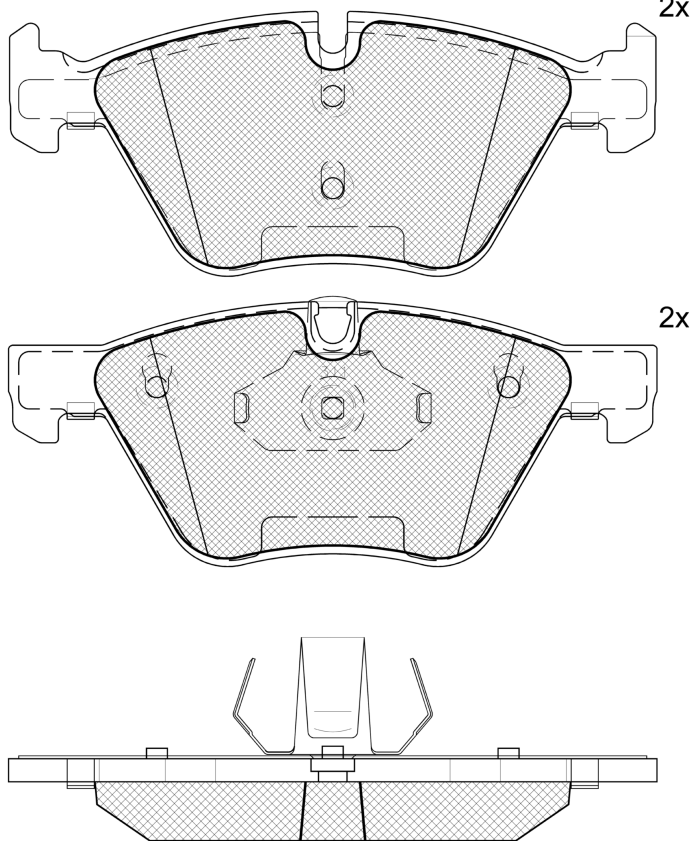
LISTA DE APLICACIONES - BUYERS GUIDE

181683-203



Qty: 300

Weight: 1.920



181683-203

E 9 90R-01111/1315



Ate - Teves

154.5x63.4x20.3

155x63.4x20.3

WVA

23794

23968

FMSI

D1061-7967

MAKE

BMW

BMW (BRILLIANCE)



Trac.	CC	Kw	CV
-------	----	----	----



Front / Rear

BMW

1 Serie (E82) 10.06-10.13

Coupe (Compact car-C Segment)

Model	Year	Fuel	Trac.	CC	Kw	CV	Period	Availability
120 i (N43 B20 A)	-12/10	Gasolina	RWD	1995	125	170	10.07-10.13	■
120 d (N47 D20 A)	-12/10	Diesel	RWD	1995	120	163	09.07-10.13	■
120 d (N47 D20 C)	-12/10	Diesel	RWD	1995	120	163	09.07-10.13	■
120 d (N47 D20 A)	-12/10	Diesel	RWD	1995	130	177	09.07-10.13	■
120 d (N47 D20 C)	-12/10	Diesel	RWD	1995	130	177	09.07-10.13	■
120 d (N47 D20 A)	-12/10	Diesel	RWD	1995	145	197	09.07-10.13	■
120 d (N47 D20 C)	-12/10	Diesel	RWD	1995	145	197	09.07-10.13	■

1 Serie (E81) 09.06-09.12

Hatchback (Compact car-C Segment)

120 i (N43 B20 A)		Gasolina	RWD	1995	125	170	03.07-09.12	■
120 d (N47 D20 A)		Diesel	RWD	1995	130	177	03.07-12.11	■
120 d (N47 D20 C)		Diesel	RWD	1995	130	177	03.07-12.11	■

3 Serie V (E93) 05.06-12.13

Convertible (Compact executive car-D Segment)

318i (N43 B20 A)		Gasolina	RWD	1995	105	143	03.10-12.13	■
320i		Gasolina	RWD	1995	110	149	01.07-08.13	■
320i (N43 B20 A)	-12/12, not M technique	Gasolina	RWD	1995	125	170	03.07-10.13	■
323 i		Gasolina	FWD	2497	130	177	03.07-09.11	■
325i (N52 B25 A)		Gasolina	RWD	2497	160	218	12.06-02.10	■
325i (N53 B30 A)		Gasolina	RWD	2996	155	211	10.06-12.13	■
325i (N53 B30 A)	-12/12	Gasolina	RWD	2996	160	218	03.07-12.13	■
330i (N52 B30 A)	-12/12	Gasolina	RWD	2996	190	258	03.10-10.13	■
330i (N52 B30 AF)	-12/12	Gasolina	RWD	2996	190	258	03.10-10.13	■
330i (N53 B30 A)	-12/12	Gasolina	RWD	2996	200	272	03.07-10.13	■

LISTA DE APLICACIONES - BUYERS GUIDE

330i (N52 B30 A)		Gasolina	RWD	2996	200	272	03.07-02.10	■	
320 d (N47 D20 A)		Diesel	RWD	1995	130	177	03.08-02.10	■	
320 d (N47 D20 C)		Diesel	RWD	1995	130	177	03.08-02.10	■	
320 d (N47 D20 C)	-12/12	Diesel	RWD	1995	135	184	03.10-10.13	■	
325 d (M57 D30 (306D3))		Diesel	RWD	2993	145	197	03.07-12.10	■	
325 d (N57 D30 A)		Diesel	RWD	2993	150	204	09.09-09.13	■	
325 d (M57 D30 (306D3))		Diesel	RWD	2993	155	211	03.07-12.10	■	
330 d (N57 D30 A)	-12/12	Diesel	RWD	2993	180	245	01.09-09.13	■	
3 Serie V (E92) 01.05-12.13					Coupe (Compact executive car-D Segment)				
318i (N43 B20 A)		Gasolina	RWD	1995	105	143	03.10-12.13	■	
320i		Gasolina	RWD	1995	110	150	11.06-06.07	■	
320i (N43 B20 A)	-12/12, not M technique	Gasolina	RWD	1995	125	170	03.07-06.13	■	
323 i		Gasolina	FWD	2497	130	177	04.06-02.12	■	
325i (N52 B25 A)	-09/07, discØ 330	Gasolina	RWD	2497	160	218	06.06-02.10	■	
325i (N52 B25 AF)	-09/07, discØ 330	Gasolina	RWD	2497	160	218	06.06-02.10	■	
325i (N52 B25 BF)	-09/07, discØ 330	Gasolina	RWD	2497	160	218	06.06-02.10	■	
325 xi (N52 B25 A)		Gasolina	4WD	2497	160	218	09.06-02.10	■	
325i (N53 B30 A)		Gasolina	RWD	2996	155	211	03.10-06.13	■	
325 i xDrive (N53 B30 A)		Gasolina	4WD	2996	155	211	09.08-06.13	■	
325 xi		Gasolina	4WD	2996	155	211	09.07-08.08	■	
325i (N53 B30 A)	-12/12	Gasolina	RWD	2996	160	218	09.07-06.13	■	
325 i xDrive (N53 B30 A)	-12/12	Gasolina	4WD	2996	160	218	09.08-12.13	■	
325 xi (N53 B30 A)		Gasolina	4WD	2996	160	218	09.07-08.08	■	
328i (N51 B30 A)	-08/07, discØ 300	Gasolina	RWD	2996	172	234	06.06-06.13	■	
328i (N52 B30 A)	-08/07, discØ 300	Gasolina	RWD	2996	172	234	06.06-06.13	■	
328 xi (N51 B30, N52 B30 A)	discØ 300, -08/07	Gasolina	4WD	2996	172	234	09.06-08.08	■	
3.0 328i		Gasolina	FWD	2996	187	254	08.06-11.07	■	
330i (N52 B30 A)		Gasolina	RWD	2996	190	258	03.10-06.13	■	
330 xi (N52 B30 A)		Gasolina	4WD	2996	190	258	09.06-08.07	■	
330i (N52 B30 A)		Gasolina	RWD	2996	200	272	09.06-02.10	■	
330i (N52 B30 AF)		Gasolina	RWD	2996	200	272	09.06-02.10	■	
330i (N52 B30 BF)		Gasolina	RWD	2996	200	272	09.06-02.10	■	
330i (N53 B30 A)		Gasolina	RWD	2996	200	272	09.07-06.13	■	
330 i xDrive (N53 B30 A)	-12/12	Gasolina	4WD	2996	200	272	03.10-06.13	■	
330 xi (N52 B30 A)		Gasolina	4WD	2996	200	272	09.06-08.07	■	
330 xi (N53 B30 A)		Gasolina	4WD	2996	200	272	03.07-02.10	■	
320 d xDrive (N47 D20 C)		Diesel	4WD	1995	130	177	09.08-02.10	■	
320 xd		Diesel	4WD	1995	130	177	09.08-02.10	■	
320 d (N47 D20 C)	-12/12	Diesel	RWD	1995	135	184	03.10-06.13	■	
320 d xDrive (N47 D20 C)	-12/12	Diesel	4WD	1995	135	184	03.10-06.13	■	
325 d (M57 D30 (306D3))		Diesel	RWD	2993	145	197	02.07-02.10	■	
325 d (N57 D30 A)	-12/12	Diesel	RWD	2993	150	204	09.09-06.13	■	
330 d (N57 D30 A)	-12/12	Diesel	RWD	2993	180	245	01.09-06.13	■	
330 d xDrive (N57 D30 A)	-12/12	Diesel	4WD	2993	180	245	02.10-06.13	■	
330 xd (N57 D30 A)		Diesel	4WD	2993	180	245	03.08-02.10	■	
3 Serie V (E90) 02.04-12.13					Saloon (Compact executive car-D Segment)				
316 i (N43 B16 A)		Gasolina	RWD	1599	90	122	09.07-10.11	■	
316 i (N43 B16 AA)		Gasolina	RWD	1599	90	122	09.07-10.11	■	
318i (N46 B20 B)	not M technique, increased payload	Gasolina	RWD	1995	95	129	09.05-08.07	■	
318i (N46 B20 B)		Gasolina	RWD	1995	100	136	09.07-10.11	■	

LISTA DE APLICACIONES - BUYERS GUIDE

318i (N46 B20 C)		Gasolina	RWD	1995	100	136	09.07-10.11	■
318i (N46 B20 CC)		Gasolina	RWD	1995	100	136	09.07-10.11	■
318i (N46 B20 CD)		Gasolina	RWD	1995	100	136	09.07-10.11	■
318i (N46 B20 E)		Gasolina	RWD	1995	100	136	09.07-10.11	■
318i (N43 B20 A)		Gasolina	RWD	1995	105	143	09.07-10.11	■
320i (N46 B20 B)	M technique, increased payload	Gasolina	RWD	1995	110	150	12.04-08.07	■
320i (N46 B20 BD)	M technique, increased payload	Gasolina	RWD	1995	110	150	12.04-08.07	■
320i (N46 B20 C)	M technique, increased payload	Gasolina	RWD	1995	110	150	12.04-08.07	■
320i (N46 B20 CB)	M technique, increased payload	Gasolina	RWD	1995	110	150	12.04-08.07	■
320i (N46 B20 B)		Gasolina	RWD	1995	115	156	02.07-12.11	■
320i (N46 B20 C)		Gasolina	RWD	1995	115	156	02.07-12.11	■
320i (N46 B20 CC)		Gasolina	RWD	1995	115	156	02.07-12.11	■
320i (N46 B20 CD)		Gasolina	RWD	1995	115	156	02.07-12.11	■
320i (N46 B20 E)		Gasolina	RWD	1995	115	156	02.07-12.11	■
320i (N43 B20 A)		Gasolina	RWD	1995	120	163	03.07-12.11	■
320i (N43 B20 A)		Gasolina	RWD	1995	125	170	09.07-10.11	■
320 si (N45 B20 A)		Gasolina	RWD	1997	127	173	09.05-08.06	■
325i		Gasolina	FWD	2494	141	189	09.07-12.08	■
325i		Gasolina	FWD	2494	224	300	09.08-12.10	■
323 i (N52 B25 A)		Gasolina	RWD	2497	130	177	09.05-02.07	■
323 i (N52 B25 B)		Gasolina	RWD	2497	130	177	09.05-02.07	■
323 i (N52 B25 BE)		Gasolina	RWD	2497	130	177	09.05-02.07	■
323 i (N52 B25 BF)		Gasolina	RWD	2497	130	177	09.05-02.07	■
323 i (N52 B25 A)		Gasolina	RWD	2497	140	190	03.07-12.11	■
323 i (N52 B25 BF)		Gasolina	RWD	2497	140	190	03.07-12.11	■
325i (N52 B25 A)		Gasolina	RWD	2497	155	211	01.06-12.11	■
325i (N52 B25 A)	not M technique	Gasolina	RWD	2497	160	218	12.04-12.11	■
325i (N52 B25 B)	not M technique	Gasolina	RWD	2497	160	218	12.04-12.11	■
325i (N52 B25 BF)	not M technique	Gasolina	RWD	2497	160	218	12.04-12.11	■
325 xi (N52 B25 A)		Gasolina	4WD	2497	160	218	09.05-08.08	■
330i		Gasolina	FWD	2979	175	235	09.06-12.07	■
3.0 328 i 24V 16"	01/07-	Gasolina	FWD	2995	169	230	02.04-	■
3.0 328 xi 24V 16"	01/07-	Gasolina	FWD	2995	169	230	02.04-	■
325i (N53 B30 A)		Gasolina	RWD	2996	155	211	03.07-12.11	■
325 i xDrive (N53 B30 A)		Gasolina	4WD	2996	155	211	09.08-10.11	■
325i (N53 B30 A)	not M technique, increased payload, discØ 336	Gasolina	RWD	2996	160	218	03.07-12.11	■
325 i xDrive (N53 B30 A)	increased payload, discØ 330	Gasolina	4WD	2996	160	218	09.08-10.11	■
325 xi (N53 B30 A)	increased payload, discØ 330	Gasolina	4WD	2996	160	218	09.07-08.08	■
325 xi (N52 B30 A)		Gasolina	4WD	2996	160	218	09.05-08.06	■
328i (N51 B30 A)		Gasolina	RWD	2996	172	234	09.06-12.11	■
328i		Gasolina	RWD	2996	187	254	07.05-11.07	■
330i (N52 B30 A)		Gasolina	RWD	2996	190	258	12.04-10.11	■
330i (N52 B30 BF)		Gasolina	RWD	2996	190	258	12.04-10.11	■
330 xi (N52 B30 A)		Gasolina	4WD	2996	190	258	09.05-08.07	■
330i (N53 B30 A)		Gasolina	RWD	2996	200	272	09.07-10.11	■
330i (N52 B30 A)		Gasolina	RWD	2996	200	272	03.07-12.11	■
330i (N52 B30 BF)		Gasolina	RWD	2996	200	272	03.07-12.11	■
330 i xDrive (N53 B30 A)	not increas.payload	Gasolina	4WD	2996	200	272	09.08-10.11	■
330 xi (N53 B30 A)	not increas.payload	Gasolina	4WD	2996	200	272	09.07-08.08	■

LISTA DE APLICACIONES - BUYERS GUIDE

316 d (N47 D20 C)		Diesel	RWD	1995	85	116	07.09-12.11	■
318 d (M47 D20 (204D4))	not M technique, increased payload	Diesel	RWD	1995	90	122	03.05-08.07	■
318 d (N47 D20 A)		Diesel	RWD	1995	100	136	09.07-10.11	■
318 d (N47 D20 C)		Diesel	RWD	1995	100	136	09.07-10.11	■
318 d (N47 D20 A)	not M technique, increased payload	Diesel	RWD	1995	105	143	02.07-10.11	■
318 d (N47 D20 C)	not M technique, increased payload	Diesel	RWD	1995	105	143	02.07-10.11	■
320 d (M47 D20 (204D4))	not M technique	Diesel	RWD	1995	110	150	12.04-09.07	■
320 d	not M technique	Diesel	RWD	1995	115	156	12.04-09.07	■
320 d (M47 D20 (204D4))	not M technique	Diesel	RWD	1995	120	163	12.04-10.11	■
320 d (N47 D20 A)	not M technique	Diesel	RWD	1995	120	163	12.04-10.11	■
320 d (N47 D20 C)	not M technique	Diesel	RWD	1995	120	163	12.04-10.11	■
320 d xDrive (N47 D20 C)	-12/10, government vehicles	Diesel	4WD	1995	120	163	09.08-10.11	■
320 d (N47 D20 A)	government vehicles, not M technique, discØ 330	Diesel	RWD	1995	130	177	09.07-02.10	■
320 d (N47 D20 C)	government vehicles, not M technique, discØ 330	Diesel	RWD	1995	130	177	09.07-02.10	■
320 d xDrive (N47 D20 A)	government vehicles, discØ 330	Diesel	4WD	1995	130	177	09.08-02.10	■
320 d xDrive (N47 D20 C)	government vehicles, discØ 330	Diesel	4WD	1995	130	177	09.08-02.10	■
320 xd	government vehicles, discØ 330	Diesel	4WD	1995	130	177	09.07-12.11	■
320 d (N47 D20 C)	government vehicles, not M technique	Diesel	RWD	1995	135	184	03.10-10.11	■
320 d xDrive (N47 D20 C)	government vehicles	Diesel	4WD	1995	135	184	03.10-10.11	■
325 d (M57 D30 (306D3))	not M technique, not increas.payload	Diesel	RWD	2993	145	197	09.06-02.10	■
325 d (N57 D30 A)	not government vehic, not M technique	Diesel	RWD	2993	150	204	03.10-10.11	■
330 d (M57 D30 (306D3))		Diesel	RWD	2993	155	211	09.05-12.11	■
330 d (N57 D30 A)		Diesel	RWD	2993	155	211	09.05-12.11	■
330 d (M57 D30 (306D3))	-09/07	Diesel	RWD	2993	170	231	09.05-09.08	■
330 xd (M57 D30 (306D3))	-09/07	Diesel	4WD	2993	170	231	09.05-08.08	■
330 d (N57 D30 A)	-09/09, increased payload	Diesel	RWD	2993	180	245	09.08-10.11	■
330 d xDrive (N57 D30 A)		Diesel	4WD	2993	180	245	09.08-10.11	■
3 Serie V Touring (E91) 12.04-12.12						Estate (Compact executive car-D Segment)		
316 i (N43 B16 AA)		Gasolina	RWD	1599	90	122	09.08-06.12	■
318i (N46 B20 B)	not M technique	Gasolina	RWD	1995	95	129	01.06-08.07	■
318i (N46 B20 B)	not M technique	Gasolina	RWD	1995	100	136	09.07-03.12	■
318i (N43 B20 A)		Gasolina	RWD	1995	105	143	05.07-05.12	■
320i (N46 B20 B)	not M technique	Gasolina	RWD	1995	110	150	09.05-06.12	■
320i (N46 B20 C)	not M technique	Gasolina	RWD	1995	110	150	09.05-06.12	■
320i (N43 B20 A)		Gasolina	RWD	1995	125	170	02.07-12.12	■
323 i (N52 B25 A)		Gasolina	RWD	2497	130	177	04.06-06.07	■
323 i (N52 B25 A)	discØ 300, Syst. Standard	Gasolina	RWD	2497	140	190	09.06-07.08	■
325i (N52 B25 A)		Gasolina	RWD	2497	155	211	12.04-12.10	■
325i (N52 B25 AF)		Gasolina	RWD	2497	155	211	12.04-12.10	■
325i (N52 B25 B)		Gasolina	RWD	2497	155	211	12.04-12.10	■
325i (N52 B25 BF)		Gasolina	RWD	2497	155	211	12.04-12.10	■
325i (N52 B25 A)	not M technique	Gasolina	RWD	2497	160	218	12.04-08.08	■
325 xi (N52 B25 A)	increased payload	Gasolina	4WD	2497	160	218	08.05-08.08	■
325i (N53 B30 A)	increased payload	Gasolina	RWD	2996	155	211	09.07-06.12	■
325 i xDrive (N53 B30 A)		Gasolina	4WD	2996	155	211	09.08-06.12	■
325 xi (N53 B30 A)		Gasolina	4WD	2996	155	211	09.07-08.08	■

LISTA DE APLICACIONES - BUYERS GUIDE

325i (N53 B30 A)	not M technique, increased payload	Gasolina	RWD	2996	160	218	09.07-06.12	■	
325 i xDrive (N53 B30 A)		Gasolina	4WD	2996	160	218	09.08-06.12	■	
325 xi (N53 B30 A)		Gasolina	4WD	2996	160	218	09.07-08.08	■	
330i (N52 B30 A)	increased payload	Gasolina	RWD	2996	190	258	08.05-08.07	■	
330 xi (N52 B30 A)	increased payload	Gasolina	4WD	2996	190	258	09.05-08.07	■	
330i (N53 B30 A)		Gasolina	RWD	2996	200	272	09.07-06.12	■	
330i		Gasolina	RWD	2996	200	272	03.07-06.12	■	
330 i xDrive (N53 B30 A)	09/09-, not increas.payload	Gasolina	4WD	2996	200	272	09.07-06.12	■	
330 xi (N53 B30 A)		Gasolina	4WD	2996	200	272	09.07-06.12	■	
318 d (M47 D20 (204D4))	not M technique	Diesel	RWD	1995	90	122	09.05-08.07	■	
318 d (N47 D20 A)		Diesel	RWD	1995	100	136	07.07-06.12	■	
318 d (N47 D20 C)		Diesel	RWD	1995	100	136	07.07-06.12	■	
318 d (N47 D20 A)		Diesel	RWD	1995	105	143	09.07-06.12	■	
318 d (N47 D20 C)		Diesel	RWD	1995	105	143	09.07-06.12	■	
320 d (M47 D20 (204D4))	government vehicles, not M technique	Diesel	RWD	1995	110	150	12.04-08.07	■	
320 d (M47 D20 (204D4))	government vehicles, not M technique	Diesel	RWD	1995	120	163	06.05-06.12	■	
320 d (N47 D20 A)	government vehicles, not M technique	Diesel	RWD	1995	120	163	06.05-06.12	■	
320 d (N47 D20 C)	government vehicles, not M technique	Diesel	RWD	1995	120	163	06.05-06.12	■	
320 d xDrive (N47 D20 C)	government vehicles	Diesel	4WD	1995	120	163	07.09-06.12	■	
320 d (N47 D20 A)	government vehicles, not M technique	Diesel	RWD	1995	130	177	02.07-12.10	■	
320 d (N47 D20 C)	government vehicles, not M technique	Diesel	RWD	1995	130	177	02.07-12.10	■	
320 d xDrive (N47 D20 C)	government vehicles	Diesel	4WD	1995	130	177	09.08-02.10	■	
320 xd	government vehicles, discØ 330	Diesel	RWD	1995	130	177	02.08-02.10	■	
320 d (N47 D20 C)	government vehicles, not M technique	Diesel	RWD	1995	135	184	03.10-05.12	■	
320 d xDrive (N47 D20 C)	government vehicles	Diesel	4WD	1995	135	184	03.10-06.12	■	
320 d (N47 D20 A)		Diesel	RWD	1995	145	197	02.07-02.10	■	
320 d (N47 D20 C)		Diesel	RWD	1995	145	197	02.07-02.10	■	
320 d xDrive (N47 D20 C)		Diesel	4WD	1995	145	197	02.08-02.10	■	
320 d (N47 D20 C)		Diesel	RWD	1995	147	200	03.10-05.12	■	
320 d xDrive (N47 D20 C)		Diesel	4WD	1995	147	200	03.10-05.12	■	
325 d (M57 D30 (306D3))	not government vehic, not M technique	Diesel	RWD	2993	145	197	09.06-06.12	■	
325 d (N57 D30 A)	not government vehic, not M technique	Diesel	RWD	2993	150	204	02.10-06.12	■	
330 d (M57 D30 (306D3))		Diesel	RWD	2993	155	211	06.05-05.12	■	
330 d (N57 D30 A)		Diesel	RWD	2993	155	211	06.05-05.12	■	
330 d (M57 D30 (306D3))	-09/07	Diesel	RWD	2993	170	231	12.04-08.08	■	
330 xd (M57 D30 (306D3))	-09/07	Diesel	4WD	2993	170	231	09.05-06.12	■	
330 d (N57 D30 A)	not increas.payload	Diesel	RWD	2993	180	245	02.08-05.12	■	
330 d xDrive (N57 D30 A)		Diesel	4WD	2993	180	245	01.09-06.12	■	
X1 (E84) 03.09-06.15					SUV (Compact SUV-J Segment)				
xDrive28i (N20 B20 A)		Gasolina	4WD	1997	180	245	03.11-06.15	■	
xDrive 25 i (N52 B30 A)		Gasolina	4WD	2996	160	218	03.10-08.11	■	
xDrive 28 i Flex (N20 B20 A)	-03/12	Gasol./Et anol	4WD	1997	180	245	04.11-06.15	■	
xDrive 23 d (N47 D20 D)		Diesel	4WD	1995	150	204	10.09-06.15	■	
Z4 II (U.S.A.) 09.08-					Convertible (Sports car-S Segment)				
sDrive18i (N20 B20 A)		Gasolina	RWD	1997	115	156	04.13-08.16	■	

LISTA DE APLICACIONES - BUYERS GUIDE

sDrive20i (N20 B20 A)	Gasolina	RWD	1997	120	163	09.11-08.16	■
sDrive20i (N20 B20 A)	Gasolina	RWD	1997	135	184	09.11-08.16	■
sDrive28i	Gasolina	FWD	1997	179	243	09.12-	■
sDrive28i (N20 B20 A)	Gasolina	RWD	1997	180	245	09.11-08.16	■
sDrive 23 i (N52 B25 A)	Gasolina	RWD	2497	150	204	03.09-08.11	■
sDrive 23 i (N52 B25 BF)	Gasolina	RWD	2497	150	204	03.09-08.11	■
sDrive 35 i (N54 B30 A)	Gasolina	RWD	2979	225	306	02.09-08.16	■
sDrive 30 i (N52 B30 A)	Gasolina	RWD	2996	190	258	02.09-08.11	■
sDrive 30 i (N52 B30 B)	Gasolina	RWD	2996	190	258	02.09-08.11	■
sDrive 30 i (N52 B30 BF)	Gasolina	RWD	2996	190	258	02.09-08.11	■
sDrive 30 i (N52 B30 A)	Gasolina	RWD	2996	195	265	05.09-08.11	■

BMW (BRILLIANCE)

X1 (E84) 03.12-				Estate (Compact SUV-J Segment)			
xDrive28i	Gasolina	FWD	1997	180	245	03.12-	■