

# LISTA DE APLICACIONES - BUYERS GUIDE

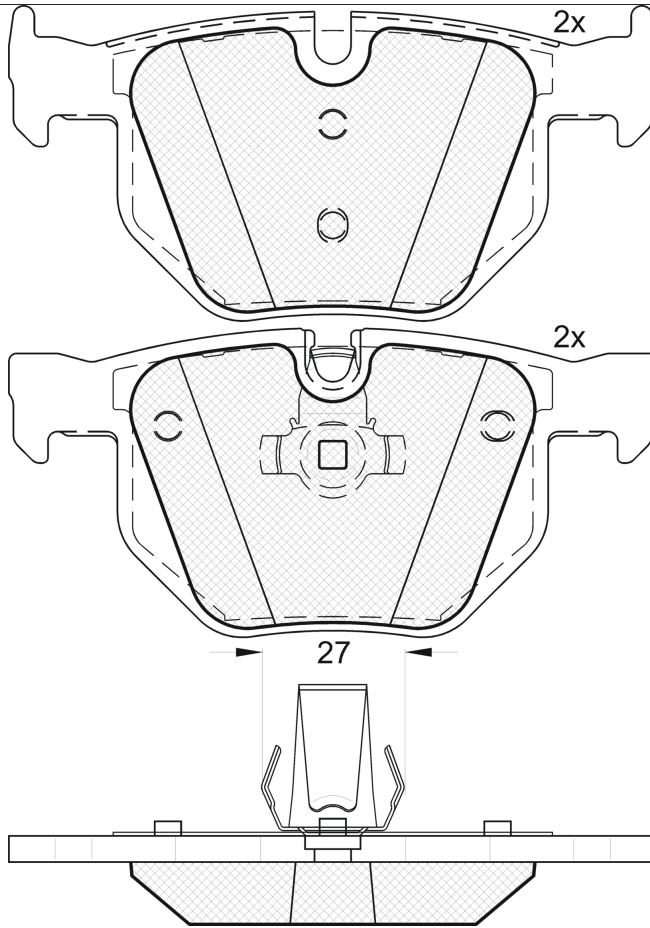
## 181684



Qty: 944

Weight: 1.150

O.E.M.	MAKE
34 21 2 339 276	BMW
34 21 2 339 277	BMW
34 21 2 339 279	BMW
34 21 2 339 290	BMW
34 21 2 339 79	BMW
34 21 2 339 90	BMW
34 21 6 763 043	BMW
34 21 6 763 044	BMW
34 21 6 784 135	BMW
34 35 6 763 043	BMW
34 35 6 763 044	BMW



## 181684

E 9 90R-01110/1246



Ate - Teves

122.1x58x17.3
122.1x59.55x17.3

<b>WVA</b>
23732
23737

<b>MAKE</b>
BMW
BMW (BRILLIANCE)



Trac.	CC	Kw	CV
-------	----	----	----



Front / Rear

### BMW

#### 5 Serie V (E60) 12.01-03.10

#### Saloon (Executive car-E Segment)

Model	Trac.	CC	Kw	CV	Period	Availability
535i	Gasolina	FWD			09.08-12.09	■
520 i (N46 B20 B)	Gasolina	RWD	1995	115	156 09.07-02.10	■
520 i (N43 B20 A)	Gasolina	RWD	1995	120	163 12.06-03.10	■
520 i (N43 B20 A)	Gasolina	RWD	1995	125	170 09.07-12.09	■
520 i (M54 B22 (226S1))	Gasolina	RWD	2171	125	170 07.03-03.10	■
525 i	Gasolina	RWD	2494	137	186 07.03-12.09	■
525 i (M54 B25 (256S5))	Gasolina	RWD	2494	141	192 09.03-02.05	■
523 i (N52 B25 A)	Gasolina	RWD	2497	130	177 10.04-02.07	■
523 i (N52 B25 B)	Gasolina	RWD	2497	130	177 10.04-02.07	■
523 i (N52 B25 BE)	Gasolina	RWD	2497	130	177 10.04-02.07	■
523 i (N52 B25 A)	Gasolina	RWD	2497	140	190 03.07-12.09	■
523 i (N52 B25 BE)	Gasolina	RWD	2497	140	190 03.07-12.09	■
523 i (N53 B25 A)	Gasolina	RWD	2497	140	190 03.07-12.09	■
525 i (N52 B25 A)	Gasolina	RWD	2497	155	211 07.05-03.10	■
525 i (N52 B25 A)	Gasolina	RWD	2497	160	218 03.05-12.09	■
525 i (N52 B25 B)	Gasolina	RWD	2497	160	218 03.05-12.09	■
525 i (N52 B25 BF)	Gasolina	RWD	2497	160	218 03.05-12.09	■
525 xi (N52 B25 A)	Gasolina	4WD	2497	160	218 04.05-02.07	■
530i (M54 B30 (30653))	Gasolina	RWD	2979	168	228 01.04-12.05	■
530i (M54 B30 (306S3))	Gasolina	RWD	2979	170	231 12.01-02.05	■
535 ix	Gasolina	FWD	2979	224	305 09.08-12.09	■
525 i (N53 B30 A)	Gasolina	RWD	2996	155	211 01.07-03.10	■
525 i (N53 B30 A)	Gasolina	RWD	2996	160	218 01.07-03.10	■

not government vehic, not increas.payload

# LISTA DE APLICACIONES - BUYERS GUIDE

525 i (N52 B30 A)		Gasolina	RWD	2996	160	218	03.05-03.07	■
525 i xDrive (N53 B30 A)		Gasolina	4WD	2996	160	218	09.08-03.10	■
525 xi (N53 B30 A)		Gasolina	4WD	2996	160	218	03.07-12.09	■
530i		Gasolina	FWD	2996	168	228	09.07-12.08	■
528i	USA	Gasolina	FWD	2996	171	233	09.07-12.10	■
528 i xDrive	USA	Gasolina	FWD	2996	171	233	09.07-12.10	■
528 i xDrive	USA	Gasolina	FWD	2996	171	233	09.09-12.10	■
528i (N52 B30 A)	discØ 320, -09/07	Gasolina	RWD	2996	172	234	03.07-12.09	■
528 i xDrive (N52 B30 A)		Gasolina	4WD	2996	172	234	09.06-12.09	■
530i (N52 B30 A)	discØ 320, Syst. Standard	Gasolina	RWD	2996	187	254	03.05-03.10	■
530i (N52 B30 A)	not armoured vehicl., not government vehic	Gasolina	RWD	2996	190	258	03.05-03.07	■
530i (N52 B30 BF)	not armoured vehicl., not government vehic	Gasolina	RWD	2996	190	258	03.05-03.07	■
530 xi (N52 B30 A)		Gasolina	4WD	2996	190	258	09.04-02.07	■
530i (N53 B30 A)	not government vehic	Gasolina	RWD	2996	200	272	03.07-12.09	■
530i (N52 B30 A)	not government vehic	Gasolina	RWD	2996	200	272	03.07-12.09	■
530i (N52 B30 BF)	not government vehic	Gasolina	RWD	2996	200	272	03.07-12.09	■
530 i xDrive (N53 B30 A)		Gasolina	4WD	2996	200	272	09.08-12.09	■
530 xi (N53 B30 A)		Gasolina	4WD	2996	200	272	02.07-08.08	■
530 xi (N52 B30 A)		Gasolina	4WD	2996	200	272	03.07-10.09	■
530i		Gasolina	FWD	2996	224	300	09.08-12.09	■
520 d (M47 D20 (204D4))		Diesel	RWD	1995	110	150	09.05-02.07	■
520 d (M47 D20 (204D4))		Diesel	RWD	1995	120	163	09.05-12.09	■
520 d (N47 D20 C)		Diesel	RWD	1995	120	163	09.05-12.09	■
520 d (N47 D20 A)		Diesel	RWD	1995	125	170	09.07-12.09	■
520 d (N47 D20 A)		Diesel	RWD	1995	130	177	09.07-12.09	■
520 d (N47 D20 C)		Diesel	RWD	1995	130	177	09.07-12.09	■
525 d (M57 D25 (256D2))		Diesel	RWD	2497	120	163	12.04-03.10	■
525 d (M57 D25 (256D2))		Diesel	RWD	2497	130	177	06.04-03.10	■
525 d (M57 D30 (306D3))	not government vehic	Diesel	RWD	2993	145	197	01.07-03.10	■
525 d xDrive (M57 D30 (306D3))		Diesel	4WD	2993	145	197	09.08-12.09	■
525 xd (M57 D30 (306D3))		Diesel	4WD	2993	145	197	09.07-08.08	■
530 d (M57 D30 (306D2))	not government vehic	Diesel	RWD	2993	155	211	09.02-12.09	■
530 d (M57 D30 (306D3))	not government vehic	Diesel	RWD	2993	155	211	09.02-12.09	■
530 d (M57 D30 (306D2))	not government vehic	Diesel	RWD	2993	160	218	09.02-09.05	■
530 d (M57 D30 (306D3))	not government vehic	Diesel	RWD	2993	170	231	09.05-03.07	■
530 xd (M57 D30 (306D3))		Diesel	4WD	2993	170	231	02.05-02.07	■
530 d (M57 D30 (306D3))	not government vehic	Diesel	RWD	2993	173	235	02.07-12.09	■
530 d xDrive (M57 D30 (306D3))		Diesel	4WD	2993	173	235	09.07-12.09	■
530 xd (M57 D30 (306D3))		Diesel	4WD	2993	173	235	03.07-08.07	■
<b>5 Serie V Touring (E61) 03.04-12.10</b>				<b>Estate (Executive car-E Segment)</b>				
520 i (N43 B20 A)		Gasolina	RWD	1995	120	163	07.07-08.10	■
520 i (N43 B20 A)		Gasolina	RWD	1995	125	170	09.07-12.10	■
525 i (M54 B25 (256S5))		Gasolina	RWD	2494	141	192	06.04-12.10	■
523 i (N52 B25 A)		Gasolina	RWD	2497	130	177	10.04-02.07	■
523 i (N52 B25 B)		Gasolina	RWD	2497	130	177	10.04-02.07	■
523 i (N52 B25 BE)		Gasolina	RWD	2497	130	177	10.04-02.07	■
523 i (N52 B25 A)		Gasolina	RWD	2497	140	190	03.07-01.10	■
523 i (N53 B25 A)		Gasolina	RWD	2497	140	190	01.07-12.10	■
525 i (N52 B25 A)		Gasolina	RWD	2497	155	211	03.05-05.10	■
525 i (N52 B25 A)		Gasolina	RWD	2497	160	218	03.05-05.10	■

# LISTA DE APLICACIONES - BUYERS GUIDE

525 i (N52 B25 B)		Gasolina	RWD	2497	160	218	03.05-05.10	■
525 i (N52 B25 BF)		Gasolina	RWD	2497	160	218	03.05-05.10	■
525 xi (N52 B25 A)		Gasolina	4WD	2497	160	218	07.05-12.10	■
530i	-12/10	Gasolina	FWD	2979	170	231	06.04-	■
535 xi (N54 B30 A)		Gasolina	4WD	2979	224	305	03.07-05.10	■
525 i (N53 B30 A)		Gasolina	RWD	2996	155	211	01.07-12.10	■
525 i (N53 B30 A)	not government vehic, not increas.payload	Gasolina	RWD	2996	160	218	01.07-12.10	■
525 i xDrive (N53 B30 A)		Gasolina	4WD	2996	160	218	09.08-12.10	■
525 xi (N53 B30 A)		Gasolina	4WD	2996	160	218	01.07-12.10	■
530i (N52 B30 A)		Gasolina	RWD	2996	190	258	09.04-02.07	■
530i (N52 B30 BF)		Gasolina	RWD	2996	190	258	09.04-02.07	■
530 xi (N52 B30 A)		Gasolina	4WD	2996	190	258	04.05-02.07	■
530i (N53 B30 A)		Gasolina	RWD	2996	200	272	01.07-12.10	■
530i (N52 B30 A)	not government vehic	Gasolina	RWD	2996	200	272	09.06-03.10	■
530 i xDrive (N53 B30 A)		Gasolina	4WD	2996	200	272	09.08-05.10	■
530 xi (N52 B30 A)		Gasolina	4WD	2996	200	272	03.07-05.10	■
530 xi (N53 B30 A)		Gasolina	4WD	2996	200	272	09.06-09.08	■
520 d (M47 D20 (204D4))		Diesel	RWD	1995	110	150	09.05-02.07	■
520 d (M47 D20 (204D4))		Diesel	RWD	1995	120	163	04.05-05.10	■
520 d (N47 D20 C)		Diesel	RWD	1995	120	163	04.05-05.10	■
520 d (N47 D20 A)		Diesel	RWD	1995	130	177	09.07-05.10	■
520 d (N47 D20 C)		Diesel	RWD	1995	130	177	09.07-05.10	■
525 d (M57 D25 (256D2))		Diesel	RWD	2497	120	163	03.04-03.07	■
525 d (M57 D25 (256D2))		Diesel	RWD	2497	130	177	03.04-03.07	■
525 d (M57 D30 (306D3))	not government vehic, not increas.payload	Diesel	RWD	2993	145	197	03.07-05.10	■
525 d xDrive (M57 D30 (306D3))		Diesel	4WD	2993	145	197	09.08-05.10	■
525 xd (M57 D30 (306D3))		Diesel	4WD	2993	145	197	09.07-09.08	■
530 d (M57 D30 (306D2))	not government vehic, Eq.V_ VALUE LINE	Diesel	RWD	2993	155	211	03.04-05.10	■
530 d (M57 D30 (306D3))	not government vehic, Eq.V_ VALUE LINE	Diesel	RWD	2993	155	211	03.04-05.10	■
530 d (M57 D30 (306D2))	not government vehic	Diesel	RWD	2993	160	218	03.04-09.05	■
530 d (M57 D30 (306D3))	not government vehic	Diesel	RWD	2993	170	231	02.05-02.07	■
530 xd (M57 D30 (306D3))		Diesel	4WD	2993	170	231	02.05-02.07	■
530 d (M57 D30 (306D3))	not government vehic	Diesel	RWD	2993	173	235	02.07-05.10	■
530 d xDrive (M57 D30 (306D3))		Diesel	4WD	2993	173	235	09.07-05.10	■
530 xd (M57 D30 (306D3))		Diesel	4WD	2993	173	235	03.07-08.07	■
535 d (M57 D30 (306D5))		Diesel	RWD	2993	210	286	01.07-12.10	■
<b>6 Serie II (E64) 03.04-12.10</b>							<b>Convertible (Grand Tourer-S Segment)</b>	
630 i (N52 B30 A)		Gasolina	RWD	2996	190	258	09.04-08.07	■
630 i (N52 B30 B)		Gasolina	RWD	2996	190	258	09.04-08.07	■
630 i (N52 B30 BF)		Gasolina	RWD	2996	190	258	09.04-08.07	■
630 i (N53 B30 A)	discØ 320, discØ 345	Gasolina	RWD	2996	200	272	09.07-08.10	■
630 i (N52 B30 A)	discØ 320   discØ 345	Gasolina	RWD	2996	200	272	09.07-08.10	■
630 i (N52 B30 B)	discØ 320   discØ 345	Gasolina	RWD	2996	200	272	09.07-08.10	■
630 i (N52 B30 BF)	discØ 320   discØ 345	Gasolina	RWD	2996	200	272	09.07-08.10	■
<b>6 Serie II (E63) 09.03-12.13</b>							<b>Coupe (Grand Tourer-S Segment)</b>	
630 i (N52 B30 A)		Gasolina	RWD	2996	190	258	09.04-08.07	■
630 i (N52 B30 BF)		Gasolina	RWD	2996	190	258	09.04-08.07	■
630 i (N53 B30 A)	discØ 320   discØ 345	Gasolina	RWD	2996	200	272	09.07-08.10	■
630 i (N52 B30 A)	discØ 320   discØ 345	Gasolina	RWD	2996	200	272	09.07-08.10	■

# LISTA DE APLICACIONES - BUYERS GUIDE

630 i (N52 B30 B)	discØ 320   discØ 345	Gasolina	RWD	2996	200	272	09.07-08.10	■
630 i (N52 B30 BF)	discØ 320   discØ 345	Gasolina	RWD	2996	200	272	09.07-08.10	■
<b>BMW (BRILLIANCE)</b>								
<b>5 SERIES V (E60) 07.03-12.10</b>					<b>Saloon (Executive car-E Segment)</b>			
2.0 520Li		Gasolina	FWD	1995	115	156	06.09-	■
520 i		Gasolina	RWD	2171	127	173	05.04-12.06	■
2.5 523i		Gasolina	FWD	2494	130	175	07.03-	■
2.5 523Li		Gasolina	FWD	2494	130	175	07.03-	■
525 i		Gasolina	RWD	2494	141	192	04.04-02.06	■
2.5 523Li		Gasolina	FWD	2497	120	163	01.08-	■
2.5 525Li		Gasolina	FWD	2497	160	218	01.07-	■
525 i		Gasolina	RWD	2497	160	218	01.05-01.06	■
530i		Gasolina	RWD	2979	170	231	10.03-06.05	■
3.0 530 Li		Gasolina	FWD	2996	190	258	01.08-	■
530i (N52 B30 BF)		Gasolina	RWD	2996	190	258	01.05-12.06	■