

# LISTA DE APLICACIONES - BUYERS GUIDE

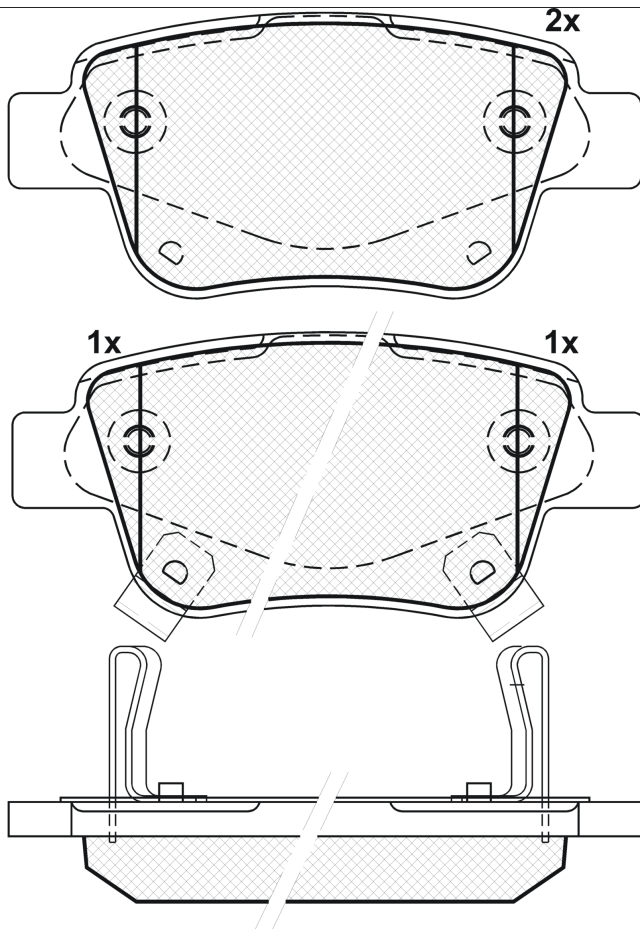
## 181688



Qty: 944

Weight: 945

O.E.M.	MAKE
04466-05010	TOYOTA
04466-05020	TOYOTA
04466-28110	TOYOTA
04466-58010	TOYOTA
04466-WY030	TOYOTA
04466-YZZE2	TOYOTA
86 60 000 748	RENAULT
86 60 004 427	RENAULT
V9118-B039	TOYOTA



## 181688

E 9 90R-01110/795



Bosch

101.9x45.95x16.7

WVA	FMSI
23620	D2067-9299
23621	D2325-9558
23622	
MAKE	
TOYOTA	



Trac.	CC	Kw	CV		
Front / Rear					

### TOYOTA

#### ALPHARD ( \_H1\_ ) 04.03-04.08

#### MPV (Large MPV-M1 Segment)

Model	Year	Engine	Trac.	CC	Kw	CV	Period	Front	Rear
2.4 (ANH10W) (2AZ-FE)	01/07-	Gasolina	FWD	2362	117	159	09.03-04.08	■	■
2.4 4WD (ANH15W) (2AZ-FE)	01/07-	Gasolina	4WD	2362	117	159	09.03-04.08	■	■
3.0 (MNH10) (1MZ-FE)	01/07-	Gasolina	FWD	2995	162	220	04.03-04.08	■	■
3.0 4WD (MNH15W) (1MZ-FE)	01/07-	Gasolina	4WD	2995	162	220	04.03-04.08	■	■
2.4	01/07-	Gasol./el éc.	FWD	2362	96	131	09.03-04.08	■	■
2.4	01/07-	Gasol./el éc.	4WD	2362	96	131	09.03-04.08	■	■
2.4 Hybrid (ATH10W) (2AZ-FXE)	01/07-	Gasol./el éc.	FWD	2362	117	159	09.03-04.08	■	■
2.4 Hybrid 4WD (ATH10W) (2AZ-FXE)	01/07-	Gasol./el éc.	4WD	2362	117	159	09.03-04.08	■	■

#### ALPHARD II ( \_H2\_ ) 04.08-12.15

#### MPV (Large MPV-M1 Segment)

Model	Year	Engine	Trac.	CC	Kw	CV	Period	Front	Rear
2.4 (ANH20W) (2AZ-FE)	Eq.V_ G'S	Gasolina	FWD	2362	123	167	04.08-12.14	■	■
2.4 (ANH20W, ANH20) (2AZ-FE)	Eq.V_ G'S	Gasolina	FWD	2362	125	170	05.08-12.14	■	■
2.4 4WD (ANH25W) (2AZ-FE)		Gasolina	4WD	2362	125	170	05.08-12.14	■	■
3.5 (GGH20W) (2GR-FE)	Eq.V_ G'S	Gasolina	FWD	3456	202	275	04.08-12.14	■	■
3.5 (GGH20W, GGH20) (2GR-FE)	Eq.V_ G'S	Gasolina	FWD	3456	206	280	04.08-12.14	■	■
3.5 4WD (GGH25W) (2GR-FE)		Gasolina	4WD	3456	206	280	04.08-12.14	■	■
2.4 Hybrid		Gasol./el éc.	FWD	2362	110	150	12.11-12.14	■	■

#### AVENSIS II ( \_T25\_ ) 04.03-11.08

#### Estate (Large family car-D Segment)

Model	Year	Engine	Trac.	CC	Kw	CV	Period	Front	Rear
1.6 VVT-i (ZTZ250_, ZTZ250R) (3ZZ-FE)		Gasolina	FWD	1598	81	110	04.03-11.08	■	■
1.8 VVT-i (ZTZ251_, ZTZ251R) (1ZZ-FE)		Gasolina	FWD	1794	95	129	04.03-11.08	■	■
2.0 VVT-i (AZT250_, AZT250R) (1AZ-FSE)		Gasolina	FWD	1998	108	147	04.03-11.08	■	■

# LISTA DE APLICACIONES - BUYERS GUIDE

2.0 VVT-i (AZT250_, AZT250R) (1AZ-FE)		Gasolina	FWD	1998	114	155	04.03-11.08	■	
2.4 VVT-i (AZT251_, AZT251R) (2AZ-FSE)		Gasolina	FWD	2362	120	163	10.03-10.08	■	
2.4 VVT-i (AZT251_, AZT251R) (2AZ-FSE)		Gasolina	FWD	2362	125	170	09.03-11.08	■	
2.0 D-4D (CDT250_, CDT250R) (1CD-FTV)		Diesel	FWD	1995	85	116	04.03-11.08	■	
2.0 D-4D (ADT250_, ADT250R) (1AD-FTV)		Diesel	FWD	1998	93	126	03.06-11.08	■	
2.2 TD		Diesel	RWD	2184	74	101	04.05-11.08	■	
2.2 D-4D (ADT251_, ADT251R) (2AD-FTV)		Diesel	FWD	2231	110	150	10.05-11.08	■	
2.2 D-CAT (ADT251_, ADT251R) (2AD-FHV)		Diesel	FWD	2231	130	177	07.05-11.08	■	
<b>AVENSIS II (_T25_) 03.03-11.08</b>							<b>Hatchback (Large family car-D Segment)</b>		
1.6 VVT-i (ZZT250_, ZZT250R) (3ZZ-FE)		Gasolina	FWD	1598	81	110	04.03-11.08	■	
1.8 VVT-i (ZZT251_, ZZT251R) (1ZZ-FE)		Gasolina	FWD	1794	95	129	03.03-10.08	■	
2.0 VVT-i (AZT250_, AZT250R) (1AZ-FSE)		Gasolina	FWD	1998	108	147	03.03-11.08	■	
2.0 VVTi (AZT250_)		Gasolina	FWD	1998	114	155	03.03-10.08	■	
2.4 VVT-i (AZT251_, AZT251R) (2AZ-FSE)		Gasolina	FWD	2362	120	163	10.03-10.08	■	
2.4 VVT-i (AZT251_, AZT251R) (2AZ-FSE)		Gasolina	FWD	2362	125	170	09.03-11.08	■	
2.0 D-4D (CDT250_, CDT250R) (1CD-FTV)		Diesel	FWD	1995	85	116	04.03-11.08	■	
2.0 D-4D (ADT250_, ADT250R) (1AD-FTV)		Diesel	FWD	1998	93	126	03.06-11.08	■	
2.2 TD		Diesel	RWD	2184	74	101	04.05-11.08	■	
2.2 D-4D (ADT251_, ADT251R) (2AD-FTV)		Diesel	FWD	2231	110	150	10.05-11.08	■	
2.2 D-CAT (ADT251_, ADT251R) (2AD-FHV)		Diesel	FWD	2231	130	177	07.05-11.08	■	
<b>AVENSIS II (_T25_) 01.03-04.09</b>							<b>Saloon (Large family car-D Segment)</b>		
1.6 VVT-i (ZZT250_, ZZT250R) (3ZZ-FE)		Gasolina	FWD	1598	81	110	04.03-11.08	■	
1.8 VVT-i (ZZT251_, ZZT251R) (1ZZ-FE)		Gasolina	FWD	1794	95	129	04.03-11.08	■	
2.0 VVT-i (AZT250_, AZT250R) (1AZ-FSE)		Gasolina	FWD	1998	108	147	04.03-11.08	■	
2.0 VVTi (AZT250_) (1AZ-FE)		Gasolina	FWD	1998	114	155	01.03-11.08	■	
2.4 VVT-i (AZT251_, AZT251R) (2AZ-FSE)		Gasolina	FWD	2362	120	163	10.03-10.08	■	
2.4 VVT-i (AZT251_, AZT251R) (2AZ-FSE)		Gasolina	FWD	2362	125	170	09.03-11.08	■	
2.0 D-4D (CDT250_, CDT250R) (1CD-FTV)		Diesel	FWD	1995	85	116	04.03-11.08	■	
2.0 D-4D (ADT250_, ADT250R) (1AD-FTV)		Diesel	FWD	1998	93	126	03.06-10.08	■	
2.2 TD		Diesel	RWD	2184	74	101	04.05-11.08	■	
2.2 D-4D (ADT251_, ADT251R) (2AD-FTV)		Diesel	FWD	2231	110	150	10.05-11.08	■	
2.2 D-CAT (ADT251_, ADT251R) (2AD-FHV)		Diesel	FWD	2231	130	177	07.05-11.08	■	
<b>COROLLA IX (_E12_) 07.01-05.07</b>							<b>MPV (Compact MPV-M1 Segment)</b>		
1.8	01/04-	Gasolina	FWD	1838	92	125	09.01-05.04	■	
1.4 D-4D	01/04-	Diesel	RWD	1364	66	90	09.01-05.04	■	
2.0 D-4D (CDE120_)	01/04-	Diesel	FWD	1995	85	116	09.01-07.04	■	
<b>COROLLA IX / ALTIS / AXIO-ALTIS (_E12_) 08.00-12.08</b>							<b>Saloon (Compact executive car-D Segment)</b>		
1.5		Gasolina	FWD	1497	81	110	06.07-07.07	■	
1.6	01/07-	Gasolina	FWD	1598	91	124	11.06-07.07	■	
1.8		Gasolina	FWD	1794	94	128	06.07-07.07	■	
<b>COROLLA IX-X (ZER_, ZZE12_, R1_) 03.04-10.09</b>							<b>MPV (Compact MPV-M1 Segment)</b>		
1.3 VVTi (8A-FE)		Gasolina	FWD	1342	64	87	03.04-03.09	■	
1.5		Gasolina	FWD	1497	80	109	03.04-03.09	■	
1.6 (ZNR10_, ZNR10R) (3ZZ-FE)		Gasolina	FWD	1598	81	110	04.04-03.09	■	
1.8 (ZNR11_, ZNR11R) (1ZZ-FE)		Gasolina	FWD	1794	95	129	04.04-03.09	■	
1.8		Gasolina	FWD	1838	92	125	03.04-03.09	■	
1.4 D4d		Diesel	RWD	1364	66	90	03.04-03.09	■	
2.0 D-4D (CUR10_, CUR10R) (1CD-FTV)		Diesel	FWD	1995	85	116	04.04-03.09	■	
2.2 D-4D (AUR10_, AUR10R) (2AD-FTV)		Diesel	FWD	2231	100	136	10.05-03.09	■	

# LISTA DE APLICACIONES - BUYERS GUIDE

2.2 D-4D (AUR10_, AUR10R) (2AD-FHV)		Diesel	FWD	2231	130	177	10.05-03.09	■	
<b>COROLLA X / ALTIS (_E15_) 10.06-</b>					<b>Saloon (Compact executive car-D Segment)</b>				
1.5		Gasolina	FWD	1497	77	105	08.07-	■	
1.5		Gasolina	FWD	1497	81	110	08.07-	■	
1.8		Gasolina	FWD	1798	98	133	08.07-	■	
1.8 (ZRE142) (2ZR-FAE)		Gasolina	FWD	1798	99	135	08.08-04.12	■	
1.8 (ZRE142) (2ZR-FE)		Gasolina	FWD	1798	99	135	08.08-04.12	■	
<b>PREVIA II / ESTIMA / TARAGO (_R3_) 02.00-02.06</b>					<b>MPV (Large MPV-M1 Segment)</b>				
2.4 Hybrid		Gasolina	FWD	2362	96	131	10.05-01.06	■	
2.4		Gasolina	FWD	2362	125	170	10.05-01.06	■	
2.4		Gasolina	FWD	2362	125	170	10.05-01.06	■	
3.5 (ACR30)		Gasolina	FWD	3456	206	280	02.00-01.06	■	
3.5 4WD		Gasolina	4WD	3456	206	280	02.00-01.06	■	
<b>PREVIA III / ESTIMA / TARAGO (_R2_, _R5_) 10.05-</b>					<b>MPV (Large MPV-M1 Segment)</b>				
2.4 Hybrid	01/08-	Gasolina	FWD	2362	110	150	10.06-	■	
2.4 (ACR50_, ACR50R) (2AZ-FE)		Gasolina	FWD	2362	125	170	10.05-	■	
3.5 (GSR50_, GSR50R) (2GR-FE)		Gasolina	FWD	3456	202	275	01.06-	■	
3.5 (GSR50W, GSR50) (2GR-FE)		Gasolina	FWD	3456	206	280	01.06-	■	
3.5 4WD (GSR55W)	01/10-	Gasolina	4WD	3456	206	280	01.06-	■	
2.4 Hybrid (AHR20_) (2AZ-FXE)		Gasol./el éc.	FWD	2362	110	150	06.06-	■	
2.4 Hybrid 4WD (AHR20_, AHR20R)		Gasol./el éc.	4WD	2362	110	150	05.12-	■	