

LISTA DE APLICACIONES - BUYERS GUIDE

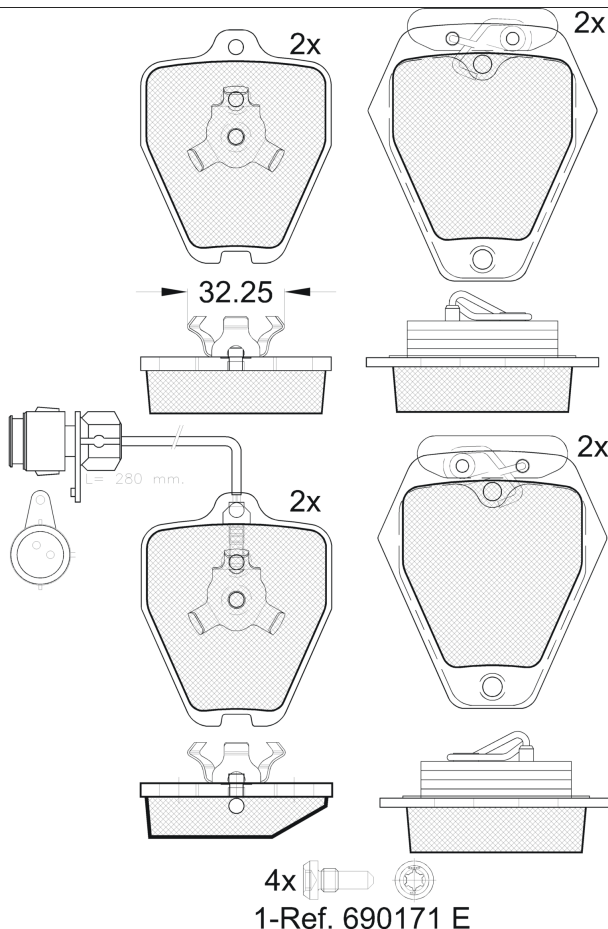
181691



Qty: 300

Weight: 1.920

| O.E.M. | MAKE |
|----------------|------|
| 441 698 151 G | AUDI |
| 4A0 698 151 B | AUDI |
| 4A0 698 151 D | AUDI |
| 4D0 615 115 | AUDI |
| 4D0 615 116 B | AUDI |
| 4D0 615 116 C | AUDI |
| 4D0 698 151 | AUDI |
| 4D0 698 151 A | AUDI |
| 4D0 698 151 AA | AUDI |
| 4D0 698 151 AD | AUDI |
| 4D0 698 151 B | AUDI |
| 4D0 698 151 C | AUDI |
| 4D0 698 151 E | AUDI |
| 4D0 698 151 F | AUDI |



181691

E 9 90R-01111/1653



Lucas - Girling

63.3x77.4x18.5

76.1x85.6x18.5

WVA

21452

21453

21454

MAKE

AUDI



| Trac. | CC | Kw | CV | Hourglass icon | Front / Rear |
|-------|----|----|----|----------------|--------------|
|-------|----|----|----|----------------|--------------|

AUDI

100 IV C4 (4A2) 12.90-04.96

Saloon (Executive car-E Segment)

| | | | | | | | |
|------------------------|----------|-----|------|-----|-----|-------------|---|
| S4 Turbo quattro (AAN) | Gasolina | 4WD | 2226 | 169 | 230 | 08.91-07.94 | ■ |
| S4 V8 quattro (ABH) | Gasolina | 4WD | 4172 | 206 | 280 | 10.92-07.94 | ■ |

100 IV C4 Avant (4A5) 12.90-11.94

Estate (Executive car-E Segment)

| | | | | | | | |
|------------------------|----------|-----|------|-----|-----|-------------|---|
| S4 Turbo quattro (AAN) | Gasolina | 4WD | 2226 | 169 | 230 | 09.91-07.94 | ■ |
| S4 V8 quattro (ABH) | Gasolina | 4WD | 4172 | 206 | 280 | 10.92-07.94 | ■ |

A6 C4 Avant (4A5) 06.94-01.98

Estate (Executive car-E Segment)

| | | | | | | | |
|------------------------|----------|-----|------|-----|-----|-------------|---|
| S6 Turbo quattro (AAN) | Gasolina | 4WD | 2226 | 169 | 230 | 06.94-12.97 | ■ |
| S6 4.2 quattro (AEC) | Gasolina | 4WD | 4172 | 213 | 290 | 06.94-12.97 | ■ |
| S6 Plus quattro (AHK) | Gasolina | 4WD | 4172 | 240 | 326 | 04.96-12.97 | ■ |

A6 III C6 Avant (4F5) 11.04-08.11

Estate (Executive car-E Segment)

| | | | | | | | |
|-------------------|----------|-----|------|-----|-----|-------------|---|
| RS6 quattro (BUH) | Gasolina | 4WD | 4991 | 426 | 580 | 04.08-08.10 | ■ |
| S6 quattro (BXA) | Gasolina | 4WD | 5204 | 320 | 435 | 03.06-08.11 | ■ |

A6 III C6 (4F2) 04.04-08.11

Saloon (Executive car-E Segment)

| | | | | | | | |
|------------------|----------|-----|------|-----|-----|-------------|---|
| S6 quattro (BXA) | Gasolina | 4WD | 5204 | 320 | 435 | 03.06-03.11 | ■ |
|------------------|----------|-----|------|-----|-----|-------------|---|

A6 C4 (4A2) 06.94-01.98

Saloon (Executive car-E Segment)

| | | | | | | | |
|------------------------|----------|-----|------|-----|-----|-------------|---|
| S6 Turbo quattro (AAN) | Gasolina | 4WD | 2226 | 169 | 230 | 06.94-10.97 | ■ |
| S6 4.2 quattro (AEC) | Gasolina | 4WD | 4172 | 213 | 290 | 06.94-10.97 | ■ |
| S6 Plus quattro (AHK) | Gasolina | 4WD | 4172 | 240 | 326 | 04.96-10.97 | ■ |

A8 (U.S.A. D2) 09.96-12.02

Saloon (Luxury car-F Segment)

| | | | | | | | | |
|---------|--------|----------|-----|------|-----|-----|--------|---|
| 3.7 32V | 01/97- | Gasolina | FWD | 3695 | 169 | 230 | 09.96- | ■ |
| 3.7 32V | 01/97- | Gasolina | FWD | 3695 | 169 | 230 | 09.96- | ■ |

LISTA DE APLICACIONES - BUYERS GUIDE

| | | | | | | | | |
|-------------------------------------|--------|----------|-----|------|--------------------------------------|-----|-------------|---|
| 4.2 quattro | 01/97- | Gasolina | FWD | 4195 | | | 09.96- | ■ |
| 4.2 quattro | 01/97- | Gasolina | FWD | 4195 | | | 09.96- | ■ |
| A8 D2 (4D2, 4D8) 03.94-12.05 | | | | | Saloon (Luxury car-F Segment) | | | |
| 2.8 (AEJ) | | Gasolina | FWD | 2771 | 120 | 163 | 07.95-03.96 | ■ |
| 2.8 quattro (AEJ) | | Gasolina | 4WD | 2771 | 120 | 163 | 07.95-03.96 | ■ |
| 2.8 (AAH) | | Gasolina | FWD | 2771 | 128 | 174 | 03.94-03.96 | ■ |
| 2.8 quattro (AAH) | | Gasolina | 4WD | 2771 | 128 | 174 | 03.94-03.96 | ■ |
| 2.8 (ACK) | -12/98 | Gasolina | FWD | 2771 | 142 | 193 | 04.96-09.02 | ■ |
| 2.8 (ALG) | -12/98 | Gasolina | FWD | 2771 | 142 | 193 | 04.96-09.02 | ■ |
| 2.8 (AMX) | -12/98 | Gasolina | FWD | 2771 | 142 | 193 | 04.96-09.02 | ■ |
| 2.8 (APR) | -12/98 | Gasolina | FWD | 2771 | 142 | 193 | 04.96-09.02 | ■ |
| 2.8 (AQD) | -12/98 | Gasolina | FWD | 2771 | 142 | 193 | 04.96-09.02 | ■ |
| 2.8 quattro (ACK) | -12/98 | Gasolina | 4WD | 2771 | 142 | 193 | 04.96-09.02 | ■ |
| 2.8 quattro (ALG) | -12/98 | Gasolina | 4WD | 2771 | 142 | 193 | 04.96-09.02 | ■ |
| 2.8 quattro (AMX) | -12/98 | Gasolina | 4WD | 2771 | 142 | 193 | 04.96-09.02 | ■ |
| 2.8 quattro (APR) | -12/98 | Gasolina | 4WD | 2771 | 142 | 193 | 04.96-09.02 | ■ |
| 2.8 quattro (AQD) | -12/98 | Gasolina | 4WD | 2771 | 142 | 193 | 04.96-09.02 | ■ |
| 3.7 (AEW) | | Gasolina | FWD | 3697 | 169 | 230 | 07.95-12.98 | ■ |
| 3.7 quattro (AEW) | | Gasolina | 4WD | 3697 | 169 | 230 | 07.95-11.98 | ■ |
| 3.7 quattro (AKJ) | | Gasolina | 4WD | 3697 | 169 | 230 | 07.95-11.98 | ■ |
| 3.7 (AKC) | | Gasolina | FWD | 3697 | 191 | 260 | 11.98-09.02 | ■ |
| 3.7 (AQG) | | Gasolina | FWD | 3697 | 191 | 260 | 11.98-09.02 | ■ |
| 3.7 quattro (AKC) | | Gasolina | 4WD | 3697 | 191 | 260 | 11.98-09.02 | ■ |
| 3.7 quattro (AQG) | | Gasolina | 4WD | 3697 | 191 | 260 | 11.98-09.02 | ■ |
| 4.2 quattro (AEM) | | Gasolina | 4WD | 4172 | 180 | 245 | 03.94-07.96 | ■ |
| 4.2 quattro | | Gasolina | 4WD | 4172 | 210 | 286 | 07.95-09.98 | ■ |
| 4.2 quattro (ABZ) | | Gasolina | 4WD | 4172 | 220 | 299 | 03.94-11.98 | ■ |
| 4.2 quattro (AKG) | | Gasolina | 4WD | 4172 | 220 | 299 | 03.94-11.98 | ■ |
| S8 quattro (AHC) | | Gasolina | 4WD | 4172 | 250 | 340 | 07.96-06.99 | ■ |
| S8 quattro (AKH) | | Gasolina | 4WD | 4172 | 250 | 340 | 07.96-06.99 | ■ |
| S8 quattro (AQH) | | Gasolina | 4WD | 4172 | 265 | 360 | 06.99-09.02 | ■ |
| S8 quattro (AVP) | | Gasolina | 4WD | 4172 | 265 | 360 | 06.99-09.02 | ■ |
| S8 quattro (AYS) | | Gasolina | 4WD | 4172 | 265 | 360 | 06.99-09.02 | ■ |
| S8 quattro (BCS) | | Gasolina | 4WD | 4172 | 265 | 360 | 06.99-09.02 | ■ |
| 2.5 TDI (AFB) | -12/98 | Diesel | FWD | 2496 | 110 | 150 | 01.97-04.00 | ■ |
| 2.5 TDI (AKN) | -12/98 | Diesel | FWD | 2496 | 110 | 150 | 01.97-04.00 | ■ |
| 2.5 TDI quattro (AFB) | -12/98 | Diesel | 4WD | 2496 | 110 | 150 | 07.97-04.00 | ■ |
| 2.5 TDI quattro (AKN) | -12/98 | Diesel | 4WD | 2496 | 110 | 150 | 07.97-04.00 | ■ |