

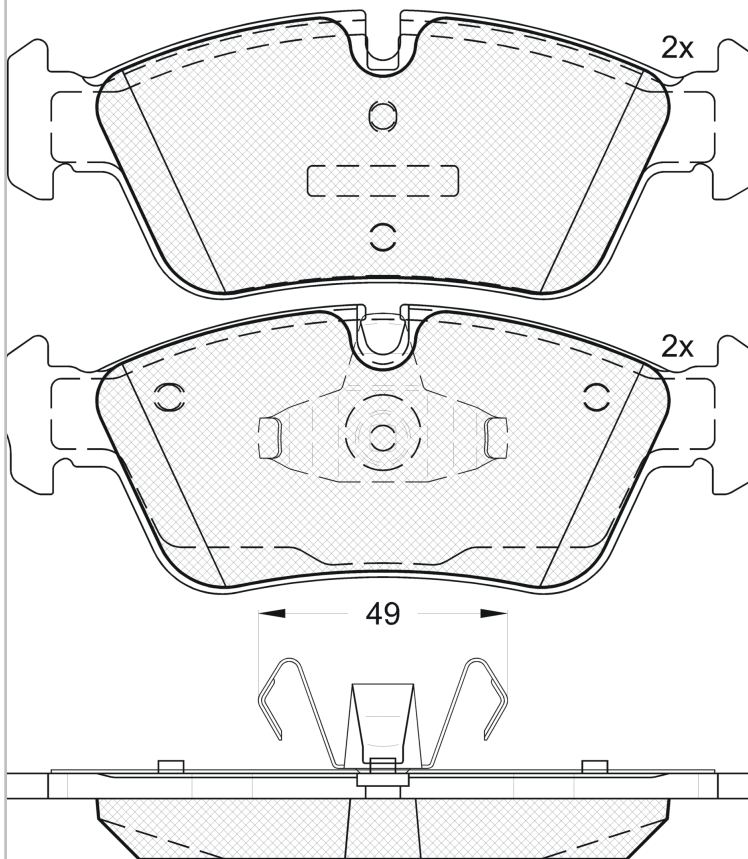
LISTA DE APLICACIONES - BUYERS GUIDE

181698



Qty: 300

Weight: 1.620



181698

E 9 90R-01111/973



Ate - Teves

149.4x57.6x17.8

150.2x57.6x17.8

WVA

23935

23977

23999

FMSI

D1228-8347

MAKE

BMW



Trac.	CC	Kw	CV
-------	----	----	----



Front / Rear

BMW

1 Serie (E87) 02.03-12.13							Hatchback (Compact car-C Segment)			
120 i (N46 B20 B)	-01/06, not M technique	Gasolina	RWD	1995	110	150	06.04-02.07	■		
120 i (N46 B20 BD)	-01/06, not M technique	Gasolina	RWD	1995	110	150	06.04-02.07	■		
120 i (N46 B20 C)	-01/06, not M technique	Gasolina	RWD	1995	110	150	06.04-02.07	■		
120 i (N46 B20 CC)	-01/06, not M technique	Gasolina	RWD	1995	110	150	06.04-02.07	■		
120 i	-03/07, not M technique	Gasolina	FWD	1995	110	150	09.06-09.12	■		
120 i (N46 B20 B)		Gasolina	RWD	1995	115	156	03.07-12.11	■		
120 i (N46 B20 C)		Gasolina	RWD	1995	115	156	03.07-12.11	■		
120 i (N43 B20 A)		Gasolina	RWD	1995	120	163	03.07-12.11	■		
120 d (M47 D20 (204D4))		Diesel	RWD	1995	110	150	06.04-02.07	■		
120 d (M47 D20 (204D4))	-03/07, not M technique	Diesel	RWD	1995	120	163	06.04-06.11	■		
120 d (N47 D20 A)	-03/07, not M technique	Diesel	RWD	1995	120	163	06.04-06.11	■		
120 d (N47 D20 A)	not M technique	Diesel	RWD	1995	120	163	03.07-12.11	■		
120 d (N47 D20 C)	not M technique	Diesel	RWD	1995	120	163	03.07-12.11	■		
120 d (N47 D20 A)	not M technique	Diesel	RWD	1995	130	177	03.07-06.11	■		
120 d (N47 D20 C)	not M technique	Diesel	RWD	1995	130	177	03.07-06.11	■		
3 Serie IV (E46) 04.00-12.07							Convertible (Compact executive car-D Segment)			
318 Ci (N46 B20 A)		Gasolina	RWD	1995	110	150	03.04-08.06	■		
318 Ci (N46 B20 C)		Gasolina	RWD	1995	110	150	03.04-08.06	■		
3 Serie IV (E46) 12.98-07.06							Coupe (Compact executive car-D Segment)			
318 Ci (N46 B20 A)		Gasolina	RWD	1995	110	150	03.04-05.06	■		
318 Ci (N46 B20 C)		Gasolina	RWD	1995	110	150	03.04-05.06	■		

LISTA DE APLICACIONES - BUYERS GUIDE

3 Serie V (E93) 05.06-12.13					Convertible (Compact executive car-D Segment)			
320i		Gasolina	RWD	1995	110	149	01.07-08.13	■
3 Serie V (E92) 01.05-12.13					Coupe (Compact executive car-D Segment)			
320i		Gasolina	RWD	1995	110	150	11.06-06.07	■
3 Serie V (E90) 02.04-12.13					Saloon (Compact executive car-D Segment)			
316 i (N45 B16 A)	not M technique	Gasolina	RWD	1596	85	115	09.05-10.11	■
316 i (N45 B16 AC)	not M technique	Gasolina	RWD	1596	85	115	09.05-10.11	■
1.8 316 i 15"	01/05-	Gasolina	FWD	1795			02.04-	■
1.8 316 i 15"	01/05-	Gasolina	FWD	1795			02.04-	■
1.8 316 i 15"	01/05-	Gasolina	FWD	1795			02.04-	■
1.8 316 i 15"	01/05-	Gasolina	FWD	1795			02.04-	■
318i (N46 B20 B)	not M technique, not increas.payload	Gasolina	RWD	1995	95	129	09.05-08.07	■
318i (N46 B20 B)		Gasolina	RWD	1995	100	136	09.07-10.11	■
318i (N46 B20 C)		Gasolina	RWD	1995	100	136	09.07-10.11	■
318i (N46 B20 CC)		Gasolina	RWD	1995	100	136	09.07-10.11	■
318i (N46 B20 CD)		Gasolina	RWD	1995	100	136	09.07-10.11	■
318i (N46 B20 E)		Gasolina	RWD	1995	100	136	09.07-10.11	■
320i (N46 B20 B)	M technique, not increas.payload	Gasolina	RWD	1995	110	150	12.04-08.07	■
320i (N46 B20 BD)	M technique, not increas.payload	Gasolina	RWD	1995	110	150	12.04-08.07	■
320i (N46 B20 C)	M technique, not increas.payload	Gasolina	RWD	1995	110	150	12.04-08.07	■
320i (N46 B20 CB)	M technique, not increas.payload	Gasolina	RWD	1995	110	150	12.04-08.07	■
320i (N46 B20 B)		Gasolina	RWD	1995	115	156	02.07-12.11	■
320i (N46 B20 C)		Gasolina	RWD	1995	115	156	02.07-12.11	■
320i (N46 B20 CC)		Gasolina	RWD	1995	115	156	02.07-12.11	■
320i (N46 B20 CD)		Gasolina	RWD	1995	115	156	02.07-12.11	■
320i (N46 B20 E)		Gasolina	RWD	1995	115	156	02.07-12.11	■
316 d (N47 D20 C)		Diesel	RWD	1995	85	116	07.09-12.11	■
318 d (M47 D20 (204D4))	not M technique, not increas.payload	Diesel	RWD	1995	90	122	03.05-08.07	■
318 d (N47 D20 A)		Diesel	RWD	1995	100	136	09.07-10.11	■
318 d (N47 D20 C)		Diesel	RWD	1995	100	136	09.07-10.11	■
318 d (N47 D20 A)	not M technique, not increas.payload	Diesel	RWD	1995	105	143	02.07-10.11	■
318 d (N47 D20 C)	not M technique, not increas.payload	Diesel	RWD	1995	105	143	02.07-10.11	■
3 Serie V Touring (E91) 12.04-12.12					Estate (Compact executive car-D Segment)			
318i (N46 B20 B)	not M technique	Gasolina	RWD	1995	95	129	01.06-08.07	■
318i (N46 B20 B)	not M technique	Gasolina	RWD	1995	100	136	09.07-03.12	■
320i (N46 B20 B)		Gasolina	RWD	1995	110	150	09.05-06.12	■
320i (N46 B20 C)		Gasolina	RWD	1995	110	150	09.05-06.12	■
318 d (M47 D20 (204D4))	not M technique	Diesel	RWD	1995	90	122	09.05-08.07	■
318 d (N47 D20 A)		Diesel	RWD	1995	100	136	07.07-06.12	■
318 d (N47 D20 C)		Diesel	RWD	1995	100	136	07.07-06.12	■