

LISTA DE APLICACIONES - BUYERS GUIDE

181701-208

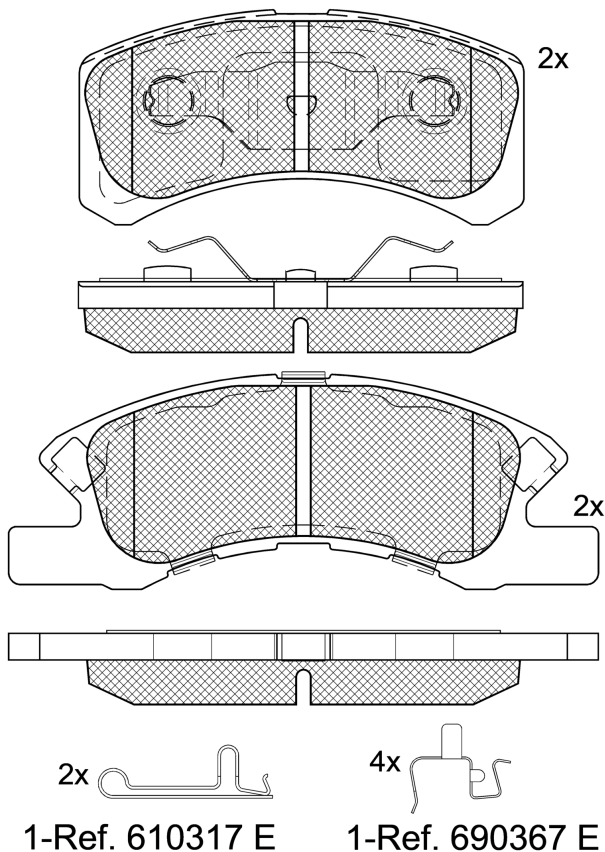


8 424073 189264

Qty: 300

Weight: 885

O.E.M.	MAKE
04465-B2040	DAIHATSU
04465-B2100	DAIHATSU
04465-B2150	DAIHATSU
04465-BZ120	PERODUA
04491-97203-000	DAIHATSU
04491-97206-000	DAIHATSU
04491-97209-000	DAIHATSU
04491-97211-000	DAIHATSU
04491-97214	DAIHATSU
04491-97214-000	DAIHATSU
04491-97218-000	DAIHATSU
04491-BZ010	TOYOTA
46 05A 272	MINISUBISHI
46 05A 592	MINISUBISHI
46 05B 005	MINISUBISHI
46 05B 006	MINISUBISHI
46 05b 281	MINISUBISHI
AY040-KE119	DAIHATSU
MN 113 093	DAIHATSU
MZ 690 584	MINISUBISHI



181701-208

E 9 90R-01111/1275



Akebono

91.9x44.4x15.3

121.9x44.4x15.3

WVA	FMSI
24229	D1731-8956
24230	D1731-9243
MAKE	
DAIHATSU	
DODGE	
MINISUBISHI	
NISSAN	
PERODUA	
SUBARU	
TOYOTA	



Trac.	CC	Kw	CV			Front / Rear
-------	----	----	----	--	--	--------------

DAIHATSU

CHARADE V (L2_) 03.03-						Hatchback (Supermini car-B Segment)		
1.0	-12/07, Solid disc	Gasolina	FWD	998	51	69	03.03-	■
CUORE VI / MIRA VI (L7_) 10.98-05.03						Hatchback (City car-A Segment)		
1.0 (EJ-DE)		Gasolina	FWD	989	41	56	11.98-12.02	■
1.0 (EJ-VE)		Gasolina	FWD	989	41	56	11.98-12.02	■
1.0 i (L701)		Gasolina	FWD	989	41	56	10.98-05.03	■
1.0 DVVT (L700S) (EJ-VE)		Gasolina	FWD	989	43	58	10.00-02.03	■
CUORE VII (L251, L250_, L260_) 03.03-						Hatchback (City car-A Segment)		
0.7 (L250S) (EF-SE)	-12/07, discØ 211	Gasolina	FWD	659	35	48	03.03-	■
0.7	-12/07, discØ 211	Gasolina	FWD	659	43	58	03.03-	■
0.7	-12/07, discØ 211	Gasolina	FWD	659	43	58	03.03-	■
0.7	-12/07, discØ 211	Gasolina	FWD	659	47	64	03.03-	■
0.7 Turbo Avy	-12/07, discØ 211	Gasolina	FWD	659	47	64	03.03-	■
1.0 (EJ-VE)	-12/07, Solid disc, discØ 211, Rim 12	Gasolina	FWD	989	43	58	05.03-	■
1.0		Gasolina	FWD	989	43	58	03.03-	■
CUORE VIII (L275_, L285_, L276_) 12.06-						Hatchback (City car-A Segment)		
0.7	discØ 211, Rim 13	Gasolina	FWD	658	43	58	12.06-	■
0.7 (L275S, L275V) (KF-VE)	discØ 211, Rim 13	Gasolina	FWD	658	43	58	12.06-	■
0.7 (L275S)	discØ 211, Rim 13	Gasolina	FWD	658	47	64	12.06-	■
0.7 (L285S)	discØ 211, Rim 13	Gasolina	FWD	658	47	64	12.06-	■
0.7	discØ 211, Rim 13	Gasolina	FWD	658	49	67	07.14-	■
1.0 (L276) (1KR-FE)	Rim 13, discØ 211	Gasolina	FWD	998	51	70	04.07-	■

LISTA DE APLICACIONES - BUYERS GUIDE

ESSE (L2_) 03.05-09.11					Hatchback (City car-A Segment)			
0.7		Gasolina	FWD	658	43	58	03.05-09.11	■
0.7		Gasolina	FWD	658	43	58	03.05-09.11	■
MAX (L95_, L96_) 06.00-12.06					Hatchback (City car-A Segment)			
0.7	vehicles without ABS	Gasolina	FWD	659	43	58	06.00-12.06	■
0.7 Ri	vehicles without ABS	Gasolina	FWD	659	47	64	09.02-12.06	■
0.7 RS	vehicles without ABS	Gasolina	FWD	659	47	64	09.02-12.06	■
MIRA COCOA (L675S, L685S) 08.09-					Hatchback (City car-A Segment)			
0.7		Gasolina	FWD	658	38	52	10.12-	■
0.7		Gasolina	FWD	658	38	52	10.12-	■
0.7		Gasolina	FWD	658	43	58	08.09-09.12	■
0.7		Gasolina	FWD	658	43	58	08.09-09.12	■
MIRA e:S (LA3_) 09.11-					Hatchback (City car-A Segment)			
0.7 (LA300S)		Gasolina	FWD	658	36	49	07.14-	■
0.7 (LA310S)		Gasolina	FWD	658	36	49	07.14-	■
0.7		Gasolina	FWD	658	38	52	09.11-07.14	■
0.7		Gasolina	FWD	658	38	52	09.11-07.14	■
MIRA GINO II 10.03-03.09					Hatchback (City car-A Segment)			
0.7		Gasolina	FWD	659	43	58	10.03-06.06	■
MIRA TOCOT (LA5_) 06.18-					Hatchback (City car-A Segment)			
0.7 (LA550S) (KF-VE)		Gasolina	FWD	658	38	52	06.18-	■
0.7 4WD (LA560S) (KF-VE)		Gasolina	4WD	658	38	52	06.18-	■
MOVE III (L150_, L160_, L152_) 10.02-12.07					MPV (Large MPV-M1 Segment)			
0.7		Gasolina	FWD	659	43	58	10.02-10.06	■
MOVE VI CANBUS (LA800S, LA810S) 09.16-					Bus (Minibus-M2-Segment)			
0.7		Gasolina	FWD	658	38	52	09.16-	■
0.7		Gasolina	FWD	658	38	52	09.16-	■
NAKED 11.99-02.05					Hatchback (City car-A Segment)			
0.7		Gasolina	FWD	659	34	46	11.99-02.05	■
0.7 (EF-VE)		Gasolina	FWD	659	34	46	11.99-02.05	■
SONICA (L405_, L415_) 07.05-04.09					Hatchback (City car-A Segment)			
0.7	Eq.V_ R	Gasolina	FWD	658	47	64	07.05-04.09	■
0.7 A las 4 ruedas	Eq.V_ R	Gasolina	FWD	658	47	64	04.06-04.09	■
TANTO (L35_, L36_) 09.02-11.07					Hatchback (City car-A Segment)			
0.7		Gasolina	FWD	659	43	58	09.02-11.07	■
TANTO II / TANTO CUSTOM (L375S, L385S) 12.07-10.13					Hatchback (City car-A Segment)			
0.7		Gasolina	FWD	658	38	52	06.11-10.13	■
0.7		Gasolina	FWD	658	38	52	06.11-10.13	■
0.7		Gasolina	FWD	658	43	58	12.07-05.11	■
0.7		Gasolina	FWD	658	43	58	12.07-05.11	■
0.7		Gasolina	FWD	658	47	64	12.07-10.13	■
0.7 4WD		Gasolina	FWD	658	47	64	12.07-10.13	■
TANTO II EXE / TANTO EXE CUSTOM (L455S, L465S) 12.09-10.14					Hatchback (City car-A Segment)			
0.7		Gasolina	FWD	658	38	52	12.09-10.14	■
0.7 4WD		Gasolina	FWD	658	38	52	12.09-10.14	■
0.7		Gasolina	FWD	658	43	58	12.09-10.14	■
0.7 4WD		Gasolina	FWD	658	43	58	12.09-10.14	■

LISTA DE APLICACIONES - BUYERS GUIDE

0.7		Gasolina	FWD	658	47	64	12.09-10.14	■
0.7 4WD		Gasolina	FWD	658	47	64	12.09-10.14	■
TREVIS 06.06-					Hatchback (City car-A Segment)			
1.0 (EJ-VE)	Rim 14	Gasolina	FWD	989	43	58	06.06-	■
DODGE								
ATTITUDE III (LA) 09.14-					Saloon (Supermini car-B Segment)			
1.2 (3A92)		Gasolina	FWD	1193	57	78	09.14-	■
MITSUBISHI								
eK (H81W) 10.01-07.06					Hatchback (City car-A Segment)			
0.7		Gasolina	FWD	657	37	50	10.01-07.06	■
0.7		Gasolina	FWD	657	37	50	10.01-07.06	■
0.7		Gasolina	FWD	657	47	64	09.02-07.06	■
0.7		Gasolina	FWD	657	47	64	09.02-07.06	■
eK II (H82W) 09.06-06.13					Hatchback (City car-A Segment)			
0.7		Gasolina	FWD	657	37	50	09.06-06.13	■
0.7		Gasolina	FWD	657	37	50	09.06-06.13	■
0.7		Gasolina	FWD	657	47	64	09.06-06.13	■
0.7		Gasolina	FWD	657	47	64	09.06-06.13	■
MIRAGE VI G4 / ATTRAGE (A1_A) 07.13-					Saloon (Supermini car-B Segment)			
1.2		Gasolina	FWD	1193	56	76	10.13-	■
1.2 (3A92)		Gasolina	FWD	1193	57	78	07.14-	■
1.2		Gasolina	FWD	1193	58	79	10.13-	■
1.2 (A13A) (3A92)		Gasolina	FWD	1193	59	80	10.13-	■
1.2 Flexfuel (A13A)		Gasol./Etanol	FWD	1193	57	78	07.14-	■
MIRAGE VI / SPACE STAR VI (A0_A) 01.12-					Hatchback (Supermini car-B Segment)			
1.0 (A05A)		Gasolina	FWD	999	51	69	05.12-	■
1.0 (A05A) (3A90)		Gasolina	FWD	999	52	71	05.12-	■
1.2		Gasolina	FWD	1193	52	71	08.20-	■
1.2 (A03A) (3A92)		Gasolina	FWD	1193	55	75	09.13-05.16	■
1.2		Gasolina	FWD	1193	56	76	01.14-	■
1.2 (A03A) (3A92)		Gasolina	FWD	1193	57	78	01.12-	■
1.2 (A03A) (3A92)		Gasolina	FWD	1193	58	79	05.16-	■
1.2 (A03A) (3A92)		Gasolina	FWD	1193	59	80	10.12-	■
1.0 Bifuel		Gasol./Gas (LPG)	FWD	999	52	71	04.14-	■
1.2 LPG (A03A)		Gasol./Gas (LPG)	FWD	1193	52	71	08.20-	■
1.2 Flexfuel (A03A)		Gasol./Etanol	FWD	1193	57	78	07.12-	■
SPACE STAR II / MIRAGE (A0_A) 05.12-					Hatchback (Supermini car-B Segment)			
1.2		Gasolina	FWD	1193	57	78	05.12-	■
TOPPO II (-H82_) 08.08-					Hatchback (City car-A Segment)			
0.7		Gasolina	FWD	657	47	64	08.08-	■
0.7 (CBA-H82A)		Gasolina	FWD	657	47	64	08.08-	■
NISSAN								
NV100 CLIPPER (U71W, U72W) 04.03-11.11					Bus (Minibus-M2-Segment)			
0.7		Gasolina	FWD	657	35	48	12.07-11.11	■
0.7		Gasolina	FWD	657	47	64	04.03-11.11	■

LISTA DE APLICACIONES - BUYERS GUIDE

0.7 4WD		Gasolina	FWD	657	47	64	04.03-11.11	■	
OTTI (H91, H92) 01.05-06.13					Hatchback (City car-A Segment)				
0.7		Gasolina	FWD	657	37	50	10.06-06.13	■	
0.7		Gasolina	FWD	657	37	50	01.05-06.13	■	
PERODUA									
VIVA 07.07-					Hatchback (Compact car-C Segment)				
0.66 (L250) (EF-VE)	discØ 211	Gasolina	FWD	659	35	48	07.07-06.14	■	
0.8 (L252) (ED-VE)	discØ 211	Gasolina	FWD	847	39	53	07.07-06.14	■	
1.0 (L251) (EJ-VE)	discØ 211	Gasolina	FWD	989	45	61	07.07-06.14	■	
SUBARU									
LUCRA (L4_) 04.10-					Hatchback (City car-A Segment)				
0.7 (L455F)		Gasolina	FWD	658	38	52	07.11-	■	
0.7 (L455F)		Gasolina	FWD	658	43	58	04.10-07.11	■	
PLEO II (L275, L285) 04.10-					Hatchback (City car-A Segment)				
0.7 AWD		Gasolina	FWD	658	38	52	04.10-	■	
0.7		Gasolina	FWD	658	43	58	04.10-	■	
0.7		Gasolina	FWD	658	43	58	04.10-	■	
PLEO II PLUS 01.12-					Hatchback (City car-A Segment)				
0.7		Gasolina	FWD	658	36	49	01.12-	■	
0.7		Gasolina	FWD	658	36	49	01.12-	■	
PLEO II VAN 04.10-					Van (LCVs-N1 Segment)				
0.7		Gasolina	FWD	658	43	58	04.10-	■	
0.7		Gasolina	FWD	658	43	58	04.10-	■	
TOYOTA									
AGYA (B1_) 12.12-					Hatchback (City car-A Segment)				
1.0		Gasolina	FWD	998	48	65	12.12-	■	
PIXIS EPOCH (LA3_) 06.17-					(City car-A Segment)				
0.4 4WD (LA360A) (KF-VE)		Gasolina	4WD	658	36	49	06.17-	■	
PIXIS EPOCH (LA3_) 05.12-					Hatchback (City car-A Segment)				
0.7		Gasolina	FWD	658	36	49	07.14-	■	
0.7		Gasolina	FWD	658	36	49	07.14-	■	
0.7 (LA350A) (KF-VE)		Gasolina	FWD	658	36	49	06.17-	■	
0.7		Gasolina	FWD	658	38	52	05.12-07.14	■	
0.7		Gasolina	FWD	658	38	52	05.12-07.14	■	
PIXIS SPACE (L58_A, L57_A) 10.11-					Hatchback (City car-A Segment)				
0.7		Gasolina	FWD	658	38	52	10.11-	■	
0.7		Gasolina	FWD	658	38	52	10.11-	■	
0.7		Gasolina	FWD	658	47	64	10.11-	■	
0.7		Gasolina	FWD	658	47	64	10.11-	■	