

LISTA DE APLICACIONES - BUYERS GUIDE

181713

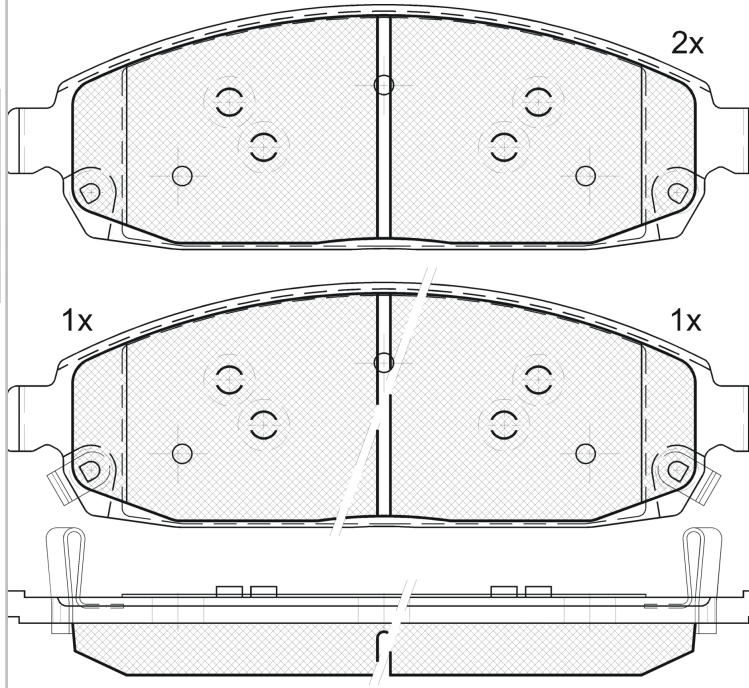


8 424073 093394

Qty: 300

Weight: 2.346

O.E.M.	MAKE
05080868AA	JEEP
05080868AB	JEEP
05080868AC	JEEP
5080868AA	JEEP
5080868AB	JEEP
5080868AC	JEEP
68028967AA	JEEP



181713

E 9 90R-01111/1276



Akebono

176x57x18.8

WVA	FMSI
24250	D1080-7985
24251	D1181-8297
24252	

MAKE
JEEP



Trac.	CC	Kw	CV
-------	----	----	----



Front / Rear

JEEP

COMMANDER (XK, XH) 09.05-12.10

SUV (Pick-Up Truck)

Model	Trac.	CC	Kw	CV	Year	Availability
3.7 V6 4x4 (EKG)	Gasolina 4WD	3701	157	214	09.05-12.10	■
4.7 V8 4x4 (EVA)	Gasolina 4WD	4701	170	231	09.05-12.10	■
4.7 Flexfuel	Gasolina FWD	4701	175	238	09.06-12.07	■
4.7 Flexfuel	Gasolina FWD	4701	175	238	09.06-12.07	■
4.7 V8 4x4 (EVE)	Gasolina 4WD	4701	223	303	01.08-12.09	■
5.7 V8 4x4 (EZB)	Gasolina 4WD	5654	240	326	09.05-12.10	■
5.7 HEMI 4x4 (EZH)	Gasolina 4WD	5654	255	347	06.09-12.10	■
3.0 CRD 4x4	Diesel 4WD	2987	155	211	09.05-12.10	■
3.0 CRD 4x4 (EXL)	Diesel 4WD	2987	160	218	04.06-12.10	■

COMMANDER VAN (XH) 09.05-12.10

SUV Van (Pick-Up Truck)

5.7 HEMI V8 4x4	Gasolina 4WD	5654	240	326	09.05-12.10	■
3.0 CRD 4x4	Diesel 4WD	2987	160	218	09.05-12.10	■

GRAND CHEROKEE III (WH, WK) 10.04-12.11

Closed Off-Road Vehicle (Luxury Crossover SUV-J Segment)

3.7 V6 4x4 (EKG)	Gasolina 4WD	3700	148	201	01.08-12.10	■
3.7 V6 (EKG)	Gasolina RWD	3701	157	214	10.04-12.10	■
3.7 V6 4x4 (EKG)	Gasolina 4WD	3701	157	214	10.04-12.10	■
4.7 V8 4WD	Gasolina FWD	4695	217	295	10.04-	■
4.7 V8 4x4 (EVA)	Gasolina 4WD	4701	164	223	06.05-12.10	■
4.7 V8 (EVA)	Gasolina RWD	4701	167	227	10.04-05.10	■
4.7 V8 (EVE)	Gasolina RWD	4701	167	227	10.04-05.10	■
4.7 V8 4x4 (EVE)	Gasolina 4WD	4701	167	227	10.07-05.10	■
4.7 V8 4x4 (EVA)	Gasolina 4WD	4701	170	231	06.05-12.10	■

LISTA DE APLICACIONES - BUYERS GUIDE

4.7 4x4		Gasolina	4WD	4701	172	233	10.04-12.10	■	
4.7 V8 4x4 (EVA)		Gasolina	4WD	4701	223	303	09.07-02.10	■	
4.7 V8 4x4 (EVE)		Gasolina	4WD	4701	223	303	09.07-02.10	■	
4.7 FLEX		Gasolina	FWD	4703	228	305	09.07-12.10	■	
4.7 FLEX		Gasolina	FWD	4703	228	305	09.07-12.10	■	
4.7 V8		Gasolina	FWD	4703	228	305	09.07-12.08	■	
5.7 (EZB)		Gasolina	RWD	5654	240	326	06.05-12.08	■	
5.7 V8 4x4 (EZB)		Gasolina	4WD	5654	240	326	06.05-12.10	■	
5.7 V8 4x4 (EZD)		Gasolina	4WD	5654	259	352	01.09-12.10	■	
5.7 V8 4x4 (EZH)		Gasolina	4WD	5654	259	352	01.09-12.10	■	
5.7 V8 4x4 (EZD)		Gasolina	4WD	5654	265	360	01.09-12.10	■	
6.1 SRT8 4x4 (ESF)		Gasolina	4WD	6059	313	426	03.06-12.10	■	
4.7 V8 FLEX (EVA)		Gasol./Etanol	RWD	4701	167	227	10.04-05.10	■	
4.7 V8 FLEX (EVD)		Gasol./Etanol	RWD	4701	167	227	10.04-05.10	■	
4.7 V8 FLEX (EVE)		Gasol./Etanol	RWD	4701	167	227	10.04-05.10	■	
3.0 CRD 4x4 (EXL)		Diesel	4WD	2987	132	180	05.06-12.10	■	
3.0 CRD 4x4 (EXL)		Diesel	4WD	2987	155	211	05.06-12.10	■	
3.0 CRD (EXL)		Diesel	RWD	2987	160	218	06.05-12.10	■	
3.0 CRD 4x4 (EXL)		Diesel	4WD	2987	160	218	06.05-12.10	■	
GRAND CHEROKEE IV (WK, WK2) 06.10-							SUV (Luxury Crossover SUV-J Segment)		
3.6 V6 (ERB)	-12/10	Gasolina	RWD	3604	209	284	11.10-	■	
3.6 V6 4x4 (ERB)	-12/10	Gasolina	4WD	3604	210	286	11.10-	■	