

# LISTA DE APLICACIONES - BUYERS GUIDE

## 181714

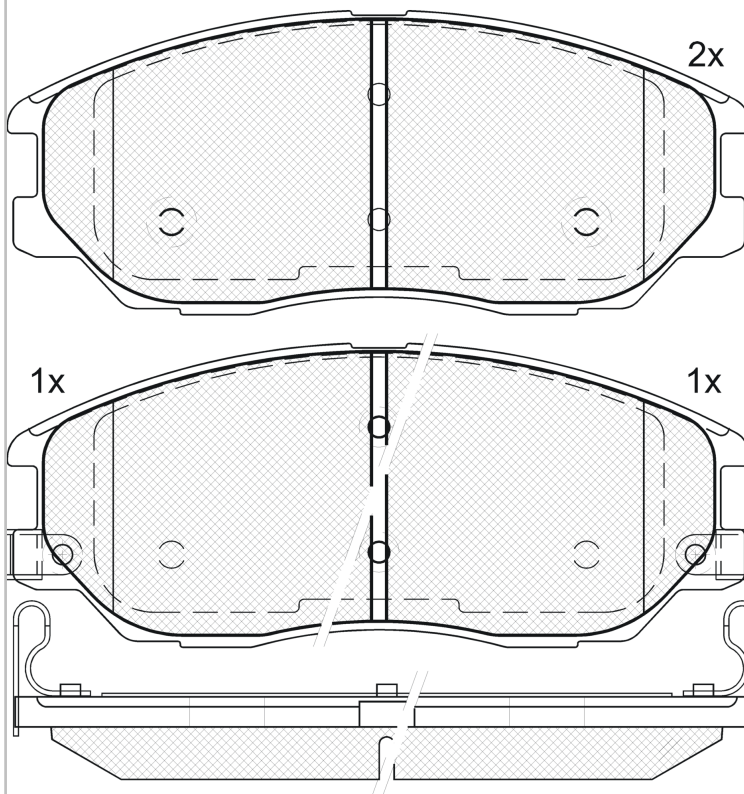


8 424073 093400

Qty: 300

Weight: 2.080

O.E.M.	MAKE
48130-08BA0	SSANGYONG
4813A-21100	SSANGYONG
58101-39A60	HYUNDAI
58101-3BA02	HYUNDAI
58101-3BA10	HYUNDAI
58101-3BA20	HYUNDAI
58101-3FA00	KIA
58101-3FA10	KIA
58101-BA10	HYUNDAI
58101-H1A80	HYUNDAI



## 181714

**E 9** 90R-01111/1277



Mando

148.8x60.8x17.2

WVA	FMSI
23725	D1013-7917
23726	
23727	
23728	
24167	

MAKE
HYUNDAI
KIA
SSANGYONG



Trac.	CC	Kw	CV
-------	----	----	----



Front / Rear

### HYUNDAI

EQUUS / CENTENNIAL (JS) 10.99-03.09							Saloon (Luxury car-F Segment)			
3.5 (G6CU)	01/04-	Gasolina	FWD	3497	155	211	10.99-03.09	■		
4.5 (8A80)		Gasolina	FWD	4498	195	265	10.99-09.03	■		
TERRACAN (HP) 06.01-03.08							SUV Van (Compact SUV-J Segment)			
3.5 i V6 4WD (G6CU)	01/04-	Gasolina	4WD	3497	143	194	12.01-12.06	■		
3.5 i V6 4WD (G6CU)	01/04-	Gasolina	4WD	3497	147	200	12.01-12.06	■		
2.5 D (D4BH)	01/03-	Diesel	RWD	2476	74	101	06.01-10.03	■		
2.5 TD 4WD (D4BH)	01/03-	Diesel	4WD	2476	74	101	12.01-12.06	■		
2.9 CRDi 4WD (J3(CRDI))	01/03-	Diesel	4WD	2902	110	150	11.01-12.06	■		
2.9 CRDi 4WD (J3(CRDI))		Diesel	4WD	2902	120	163	11.03-12.06	■		
TERRACAN (HP) 02.01-03.08							SUV (Compact SUV-J Segment)			
3.5 i V6 4WD (G6CU)	01/04-	Gasolina	4WD	3497	143	194	12.01-12.06	■		
2.5 D (D4BH)	01/03-	Diesel	RWD	2476	74	101	06.01-10.03	■		
2.5 TD (D4BH)	01/03-	Diesel	4WD	2476	74	101	12.01-12.06	■		
2.5 D	01/03-	Diesel	RWD	2477	59	80	06.01-10.03	■		
2.9 CRDi 4WD (J3(CRDI))	01/03-	Diesel	4WD	2902	110	150	12.01-12.06	■		
2.9 CRDi 4WD (J3(CRDI))	01/04-	Diesel	4WD	2902	120	163	11.03-12.06	■		
XG / GRANDEUR (XG) 12.98-12.05							Saloon (Executive car-E Segment)			
350 (G6CU)		Gasolina	FWD	3497	145	197	10.02-12.05	■		

### KIA

OPIRUS / AMANTI (GH) 06.03-							Saloon (Luxury car-F Segment)			
2.7		Gasolina	FWD	2656	120	163	10.03-09.06	■		

# LISTA DE APLICACIONES - BUYERS GUIDE

2.7		Gasolina	FWD	2656	121	165	10.06-02.12	■
2.7		Gasolina	FWD	2656	139	189	10.06-02.12	■
3.0 GH300		Gasolina	FWD	2972	138	188	09.03-09.06	■
3.3		Gasolina	FWD	3342	173	235	10.06-12.07	■
3.5 V6 24V	01/04-	Gasolina	FWD	3495	143	195	06.03-	■
3.5 V6 24V	01/07-	Gasolina	FWD	3495	143	195	06.03-	■
3.5 (G6CU)		Gasolina	FWD	3497	149	203	09.03-12.06	■
3.8 V6 (G6DA)		Gasolina	FWD	3778	196	267	10.06-10.12	■
<b>SSANGYONG</b>								
<b>ACTYON SPORTS 01.12-</b>					<b>Pickup (Compact SUV-J Segment)</b>			
Xdi (D20DTR)		Diesel	4WD	1998	110	150	01.15-	■
2.0 Xdi (D20DTR)		Diesel	RWD	1998	114	155	01.12-	■
2.0 Xdi 4WD (D20DTR)		Diesel	4WD	1998	114	155	01.12-	■
2.2 Xdi (D22DTR)		Diesel	RWD	2157	131	178	07.15-	■
2.2 Xdi 4WD (D22DTR)		Diesel	4WD	2157	131	178	07.15-	■
<b>ACTYON SPORTS (QJ) 11.05-</b>					<b>Pickup (Pick-Up Truck)</b>			
2.0 Xdi (D20DTR)		Diesel	RWD	1998	114	155	09.11-	■
2.0 Xdi 4WD (D20DTR)		Diesel	4WD	1998	114	155	09.11-	■
<b>KYRON 05.05-</b>					<b>SUV (Compact SUV-J Segment)</b>			
2.3 (M 161.970)		Gasolina	RWD	2295	110	150	01.10-12.14	■
3.2 M320 4x4 (G32D)		Gasolina	4WD	3199	162	220	03.06-12.14	■
2.0 Xdi (D20DT)		Diesel	RWD	1998	100	136	01.10-12.14	■
2.0 Xdi 4x4 (D20DT)		Diesel	4WD	1998	100	136	01.10-12.14	■
2.0 Xdi (D20DT)		Diesel	RWD	1998	104	141	05.05-12.14	■
2.0 Xdi 4x4 (D20DT)		Diesel	4WD	1998	104	141	05.05-12.14	■
2.7 Xdi 4x4 (D27DT)		Diesel	4WD	2696	120	163	03.06-12.14	■
2.7 Xdi 4x4 (D27DT)		Diesel	4WD	2696	121	165	05.05-12.14	■
<b>REXTON / Rexton II 04.02-</b>					<b>SUV Van (Executive SUV-J Segment)</b>			
RX270 XDi 4x4	07/12-	Diesel	4WD	2696	118	160	03.11-04.13	■
RX270 XDi 4x4	07/12-	Diesel	4WD	2696	132	179	03.11-04.13	■
<b>REXTON / Rexton II (GAB_) 04.02-</b>					<b>SUV (Executive SUV-J Segment)</b>			
2.3 RX230 4x4 (G23D)		Gasolina	4WD	2295	110	150	05.02-08.06	■
2.8 RX280 4x4	07/12-	Gasolina	4WD	2797	142	193	03.03-	■
3.2 RX320 4x4 (G32D)	07/12-	Gasolina	4WD	3199	162	220	04.02-	■
2.0 TD		Diesel	RWD	1998	101	137	01.11-	■
2.7 Xdi 4x4 (D27DT)	07/12-	Diesel	4WD	2696	118	160	03.11-04.13	■
2.7 Xdi (D27DT)	07/12-	Diesel	4WD	2696	120	163	08.04-	■
2.7 Xdi 4x4 (D27DT)		Diesel	4WD	2696	121	165	05.04-05.12	■
2.7 CRDi 4x4 (D27DT)		Diesel	4WD	2696	130	176	12.03-12.09	■
2.7 Xdi Turbo 4x4 (D27DTP)	07/12-	Diesel	4WD	2696	132	180	03.08-	■
2.7 D 4x4 (D27DTP)	07/12-	Diesel	4WD	2696	137	186	06.06-	■
2.9 TD		Diesel	4WD	2874	88	120	04.02-08.06	■
<b>REXTON W / REXTON 07.12-</b>					<b>SUV Van (Executive SUV-J Segment)</b>			
e-XDi		Diesel	RWD	2157	131	178	07.15-	■
e-XDi A las 4 ruedas		Diesel	4WD	2157	131	178	07.15-	■
<b>REXTON W / REXTON 07.12-</b>					<b>SUV (Executive SUV-J Segment)</b>			
2.0 Xdi (D20DTR)		Diesel	RWD	1998	110	150	07.13-11.15	■
2.0 Xdi A las 4 ruedas (D20DTR)		Diesel	4WD	1998	110	150	07.13-11.15	■

# LISTA DE APLICACIONES - BUYERS GUIDE

2.0 Xdi (D20DTR)		Diesel	RWD	1998	114	155	07.12-11.15	■	
2.0 Xdi A las 4 ruedas (D20DTR)		Diesel	4WD	1998	114	155	07.12-11.15	■	
2.2 Xdi		Diesel	RWD	2157	131	178	07.15-06.17	■	
2.2 Xdi A las 4 ruedas		Diesel	4WD	2157	131	178	07.15-06.17	■	
2.2 Xdi		Diesel	FWD	2157	133	181	06.17-	■	
2.7 Xdi A las 4 ruedas (D27DT)		Diesel	4WD	2696	121	165	07.12-06.17	■	
2.7 Xdi A las 4 ruedas (D27DTP)		Diesel	4WD	2696	137	186	10.12-06.17	■	
<b>RODIUS II / STAVIC 06.13-</b>					<b>MPV (Large MPV-M1 Segment)</b>				
3.2		Gasolina	RWD	3199	162	220	07.13-	■	
3.2 4WD (G32D)		Gasolina	4WD	3199	162	220	07.13-	■	
2.0 Xdi (D20DTR)		Diesel	RWD	1998	110	150	06.13-	■	
2.0 Xdi (D20DTR)		Diesel	RWD	1998	114	155	07.13-	■	
2.0 Xdi 4WD (D20DTR)		Diesel	4WD	1998	114	155	07.13-	■	
2.2 Xdi		Diesel	RWD	2157	131	178	07.15-	■	
2.2 Xdi 4WD		Diesel	4WD	2157	131	178	07.15-	■	
<b>RODIUS II / STAVIC (CA1) 06.13-</b>					<b>SUV Van (Large MPV-M1 Segment)</b>				
e-XDi		Diesel	RWD	2157	131	178	07.15-	■	
e-XDi 4WD		Diesel	4WD	2157	131	178	07.15-	■	
<b>RODIUS / STAVIC 02.05-12.14</b>					<b>MPV (Large MPV-M1 Segment)</b>				
3.2 (G32D)	01/07-	Gasolina	RWD	3199	162	220	05.05-	■	
3.2 4WD (G32D)		Gasolina	4WD	3199	162	220	07.07-	■	
2.7 Xdi (D27DT)		Diesel	RWD	2696	120	163	05.05-	■	
2.7 Xdi 4WD (D27DT)		Diesel	4WD	2696	120	163	05.05-	■	
2.7 Xdi (D27DT)		Diesel	RWD	2696	121	165	05.05-	■	
2.7 Xdi 4WD (D27DT)		Diesel	4WD	2696	121	165	05.05-12.12	■	
<b>STAVIC 02.05-</b>					<b>MPV (Compact SUV-J Segment)</b>				
3.2 4x4		Gasolina	4WD	3199	162	220	02.05-	■	
2.0 200 XDi		Diesel	RWD	1998	100	136	06.13-	■	
2.7 270 sXDi (D27DT)		Diesel	RWD	2696	121	165	02.05-12.12	■	
2.7 270 sXDi 4x4 (D27DT)		Diesel	4WD	2696	121	165	02.05-12.12	■	
<b>TURISMO 08.13-</b>					<b>MPV (Large MPV-M1 Segment)</b>				
2.0 D		Diesel	RWD	1998	114	155	08.13-	■	
2.0 D		Diesel	RWD	1998	114	155	08.13-	■	