

LISTA DE APLICACIONES - BUYERS GUIDE

181718

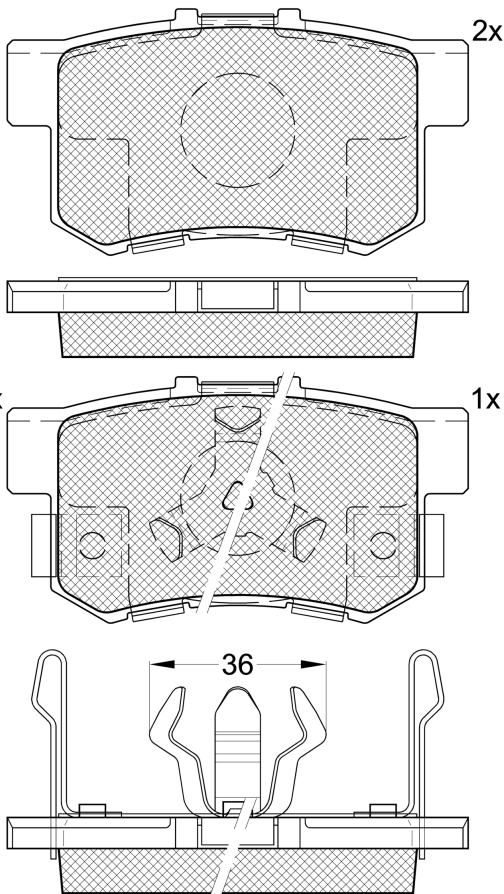


8 424073 093448

Qty: 944

Weight: 897

O.E.M.	MAKE
06430-S3N-J00	HONDA
06430-SCV-A00	HONDA
43022-S9A-000	HONDA
43022-S9A-010	HONDA
43022-S9A-030	HONDA
43022-S9A-E00	HONDA
43022-SCV-A00	HONDA
43022-SCV-A01	HONDA
43022-SJF-000	HONDA
43022-SJF-E00	HONDA
43022-SXS-000	ACURA
43022-SXS-010	ACURA
43022-T0G-A00	HONDA
43022-T0G-A01	HONDA
43022-T2M-T00	HONDA
43022-TL0-G50	HONDA
43022-TL0-G51	HONDA
43022-TL0-G52	HONDA
43022-TP6-A00	HONDA
43022-TP6-A01	HONDA
43022-TP6-A02	HONDA



181718

E 9 90R-01110/1418



Akebono

88.8x47.41x15.3

WVA	FMSI
23736	D1086-7418
24231	
24232	
24233	
24388	

MAKE
ACURA
HONDA
HONDA (DONGFENG)



Trac.	CC	Kw	CV



Front / Rear

ACURA

RDX 04.06-12.12						SUV (Luxury Crossover SUV-J Segment)			
2.3 Turbo (K23A1)		Gasolina	FWD	2300	179	243	04.06-12.12		■
2.3 Turbo A las 4 ruedas (K23A1)		Gasolina	4WD	2300	179	243	04.06-12.12		■
RDX II (U.S.A.) 09.11-						Closed Off-Road Vehicle (Luxury Crossover SUV-J Segment)			
3.5		Gasolina	FWD				09.12-		■
3.5		Gasolina	FWD				09.12-		■
RDX II 01.12-						SUV (Luxury Crossover SUV-J Segment)			
3.5 AWD (J35Z2)		Gasolina	4WD	3471	204	277	01.12-08.15		■
3.5		Gasolina	FWD	3471	208	283	09.15-05.18		■
3.5 AWD		Gasolina	4WD	3471	208	283	09.15-05.18		■

HONDA

ACCORD IX (CR) 09.12-						Saloon (Executive car-E Segment)			
2.4 (CR2) (K24W2)		Gasolina	FWD	2356	132	180	07.14-		■
2.4 (CR2) (K24W3)		Gasolina	FWD	2356	132	180	07.14-		■
ACCORD VIII (CW) 07.08-						Estate (Compact executive car-D Segment)			
2.0 i	Automatic Transmiss.	Gasolina	FWD	1997	110	150	07.08-		■
2.0 i (CW1) (R20A3)	Automatic Transmiss.	Gasolina	FWD	1997	115	156	07.08-06.15		■
2.4 i (CW2) (K24Z3)	Automatic Transmiss.	Gasolina	FWD	2356	148	201	07.08-06.15		■
2.2 i-DTEC (CW3) (N22B1)	Automatic Transmiss.	Diesel	FWD	2199	110	150	07.08-06.15		■
2.2 i-DTEC (CW3) (N22B2)		Diesel	FWD	2199	132	180	07.08-06.15		■

LISTA DE APLICACIONES - BUYERS GUIDE

ACCORD VIII (CP) 09.07-					Saloon (Executive car-E Segment)			
2.0 i-VTEC (CP1) (R20A3)	Automatic Transmiss.	Gasolina	FWD	1997	114	155	07.08-09.12	■
2.4		Gasolina	FWD	2354	136	185	02.08-	■
3.5 V 6 (CP3) (J35Z2)		Gasolina	FWD	3471	202	275	09.07-09.12	■
ACCORD VIII / ACCORD EURO (CU) 04.08-					Saloon (Executive car-E Segment)			
2.0 i	Automatic Transmiss.	Gasolina	FWD	1997	110	150	07.08-	■
2.0 i (CU1) (R20A3)	Automatic Transmiss.	Gasolina	FWD	1997	115	156	06.08-06.15	■
2.4		Gasolina	FWD	2354	148	201	06.08-12.08	■
2.4 i (CU2) (K24Z3)	Automatic Transmiss.	Gasolina	FWD	2356	148	201	07.08-06.15	■
2.2 i-DTEC (CU3) (N22B1)		Diesel	FWD	2199	110	150	07.08-06.15	■
2.2 i-DTEC (CU3) (N22B2)		Diesel	FWD	2199	132	180	07.08-06.15	■
CROSSTOUR 09.09-					Hatchback (Luxury Crossover SUV-J Segment)			
2.4 (K24Y2)		Gasolina	FWD	2354	143	194	09.12-	■
3.5 4WD (J35Z2)		Gasolina	4WD	3471	202	275	01.12-	■
3.5 4WD (J35Y1)		Gasolina	4WD	3471	207	282	09.12-	■
CR-V II (RD_) 09.01-07.07					SUV (Compact SUV-J Segment)			
2.0 (RD5) (K20A4)	01/05-	Gasolina	4WD	1998	110	150	09.01-03.07	■
2.0		Gasolina	4WD	1998	112	152	03.02-09.06	■
2.4 Vtec (RD6)		Gasolina	FWD	2354	118	160	01.02-12.06	■
2.4 Vtec 4WD (RD7) (K24A1)	01/05-	Gasolina	4WD	2354	118	160	09.01-09.06	■
2.4 4WD (RD7)		Gasolina	4WD	2354	119	162	09.01-12.06	■
2.2 CTDi (RD9) (N22A2)		Diesel	4WD	2204	103	140	02.05-09.06	■
CR-V III (RE_) 06.06-					SUV (Compact SUV-J Segment)			
2.0 i-VTEC 16V 4WD	01/07-	Gasolina	FWD	1995	110	150	06.06-	■
2.2 i-CTDi 16V 4WD	01/07-	Diesel	RWD	2195	103	140	06.06-	■
CR-V IV (RM_) 01.12-					SUV (Compact SUV-J Segment)			
2.4		Gasolina	FWD	2354	127	173	09.12-	■
2.4 4WD (K24A1)		Gasolina	4WD	2354	136	185	01.12-12.17	■
2.4 AWD (RM4) (K24Z9)		Gasolina	4WD	2354	140	190	01.12-12.18	■
2.4 AWD (K24W)		Gasolina	4WD	2356	138	188	09.15-12.18	■
ELEMENT (YH) 07.02-12.11					SUV (Compact SUV-J Segment)			
2.4 Vtec 4x4 (YH2) (K24A6)		Gasolina	4WD	2354	118	160	07.02-12.11	■
2.4 (K24A4)		Gasolina	FWD	2354	119	162	07.02-12.05	■
2.4 4x4 (K24A4)		Gasolina	4WD	2354	119	162	07.02-12.05	■
2.4 4WD (K24A8)		Gasolina	4WD	2354	124	169	09.06-12.11	■
FR-V / EDIX (BE) 08.04-					MPV (Compact MPV-M1 Segment)			
1.7 (BE1) (D17A2)	01/05-	Gasolina	FWD	1668	92	125	08.04-09.06	■
1.8 (BE1) (R18A1)		Gasolina	FWD	1799	103	140	01.07-12.09	■
2.0 (BE3) (K20A9)		Gasolina	FWD	1998	110	150	02.05-12.06	■
2.0 (BE3) (K20A9)		Gasolina	FWD	1998	114	155	08.04-09.06	■
2.2 i CTDi (BE5) (N22A1)		Diesel	FWD	2204	103	140	07.05-12.09	■
SHUTTLE / ODYSSEY (RA) 06.94-06.04					MPV (Compact MPV-M1 Segment)			
3.0 (RA8) (J30A1)		Gasolina	FWD	2997	154	209	10.97-06.04	■
3.0 4x4 (RA9) (J30A1)		Gasolina	4WD	2997	154	209	10.97-06.02	■
HONDA (DONGFENG)								
CR-V II (RD_) 06.04-02.07					Closed Off-Road Vehicle (Compact SUV-J Segment)			
2.0		Gasolina	FWD	1998	110	148	06.04-02.07	■

LISTA DE APLICACIONES - BUYERS GUIDE

2.4		Gasolina	FWD	2354	118	158	06.04-02.07
-----	--	----------	-----	------	-----	-----	-------------

