

# LISTA DE APLICACIONES - BUYERS GUIDE

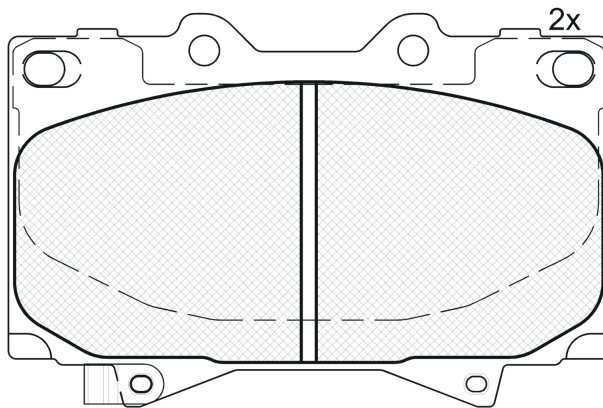
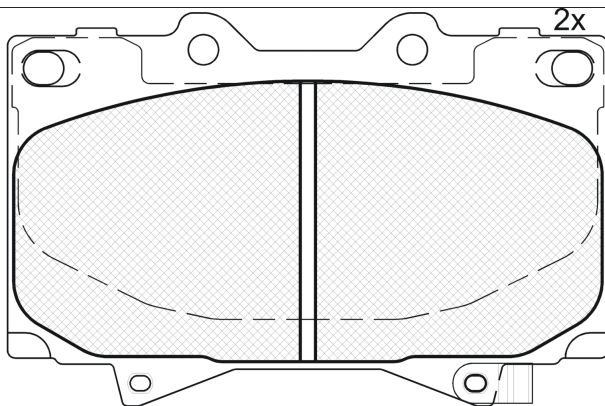
## 181723



Qty: 300

Weight: 2.165

O.E.M.	MAKE
04465-60120	TOYOTA
04465-60140	TOYOTA
04465-60150	TOYOTA
04465-60151	TOYOTA
04465-60160	TOYOTA
04465-60170	TOYOTA
04465-60190	TOYOTA
04465-60220	LEXUS
04465-60230	LEXUS
04465-60240	TOYOTA
04465-60250	TOYOTA
04465-60340	TOYOTA
04465-YZZCM	LEXUS
04465-YZZDG	TOYOTA



## 181723

**E 9** 90R-01111/1381



Sumitomo

119.4x78.1x17.4

WVA	FMSI
23524	D772-7639
23525	

MAKE
BAW
LEXUS
TOYOTA



Trac.	CC	Kw	CV		Front / Rear
-------	----	----	----	--	--------------

### BAW

LUBA 06.03-	Hatchback (Compact SUV-J Segment)							
2.4		Gasolina	FWD	2351	96	129	01.05-	■
2.4		Gasolina	FWD	2351	96	129	01.05-	■
2.4		Gasolina	FWD	2438	105	143	01.05-	■
2.4		Gasolina	FWD	2438	105	143	01.05-	■
2.7		Gasolina	FWD	2693	110	150	01.05-	■
2.7		Gasolina	FWD	2693	110	150	01.05-	■
3.0		Gasolina	FWD	2960	118	158	01.05-	■
3.4		Gasolina	FWD	3378	136	182	01.05-	■

### LEXUS

LX II (UZJ100) 09.97-12.08	SUV (Luxury Crossover SUV-J Segment)							
470 (UZJ100) (2UZ-FE)		Gasolina	4WD	4664	170	231	05.98-03.08	■
470 (UZJ100) (2UZ-FE)		Gasolina	4WD	4664	173	235	05.98-03.08	■
470 (UZJ100) (2UZ-FE)	01/01-	Gasolina	4WD	4664	197	268	05.98-03.08	■
470 (UZJ100) (2UZ-FE)		Gasolina	4WD	4664	202	275	08.02-03.08	■

### TOYOTA

LAND CRUISER 100 (_J1_) 01.98-07.08	Closed Off-Road Vehicle (Confort SUV-J Segment)							
4.7 (UZJ100_, UZJ100R) (2UZ-FE)		Gasolina	4WD	4664	173	235	01.98-08.07	■
4.7 (UZJ100) (2UZ-FE)		Gasolina	4WD	4664	175	238	02.02-08.07	■
4.2 D (HZJ105) (1H-Z)		Diesel	4WD	4164	96	131	03.98-08.07	■
4.2 TD (HDJ100_, HDJ100) (1HD-FTE)		Diesel	4WD	4164	150	204	01.98-08.07	■
4.2 TDi 24V	-12/03	Diesel	RWD	4164	150	204	01.98-07.08	■

# LISTA DE APLICACIONES - BUYERS GUIDE

<b>LAND CRUISER PRADO (_J12_) 09.02-12.10</b>					<b>Closed Off-Road Vehicle (Large SUV-J Segment)</b>			
4.0 (GRJ120, GRJ125) (1GR-FE)	Gasolina	4WD	3956	179	243	09.02-08.10	■	
4.0 (GRJ120, GRJ125, GRJ121) (1GR-FE)	Gasolina	4WD	3956	183	249	12.02-12.10	■	
4.0 V6 VVT-i (GRJ125) (1GR-FE)	Gasolina	4WD	3956	207	282	01.03-07.09	■	
2.8 D-4D (GDJ150, GDJ155) (1GD-FTV)	Diesel	4WD	2755	147	200	10.18-	■	
3.0 D-4D (KDJ120, KDJ125, KDJ121) (1KD-FTV)	Diesel	4WD	2982	120	163	09.02-08.09	■	
3.0 D-4D (KDJ120, KDJ125, KDJ121) (1KD-FTV)	Diesel	4WD	2982	122	166	07.04-08.09	■	
3.0 D-4D (KDJ120, KDJ125, KDJ121) (1KD-FTV)	Diesel	4WD	2982	127	173	09.02-12.10	■	
3.0 D-4D (KDJ120_) (1KD-FTV)	Diesel	4WD	2982	150	204	08.06-07.09	■	