

LISTA DE APLICACIONES - BUYERS GUIDE

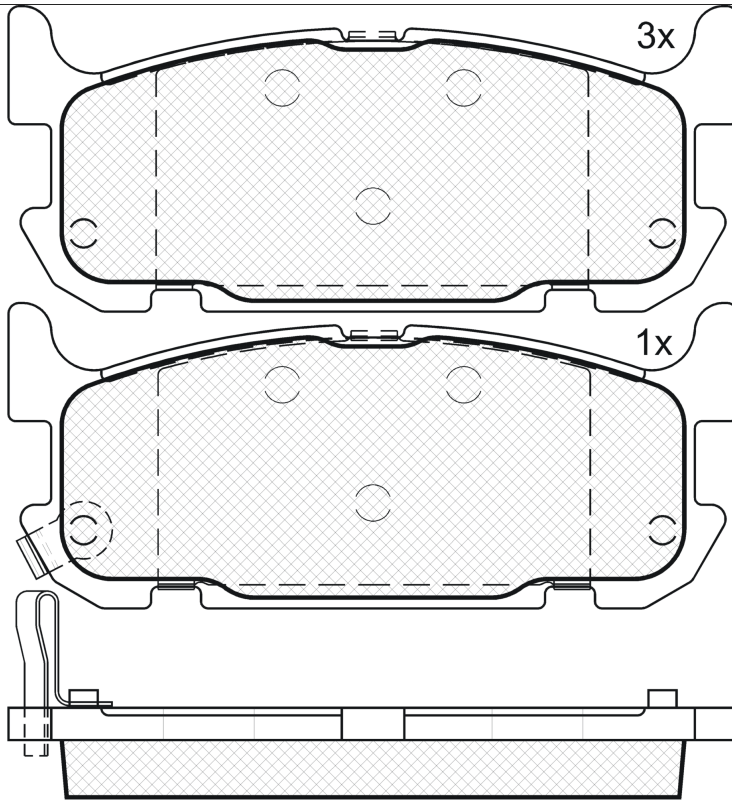
181738



Qty: 944

Weight: 765

O.E.M.	MAKE
N0Y72648ZC	MAZDA
N0Y92643ZC	MAZDA
NCY3-26-43Z	MAZDA
NCY3-26-43ZA	MAZDA
NCY3-26-48Z	MAZDA
NCY3-26-48ZA	MAZDA



Loose Shims

181738

E 9 **90R-01110/737**



Akebono

101.96x42.67x13.1

WVA	FMSI
24029	D1002-7903
24030	

MAKE
EUNOS
MAZDA



Trac.	CC	Kw	CV
-------	----	----	----



Front / Rear

EUNOS

ROADSTER II (NB) 01.98-10.05						Convertible (Sports car-S Segment)			
1.6 16V (B6D)		Gasolina	RWD	1598	81	110	01.98-10.05		■

MAZDA

MX-5 II (NB) 01.98-10.05						Convertible (Sports car-S Segment)			
1.6 16V (NB6C) (B6MC)	06/03-, sports chassis	Gasolina	RWD	1597	81	110	05.98-10.05		■
1.6 16V (NB6C) (B6MU)	06/03-, sports chassis	Gasolina	RWD	1597	81	110	05.98-10.05		■
1.8 (NB8C) (BP5A)		Gasolina	RWD	1839	103	140	01.98-07.02		■
1.8 (NB8C) (BP6J)		Gasolina	RWD	1839	103	140	01.98-07.02		■
1.8 (NB8C)	06/03-	Gasolina	RWD	1839	107	146	08.02-10.05		■
1.8 16V (NB8C) (BP6J)		Gasolina	RWD	1840	102	139	11.00-10.05		■
1.8 16V (NB8C) (BP5A)	06/03-	Gasolina	RWD	1840	103	140	05.98-10.05		■
1.8 16V (NB8C) (BP6J)	06/03-	Gasolina	RWD	1840	103	140	05.98-10.05		■
1.8 16V (NB8C) (BP6J)	06/03-	Gasolina	RWD	1840	107	146	11.00-10.05		■
1.8 16V (NB8C) (BP-ZE)	06/03-	Gasolina	RWD	1840	107	146	11.00-10.05		■