

LISTA DE APLICACIONES - BUYERS GUIDE

181739

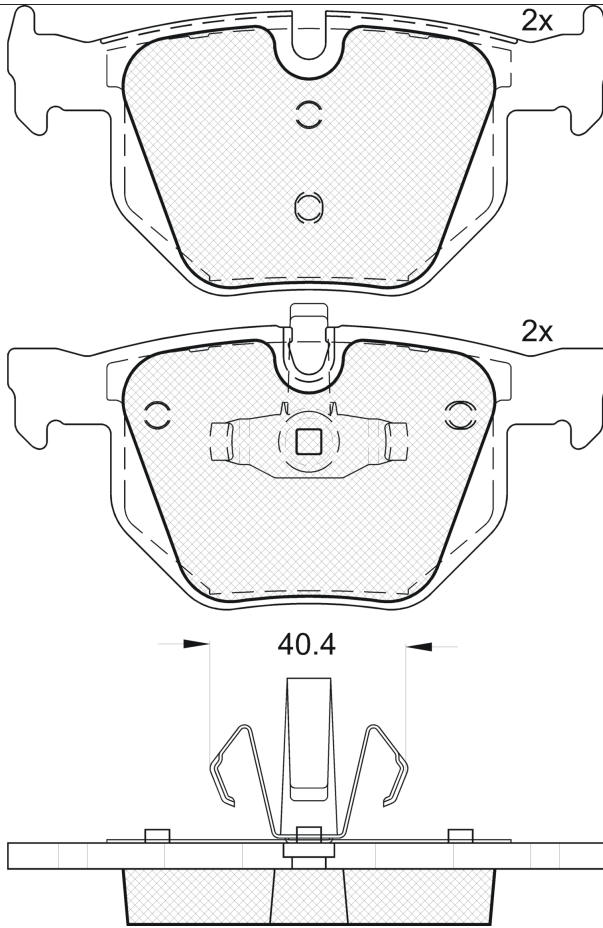


8 424073 094179

Qty: 944

Weight: 1.280

O.E.M.	MAKE
34 11 6 767 105	BMW
34 12 1 288 895	BMW
34 12 1 288 896	-
34 21 2 288 895	BMW
34 21 2 288 896	BMW
34 21 6 769 105	BMW
34 21 6 775 678	BMW
34 21 6 790 762	BMW
34 21 6 791 938	BMW



181739

E 9 90R-01110/1307



Ate - Teves

123.2x58.1x17.3
123.2x59.3x17.3

WVA	FMSI
23550	D1170-7427
23551	
MAKE	
BMW	



Trac.	CC	Kw	CV
-------	----	----	----



Front / Rear

BMW

3 Serie V (E93) 05.06-12.13						Convertible (Compact executive car-D Segment)			
318i (N43 B20 A)		Gasolina	RWD	1995	105	143	03.10-12.13		■
320i (N43 B20 A)	-12/12	Gasolina	RWD	1995	125	170	03.07-10.13		■
323 i		Gasolina	FWD	2497	130	177	03.07-09.11		■
335 i (N54 B30 A)	-12/12	Gasolina	RWD	2979	225	306	12.06-10.13		■
335 i (N55 B30 A)	-12/12	Gasolina	RWD	2979	225	306	12.06-10.13		■
335 i (N54 B30 A)		Gasolina	RWD	2979	240	326	05.06-10.13		■
335 i (N55 B30 A)		Gasolina	RWD	2979	240	326	05.06-10.13		■
325i (N53 B30 A)	-12/12	Gasolina	RWD	2996	160	218	03.07-12.13		■
330i (N52 B30 A)	-12/12	Gasolina	RWD	2996	190	258	03.10-10.13		■
330i (N52 B30 AF)	-12/12	Gasolina	RWD	2996	190	258	03.10-10.13		■
330i (N53 B30 A)	-12/12	Gasolina	RWD	2996	200	272	03.07-10.13		■
330i (N52 B30 A)		Gasolina	RWD	2996	200	272	03.07-02.10		■
320 d (N47 D20 A)		Diesel	RWD	1995	130	177	03.08-02.10		■
320 d (N47 D20 C)		Diesel	RWD	1995	130	177	03.08-02.10		■
320 d (N47 D20 C)	-12/12	Diesel	RWD	1995	135	184	03.10-10.13		■
325 d (M57 D30 (306D3))		Diesel	RWD	2993	145	197	03.07-12.10		■
325 d (N57 D30 A)		Diesel	RWD	2993	150	204	09.09-09.13		■
325 d (M57 D30 (306D3))		Diesel	RWD	2993	155	211	03.07-12.10		■
330 d (M57 D30 (306D3))	-12/12	Diesel	RWD	2993	170	231	03.07-12.13		■
330 d (N57 D30 A)	-12/12	Diesel	RWD	2993	180	245	01.09-09.13		■
3 Serie V (E92) 01.05-12.13						Coupe (Compact executive car-D Segment)			
318i (N43 B20 A)		Gasolina	RWD	1995	105	143	03.10-12.13		■

LISTA DE APLICACIONES - BUYERS GUIDE

320i (N43 B20 A)	-12/12	Gasolina	RWD	1995	125	170	03.07-06.13	■	
323 i		Gasolina	FWD	2497	130	177	04.06-02.12	■	
335 i xDrive (N54 B30 A)		Gasolina	4WD	2979	224	305	01.09-06.13	■	
335 i (N54 B30 A)	-12/12	Gasolina	RWD	2979	225	306	06.06-06.13	■	
335 i (N55 B30 A)	-12/12	Gasolina	RWD	2979	225	306	06.06-06.13	■	
335 i xDrive (N54 B30 A)	-12/12	Gasolina	4WD	2979	225	306	11.08-12.13	■	
335 i xDrive (N55 B30 A)	-12/12	Gasolina	4WD	2979	225	306	11.08-12.13	■	
335 xi (N54 B30 A)		Gasolina	4WD	2979	225	306	03.07-02.10	■	
335 xi (N55 B30 A)		Gasolina	4WD	2979	225	306	03.07-02.10	■	
335 i (N54 B30 A)		Gasolina	RWD	2979	240	326	06.06-06.13	■	
335 i (N55 B30 A)		Gasolina	RWD	2979	240	326	06.06-06.13	■	
335 i xDrive (N55 B30 A)		Gasolina	4WD	2979	240	326	11.08-06.13	■	
335 xi (N54 B30 A)		Gasolina	4WD	2979	240	326	03.07-02.10	■	
325i (N53 B30 A)	-12/12	Gasolina	RWD	2996	160	218	09.07-06.13	■	
325 i xDrive (N53 B30 A)	-12/12	Gasolina	4WD	2996	160	218	09.08-12.13	■	
325 xi (N53 B30 A)		Gasolina	4WD	2996	160	218	09.07-08.08	■	
3.0 328i		Gasolina	FWD	2996	187	254	08.06-11.07	■	
330i (N52 B30 A)		Gasolina	RWD	2996	190	258	03.10-06.13	■	
330 xi (N52 B30 A)		Gasolina	4WD	2996	190	258	09.06-08.07	■	
330i (N52 B30 A)		Gasolina	RWD	2996	200	272	09.06-02.10	■	
330i (N52 B30 AF)		Gasolina	RWD	2996	200	272	09.06-02.10	■	
330i (N52 B30 BF)		Gasolina	RWD	2996	200	272	09.06-02.10	■	
330i (N53 B30 A)		Gasolina	RWD	2996	200	272	09.07-06.13	■	
330 i xDrive (N53 B30 A)	-12/12	Gasolina	4WD	2996	200	272	03.10-06.13	■	
330 xi (N52 B30 A)		Gasolina	4WD	2996	200	272	09.06-08.07	■	
330 xi (N53 B30 A)		Gasolina	4WD	2996	200	272	03.07-02.10	■	
320 d xDrive (N47 D20 C)		Diesel	4WD	1995	130	177	09.08-02.10	■	
320 xd		Diesel	4WD	1995	130	177	09.08-02.10	■	
320 d (N47 D20 C)	-12/12	Diesel	RWD	1995	135	184	03.10-06.13	■	
320 d xDrive (N47 D20 C)	-12/12	Diesel	4WD	1995	135	184	03.10-06.13	■	
325 d (M57 D30 (306D3))		Diesel	RWD	2993	145	197	02.07-02.10	■	
325 d (N57 D30 A)	-12/12	Diesel	RWD	2993	150	204	09.09-06.13	■	
325 d (M57 D30 (306D3))		Diesel	RWD	2993	155	211	02.07-02.10	■	
330 d (M57 D30 (306D3))		Diesel	RWD	2993	170	231	03.06-08.08	■	
330 xd (M57 D30 (306D3))		Diesel	4WD	2993	170	231	03.06-08.08	■	
330 d (N57 D30 A)	-12/12	Diesel	RWD	2993	180	245	01.09-06.13	■	
330 d xDrive (N57 D30 A)	-12/12	Diesel	4WD	2993	180	245	02.10-06.13	■	
330 xd (N57 D30 A)		Diesel	4WD	2993	180	245	03.08-02.10	■	
335 d (M57 D30 (306D5))	-12/12	Diesel	RWD	2993	210	286	03.06-03.13	■	
3 Serie V (E90) 02.04-12.13							Saloon (Compact executive car-D Segment)		
320i (N46 B20 B)		Gasolina	RWD	1995	115	156	02.07-12.11	■	
320i (N46 B20 C)		Gasolina	RWD	1995	115	156	02.07-12.11	■	
320i (N46 B20 CC)		Gasolina	RWD	1995	115	156	02.07-12.11	■	
320i (N46 B20 CD)		Gasolina	RWD	1995	115	156	02.07-12.11	■	
320i (N46 B20 E)		Gasolina	RWD	1995	115	156	02.07-12.11	■	
320i (N43 B20 A)		Gasolina	RWD	1995	120	163	03.07-12.11	■	
320i (N43 B20 A)		Gasolina	RWD	1995	125	170	09.07-10.11	■	
325i		Gasolina	FWD	2494	141	189	09.07-12.08	■	
323 i (N52 B25 A)		Gasolina	RWD	2497	130	177	09.05-02.07	■	
323 i (N52 B25 B)		Gasolina	RWD	2497	130	177	09.05-02.07	■	
323 i (N52 B25 BE)		Gasolina	RWD	2497	130	177	09.05-02.07	■	

LISTA DE APLICACIONES - BUYERS GUIDE

323 i (N52 B25 BF)		Gasolina	RWD	2497	130	177	09.05-02.07	■
325i (N52 B25 A)		Gasolina	RWD	2497	155	211	01.06-12.11	■
325i (N52 B25 A)	not M technique, increased payload	Gasolina	RWD	2497	160	218	12.04-12.11	■
325i (N52 B25 B)	not M technique, increased payload	Gasolina	RWD	2497	160	218	12.04-12.11	■
325i (N52 B25 BF)	not M technique, increased payload	Gasolina	RWD	2497	160	218	12.04-12.11	■
325 xi (N52 B25 A)	increased payload	Gasolina	4WD	2497	160	218	09.05-08.08	■
330i		Gasolina	FWD	2979	175	235	09.06-12.07	■
335 i (N54 B30 A)		Gasolina	RWD	2979	220	299	03.06-12.11	■
335 i (N55 B30 A)		Gasolina	RWD	2979	220	299	03.06-12.11	■
335 i (N54 B30 A)		Gasolina	RWD	2979	224	305	03.06-12.11	■
335 i xDrive		Gasolina	4WD	2979	224	305	05.08-10.11	■
335 xi (N54 B30 A)		Gasolina	4WD	2979	224	305	09.06-06.08	■
335 i (N54 B30 A)		Gasolina	RWD	2979	225	306	09.06-12.11	■
335 i (N55 B30 A)		Gasolina	RWD	2979	225	306	09.06-12.11	■
335 i xDrive (N54 B30 A)		Gasolina	4WD	2979	225	306	09.08-10.11	■
335 i xDrive (N55 B30 A)		Gasolina	4WD	2979	225	306	09.08-10.11	■
335 xi (N54 B30 A)		Gasolina	4WD	2979	225	306	03.07-08.08	■
335 i (N54 B30 A)		Gasolina	RWD	2979	240	326	03.06-12.11	■
335 i (N55 B30 A)		Gasolina	RWD	2979	240	326	03.06-12.11	■
335 i xDrive (N54 B30 A)		Gasolina	4WD	2979	240	326	05.08-10.11	■
335 i xDrive (N55 B30 A)		Gasolina	4WD	2979	240	326	05.08-10.11	■
335 xi (N54 B30 A)		Gasolina	4WD	2979	240	326	09.06-06.08	■
325i (N53 B30 A)		Gasolina	RWD	2996	155	211	03.07-12.11	■
325 i xDrive (N53 B30 A)		Gasolina	4WD	2996	155	211	09.08-10.11	■
325i (N53 B30 A)	not M technique, increased payload, discØ 336	Gasolina	RWD	2996	160	218	03.07-12.11	■
325 i xDrive (N53 B30 A)	increased payload, discØ 336	Gasolina	4WD	2996	160	218	09.08-10.11	■
325 xi (N53 B30 A)	increased payload, discØ 336	Gasolina	4WD	2996	160	218	09.07-08.08	■
325 xi (N52 B30 A)		Gasolina	4WD	2996	160	218	09.05-08.06	■
328i		Gasolina	RWD	2996	187	254	07.05-11.07	■
330i (N52 B30 A)		Gasolina	RWD	2996	190	258	12.04-10.11	■
330i (N52 B30 BF)		Gasolina	RWD	2996	190	258	12.04-10.11	■
330 xi (N52 B30 A)		Gasolina	4WD	2996	190	258	09.05-08.07	■
330i (N53 B30 A)		Gasolina	RWD	2996	200	272	09.07-10.11	■
330i (N52 B30 A)		Gasolina	RWD	2996	200	272	03.07-12.11	■
330i (N52 B30 BF)		Gasolina	RWD	2996	200	272	03.07-12.11	■
330 i xDrive (N53 B30 A)		Gasolina	4WD	2996	200	272	09.08-10.11	■
330 xi (N53 B30 A)		Gasolina	4WD	2996	200	272	09.07-08.08	■
320 d (M47 D20 (204D4))	not M technique	Diesel	RWD	1995	110	150	12.04-09.07	■
320 d	not M technique	Diesel	RWD	1995	115	156	12.04-09.07	■
320 d (M47 D20 (204D4))	not M technique	Diesel	RWD	1995	120	163	12.04-10.11	■
320 d (N47 D20 A)	not M technique	Diesel	RWD	1995	120	163	12.04-10.11	■
320 d (N47 D20 C)	not M technique	Diesel	RWD	1995	120	163	12.04-10.11	■
320 d xDrive (N47 D20 C)		Diesel	4WD	1995	120	163	09.08-10.11	■
320 d (N47 D20 A)	government vehicles, not M technique, discØ 336	Diesel	RWD	1995	130	177	09.07-02.10	■
320 d (N47 D20 C)	government vehicles, not M technique, discØ 336	Diesel	RWD	1995	130	177	09.07-02.10	■
320 d xDrive (N47 D20 A)		Diesel	4WD	1995	130	177	09.08-02.10	■
320 d xDrive (N47 D20 C)		Diesel	4WD	1995	130	177	09.08-02.10	■
320 xd		Diesel	4WD	1995	130	177	09.07-12.11	■
320 d (N47 D20 C)	government vehicles	Diesel	RWD	1995	135	184	03.10-10.11	■

LISTA DE APLICACIONES - BUYERS GUIDE

320 d xDrive (N47 D20 C)		Diesel	4WD	1995	135	184	03.10-10.11	■	
325 d (M57 D30 (306D3))	not M technique	Diesel	RWD	2993	145	197	09.06-02.10	■	
325 d (N57 D30 A)		Diesel	RWD	2993	150	204	03.10-10.11	■	
330 d (M57 D30 (306D3))		Diesel	RWD	2993	155	211	09.05-12.11	■	
330 d (N57 D30 A)		Diesel	RWD	2993	155	211	09.05-12.11	■	
330 d (M57 D30 (306D3))		Diesel	RWD	2993	170	231	09.05-09.08	■	
330 xd (M57 D30 (306D3))		Diesel	4WD	2993	170	231	09.05-08.08	■	
330 d (N57 D30 A)	not M technique	Diesel	RWD	2993	180	245	09.08-10.11	■	
330 d xDrive (N57 D30 A)		Diesel	4WD	2993	180	245	09.08-10.11	■	
335 d (M57 D30 (306D5))		Diesel	RWD	2993	210	286	09.06-12.11	■	
3 Serie V Touring (E91) 12.04-12.12							Estate (Compact executive car-D Segment)		
320i (N43 B20 A)		Gasolina	RWD	1995	125	170	02.07-12.12	■	
323 i (N52 B25 A)		Gasolina	RWD	2497	130	177	04.06-06.07	■	
325i (N52 B25 A)		Gasolina	RWD	2497	155	211	12.04-12.10	■	
325i (N52 B25 AF)		Gasolina	RWD	2497	155	211	12.04-12.10	■	
325i (N52 B25 B)		Gasolina	RWD	2497	155	211	12.04-12.10	■	
325i (N52 B25 BF)		Gasolina	RWD	2497	155	211	12.04-12.10	■	
325i (N52 B25 A)	not M technique, increased payload, discØ 336	Gasolina	RWD	2497	160	218	12.04-08.08	■	
325 xi (N52 B25 A)	increased payload	Gasolina	4WD	2497	160	218	08.05-08.08	■	
335 i (N54 B30 A)		Gasolina	RWD	2979	225	306	09.06-06.12	■	
335 i (N55 B30 A)		Gasolina	RWD	2979	225	306	09.06-06.12	■	
335 i xDrive (N54 B30 A)		Gasolina	4WD	2979	225	306	09.08-06.12	■	
335 i xDrive (N55 B30 A)		Gasolina	4WD	2979	225	306	09.08-06.12	■	
335 xi (N54 B30 A)		Gasolina	4WD	2979	225	306	03.07-08.08	■	
335 xi (N55 B30 A)		Gasolina	4WD	2979	225	306	03.07-08.08	■	
335 i (N54 B30 A)		Gasolina	RWD	2979	240	326	09.06-06.12	■	
335 i (N55 B30 A)		Gasolina	RWD	2979	240	326	09.06-06.12	■	
335 i xDrive (N54 B30 A)		Gasolina	4WD	2979	240	326	09.08-06.12	■	
335 i xDrive (N55 B30 A)		Gasolina	4WD	2979	240	326	09.08-06.12	■	
335 xi (N54 B30 A)		Gasolina	4WD	2979	240	326	03.07-08.08	■	
325i (N53 B30 A)	increased payload	Gasolina	RWD	2996	155	211	09.07-06.12	■	
325 i xDrive (N53 B30 A)		Gasolina	4WD	2996	155	211	09.08-06.12	■	
325 xi (N53 B30 A)		Gasolina	4WD	2996	155	211	09.07-08.08	■	
325i (N53 B30 A)	not M technique, increased payload	Gasolina	RWD	2996	160	218	09.07-06.12	■	
325 i xDrive (N53 B30 A)		Gasolina	4WD	2996	160	218	09.08-06.12	■	
325 xi (N53 B30 A)		Gasolina	4WD	2996	160	218	09.07-08.08	■	
330i (N52 B30 A)		Gasolina	RWD	2996	190	258	08.05-08.07	■	
330 xi (N52 B30 A)		Gasolina	4WD	2996	190	258	09.05-08.07	■	
330i (N53 B30 A)		Gasolina	RWD	2996	200	272	09.07-06.12	■	
330i		Gasolina	RWD	2996	200	272	03.07-06.12	■	
330 i xDrive (N53 B30 A)		Gasolina	4WD	2996	200	272	09.07-06.12	■	
330 xi (N53 B30 A)		Gasolina	4WD	2996	200	272	09.07-06.12	■	
320 d (M47 D20 (204D4))	government vehicles, not M technique	Diesel	RWD	1995	110	150	12.04-08.07	■	
320 d (M47 D20 (204D4))	government vehicles, not M technique	Diesel	RWD	1995	120	163	06.05-06.12	■	
320 d (N47 D20 A)	government vehicles, not M technique	Diesel	RWD	1995	120	163	06.05-06.12	■	
320 d (N47 D20 C)	government vehicles, not M technique	Diesel	RWD	1995	120	163	06.05-06.12	■	
320 d xDrive (N47 D20 C)	government vehicles	Diesel	4WD	1995	120	163	07.09-06.12	■	
320 d (N47 D20 A)	government vehicles, not M technique	Diesel	RWD	1995	130	177	02.07-12.10	■	

LISTA DE APLICACIONES - BUYERS GUIDE

320 d (N47 D20 C)	government vehicles, not M technique	Diesel	RWD	1995	130	177	02.07-12.10	■	
320 d xDrive (N47 D20 C)	government vehicles	Diesel	4WD	1995	130	177	09.08-02.10	■	
320 xd	government vehicles	Diesel	RWD	1995	130	177	02.08-02.10	■	
320 d (N47 D20 C)	government vehicles	Diesel	RWD	1995	135	184	03.10-05.12	■	
320 d xDrive (N47 D20 C)	government vehicles	Diesel	4WD	1995	135	184	03.10-06.12	■	
320 d (N47 D20 A)		Diesel	RWD	1995	145	197	02.07-02.10	■	
320 d (N47 D20 C)		Diesel	RWD	1995	145	197	02.07-02.10	■	
320 d xDrive (N47 D20 C)		Diesel	4WD	1995	145	197	02.08-02.10	■	
320 d (N47 D20 C)		Diesel	RWD	1995	147	200	03.10-05.12	■	
320 d xDrive (N47 D20 C)		Diesel	4WD	1995	147	200	03.10-05.12	■	
325 d (M57 D30 (306D3))	not M technique	Diesel	RWD	2993	145	197	09.06-06.12	■	
325 d (N57 D30 A)	not M technique	Diesel	RWD	2993	150	204	02.10-06.12	■	
330 d (M57 D30 (306D3))		Diesel	RWD	2993	155	211	06.05-05.12	■	
330 d (N57 D30 A)		Diesel	RWD	2993	155	211	06.05-05.12	■	
330 d (M57 D30 (306D3))		Diesel	RWD	2993	170	231	12.04-08.08	■	
330 xd (M57 D30 (306D3))		Diesel	4WD	2993	170	231	09.05-06.12	■	
330 d (N57 D30 A)		Diesel	RWD	2993	180	245	02.08-05.12	■	
330 d xDrive (N57 D30 A)		Diesel	4WD	2993	180	245	01.09-06.12	■	
335 d (M57 D30 (306D5))		Diesel	RWD	2993	210	286	09.06-06.12	■	
X1 (E84) 03.09-06.15					SUV (Compact SUV-J Segment)				
xDrive28i (N20 B20 A)		Gasolina	4WD	1997	180	245	03.11-06.15	■	
xDrive 35 i (N55 B30 A)		Gasolina	4WD	2979	225	306	03.11-06.15	■	
xDrive28i (N52 B30 A)		Gasolina	4WD	2996	190	258	09.09-08.11	■	
xDrive28i (N52 B30 A)	discØ 336	Gasolina	4WD	2996	194	264	03.10-06.11	■	