

LISTA DE APLICACIONES - BUYERS GUIDE

181743

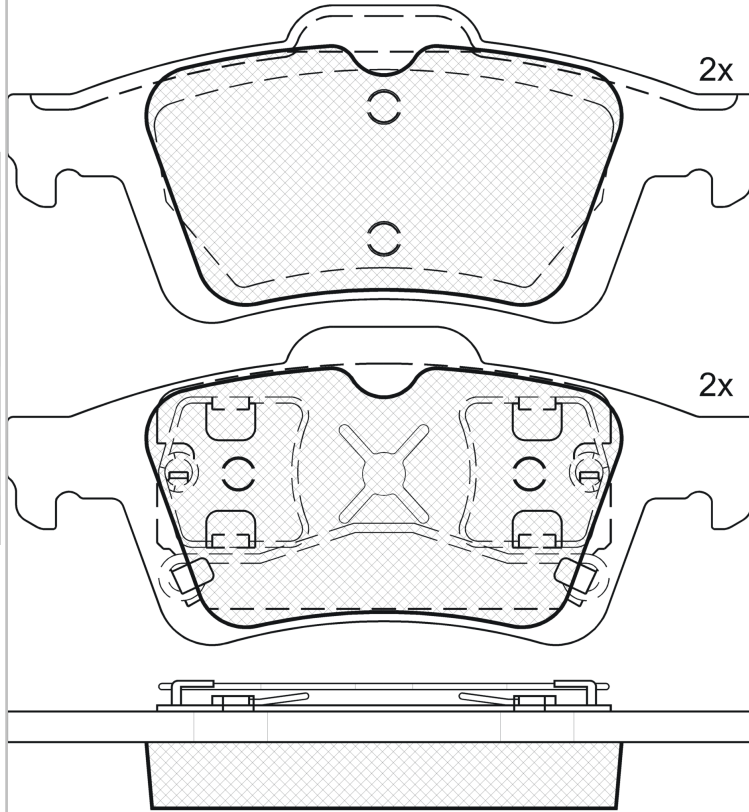


8 424073 094339

Qty: 944

Weight: 1.005

O.E.M.	MAKE
3M51-2M00-8AA	FORD
3M51-2M00-8AB	FORD
86 60 004 478	RENAULT
86 71 016 695	RENAULT
B3YP-26-48Z	MAZDA
BPYK-26-48Z	MAZDA
BPYK-26-48ZA	MAZDA
BPYK-26-48ZA9C	MAZDA
BPYK-26-48ZB	MAZDA
C2Y3-26-48Z	MAZDA
C2Y3-26-48ZA	MAZDA
C2Y3-26-48ZA9A	MAZDA
C2Y3-26-48-ZB	ROOTES (CHRYSLER)



181743



E 9 90R-01110/1386

Ate - Teves

123.1x51.9x16.4

WVA	FMSI
25212	D973-7957
MAKE	
FORD	
MAZDA	
VOLVO	



Trac.	CC	Kw	CV
-------	----	----	----



Front / Rear

FORD

FOCUS II (DA_, HCP, DP) 07.04-09.13	Hatchback (Compact car-C Segment)							
1.4 (ASDA)	-12/05	Gasolina	FWD	1388	59	80	07.04-09.12	■
1.4 (ASDB)	-12/05	Gasolina	FWD	1388	59	80	07.04-09.12	■
1.6 (HWDA)	-12/05	Gasolina	FWD	1596	74	100	07.04-09.12	■
1.6 (HWDB)	-12/05	Gasolina	FWD	1596	74	100	07.04-09.12	■
1.6 (SHDA)	-12/05	Gasolina	FWD	1596	74	100	07.04-09.12	■
1.6 (SHDB)	-12/05	Gasolina	FWD	1596	74	100	07.04-09.12	■
1.6 (SHDC)	-12/05	Gasolina	FWD	1596	74	100	07.04-09.12	■
1.6 Ti (HXDA)	-12/05	Gasolina	FWD	1596	85	115	07.04-09.12	■
1.6 Ti (HXDB)	-12/05	Gasolina	FWD	1596	85	115	07.04-09.12	■
1.6 Ti (SIDA)	-12/05	Gasolina	FWD	1596	85	115	07.04-09.12	■
2.0 (AODA)	-12/05	Gasolina	FWD	1999	107	145	07.04-09.12	■
2.0 (AODB)	-12/05	Gasolina	FWD	1999	107	145	07.04-09.12	■
2.0 (AODE)	-12/05	Gasolina	FWD	1999	107	145	07.04-09.12	■
1.6 TDCi (G8DA)	-12/05	Diesel	FWD	1560	80	109	07.04-09.12	■
1.6 TDCi (G8DB)	-12/05	Diesel	FWD	1560	80	109	07.04-09.12	■
1.6 TDCi (G8DD)	-12/05	Diesel	FWD	1560	80	109	07.04-09.12	■
1.6 TDCi (G8DE)	-12/05	Diesel	FWD	1560	80	109	07.04-09.12	■
1.6 TDCi (G8DF)	-12/05	Diesel	FWD	1560	80	109	07.04-09.12	■
2.0 TDCi (G6DA)	-12/05	Diesel	FWD	1997	100	136	07.04-09.12	■
2.0 TDCi (G6DB)	-12/05	Diesel	FWD	1997	100	136	07.04-09.12	■
2.0 TDCi (G6DD)	-12/05	Diesel	FWD	1997	100	136	07.04-09.12	■
2.0 TDCi (G6DG)	-12/05	Diesel	FWD	1997	100	136	07.04-09.12	■

LISTA DE APLICACIONES - BUYERS GUIDE

FOCUS C-MAX (DM2) 10.03-03.07					MPV (Compact MPV-M1 Segment)			
1.6 (HWDA)	-12/05	Gasolina	FWD	1596	74	100	10.03-03.07	■
1.6 (HWDB)	-12/05	Gasolina	FWD	1596	74	100	10.03-03.07	■
1.6 (SHDA)	-12/05	Gasolina	FWD	1596	74	100	10.03-03.07	■
1.6 (SHDB)	-12/05	Gasolina	FWD	1596	74	100	10.03-03.07	■
1.6 (SHDC)	-12/05	Gasolina	FWD	1596	74	100	10.03-03.07	■
1.6 Ti (HXDA)	-12/05	Gasolina	FWD	1596	85	115	08.04-03.07	■
1.6 Ti (SIDA)	-12/05	Gasolina	FWD	1596	85	115	08.04-03.07	■
1.8 (CSDA)	-12/05	Gasolina	FWD	1798	88	120	10.03-03.07	■
1.8 (CSDB)	-12/05	Gasolina	FWD	1798	88	120	10.03-03.07	■
1.8 (Q7DA)	-12/05	Gasolina	FWD	1798	92	125	04.04-03.07	■
1.8 (QQDA)	-12/05	Gasolina	FWD	1798	92	125	04.04-03.07	■
1.8 (QQDB)	-12/05	Gasolina	FWD	1798	92	125	04.04-03.07	■
2.0 (AODA)	-12/05	Gasolina	FWD	1999	107	145	03.04-03.07	■
2.0 (AODB)	-12/05	Gasolina	FWD	1999	107	145	03.04-03.07	■
2.0 (AODE)	-12/05	Gasolina	FWD	1999	107	145	03.04-03.07	■
2.0 (SYDA)	-12/05	Gasolina	FWD	1999	107	145	03.04-03.07	■
1.6 TDCi (G8DA)	-12/05	Diesel	FWD	1560	80	109	10.03-03.07	■
1.6 TDCi (G8DB)	-12/05	Diesel	FWD	1560	80	109	10.03-03.07	■
1.6 TDCi (G8DD)	-12/05	Diesel	FWD	1560	80	109	10.03-03.07	■
1.6 TDCi (G8DE)	-12/05	Diesel	FWD	1560	80	109	10.03-03.07	■
1.6 TDCi (G8DF)	-12/05	Diesel	FWD	1560	80	109	10.03-03.07	■
2.0 TDCi (G6DA)	-12/05	Diesel	FWD	1997	100	136	10.03-03.07	■
2.0 TDCi (G6DB)	-12/05	Diesel	FWD	1997	100	136	10.03-03.07	■
2.0 TDCi (G6DD)	-12/05	Diesel	FWD	1997	100	136	10.03-03.07	■
2.0 TDCi (G6DG)	-12/05	Diesel	FWD	1997	100	136	10.03-03.07	■
MAZDA								
3 II / AXELA (BL) 12.08-09.14					Hatchback (Compact car-C Segment)			
1.6 MZR (BL14) (Z668)		Gasolina	FWD	1598	77	105	12.08-09.14	■
1.6 MZR (BL14) (Z682)		Gasolina	FWD	1598	77	105	12.08-09.14	■
1.6 MZR (BL14) (Z683)		Gasolina	FWD	1598	77	105	12.08-09.14	■
2.0 MZR (BLEFW, BL10F) (LF5H)		Gasolina	FWD	1999	108	147	04.09-09.14	■
2.0 MZR (BLEFW, BL10F) (LF5W)		Gasolina	FWD	1999	108	147	04.09-09.14	■
2.0 MZR (BLEFW) (LF5H)		Gasolina	FWD	1999	110	150	01.09-09.14	■
2.0 MZR (BLEFW) (LF5W)		Gasolina	FWD	1999	110	150	01.09-09.14	■
2.0 MZR DISI (BLEFW) (LFZ2)		Gasolina	FWD	1999	111	151	12.08-05.13	■
2.3 MPS Turbo (BL14) (L3Y7)		Gasolina	FWD	2261	191	260	12.08-09.14	■
2.0		Gasol./Etanol	FWD	1999	108	147	06.10-05.13	■
1.6 MZ-CD (BL14) (Y642)		Diesel	FWD	1560	80	109	12.08-05.13	■
1.6 MZR CD (BL14) (Y650)		Diesel	FWD	1560	85	116	09.10-05.13	■
1.6 MZR CD (BL14) (Y655)		Diesel	FWD	1560	85	116	09.10-05.13	■
2.2 MZR CD (BL10) (R2AA)		Diesel	FWD	2184	110	150	01.09-10.13	■
2.2 MZR CD (BL10) (R2AA)		Diesel	FWD	2184	136	185	01.09-05.13	■
3 II / AXELA (BL) 12.08-					Saloon (Compact car-C Segment)			
1.6 MZR (BL12) (Z668)		Gasolina	FWD	1598	77	105	12.08-09.14	■
1.6 MZR (BL12) (Z682)		Gasolina	FWD	1598	77	105	12.08-09.14	■
1.6 MZR (BL12) (Z683)		Gasolina	FWD	1598	77	105	12.08-09.14	■
2.0 MZR (BL12, BLEFP) (LF5H)		Gasolina	FWD	1999	110	150	03.09-09.14	■
2.0 MZR (BL12, BLEFP) (LF5W)		Gasolina	FWD	1999	110	150	03.09-09.14	■
2.0 MZR DISI (BL12) (LFZ2)		Gasolina	FWD	1999	111	151	02.09-05.13	■

LISTA DE APLICACIONES - BUYERS GUIDE

1.6 MZR CD (BL12) (Y642)		Diesel	FWD	1560	80	109	12.08-05.13	■	
1.6 MZR CD (BL14) (Y650)		Diesel	FWD	1560	85	116	09.10-05.13	■	
1.6 MZR CD (BL14) (Y655)		Diesel	FWD	1560	85	116	09.10-05.13	■	
2.2 MZR CD (BL10) (R2AA)		Diesel	FWD	2184	110	150	01.09-09.14	■	
2.2 MZR CD (BL10) (R2AA)		Diesel	FWD	2184	136	185	06.09-05.13	■	
3 / AXELA (BK) 10.03-12.09							Hatchback (Compact car-C Segment)		
1.3 (BK14) (ZJ07)	-12/05	Gasolina	FWD	1349	62	84	10.03-06.09	■	
1.3 (BK14) (ZJ30)	-12/05	Gasolina	FWD	1349	62	84	10.03-06.09	■	
1.3 (BK14) (ZJ32)	-12/05	Gasolina	FWD	1349	62	84	10.03-06.09	■	
1.4	-12/05	Gasolina	FWD	1388	59	80	02.04-06.09	■	
1.6 (BK14) (Z601)	-12/05	Gasolina	FWD	1598	77	105	10.03-06.09	■	
1.6 (BK14) (Z627)	-12/05	Gasolina	FWD	1598	77	105	10.03-06.09	■	
2.0 (BK10F, BKEP)		Gasolina	FWD	1999	104	141	10.03-06.06	■	
2.0 (BKEP) (LF50)	-12/05	Gasolina	FWD	1999	110	150	10.03-12.09	■	
2.0 (BKEP) (LF72)	-12/05	Gasolina	FWD	1999	110	150	10.03-12.09	■	
2.0 (BKEP) (LFDE)	-12/05	Gasolina	FWD	1999	110	150	10.03-12.09	■	
2.0 (BKEP) (LFN7)	-12/05	Gasolina	FWD	1999	110	150	10.03-12.09	■	
2.0 (BKEP) (LFN8)	-12/05	Gasolina	FWD	1999	110	150	10.03-12.09	■	
2.0 (BKEP) (LFVE)	-12/05	Gasolina	FWD	1999	110	150	10.03-12.09	■	
2.3 MZR (BK3P) (L3-VE)		Gasolina	FWD	2261	115	156	10.03-03.09	■	
2.3 MZR Sport	-12/05	Gasolina	FWD	2261	126	171	10.03-06.09	■	
2.3 DiSi Turbo MPS (BK3P) (L3YH)		Gasolina	FWD	2261	184	250	06.06-06.09	■	
2.3 MPS Turbo (BK14) (L3M6)		Gasolina	FWD	2261	191	260	12.06-06.09	■	
1.6 MZ-CD (Y406)		Diesel	FWD	1560	66	90	06.06-12.09	■	
1.6 DI Turbo (Y601)	-12/05	Diesel	FWD	1560	80	109	06.04-06.09	■	
1.6 DI Turbo (Y603)	-12/05	Diesel	FWD	1560	80	109	06.04-06.09	■	
1.6 DI Turbo (Y605)	-12/05	Diesel	FWD	1560	80	109	06.04-06.09	■	
1.6 DI Turbo (Y642)	-12/05	Diesel	FWD	1560	80	109	06.04-06.09	■	
2.0 MZR-CD (BK14) (RF7J)		Diesel	FWD	1998	105	143	07.06-06.09	■	
2.0 MZR-CD (BK14) (RF8G)		Diesel	FWD	1998	105	143	07.06-06.09	■	
3 / AXELA (BK) 09.99-12.09							Saloon (Compact car-C Segment)		
1.6 (BK12) (Z601)	-12/05	Gasolina	FWD	1598	77	105	02.04-06.09	■	
1.6 (BK12) (Z627)	-12/05	Gasolina	FWD	1598	77	105	02.04-06.09	■	
2.0 16V	01/04-	Gasolina	FWD	1995	110	150	01.04-	■	
2.0 (BK10F, BKEP) (LF17)		Gasolina	FWD	1999	104	141	10.03-06.06	■	
2.0 (BKEP) (LF50)	-12/05	Gasolina	FWD	1999	110	150	10.03-12.09	■	
2.0 (BKEP) (LF72)	-12/05	Gasolina	FWD	1999	110	150	10.03-12.09	■	
2.0 (BKEP) (LFDE)	-12/05	Gasolina	FWD	1999	110	150	10.03-12.09	■	
2.0 (BKEP) (LFN7)	-12/05	Gasolina	FWD	1999	110	150	10.03-12.09	■	
2.0 (BKEP) (LFN8)	-12/05	Gasolina	FWD	1999	110	150	10.03-12.09	■	
2.0 (BKEP) (LFVE)	-12/05	Gasolina	FWD	1999	110	150	10.03-12.09	■	
2.3 (L3-VE)	-12/06	Gasolina	FWD	2261	118	160	03.04-03.09	■	
2.3 (BK3P)		Gasolina	FWD	2261	126	171	04.04-03.09	■	
2.3 16V	01/04-	Gasolina	FWD	2295	118	160	01.04-	■	
2.3 16V	01/04-	Gasolina	FWD	2295	118	160	01.04-	■	
1.6 DI Turbo (BK12Y) (Y601)	-12/05	Diesel	FWD	1560	80	109	06.04-06.09	■	
1.6 DI Turbo (BK12Y) (Y603)	-12/05	Diesel	FWD	1560	80	109	06.04-06.09	■	
1.6 DI Turbo (BK12Y) (Y605)	-12/05	Diesel	FWD	1560	80	109	06.04-06.09	■	
1.6 DI Turbo (BK12Y) (Y642)	-12/05	Diesel	FWD	1560	80	109	06.04-06.09	■	
2.0 MZR-CD (BK12) (RF7J)		Diesel	FWD	1998	105	143	12.06-06.09	■	

LISTA DE APLICACIONES - BUYERS GUIDE

2.0 MZR-CD (BK12) (RF8G)		Diesel	FWD	1998	105	143	12.06-06.09	■	
5 II / PREMACY (CR) 02.05-12.10					MPV (Compact MPV-M1 Segment)				
1.8 (CR19) (L823)		Gasolina	FWD	1798	85	116	02.05-05.10	■	
2.0 (CREW, CR19) (LFF7)		Gasolina	FWD	1999	107	146	02.05-05.10	■	
2.3 (CR3W)		Gasolina	FWD	2261	122	166	02.05-09.08	■	
2.0 CD (CR19) (RF7J)		Diesel	FWD	1998	81	110	02.05-05.10	■	
2.0 CD (CR19) (RF7J)		Diesel	FWD	1998	105	143	02.05-05.10	■	
5 III / PREMACY (CW) 06.10-					MPV (Compact MPV-M1 Segment)				
1.8 MZR (L850)		Gasolina	FWD	1798	85	116	09.10-	■	
2.0 (CWEFW) (LF-ZB)		Gasolina	FWD	1999	106	144	06.10-	■	
2.0 (LF-ZB)		Gasolina	FWD	1999	108	147	01.11-	■	
2.0 (CWEFW) (LF-ZB)		Gasolina	FWD	1999	110	150	09.10-	■	
1.6 CD (Y650)		Diesel	FWD	1560	85	116	07.10-	■	
1.6 CD (Y655)		Diesel	FWD	1560	85	116	07.10-	■	
1.6 CD (Y6Y1)		Diesel	FWD	1560	85	116	07.10-	■	
PREMACY (CP) 01.99-03.05					MPV (Compact MPV-M1 Segment)				
2.3 SVT		Gasolina	FWD	2261	122	166	02.05-03.05	■	
VOLVO									
S40 II (544) 12.03-12.12					Saloon (Compact executive car-D Segment)				
1.8 (B 4184 S11)	-12/05	Gasolina	FWD	1798	92	125	04.04-12.10	■	
2.4 (B 5244 S5)	-12/05	Gasolina	FWD	2435	103	140	01.04-12.10	■	
2.4 (B 5244 S4)	-12/05	Gasolina	FWD	2435	125	170	01.04-12.12	■	
T5 (B 5254 T3)	-12/05	Gasolina	FWD	2521	162	220	01.04-12.07	■	
T5 AWD (B 5254 T3)	-12/05	Gasolina	4WD	2521	162	220	04.04-12.07	■	
2.0 D (D 4204 T)	-12/05	Diesel	FWD	1998	100	136	01.04-12.10	■	
V40 (645) 07.95-06.04					Estate (Compact executive car-D Segment)				
2.0 D	01/04-	Diesel	RWD	1998	100	136	12.02-06.04	■	
V50 (545) 12.03-12.12					Estate (Luxury car-F Segment)				
1.8 (B 4184 S11)	-12/05	Gasolina	FWD	1798	92	125	04.04-12.10	■	
2.4 (B 5244 S5)	-12/05	Gasolina	FWD	2435	103	140	04.04-12.10	■	
2.4 (B 5244 S4)	-12/05	Gasolina	FWD	2435	125	170	04.04-12.10	■	
T5 (B 5254 T3)	-12/05	Gasolina	FWD	2521	162	220	04.04-12.07	■	
T5 AWD (B 5254 T3)	-12/05	Gasolina	4WD	2521	162	220	04.04-12.07	■	
2.0 D (D 4204 T)	-12/05	Diesel	FWD	1998	100	136	04.04-12.10	■	