

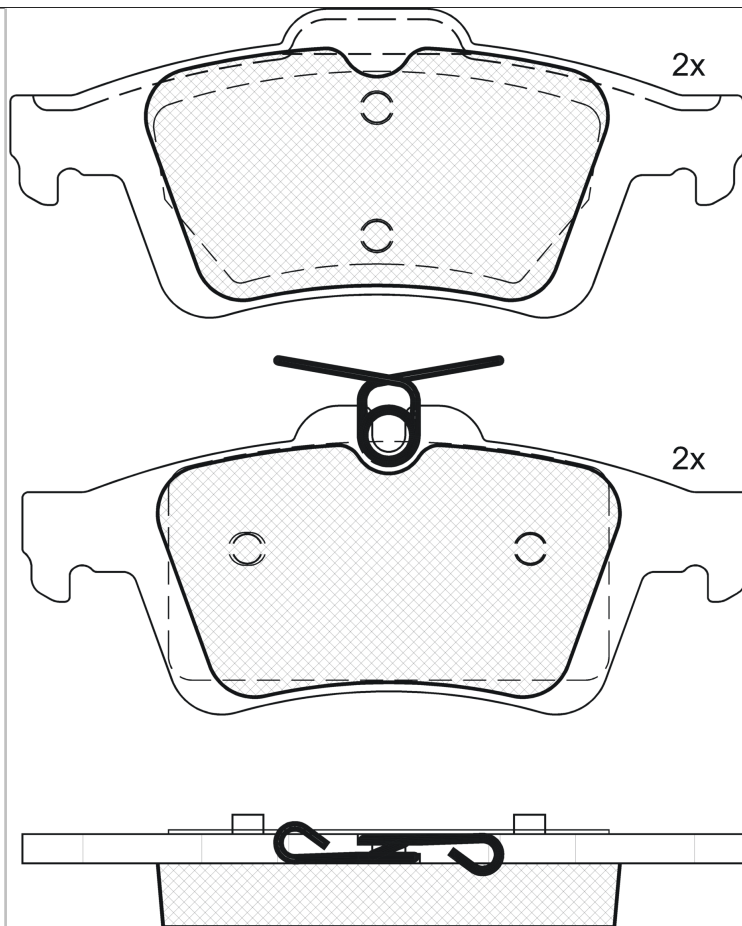
# LISTA DE APLICACIONES - BUYERS GUIDE

## 181744



Qty: 944

Weight: 980



## 181744



**90R-01110/1384**

Ate - Teves

123.1x51.9x16.4

**WVA**

25212  
25213  
25824

**FMSI**

D1095-7957  
D1931-9155

**MAKE**

FORD  
FORD (CHANGAN)  
FORD AUSTRALIA  
HAIMA (FAW)  
MAZDA  
OPEL  
VOLVO  
VOLVO (CHANGAN)

O.E.M.	MAKE
1 360 306	FORD
1 566 096	FORD
1 683 374	FORD
1 683 383	FORD
1 753 860	FORD
1 765 765	FORD
1 805 813	FORD
1 809 458	FORD
1 820 122	FORD
2 039 739	FORD
3 073 661 0	VOLVO
3 074 203 1	VOLVO
3M5J-2M008A1A	FORD
5 134 101	FORD
86 71 016 696	RENAULT
AV61-2M008-AA	FORD
AV61-2M008-AB	FORD
AV61-2M008-AD	FORD
AV61-2M008-BA	FORD
BPYK-26-48ZB-OE	MAZDA
BV61-2M007-BA	FORD
BV61-2M007-CB	FORD
ME3M5J-2M008AA	FORD
MEAV6J-2M008-BA	FORD
MEAV6J-2M008-CA	FORD



Trac.	CC	Kw	CV
-------	----	----	----



Front / Rear

### FORD

#### C-MAX (DM2) 02.07-09.10

#### MPV (Compact MPV-M1 Segment)

Model	Engine	Trac.	CC	Kw	CV	Period	Availability
1.6 (HWDA)	Gasolina	FWD	1596	74	100	02.07-09.10	■
1.6 (HWDB)	Gasolina	FWD	1596	74	100	02.07-09.10	■
1.6 (SHDA)	Gasolina	FWD	1596	74	100	02.07-09.10	■
1.6 (SHDB)	Gasolina	FWD	1596	74	100	02.07-09.10	■
1.6 (SHDC)	Gasolina	FWD	1596	74	100	02.07-09.10	■
1.6 (HXDA)	Gasolina	FWD	1596	85	116	04.07-09.10	■
1.6 (HXDB)	Gasolina	FWD	1596	85	116	04.07-09.10	■
1.6 (SIDA)	Gasolina	FWD	1596	85	116	04.07-09.10	■
1.8 (QQDC)	Gasolina	FWD	1798	90	122	02.07-09.10	■
1.8 (QQDA)	Gasolina	FWD	1798	92	125	02.07-09.10	■
1.8 (QQDB)	Gasolina	FWD	1798	92	125	02.07-09.10	■
2.0 (AODA)	Gasolina	FWD	1999	107	145	02.07-09.10	■
2.0 (AODB)	Gasolina	FWD	1999	107	145	02.07-09.10	■
2.0 (AODE)	Gasolina	FWD	1999	107	145	02.07-09.10	■
2.0 (SYDA)	Gasolina	FWD	1999	107	145	02.07-09.10	■
2.0 LPG (SYDA)	Gasol./Gas (LPG)	FWD	1999	107	145	06.08-09.10	■
2.0 CNG (SYDA)	Gasol./Gas (CNG)	FWD	1999	107	145	04.09-09.10	■
1.8 Flexifuel (Q7DA)	Gasol./Etanol	FWD	1798	92	125	02.07-09.10	■
1.6 TDCi (GPDA)	Diesel	FWD	1560	66	90	02.07-09.10	■
1.6 TDCi (HHDA)	Diesel	FWD	1560	66	90	02.07-09.10	■
1.6 TDCi (HHDB)	Diesel	FWD	1560	66	90	02.07-09.10	■

# LISTA DE APLICACIONES - BUYERS GUIDE

1.6 TDCi (G8DC)		Diesel	FWD	1560	74	101	02.07-09.10	■	
1.6 TDCi (MTDA)		Diesel	FWD	1560	74	101	02.07-09.10	■	
1.6 TDCi (G8DA)		Diesel	FWD	1560	80	109	02.07-09.10	■	
1.6 TDCi (G8DB)		Diesel	FWD	1560	80	109	02.07-09.10	■	
1.6 TDCi (G8DD)		Diesel	FWD	1560	80	109	02.07-09.10	■	
1.8 TDCi (KKDA)		Diesel	FWD	1753	85	115	02.07-09.10	■	
1.8 TDCi (KKDB)		Diesel	FWD	1753	85	115	02.07-09.10	■	
2.0 TDCi (IXDA)		Diesel	FWD	1997	81	110	02.08-09.10	■	
2.0 TDCi (G6DC)		Diesel	FWD	1997	98	133	02.07-09.10	■	
2.0 TDCi (G6DE)		Diesel	FWD	1997	98	133	02.07-09.10	■	
2.0 TDCi (G6DF)		Diesel	FWD	1997	98	133	02.07-09.10	■	
2.0 TDCi (G6DA)		Diesel	FWD	1997	100	136	02.07-09.10	■	
2.0 TDCi (G6DB)		Diesel	FWD	1997	100	136	02.07-09.10	■	
2.0 TDCi (G6DD)		Diesel	FWD	1997	100	136	02.07-09.10	■	
2.0 TDCi (G6DG)		Diesel	FWD	1997	100	136	02.07-09.10	■	
<b>C-MAX II 10.10-</b>						<b>Box Body/MPV (LCVs-N1 Segment)</b>			
1.0 EcoBoost (M2DA)		Gasolina	FWD	998	74	100	10.12-06.19	■	
1.0 EcoBoost (M2DC)		Gasolina	FWD	998	74	100	10.12-06.19	■	
1.0 EcoBoost (B7DA)		Gasolina	FWD	998	92	125	10.12-06.19	■	
1.0 EcoBoost (M1DA)		Gasolina	FWD	998	92	125	10.12-06.19	■	
1.0 EcoBoost (M1DD)		Gasolina	FWD	998	92	125	10.12-06.19	■	
1.5 EcoBoost (M8DB)		Gasolina	FWD	1498	110	150	03.15-06.19	■	
1.5 EcoBoost (M9DB)		Gasolina	FWD	1498	134	182	03.15-06.19	■	
1.6 Ti		Gasolina	FWD	1596	77	105	10.10-06.19	■	
1.6 EcoBoost (JQDA)		Gasolina	FWD	1596	110	150	12.10-06.19	■	
1.6 EcoBoost (JQDB)		Gasolina	FWD	1596	110	150	12.10-06.19	■	
1.6 EcoBoost		Gasolina	FWD	1596	134	182	12.10-06.19	■	
1.5 TDCi ECOnetic (AEDA)		Diesel	FWD	1499	77	105	03.15-06.19	■	
1.5 TDCi (XWDA)		Diesel	FWD	1499	88	120	03.15-06.19	■	
1.5 TDCi (XWDB)		Diesel	FWD	1499	88	120	03.15-06.19	■	
1.5 TDCi (XWDC)		Diesel	FWD	1499	88	120	03.15-06.19	■	
1.5 TDCi (XWDD)		Diesel	FWD	1499	88	120	03.15-06.19	■	
1.5 TDCi (XWDE)		Diesel	FWD	1499	88	120	03.15-06.19	■	
1.6 TDCi (T3DA)		Diesel	FWD	1560	70	95	12.10-06.19	■	
1.6 TDCi (T3DB)		Diesel	FWD	1560	70	95	12.10-06.19	■	
1.6 TDCi (T1DA)		Diesel	FWD	1560	85	115	12.10-06.19	■	
1.6 TDCi (T1DB)		Diesel	FWD	1560	85	115	12.10-06.19	■	
2.0 TDCi (TYDA)		Diesel	FWD	1997	85	115	02.11-06.19	■	
2.0 TDCi (UFDB)		Diesel	FWD	1997	103	140	02.11-06.19	■	
2.0 TDCi (T7DB)		Diesel	FWD	1997	110	150	03.15-06.19	■	
2.0 TDCi (T7DC)		Diesel	FWD	1997	110	150	03.15-06.19	■	
2.0 TDCi (TXDB)		Diesel	FWD	1997	120	163	12.10-06.19	■	
2.0 TDCi (T8DE)		Diesel	FWD	1997	125	170	03.15-06.19	■	
<b>C-MAX II (DXA/CB7, DXA/CEU) 04.10-</b>						<b>MPV (Compact MPV-M1 Segment)</b>			
1.0 EcoBoost (M2DA)		Gasolina	FWD	998	74	100	10.12-06.19	■	
1.0 EcoBoost (M2DC)		Gasolina	FWD	998	74	100	10.12-06.19	■	
1.0 EcoBoost (B7DA)		Gasolina	FWD	998	92	125	10.12-06.19	■	
1.0 EcoBoost (M1DA)		Gasolina	FWD	998	92	125	10.12-06.19	■	
1.0 EcoBoost (M1DD)		Gasolina	FWD	998	92	125	10.12-06.19	■	
1.0 EcoBoost		Gasolina	FWD	999	74	101	07.18-06.19	■	
1.0 EcoBoost		Gasolina	FWD	999	92	125	07.18-06.19	■	

# LISTA DE APLICACIONES - BUYERS GUIDE

1.5 EcoBoost (M8DB)		Gasolina	FWD	1498	110	150	03.15-06.19	■
1.5 EcoBoost (M9DB)		Gasolina	FWD	1498	134	182	03.15-06.19	■
1.6 Ti (XTDA)		Gasolina	FWD	1596	63	85	12.10-06.19	■
1.6 Ti (XTDB)		Gasolina	FWD	1596	63	85	12.10-06.19	■
1.6 Ti (IQDA)		Gasolina	FWD	1596	77	105	12.10-06.19	■
1.6 Ti (IQDB)		Gasolina	FWD	1596	77	105	12.10-06.19	■
1.6 Ti (MUDA)		Gasolina	FWD	1596	88	120	02.12-06.19	■
1.6 Ti (MUDD)		Gasolina	FWD	1596	88	120	02.12-06.19	■
1.6 Ti (PNDA)		Gasolina	FWD	1596	92	125	12.10-06.19	■
1.6 Ti (PNDD)		Gasolina	FWD	1596	92	125	12.10-06.19	■
1.6 EcoBoost (JQDA)		Gasolina	FWD	1596	110	150	12.10-06.19	■
1.6 EcoBoost (JQDB)		Gasolina	FWD	1596	110	150	12.10-06.19	■
1.6 EcoBoost (JTDA)		Gasolina	FWD	1596	134	182	12.10-06.19	■
1.6 EcoBoost (JTDB)		Gasolina	FWD	1596	134	182	12.10-06.19	■
1.6 LPG (MUDA)		Gasol./Gas (LPG)	FWD	1596	86	117	02.12-06.19	■
1.6 LPG (MUDD)		Gasol./Gas (LPG)	FWD	1596	86	117	02.12-06.19	■
1.6 LPG (MUDA)		Gasol./Gas (LPG)	FWD	1596	88	120	02.12-06.19	■
1.6 LPG (MUDD)		Gasol./Gas (LPG)	FWD	1596	88	120	02.12-06.19	■
1.6 CNG (MUDA)		Gasol./Gas (CNG)	FWD	1596	86	117	01.13-12.14	■
1.6 Flexifuel (MUDA)		Gasol./Etanol	FWD	1596	88	120	02.11-06.19	■
1.6 Flexifuel (MUDD)		Gasol./Etanol	FWD	1596	88	120	02.11-06.19	■
2.0 Energi (UADA)		Gasol./eléc.	FWD	1999	103	140	01.15-06.19	■
2.0 Energi (UADA)		Gasol./eléc.	FWD	1999	136	185	01.15-06.19	■
1.5 TDCi (XXDA)		Diesel	FWD	1499	70	95	03.15-06.19	■
1.5 TDCi (XXDC)		Diesel	FWD	1499	70	95	03.15-06.19	■
1.5 TDCi (XXDD)		Diesel	FWD	1499	70	95	03.15-06.19	■
1.5 TDCi ECOnetic (AEDA)		Diesel	FWD	1499	77	105	03.15-06.19	■
1.5 TDCi (XWDA)		Diesel	FWD	1499	88	120	03.15-06.19	■
1.5 TDCi (XWDB)		Diesel	FWD	1499	88	120	03.15-06.19	■
1.5 TDCi (XWDC)		Diesel	FWD	1499	88	120	03.15-06.19	■
1.5 TDCi (XWDD)		Diesel	FWD	1499	88	120	03.15-06.19	■
1.5 TDCi (XWDE)		Diesel	FWD	1499	88	120	03.15-06.19	■
1.6 TDCi (T3DA)		Diesel	FWD	1560	70	95	12.10-06.19	■
1.6 TDCi (T3DB)		Diesel	FWD	1560	70	95	12.10-06.19	■
1.6 TDCi (T1DA)		Diesel	FWD	1560	85	115	12.10-06.19	■
1.6 TDCi (T1DB)		Diesel	FWD	1560	85	115	12.10-06.19	■
2.0 TDCi (TYDA)		Diesel	FWD	1997	85	115	02.11-06.19	■
2.0 TDCi (UKDB)		Diesel	FWD	1997	100	136	02.11-06.19	■
2.0 TDCi (UFDB)		Diesel	FWD	1997	103	140	04.10-06.19	■
2.0 TDCi (T7DB)		Diesel	FWD	1997	110	150	03.15-06.19	■
2.0 TDCi (T7DC)		Diesel	FWD	1997	110	150	03.15-06.19	■
2.0 TDCi (T7DD)		Diesel	FWD	1997	110	150	03.15-06.19	■
2.0 TDCi (TXDB)		Diesel	FWD	1997	120	163	12.10-06.19	■
2.0 TDCi (T8DE)		Diesel	FWD	1997	125	170	03.15-06.19	■
<b>FOCUS II 10.06-09.10</b>							<b>Convertible (Compact car-C Segment)</b>	
1.6 (HWDA)		Gasolina	FWD	1596	74	100	10.06-09.10	■

# LISTA DE APLICACIONES - BUYERS GUIDE

1.6 (HWDB)		Gasolina	FWD	1596	74	100	10.06-09.10	■
1.6 (SHDA)		Gasolina	FWD	1596	74	100	10.06-09.10	■
1.6 (SHDB)		Gasolina	FWD	1596	74	100	10.06-09.10	■
1.6 (SHDC)		Gasolina	FWD	1596	74	100	10.06-09.10	■
2.0 (AODA)		Gasolina	FWD	1999	107	145	10.06-09.10	■
2.0 (AODB)		Gasolina	FWD	1999	107	145	10.06-09.10	■
2.0 (AODE)		Gasolina	FWD	1999	107	145	10.06-09.10	■
2.0 (SYDA)		Gasolina	FWD	1999	107	145	10.06-09.10	■
2.0 TDCi (G6DA)		Diesel	FWD	1997	100	136	10.06-09.10	■
2.0 TDCi (G6DB)		Diesel	FWD	1997	100	136	10.06-09.10	■
2.0 TDCi (G6DD)		Diesel	FWD	1997	100	136	10.06-09.10	■
2.0 TDCi (G6DG)		Diesel	FWD	1997	100	136	10.06-09.10	■
<b>FOCUS II (DA_, HCP, DP) 07.04-09.13</b>						<b>Hatchback (Compact car-C Segment)</b>		
1.4 (ASDA)	01/05-	Gasolina	FWD	1388	59	80	07.04-09.12	■
1.4 (ASDB)	01/05-	Gasolina	FWD	1388	59	80	07.04-09.12	■
1.6 (HWDA)	01/05-	Gasolina	FWD	1596	74	100	07.04-09.12	■
1.6 (HWDB)	01/05-	Gasolina	FWD	1596	74	100	07.04-09.12	■
1.6 (SHDA)	01/05-	Gasolina	FWD	1596	74	100	07.04-09.12	■
1.6 (SHDB)	01/05-	Gasolina	FWD	1596	74	100	07.04-09.12	■
1.6 (SHDC)	01/05-	Gasolina	FWD	1596	74	100	07.04-09.12	■
1.6 Ti (HXDA)	01/05-	Gasolina	FWD	1596	85	115	07.04-09.12	■
1.6 Ti (HXDB)	01/05-	Gasolina	FWD	1596	85	115	07.04-09.12	■
1.6 Ti (SIDA)	01/05-	Gasolina	FWD	1596	85	115	07.04-09.12	■
1.8 (Q7DA)	-12/11	Gasolina	FWD	1798	92	125	03.06-09.12	■
1.8 (QQDA)	-12/11	Gasolina	FWD	1798	92	125	03.06-09.12	■
1.8 (QQDB)	-12/11	Gasolina	FWD	1798	92	125	03.06-09.12	■
2.0 (AODA)	01/05-	Gasolina	FWD	1999	107	145	07.04-09.12	■
2.0 (AODB)	01/05-	Gasolina	FWD	1999	107	145	07.04-09.12	■
2.0 (AODE)	01/05-	Gasolina	FWD	1999	107	145	07.04-09.12	■
2.5 ST (HYDA)	-12/11	Gasolina	FWD	2522	166	225	10.05-09.12	■
1.6 LPG (SIDA)		Gasol./Gas (LPG)	FWD	1596	85	115	10.09-07.11	■
2.0 LPG (SYDA)		Gasol./Gas (LPG)	FWD	1999	107	145	06.08-07.11	■
2.0 CNG (SYDA)		Gasol./Gas (CNG)	FWD	1999	107	145	04.09-07.11	■
1.8 Flexifuel (Q7DA)	-12/11	Gasol./Etanol	FWD	1798	92	125	01.06-09.12	■
1.8 Flexifuel (QQDA)	-12/11	Gasol./Etanol	FWD	1798	92	125	01.06-09.12	■
1.8 Flexifuel (QQDB)	-12/11	Gasol./Etanol	FWD	1798	92	125	01.06-09.12	■
1.8 Flexifuel (QQDD)		Gasol./Etanol	FWD	1798	96	131	12.05-01.08	■
1.6 TDCi (GPDA)	-12/11	Diesel	FWD	1560	66	90	01.05-09.12	■
1.6 TDCi (GPDB)	-12/11	Diesel	FWD	1560	66	90	01.05-09.12	■
1.6 TDCi (GPDC)	-12/11	Diesel	FWD	1560	66	90	01.05-09.12	■
1.6 TDCi (HHDA)	-12/11	Diesel	FWD	1560	66	90	01.05-09.12	■
1.6 TDCi (HHDB)	-12/11	Diesel	FWD	1560	66	90	01.05-09.12	■
1.6 TDCi (G8DA)	01/05-	Diesel	FWD	1560	80	109	07.04-09.12	■
1.6 TDCi (G8DB)	01/05-	Diesel	FWD	1560	80	109	07.04-09.12	■
1.6 TDCi (G8DD)	01/05-	Diesel	FWD	1560	80	109	07.04-09.12	■
1.6 TDCi (G8DE)	01/05-	Diesel	FWD	1560	80	109	07.04-09.12	■
1.6 TDCi (G8DF)	01/05-	Diesel	FWD	1560	80	109	07.04-09.12	■

# LISTA DE APLICACIONES - BUYERS GUIDE

1.8 TDCi (KKDA)	-12/11	Diesel	FWD	1753	85	115	01.05-09.12	■	
2.0 TDCi (IXDA)		Diesel	FWD	1997	81	110	02.08-07.11	■	
2.0 TDCi (G6DA)	01/05-	Diesel	FWD	1997	100	136	07.04-09.12	■	
2.0 TDCi (G6DB)	01/05-	Diesel	FWD	1997	100	136	07.04-09.12	■	
2.0 TDCi (G6DD)	01/05-	Diesel	FWD	1997	100	136	07.04-09.12	■	
2.0 TDCi (G6DG)	01/05-	Diesel	FWD	1997	100	136	07.04-09.12	■	
<b>FOCUS II (DB_, FCH, DH) 04.05-</b>					<b>Saloon (Compact car-C Segment)</b>				
1.4 (ASDA)	-12/11	Gasolina	FWD	1388	59	80	04.05-09.12	■	
1.4 (ASDB)	-12/11	Gasolina	FWD	1388	59	80	04.05-09.12	■	
1.6 (HWDA)		Gasolina	FWD	1596	74	100	04.05-09.12	■	
1.6 (HWDB)		Gasolina	FWD	1596	74	100	04.05-09.12	■	
1.6 (SHDA)		Gasolina	FWD	1596	74	100	04.05-09.12	■	
1.6 (SHDB)		Gasolina	FWD	1596	74	100	04.05-09.12	■	
1.6 (SHDC)		Gasolina	FWD	1596	74	100	04.05-09.12	■	
1.6 Ti (HXDA)		Gasolina	FWD	1596	85	115	04.05-09.12	■	
1.6 Ti (HXDB)		Gasolina	FWD	1596	85	115	04.05-09.12	■	
1.6 Ti (SIDA)		Gasolina	FWD	1596	85	115	04.05-09.12	■	
1.8 (Q7DA)		Gasolina	FWD	1798	92	125	03.06-09.12	■	
1.8 (QQDA)		Gasolina	FWD	1798	92	125	03.06-09.12	■	
1.8 (QQDB)		Gasolina	FWD	1798	92	125	03.06-09.12	■	
2.0 (AODA)		Gasolina	FWD	1999	107	145	04.05-07.11	■	
2.0 (AODB)		Gasolina	FWD	1999	107	145	04.05-07.11	■	
2.0 (AODE)		Gasolina	FWD	1999	107	145	04.05-07.11	■	
2.0 (SYDA)		Gasolina	FWD	1999	107	145	04.05-07.11	■	
1.8 Flexifuel (Q7DA)		Gasol./Etanol	FWD	1798	92	125	06.06-07.11	■	
1.8 Flexifuel (QQDA)		Gasol./Etanol	FWD	1798	92	125	06.06-07.11	■	
1.8 Flexifuel (QQDB)		Gasol./Etanol	FWD	1798	92	125	06.06-07.11	■	
1.8 Flexifuel		Gasol./Etanol	FWD	1798	96	131	12.05-01.08	■	
1.6 TDCi (GPDA)	-12/11	Diesel	FWD	1560	66	90	04.05-09.12	■	
1.6 TDCi (GPDB)	-12/11	Diesel	FWD	1560	66	90	04.05-09.12	■	
1.6 TDCi (GPDC)	-12/11	Diesel	FWD	1560	66	90	04.05-09.12	■	
1.6 TDCi (HHDA)	-12/11	Diesel	FWD	1560	66	90	04.05-09.12	■	
1.6 TDCi (HHDB)	-12/11	Diesel	FWD	1560	66	90	04.05-09.12	■	
1.6 TDCi (G8DA)	-12/11	Diesel	FWD	1560	80	109	04.05-09.12	■	
1.6 TDCi (G8DB)	-12/11	Diesel	FWD	1560	80	109	04.05-09.12	■	
1.6 TDCi (G8DD)	-12/11	Diesel	FWD	1560	80	109	04.05-09.12	■	
1.6 TDCi (G8DE)	-12/11	Diesel	FWD	1560	80	109	04.05-09.12	■	
1.6 TDCi (G8DF)	-12/11	Diesel	FWD	1560	80	109	04.05-09.12	■	
1.8 TDCi (KKDA)	-12/11	Diesel	FWD	1753	85	115	04.05-09.12	■	
2.0 TDCi (IXDA)		Diesel	FWD	1997	81	110	02.08-07.11	■	
2.0 TDCi (G6DA)	-12/11	Diesel	FWD	1997	100	136	04.05-09.12	■	
2.0 TDCi (G6DB)	-12/11	Diesel	FWD	1997	100	136	04.05-09.12	■	
2.0 TDCi (G6DD)	-12/11	Diesel	FWD	1997	100	136	04.05-09.12	■	
2.0 TDCi (G6DG)	-12/11	Diesel	FWD	1997	100	136	04.05-09.12	■	
<b>FOCUS II Turnier (DA_, FFS, DS) 07.04-09.12</b>					<b>Estate (Compact car-C Segment)</b>				
1.4 (ASDA)	-12/11	Gasolina	FWD	1388	59	80	07.04-09.12	■	
1.4 (ASDB)	-12/11	Gasolina	FWD	1388	59	80	07.04-09.12	■	
1.6 (HWDA)		Gasolina	FWD	1596	74	100	07.04-07.11	■	
1.6 (HWDB)		Gasolina	FWD	1596	74	100	07.04-07.11	■	

# LISTA DE APLICACIONES - BUYERS GUIDE

1.6 (SHDA)		Gasolina	FWD	1596	74	100	07.04-07.11	■
1.6 (SHDB)		Gasolina	FWD	1596	74	100	07.04-07.11	■
1.6 (SHDC)		Gasolina	FWD	1596	74	100	07.04-07.11	■
1.6 Ti (HXDA)		Gasolina	FWD	1596	85	115	07.04-09.12	■
1.6 Ti (HXDB)		Gasolina	FWD	1596	85	115	07.04-09.12	■
1.6 Ti (SIDA)		Gasolina	FWD	1596	85	115	07.04-09.12	■
1.8 (Q7DA)	-12/11	Gasolina	FWD	1798	92	125	03.06-09.12	■
1.8 (QQDA)	-12/11	Gasolina	FWD	1798	92	125	03.06-09.12	■
1.8 (QQDB)	-12/11	Gasolina	FWD	1798	92	125	03.06-09.12	■
1.8 Flexifuel		Gasolina	FWD	1798	97	132	12.05-01.08	■
2.0 (AODA)		Gasolina	FWD	1999	107	145	07.04-09.12	■
2.0 (AODB)		Gasolina	FWD	1999	107	145	07.04-09.12	■
2.0 (AODE)		Gasolina	FWD	1999	107	145	07.04-09.12	■
2.0 (SYDA)		Gasolina	FWD	1999	107	145	07.04-09.12	■
1.6 LPG (SIDA)	-12/11	Gasol./Gas (LPG)	FWD	1596	85	115	10.09-09.12	■
2.0 LPG (SYDA)	01/09-	Gasol./Gas (LPG)	FWD	1999	107	145	06.08-07.11	■
1.8 Flexifuel (Q7DA)	-12/11	Gasol./Etanol	FWD	1798	92	125	01.06-09.12	■
1.8 Flexifuel (QQDA)	-12/11	Gasol./Etanol	FWD	1798	92	125	01.06-09.12	■
1.8 Flexifuel (QQDB)	-12/11	Gasol./Etanol	FWD	1798	92	125	01.06-09.12	■
1.6 TDCi (GPDA)	-12/11	Diesel	FWD	1560	66	90	07.04-09.12	■
1.6 TDCi (GPDB)	-12/11	Diesel	FWD	1560	66	90	07.04-09.12	■
1.6 TDCi (GPDC)	-12/11	Diesel	FWD	1560	66	90	07.04-09.12	■
1.6 TDCi (HHDA)	-12/11	Diesel	FWD	1560	66	90	07.04-09.12	■
1.6 TDCi (HHDB)	-12/11	Diesel	FWD	1560	66	90	07.04-09.12	■
1.6 TDCi (G8DA)	-12/11	Diesel	FWD	1560	80	109	07.04-09.12	■
1.6 TDCi (G8DB)	-12/11	Diesel	FWD	1560	80	109	07.04-09.12	■
1.6 TDCi (G8DD)	-12/11	Diesel	FWD	1560	80	109	07.04-09.12	■
1.6 TDCi (G8DE)	-12/11	Diesel	FWD	1560	80	109	07.04-09.12	■
1.6 TDCi (G8DF)	-12/11	Diesel	FWD	1560	80	109	07.04-09.12	■
1.8 TDCi (KKDA)		Diesel	FWD	1753	85	115	07.04-09.12	■
2.0 TDCi (IXDA)		Diesel	FWD	1997	81	110	02.08-07.11	■
2.0 TDCi (G6DA)	-12/11	Diesel	FWD	1997	100	136	07.04-09.12	■
2.0 TDCi (G6DB)	-12/11	Diesel	FWD	1997	100	136	07.04-09.12	■
2.0 TDCi (G6DD)	-12/11	Diesel	FWD	1997	100	136	07.04-09.12	■
2.0 TDCi (G6DG)	-12/11	Diesel	FWD	1997	100	136	07.04-09.12	■
<b>FOCUS III 02.12-</b>							<b>Estate Van (Compact car-C Segment)</b>	
1.0 EcoBoost (M2DA)		Gasolina	FWD	998	74	100	02.12-02.20	■
1.0 EcoBoost (M2DB)		Gasolina	FWD	998	74	100	02.12-02.20	■
1.0 EcoBoost (M2DC)		Gasolina	FWD	998	74	100	02.12-02.20	■
1.0 EcoBoost (SFDA)		Gasolina	FWD	998	74	100	02.12-02.20	■
1.0 EcoBoost (SFDB)		Gasolina	FWD	998	74	100	02.12-02.20	■
1.0 EcoBoost (M1DA)		Gasolina	FWD	998	92	125	02.12-02.20	■
1.0 EcoBoost (M1DC)		Gasolina	FWD	998	92	125	02.12-02.20	■
1.0 EcoBoost (M1DD)		Gasolina	FWD	998	92	125	02.12-02.20	■
1.5 EcoBoost (M8DA)		Gasolina	FWD	1498	110	150	09.14-02.20	■
1.5 EcoBoost (M8DB)		Gasolina	FWD	1498	110	150	09.14-02.20	■
1.5 EcoBoost (M8DD)		Gasolina	FWD	1498	110	150	09.14-02.20	■
1.5 EcoBoost (M8DE)		Gasolina	FWD	1498	110	150	09.14-02.20	■
1.5 EcoBoost (M9DA)		Gasolina	FWD	1498	134	182	09.14-02.20	■

# LISTA DE APLICACIONES - BUYERS GUIDE

1.5 EcoBoost (M9DB)	Gasolina	FWD	1498	134	182	09.14-02.20	■
1.5 TDCi (XXDA)	Diesel	FWD	1499	70	95	09.14-02.20	■
1.5 TDCi (XXDC)	Diesel	FWD	1499	70	95	09.14-02.20	■
1.5 TDCi ECOnetic (XXDB)	Diesel	FWD	1499	77	105	09.14-02.20	■
1.5 TDCi (XWDA)	Diesel	FWD	1499	88	120	09.14-02.20	■
1.5 TDCi (XWDB)	Diesel	FWD	1499	88	120	09.14-02.20	■
1.5 TDCi (XWDC)	Diesel	FWD	1499	88	120	09.14-02.20	■
1.5 TDCi (XWDD)	Diesel	FWD	1499	88	120	09.14-02.20	■
2.0 TDCi (T7DA)	Diesel	FWD	1997	110	150	11.14-02.20	■
2.0 TDCi (T7DB)	Diesel	FWD	1997	110	150	11.14-02.20	■
<b>FOCUS III (C346) 01.11-</b>						<b>Hatchback Van (Compact car-C Segment)</b>	
1.0 EcoBoost (M2DA)	Gasolina	FWD	998	74	100	02.12-12.17	■
1.0 EcoBoost (M2DB)	Gasolina	FWD	998	74	100	02.12-12.17	■
1.0 EcoBoost (M2DC)	Gasolina	FWD	998	74	100	02.12-12.17	■
1.0 EcoBoost (SFDA)	Gasolina	FWD	998	74	100	02.12-12.17	■
1.0 EcoBoost (SFDB)	Gasolina	FWD	998	74	100	02.12-12.17	■
1.0 EcoBoost (M1DA)	Gasolina	FWD	998	92	125	02.12-12.17	■
1.0 EcoBoost (M1DC)	Gasolina	FWD	998	92	125	02.12-12.17	■
1.0 EcoBoost (M1DD)	Gasolina	FWD	998	92	125	02.12-12.17	■
1.5 EcoBoost (M8DA)	Gasolina	FWD	1498	110	150	09.14-12.17	■
1.5 EcoBoost (M8DB)	Gasolina	FWD	1498	110	150	09.14-12.17	■
1.5 EcoBoost (M9DA)	Gasolina	FWD	1498	134	182	09.14-12.17	■
1.5 EcoBoost (M9DB)	Gasolina	FWD	1498	134	182	09.14-12.17	■
1.6 Ti (IQDA)	Gasolina	FWD	1596	77	105	01.11-02.20	■
1.6 Ti (IQDB)	Gasolina	FWD	1596	77	105	01.11-02.20	■
1.6 EcoBoost (JQDA)	Gasolina	FWD	1596	110	150	11.11-06.14	■
1.6 EcoBoost (JQDB)	Gasolina	FWD	1596	110	150	11.11-06.14	■
1.6 EcoBoost (YUDA)	Gasolina	FWD	1596	110	150	11.11-06.14	■
1.6 EcoBoost (JTDA)	Gasolina	FWD	1596	134	182	11.11-06.14	■
1.6 EcoBoost (JTDB)	Gasolina	FWD	1596	134	182	11.11-06.14	■
1.5 TDCi (XXDA)	Diesel	FWD	1499	70	95	09.14-12.17	■
1.5 TDCi (XXDC)	Diesel	FWD	1499	70	95	09.14-12.17	■
1.5 TDCi (XXDD)	Diesel	FWD	1499	70	95	09.14-12.17	■
1.5 TDCi ECOnetic (AEDA)	Diesel	FWD	1499	77	105	09.14-12.17	■
1.5 TDCi ECOnetic (XXDB)	Diesel	FWD	1499	77	105	09.14-12.17	■
1.5 TDCi (XWDA)	Diesel	FWD	1499	88	120	09.14-12.17	■
1.5 TDCi (XWDB)	Diesel	FWD	1499	88	120	09.14-12.17	■
1.5 TDCi (XWDC)	Diesel	FWD	1499	88	120	09.14-12.17	■
1.5 TDCi (XWDD)	Diesel	FWD	1499	88	120	09.14-12.17	■
1.5 TDCi (XWDE)	Diesel	FWD	1499	88	120	09.14-12.17	■
1.6 TDCi (T3DA)	Diesel	FWD	1560	70	95	01.11-12.17	■
1.6 TDCi (T3DB)	Diesel	FWD	1560	70	95	01.11-12.17	■
1.6 TDCi (T1DA)	Diesel	FWD	1560	85	115	02.12-12.17	■
1.6 TDCi (T1DB)	Diesel	FWD	1560	85	115	02.12-12.17	■
2.0 TDCi (TYDA)	Diesel	FWD	1997	85	115	01.11-06.14	■
2.0 TDCi (UFDB)	Diesel	FWD	1997	103	140	01.11-06.14	■
2.0 TDCi (T7DA)	Diesel	FWD	1997	110	150	11.14-12.17	■
2.0 TDCi (T7DB)	Diesel	FWD	1997	110	150	11.14-12.17	■
2.0 TDCi (TXDB)	Diesel	FWD	1997	120	163	01.11-06.14	■

# LISTA DE APLICACIONES - BUYERS GUIDE

<b>FOCUS III (C346) 07.10-</b>					<b>Hatchback (Compact car-C Segment)</b>				
1.0 EcoBoost (M2DA)	disc brak.rear axle	Gasolina	FWD	998	74	100	02.12-12.17	■	
1.0 EcoBoost (M2DB)	disc brak.rear axle	Gasolina	FWD	998	74	100	02.12-12.17	■	
1.0 EcoBoost (M2DC)	disc brak.rear axle	Gasolina	FWD	998	74	100	02.12-12.17	■	
1.0 EcoBoost (SFDA)	disc brak.rear axle	Gasolina	FWD	998	74	100	02.12-12.17	■	
1.0 EcoBoost (SFDB)	disc brak.rear axle	Gasolina	FWD	998	74	100	02.12-12.17	■	
1.0 EcoBoost (M1DA)	disc brak.rear axle	Gasolina	FWD	998	92	125	02.12-12.17	■	
1.0 EcoBoost (M1DC)	disc brak.rear axle	Gasolina	FWD	998	92	125	02.12-12.17	■	
1.0 EcoBoost (M1DD)	disc brak.rear axle	Gasolina	FWD	998	92	125	02.12-12.17	■	
1.0 EcoBoost (M1DH)		Gasolina	FWD	998	103	140	10.17-02.20	■	
1.5 EcoBoost (M8DA)		Gasolina	FWD	1498	110	150	09.14-12.17	■	
1.5 EcoBoost (M8DB)		Gasolina	FWD	1498	110	150	09.14-12.17	■	
1.5 EcoBoost (M9DA)		Gasolina	FWD	1498	134	182	09.14-12.17	■	
1.5 EcoBoost (M9DB)		Gasolina	FWD	1498	134	182	09.14-12.17	■	
1.6 Ti (XTDA)	disc brak.rear axle	Gasolina	FWD	1596	63	85	08.11-12.17	■	
1.6 Ti (XTDB)	disc brak.rear axle	Gasolina	FWD	1596	63	85	08.11-12.17	■	
1.6 Ti (IQDA)	disc brak.rear axle	Gasolina	FWD	1596	77	105	07.10-02.20	■	
1.6 Ti (IQDB)	disc brak.rear axle	Gasolina	FWD	1596	77	105	07.10-02.20	■	
1.6 Ti (IQDC)	disc brak.rear axle	Gasolina	FWD	1596	77	105	07.10-02.20	■	
1.6 Ti (MUDA)		Gasolina	FWD	1596	88	120	02.12-12.17	■	
1.6 Ti (MUDD)		Gasolina	FWD	1596	88	120	02.12-12.17	■	
1.6 Ti (PNDA)	disc brak.rear axle	Gasolina	FWD	1596	92	125	07.10-12.17	■	
1.6 Ti (PNDD)	disc brak.rear axle	Gasolina	FWD	1596	92	125	07.10-12.17	■	
1.6 EcoBoost (JQDA)		Gasolina	FWD	1596	110	150	07.10-06.14	■	
1.6 EcoBoost (JQDB)		Gasolina	FWD	1596	110	150	07.10-06.14	■	
1.6 EcoBoost (YUDA)		Gasolina	FWD	1596	110	150	07.10-06.14	■	
1.6 EcoBoost (JTDA)		Gasolina	FWD	1596	134	182	07.10-06.14	■	
1.6 EcoBoost (JTDB)		Gasolina	FWD	1596	134	182	07.10-06.14	■	
2.0 ST		Gasolina	FWD	1997	186	253	09.13-	■	
2.0 (XQDA)		Gasolina	FWD	1999	110	150	10.13-12.17	■	
2.0 Ti-GDi (MGDA)		Gasolina	FWD	1999	125	170	08.11-02.20	■	
2.0 ST (R9DA)		Gasolina	FWD	1999	184	250	07.12-12.17	■	
2.0 ST (R9DB)		Gasolina	FWD	1999	184	250	07.12-12.17	■	
2.0 ST (R9DC)		Gasolina	FWD	1999	184	250	07.12-12.17	■	
2.0 ST (R9DD)		Gasolina	FWD	1999	184	250	07.12-12.17	■	
1.6 LPG (MUDA)		Gasol./Gas (LPG)	FWD	1596	86	117	02.12-02.20	■	
1.6 LPG (MUDD)	disc brak.rear axle	Gasol./Gas (LPG)	FWD	1596	88	120	02.12-02.20	■	
1.6 LPG (MUDD)	disc brak.rear axle	Gasol./Gas (LPG)	FWD	1596	88	120	02.12-02.20	■	
1.6 Flexifuel (MUDA)	disc brak.rear axle	Gasol./Etanol	FWD	1596	88	120	07.10-02.20	■	
1.6 Flexifuel (MUDD)	disc brak.rear axle	Gasol./Etanol	FWD	1596	88	120	07.10-02.20	■	
1.6 Flexifuel (YUDA)		Gasol./Etanol	FWD	1596	110	150	07.13-02.20	■	
Electric (KDDA)		Eléctrico	FWD		107	145	07.13-12.17	■	
1.5 TDCi (XXDA)		Diesel	FWD	1499	70	95	09.14-04.18	■	
1.5 TDCi (XXDC)		Diesel	FWD	1499	70	95	09.14-04.18	■	
1.5 TDCi (XXDD)		Diesel	FWD	1499	70	95	09.14-04.18	■	
1.5 TDCi ECOnetic (AEDA)		Diesel	FWD	1499	77	105	09.14-12.17	■	
1.5 TDCi ECOnetic (XXDB)		Diesel	FWD	1499	77	105	09.14-12.17	■	
1.5 TDCi (XWDA)		Diesel	FWD	1499	88	120	09.14-04.18	■	

# LISTA DE APLICACIONES - BUYERS GUIDE

1.5 TDCi (XWDB)		Diesel	FWD	1499	88	120	09.14-04.18	■	
1.5 TDCi (XWDC)		Diesel	FWD	1499	88	120	09.14-04.18	■	
1.5 TDCi (XWDD)		Diesel	FWD	1499	88	120	09.14-04.18	■	
1.5 TDCi (XWDE)		Diesel	FWD	1499	88	120	09.14-04.18	■	
1.6 TDCi (T3DA)	disc brak.rear axle	Diesel	FWD	1560	70	95	07.10-12.17	■	
1.6 TDCi (T3DB)	disc brak.rear axle	Diesel	FWD	1560	70	95	07.10-12.17	■	
1.6 TDCi ECOnetic (NGDA)		Diesel	FWD	1560	77	105	05.12-07.15	■	
1.6 TDCi ECOnetic (NGDB)		Diesel	FWD	1560	77	105	05.12-07.15	■	
1.6 TDCi (T1DA)	disc brak.rear axle	Diesel	FWD	1560	85	115	07.10-12.17	■	
1.6 TDCi (T1DB)	disc brak.rear axle	Diesel	FWD	1560	85	115	07.10-12.17	■	
2.0 TDCi (TYDA)	disc brak.rear axle	Diesel	FWD	1997	85	115	07.10-06.14	■	
2.0 TDCi (UKDB)		Diesel	FWD	1997	100	136	07.10-06.14	■	
2.0 TDCi (UFDB)	disc brak.rear axle	Diesel	FWD	1997	103	140	07.10-06.14	■	
2.0 TDCi (T7DA)		Diesel	FWD	1997	110	150	11.14-12.17	■	
2.0 TDCi (T7DB)		Diesel	FWD	1997	110	150	11.14-12.17	■	
2.0 TDCi (TXDB)	disc brak.rear axle	Diesel	FWD	1997	120	163	07.10-06.14	■	
2.0 TDCi ST (T8DA)		Diesel	FWD	1997	136	185	11.14-12.17	■	
<b>FOCUS III (C346) 07.10-</b>							<b>Saloon (Compact car-C Segment)</b>		
1.0 EcoBoost (M2DA)	disc brak.rear axle	Gasolina	FWD	998	74	100	02.12-02.20	■	
1.0 EcoBoost (M2DB)	disc brak.rear axle	Gasolina	FWD	998	74	100	02.12-02.20	■	
1.0 EcoBoost (M2DC)	disc brak.rear axle	Gasolina	FWD	998	74	100	02.12-02.20	■	
1.0 EcoBoost (SFDA)	disc brak.rear axle	Gasolina	FWD	998	74	100	02.12-02.20	■	
1.0 EcoBoost (SFDB)	disc brak.rear axle	Gasolina	FWD	998	74	100	02.12-02.20	■	
1.0 EcoBoost (M1DA)	disc brak.rear axle	Gasolina	FWD	998	92	125	02.12-02.20	■	
1.0 EcoBoost (M1DC)	disc brak.rear axle	Gasolina	FWD	998	92	125	02.12-02.20	■	
1.0 EcoBoost (M1DD)	disc brak.rear axle	Gasolina	FWD	998	92	125	02.12-02.20	■	
1.0 EcoBoost (M1DH)		Gasolina	FWD	998	103	140	10.17-02.20	■	
1.5 EcoBoost (M8DA)		Gasolina	FWD	1498	110	150	11.14-02.20	■	
1.5 EcoBoost (M8DB)		Gasolina	FWD	1498	110	150	11.14-02.20	■	
1.5 EcoBoost (M9DA)		Gasolina	FWD	1498	134	182	11.14-02.20	■	
1.5 EcoBoost (M9DB)		Gasolina	FWD	1498	134	182	11.14-02.20	■	
1.6 Ti (XTDA)	disc brak.rear axle	Gasolina	FWD	1596	63	85	08.11-02.20	■	
1.6 Ti (XTDB)	disc brak.rear axle	Gasolina	FWD	1596	63	85	08.11-02.20	■	
1.6 Ti (IQDA)	disc brak.rear axle	Gasolina	FWD	1596	77	105	07.10-02.20	■	
1.6 Ti (IQDB)	disc brak.rear axle	Gasolina	FWD	1596	77	105	07.10-02.20	■	
1.6 Ti (IQDC)	disc brak.rear axle	Gasolina	FWD	1596	77	105	07.10-02.20	■	
1.6 Ti (PNDA)	disc brak.rear axle	Gasolina	FWD	1596	92	125	07.10-02.20	■	
1.6 Ti (PNDD)	disc brak.rear axle	Gasolina	FWD	1596	92	125	07.10-02.20	■	
1.6 Flex		Gasolina	FWD	1596	99	135	01.14-	■	
1.6 EcoBoost (JQDA)		Gasolina	FWD	1596	110	150	07.10-06.14	■	
1.6 EcoBoost (JQDB)		Gasolina	FWD	1596	110	150	07.10-06.14	■	
1.6 EcoBoost (YUDA)		Gasolina	FWD	1596	110	150	07.10-06.14	■	
1.6 EcoBoost (JTDA)		Gasolina	FWD	1596	134	182	07.10-06.14	■	
1.6 EcoBoost (JTDB)		Gasolina	FWD	1596	134	182	07.10-06.14	■	
2.0 (XQDA)		Gasolina	FWD	1999	110	150	10.13-02.20	■	
2.0		Gasolina	FWD	1999	119	162	08.11-02.20	■	
2.0 Flex		Gasolina	FWD	1999	119	162	09.12-	■	
2.0 GDI (MGDA)		Gasolina	FWD	1999	125	170	08.11-02.20	■	
1.6 Flexifuel (MUDA)	disc brak.rear axle	Gasol./Etanol	FWD	1596	88	120	07.10-02.20	■	
1.6 Flexifuel (MUDD)	disc brak.rear axle	Gasol./Etanol	FWD	1596	88	120	07.10-02.20	■	

# LISTA DE APLICACIONES - BUYERS GUIDE

1.6 Flexifuel (YUDA)		Gasol./Etanol	FWD	1596	110	150	07.13-02.20	■	
1.5 TDCi (XXDA)		Diesel	FWD	1499	70	95	11.14-02.20	■	
1.5 TDCi (XXDC)		Diesel	FWD	1499	70	95	11.14-02.20	■	
1.5 TDCi (XXDD)		Diesel	FWD	1499	70	95	11.14-02.20	■	
1.5 TDCi ECOnetic (AEDA)		Diesel	FWD	1499	77	105	11.14-02.20	■	
1.5 TDCi ECOnetic (XXDB)		Diesel	FWD	1499	77	105	11.14-02.20	■	
1.5 TDCi (XWDA)		Diesel	FWD	1499	88	120	11.14-02.20	■	
1.5 TDCi (XWDB)		Diesel	FWD	1499	88	120	11.14-02.20	■	
1.5 TDCi (XWDC)		Diesel	FWD	1499	88	120	11.14-02.20	■	
1.5 TDCi (XWDD)		Diesel	FWD	1499	88	120	11.14-02.20	■	
1.5 TDCi (XWDE)		Diesel	FWD	1499	88	120	11.14-02.20	■	
1.6 TDCi (T3DA)	disc brak.rear axle	Diesel	FWD	1560	70	95	07.10-02.20	■	
1.6 TDCi (T3DB)	disc brak.rear axle	Diesel	FWD	1560	70	95	07.10-02.20	■	
1.6 TDCi (NGDA)		Diesel	FWD	1560	77	105	05.12-07.15	■	
1.6 TDCi (NGDB)		Diesel	FWD	1560	77	105	05.12-07.15	■	
1.6 TDCi (T1DA)	disc brak.rear axle	Diesel	FWD	1560	85	115	07.10-02.20	■	
1.6 TDCi (T1DB)	disc brak.rear axle	Diesel	FWD	1560	85	115	07.10-02.20	■	
2.0 TDCi (TYDA)	disc brak.rear axle	Diesel	FWD	1997	85	115	07.10-06.14	■	
2.0 TDCi (UKDB)		Diesel	FWD	1997	100	136	07.10-06.14	■	
2.0 TDCi (UFDB)	disc brak.rear axle	Diesel	FWD	1997	103	140	07.10-06.14	■	
2.0 TDCi (T7DA)		Diesel	FWD	1997	110	150	11.14-02.20	■	
2.0 TDCi (T7DB)		Diesel	FWD	1997	110	150	11.14-02.20	■	
2.0 TDCi (TXDB)	disc brak.rear axle	Diesel	FWD	1997	120	163	07.10-06.14	■	
<b>FOCUS III Turnier (C346) 07.10-</b>					<b>Estate (Compact car-C Segment)</b>				
1.0 EcoBoost (M2DA)	disc brak.rear axle	Gasolina	FWD	998	74	100	02.12-02.20	■	
1.0 EcoBoost (M2DB)	disc brak.rear axle	Gasolina	FWD	998	74	100	02.12-02.20	■	
1.0 EcoBoost (M2DC)	disc brak.rear axle	Gasolina	FWD	998	74	100	02.12-02.20	■	
1.0 EcoBoost (SFDA)	disc brak.rear axle	Gasolina	FWD	998	74	100	02.12-02.20	■	
1.0 EcoBoost (SFDB)	disc brak.rear axle	Gasolina	FWD	998	74	100	02.12-02.20	■	
1.0 EcoBoost (M1DA)	disc brak.rear axle	Gasolina	FWD	998	92	125	02.12-02.20	■	
1.0 EcoBoost (M1DC)	disc brak.rear axle	Gasolina	FWD	998	92	125	02.12-02.20	■	
1.0 EcoBoost (M1DD)	disc brak.rear axle	Gasolina	FWD	998	92	125	02.12-02.20	■	
1.0 EcoBoost (M1DH)		Gasolina	FWD	998	103	140	10.17-02.20	■	
1.5 EcoBoost (M8DA)		Gasolina	FWD	1498	110	150	09.14-02.20	■	
1.5 EcoBoost (M8DB)		Gasolina	FWD	1498	110	150	09.14-02.20	■	
1.5 EcoBoost (M9DA)		Gasolina	FWD	1498	134	182	09.14-02.20	■	
1.5 EcoBoost (M9DB)		Gasolina	FWD	1498	134	182	09.14-02.20	■	
1.6 Ti (XTDA)	disc brak.rear axle	Gasolina	FWD	1596	63	85	08.11-02.20	■	
1.6 Ti (XTDB)	disc brak.rear axle	Gasolina	FWD	1596	63	85	08.11-02.20	■	
1.6 Ti (IQDB)	disc brak.rear axle	Gasolina	FWD	1596	77	105	07.10-02.20	■	
1.6 Ti		Gasolina	FWD	1596	77	105	07.14-	■	
1.6 Ti (MUDA)		Gasolina	FWD	1596	88	120	02.12-02.20	■	
1.6 Ti (MUDD)		Gasolina	FWD	1596	88	120	02.12-02.20	■	
1.6 Ti (PNDA)	disc brak.rear axle	Gasolina	FWD	1596	92	125	07.10-02.20	■	
1.6 Ti (PNDD)	disc brak.rear axle	Gasolina	FWD	1596	92	125	07.10-02.20	■	
1.6 EcoBoost (JQDA)		Gasolina	FWD	1596	110	150	07.10-06.14	■	
1.6 EcoBoost (JQDB)		Gasolina	FWD	1596	110	150	07.10-06.14	■	
1.6 EcoBoost (YUDA)		Gasolina	FWD	1596	110	150	07.10-06.14	■	
1.6 EcoBoost (JTDA)		Gasolina	FWD	1596	134	182	07.10-06.14	■	
1.6 EcoBoost (JTDB)		Gasolina	FWD	1596	134	182	07.10-06.14	■	
2.0 (XQDA)		Gasolina	FWD	1999	110	150	10.13-02.20	■	

# LISTA DE APLICACIONES - BUYERS GUIDE

2.0 Ti-GDi (MGDA)		Gasolina	FWD	1999	125	170	07.10-02.20	■	
2.0 ST (R9DA)		Gasolina	FWD	1999	184	250	07.12-02.20	■	
2.0 ST (R9DB)		Gasolina	FWD	1999	184	250	07.12-02.20	■	
2.0 ST (R9DC)		Gasolina	FWD	1999	184	250	07.12-02.20	■	
2.0 ST (R9DD)		Gasolina	FWD	1999	184	250	07.12-02.20	■	
1.6 LPG (MUDA)		Gasol./Gas (LPG)	FWD	1596	86	117	02.12-02.20	■	
1.6 LPG (MUDA)	disc brak.rear axle	Gasol./Gas (LPG)	FWD	1596	88	120	02.12-02.20	■	
1.6 LPG (MUDD)	disc brak.rear axle	Gasol./Gas (LPG)	FWD	1596	88	120	02.12-02.20	■	
1.6 Flexifuel (MUDA)	disc brak.rear axle	Gasol./Etanol	FWD	1596	88	120	07.10-02.20	■	
1.6 Flexifuel (MUDD)	disc brak.rear axle	Gasol./Etanol	FWD	1596	88	120	07.10-02.20	■	
1.6 Flexifuel (YUDA)		Gasol./Etanol	FWD	1596	110	150	07.13-02.20	■	
1.5 TDCi (XXDA)		Diesel	FWD	1499	70	95	09.14-02.20	■	
1.5 TDCi (XXDC)		Diesel	FWD	1499	70	95	09.14-02.20	■	
1.5 TDCi ECOnetic (XXDB)		Diesel	FWD	1499	77	105	09.14-02.20	■	
1.5 TDCi ECOnetic		Diesel	FWD	1499	77	105	09.15-	■	
1.5 TDCi (XWDA)		Diesel	FWD	1499	88	120	09.14-02.20	■	
1.5 TDCi (XWDB)		Diesel	FWD	1499	88	120	09.14-02.20	■	
1.5 TDCi (XWDC)		Diesel	FWD	1499	88	120	09.14-02.20	■	
1.5 TDCi (XWDD)		Diesel	FWD	1499	88	120	09.14-02.20	■	
1.5 TDCi (XWDE)		Diesel	FWD	1499	88	120	09.14-02.20	■	
1.6 TDCi (T3DA)	disc brak.rear axle	Diesel	FWD	1560	70	95	07.10-02.20	■	
1.6 TDCi (T3DB)	disc brak.rear axle	Diesel	FWD	1560	70	95	07.10-02.20	■	
1.6 TDCi ECOnetic (NGDA)		Diesel	FWD	1560	77	105	05.12-07.15	■	
1.6 TDCi ECOnetic (NGDB)		Diesel	FWD	1560	77	105	05.12-07.15	■	
1.6 TDCi (T1DA)	disc brak.rear axle	Diesel	FWD	1560	85	115	07.10-02.20	■	
1.6 TDCi (T1DB)	disc brak.rear axle	Diesel	FWD	1560	85	115	07.10-02.20	■	
2.0 TDCi (TYDA)	disc brak.rear axle	Diesel	FWD	1997	85	115	07.10-06.14	■	
2.0 TDCi (UKDB)		Diesel	FWD	1997	100	136	07.10-06.14	■	
2.0 TDCi (UFDB)	disc brak.rear axle	Diesel	FWD	1997	103	140	07.10-06.14	■	
2.0 TDCi (T7DA)		Diesel	FWD	1997	110	150	11.14-02.20	■	
2.0 TDCi (T7DB)		Diesel	FWD	1997	110	150	11.14-02.20	■	
2.0 TDCi (TXDB)	disc brak.rear axle	Diesel	FWD	1997	120	163	07.10-06.14	■	
2.0 TDCi ST (T8DA)		Diesel	FWD	1997	136	185	11.14-02.20	■	
<b>FOCUS C-MAX (DM2) 10.03-03.07</b>						<b>MPV (Compact MPV-M1 Segment)</b>			
1.6 (HWDA)	01/05-	Gasolina	FWD	1596	74	100	10.03-03.07	■	
1.6 (HWDB)	01/05-	Gasolina	FWD	1596	74	100	10.03-03.07	■	
1.6 (SHDA)	01/05-	Gasolina	FWD	1596	74	100	10.03-03.07	■	
1.6 (SHDB)	01/05-	Gasolina	FWD	1596	74	100	10.03-03.07	■	
1.6 (SHDC)	01/05-	Gasolina	FWD	1596	74	100	10.03-03.07	■	
1.6 Ti (HXDA)	01/05-	Gasolina	FWD	1596	85	115	08.04-03.07	■	
1.6 Ti (SIDA)	01/05-	Gasolina	FWD	1596	85	115	08.04-03.07	■	
1.8 (CSDA)	01/05-	Gasolina	FWD	1798	88	120	10.03-03.07	■	
1.8 (CSDB)	01/05-	Gasolina	FWD	1798	88	120	10.03-03.07	■	
1.8 (QQDC)		Gasolina	FWD	1798	90	122	09.05-03.07	■	
1.8 (Q7DA)	01/05-	Gasolina	FWD	1798	92	125	04.04-03.07	■	
1.8 (QQDA)	01/05-	Gasolina	FWD	1798	92	125	04.04-03.07	■	
1.8 (QQDB)	01/05-	Gasolina	FWD	1798	92	125	04.04-03.07	■	
2.0 (AODA)	01/05-	Gasolina	FWD	1999	107	145	03.04-03.07	■	

# LISTA DE APLICACIONES - BUYERS GUIDE

2.0 (AODB)	01/05-	Gasolina	FWD	1999	107	145	03.04-03.07	■
2.0 (AODE)	01/05-	Gasolina	FWD	1999	107	145	03.04-03.07	■
2.0 (SYDA)	01/05-	Gasolina	FWD	1999	107	145	03.04-03.07	■
1.8 Flexifuel (Q7DA)		Gasol./Etanol	FWD	1798	92	125	01.06-03.07	■
1.6 TDCi (HHDA)		Diesel	FWD	1560	66	90	02.05-03.07	■
1.6 TDCi (HHDB)		Diesel	FWD	1560	66	90	02.05-03.07	■
1.6 TDCi (G8DA)	01/05-	Diesel	FWD	1560	80	109	10.03-03.07	■
1.6 TDCi (G8DB)	01/05-	Diesel	FWD	1560	80	109	10.03-03.07	■
1.6 TDCi (G8DD)	01/05-	Diesel	FWD	1560	80	109	10.03-03.07	■
1.6 TDCi (G8DE)	01/05-	Diesel	FWD	1560	80	109	10.03-03.07	■
1.6 TDCi (G8DF)	01/05-	Diesel	FWD	1560	80	109	10.03-03.07	■
1.8 TDCi (KKDA)		Diesel	FWD	1753	85	115	01.05-03.07	■
1.8 TDCi (KKDB)		Diesel	FWD	1753	85	115	01.05-03.07	■
2.0 TDCi (G6DC)		Diesel	FWD	1997	98	133	10.03-03.07	■
2.0 TDCi (G6DE)		Diesel	FWD	1997	98	133	10.03-03.07	■
2.0 TDCi (G6DF)		Diesel	FWD	1997	98	133	10.03-03.07	■
2.0 TDCi (G6DA)	01/05-	Diesel	FWD	1997	100	136	10.03-03.07	■
2.0 TDCi (G6DB)	01/05-	Diesel	FWD	1997	100	136	10.03-03.07	■
2.0 TDCi (G6DD)	01/05-	Diesel	FWD	1997	100	136	10.03-03.07	■
2.0 TDCi (G6DG)	01/05-	Diesel	FWD	1997	100	136	10.03-03.07	■
<b>FOCUS Turnier (DNW) 02.99-12.07</b>					<b>Estate (Compact car-C Segment)</b>			
1.8 Bifuel (EYDL)	01/04-	Gasol./Gas (LPG)	FWD	1796	82	111	02.03-01.05	■
<b>GRAND C-MAX 12.10-</b>					<b>Box Body/MPV (LCVs-N1 Segment)</b>			
1.0 EcoBoost (B3DA)		Gasolina	FWD	998	74	100	10.12-06.18	■
1.0 EcoBoost (M2DA)		Gasolina	FWD	998	74	100	10.12-06.18	■
1.0 EcoBoost (M2DC)		Gasolina	FWD	998	74	100	10.12-06.18	■
1.0 EcoBoost (B7DA)		Gasolina	FWD	998	92	125	10.12-06.19	■
1.0 EcoBoost (M1DA)		Gasolina	FWD	998	92	125	10.12-06.19	■
1.0 EcoBoost (M1DD)		Gasolina	FWD	998	92	125	10.12-06.19	■
1.5 EcoBoost (M8DB)		Gasolina	FWD	1498	110	150	03.15-06.19	■
1.6 Ti		Gasolina	FWD	1596	92	125	12.10-12.14	■
1.6 EcoBoost (JQDA)		Gasolina	FWD	1596	110	150	12.10-06.19	■
1.6 EcoBoost (JQDB)		Gasolina	FWD	1596	110	150	12.10-06.19	■
1.6 EcoBoost		Gasolina	FWD	1596	134	182	12.10-06.19	■
1.5 TDCi (XWDA)		Diesel	FWD	1499	88	120	03.15-06.19	■
1.5 TDCi (XWDB)		Diesel	FWD	1499	88	120	03.15-06.19	■
1.5 TDCi (XWDC)		Diesel	FWD	1499	88	120	03.15-06.19	■
1.5 TDCi (XWDD)		Diesel	FWD	1499	88	120	03.15-06.19	■
1.5 TDCi (XWDE)		Diesel	FWD	1499	88	120	03.15-06.19	■
1.6 TDCi (T3DA)		Diesel	FWD	1560	70	95	12.10-06.19	■
1.6 TDCi (T3DB)		Diesel	FWD	1560	70	95	12.10-06.19	■
1.6 TDCi (T1DA)		Diesel	FWD	1560	85	115	12.10-06.19	■
1.6 TDCi (T1DB)		Diesel	FWD	1560	85	115	12.10-06.19	■
2.0 TDCi (TYDA)		Diesel	FWD	1997	85	115	02.11-06.19	■
2.0 TDCi (UFDB)		Diesel	FWD	1997	103	140	12.10-06.19	■
2.0 TDCi (T7DB)		Diesel	FWD	1997	110	150	03.15-06.19	■
2.0 TDCi (T7DC)		Diesel	FWD	1997	110	150	03.15-06.19	■
2.0 TDCi (TXDB)		Diesel	FWD	1997	120	163	12.10-06.19	■
2.0 TDCi (T8DE)		Diesel	FWD	1997	125	170	03.15-06.19	■

# LISTA DE APLICACIONES - BUYERS GUIDE

<b>GRAND C-MAX (DXA/CB7, DXA/CEU) 12.10-</b>					<b>MPV (Large MPV-M1 Segment)</b>			
1.0 EcoBoost (B3DA)		Gasolina	FWD	998	74	100	10.12-06.19	■
1.0 EcoBoost (M2DA)		Gasolina	FWD	998	74	100	10.12-06.19	■
1.0 EcoBoost (M2DC)		Gasolina	FWD	998	74	100	10.12-06.19	■
1.0 EcoBoost (B7DA)		Gasolina	FWD	998	92	125	10.12-06.19	■
1.0 EcoBoost (M1DA)		Gasolina	FWD	998	92	125	10.12-06.19	■
1.0 EcoBoost (M1DD)		Gasolina	FWD	998	92	125	10.12-06.19	■
1.0 EcoBoost		Gasolina	FWD	999	74	101	07.18-06.19	■
1.0 EcoBoost		Gasolina	FWD	999	92	125	07.18-06.19	■
1.5 EcoBoost (M8DB)		Gasolina	FWD	1498	110	150	03.15-06.19	■
1.5 EcoBoost (M9DB)		Gasolina	FWD	1498	134	182	03.15-06.19	■
1.6 Ti (XTDA)		Gasolina	FWD	1596	63	86	12.10-06.19	■
1.6 Ti (IQDA)		Gasolina	FWD	1596	77	105	12.10-06.19	■
1.6 Ti (IQDB)		Gasolina	FWD	1596	77	105	12.10-06.19	■
1.6 Ti (PNDA)		Gasolina	FWD	1596	92	125	12.10-06.19	■
1.6 Ti (PNDD)		Gasolina	FWD	1596	92	125	12.10-06.19	■
1.6 EcoBoost (JQDA)		Gasolina	FWD	1596	110	150	12.10-06.19	■
1.6 EcoBoost (JQDB)		Gasolina	FWD	1596	110	150	12.10-06.19	■
1.6 EcoBoost (JTDA)		Gasolina	FWD	1596	134	182	12.10-06.19	■
1.6 EcoBoost (JTDB)		Gasolina	FWD	1596	134	182	12.10-06.19	■
1.5 TDCi (XXDA)		Diesel	FWD	1499	70	95	03.15-06.19	■
1.5 TDCi (XXDC)		Diesel	FWD	1499	70	95	03.15-06.19	■
1.5 TDCi (XWDA)		Diesel	FWD	1499	88	120	03.15-06.19	■
1.5 TDCi (XWDB)		Diesel	FWD	1499	88	120	03.15-06.19	■
1.5 TDCi (XWDC)		Diesel	FWD	1499	88	120	03.15-06.19	■
1.5 TDCi (XWDD)		Diesel	FWD	1499	88	120	03.15-06.19	■
1.5 TDCi (XWDE)		Diesel	FWD	1499	88	120	03.15-06.19	■
1.6 TDCi (T3DA)		Diesel	FWD	1560	70	95	12.10-06.19	■
1.6 TDCi (T3DB)		Diesel	FWD	1560	70	95	12.10-06.19	■
1.6 TDCi (T1DA)		Diesel	FWD	1560	85	115	12.10-06.19	■
1.6 TDCi (T1DB)		Diesel	FWD	1560	85	115	12.10-06.19	■
2.0 TDCi (TYDA)		Diesel	FWD	1997	85	115	02.11-06.19	■
2.0 TDCi (UKDB)		Diesel	FWD	1997	100	136	02.11-06.19	■
2.0 TDCi (UFDB)		Diesel	FWD	1997	103	140	02.11-06.19	■
2.0 TDCi (T7DB)		Diesel	FWD	1997	110	150	03.15-06.19	■
2.0 TDCi (T7DC)		Diesel	FWD	1997	110	150	03.15-06.19	■
2.0 TDCi (TXDB)		Diesel	FWD	1997	120	163	12.10-06.19	■
2.0 TDCi (T8DE)		Diesel	FWD	1997	125	170	03.15-06.19	■
<b>KA+ III (UK, FK) 08.14-</b>					<b>Hatchback (Supermini car-B Segment)</b>			
1.0 Flex		Gasolina	FWD	997	63	86	08.14-	■
1.2 Ti-VCT		Gasolina	FWD	1196	65	88	09.15-	■
1.5 Flex		Gasolina	FWD	1499	81	110	08.14-	■
1.5 (UEJB)		Gasolina	FWD	1499	82	112	09.15-01.18	■
<b>KA+ III (TK, FK) 08.14-</b>					<b>Saloon (Supermini car-B Segment)</b>			
1.0 Flex		Gasolina	FWD	997	63	86	08.14-	■
1.2		Gasolina	FWD	1196	65	88	09.15-01.18	■
1.5 Flex		Gasolina	FWD	1499	81	110	08.14-	■
1.5 (UEJB)		Gasolina	FWD	1499	82	112	09.15-01.18	■
<b>KUGA 02.08-11.12</b>					<b>SUV Van (Compact SUV-J Segment)</b>			
2.5		Gasolina	4WD	2521	147	200	02.08-11.12	■

# LISTA DE APLICACIONES - BUYERS GUIDE

TDCi		Diesel	FWD	1997	103	140	03.10-11.12	■	
TDCi 4x4		Diesel	4WD	1997	103	140	03.10-11.12	■	
TDCi 4x4		Diesel	4WD	1997	120	163	03.10-11.12	■	
<b>KUGA 02.08-11.12</b>					<b>SUV (Compact SUV-J Segment)</b>				
2.5 (HYDB)		Gasolina	FWD	2522	147	200	03.09-11.12	■	
2.5 (HYDC)		Gasolina	FWD	2522	147	200	03.09-11.12	■	
2.5 4x4 (HYDB)		Gasolina	4WD	2522	147	200	02.08-11.12	■	
2.5 4x4 (HYDC)		Gasolina	4WD	2522	147	200	02.08-11.12	■	
2.0 TDCi (G6DG)		Diesel	FWD	1997	100	136	03.08-11.12	■	
2.0 TDCi (UKDA)		Diesel	FWD	1997	100	136	03.08-11.12	■	
2.0 TDCi 4x4 (G6DG)		Diesel	4WD	1997	100	136	03.08-11.12	■	
2.0 TDCi 4x4 (UKDA)		Diesel	4WD	1997	100	136	03.08-11.12	■	
2.0 TDCi (UFDA)		Diesel	FWD	1997	103	140	03.10-11.12	■	
2.0 TDCi 4x4 (UFDA)		Diesel	4WD	1997	103	140	03.10-11.12	■	
2.0 TDCi 4x4 (TXDA)		Diesel	4WD	1997	120	163	03.10-11.12	■	
<b>KUGA II / ESCAPE III 05.12-</b>					<b>SUV Van (Compact SUV-J Segment)</b>				
1.5 EcoBoost (BNMA)		Gasolina	FWD	1499	88	120	06.19-12.19	■	
1.5 EcoBoost (M8MA)		Gasolina	FWD	1499	110	150	09.14-12.19	■	
1.5 EcoBoost 4x4		Gasolina	4WD	1499	129	176	06.19-12.19	■	
1.5 EcoBoost 4x4 (M9MA)		Gasolina	4WD	1499	134	182	09.14-12.19	■	
1.5 TDCi (XWMB)		Diesel	FWD	1499	88	120	01.19-12.19	■	
1.5 TDCi (XWMC)		Diesel	FWD	1499	88	120	01.19-12.19	■	
2.0 TDCi (XRMA)		Diesel	FWD	1997	88	120	09.14-12.19	■	
2.0 TDCi (XRMB)		Diesel	FWD	1997	88	120	09.14-12.19	■	
2.0 TDCi	not elec.brak.detent	Diesel	FWD	1997	103	140	06.12-12.19	■	
2.0 TDCi (T7MA)		Diesel	FWD	1997	110	150	09.14-12.19	■	
2.0 TDCi (T7MB)		Diesel	FWD	1997	110	150	09.14-12.19	■	
2.0 TDCi 4x4 (T7MA)		Diesel	4WD	1997	110	150	09.14-12.19	■	
2.0 TDCi 4x4 (T7MB)		Diesel	4WD	1997	110	150	09.14-12.19	■	
2.0 TDCi 4x4 (T8MA)		Diesel	4WD	1998	132	180	09.14-12.19	■	
2.0 TDCi 4x4 (T8MB)		Diesel	4WD	1998	132	180	09.14-12.19	■	
<b>KUGA II / ESCAPE III (DM2) 05.12-</b>					<b>SUV (Compact SUV-J Segment)</b>				
1.5 EcoBoost (BNMA)		Gasolina	FWD	1499	88	120	01.16-06.19	■	
1.5 EcoBoost (M8MA)		Gasolina	FWD	1499	110	150	09.14-06.19	■	
1.5 EcoBoost 4x4 (M8MA)		Gasolina	4WD	1499	110	150	07.16-12.19	■	
1.5 EcoBoost 4x4		Gasolina	4WD	1499	129	176	08.18-06.19	■	
1.5 EcoBoost 4x4		Gasolina	4WD	1499	132	180	10.15-12.19	■	
1.5 EcoBoost 4x4 (M9MA)		Gasolina	4WD	1499	134	182	09.14-06.18	■	
1.6 EcoBoost (JQMA)		Gasolina	FWD	1596	110	150	03.13-09.14	■	
1.6 EcoBoost (JQMB)		Gasolina	FWD	1596	110	150	03.13-09.14	■	
1.6 EcoBoost 4x4 (JQMA)		Gasolina	4WD	1596	110	150	03.13-09.14	■	
1.6 EcoBoost 4x4 (JQMB)		Gasolina	4WD	1596	110	150	03.13-09.14	■	
1.6 EcoBoost		Gasolina	FWD	1596	130	177	01.13-	■	
1.6 EcoBoost 4x4 (JTMA)		Gasolina	4WD	1596	132	179	10.12-12.19	■	
1.6 EcoBoost 4x4 (JTMA)		Gasolina	4WD	1596	134	182	03.13-09.14	■	
1.6		Gasolina	FWD	1601	133	181	03.13-	■	
2.0 EcoBoost 4x4		Gasolina	4WD	1999	169	230	03.19-12.19	■	
2.0 EcoBoost 4x4 (R9MA)		Gasolina	4WD	1999	178	242	08.17-06.18	■	
2.5		Gasolina	FWD	2488	110	150	01.14-12.19	■	
1.5 EcoBoost E85	not elec.brak.detent	Etanol	FWD	1499	110	150	02.19-11.19	■	

# LISTA DE APLICACIONES - BUYERS GUIDE

1.5 TDCi (XWMB)		Diesel	FWD	1499	88	120	07.16-06.19	■
1.5 TDCi (XWMC)		Diesel	FWD	1499	88	120	07.16-06.19	■
2.0 TDCi (TYMA)		Diesel	FWD	1997	85	115	03.13-12.19	■
2.0 TDCi (XRMA)		Diesel	FWD	1997	88	120	09.14-06.19	■
2.0 TDCi (XRMB)		Diesel	FWD	1997	88	120	09.14-06.19	■
2.0 TDCi (UKMA)		Diesel	FWD	1997	100	136	03.13-12.19	■
2.0 TDCi 4x4 (UKMA)		Diesel	4WD	1997	100	136	03.13-12.19	■
2.0 TDCi (UFMA)	Long Wheelbase	Diesel	FWD	1997	103	140	03.13-09.14	■
2.0 TDCi 4x4 (UFMA)		Diesel	4WD	1997	103	140	03.13-09.14	■
2.0 TDCi (T7MA)		Diesel	FWD	1997	110	150	09.14-06.19	■
2.0 TDCi (T7MB)		Diesel	FWD	1997	110	150	09.14-06.19	■
2.0 TDCi (T7MC)		Diesel	FWD	1997	110	150	09.14-06.19	■
2.0 TDCi (T7MD)		Diesel	FWD	1997	110	150	09.14-06.19	■
2.0 TDCi 4x4 (T7MA)		Diesel	4WD	1997	110	150	09.14-06.19	■
2.0 TDCi 4x4 (T7MB)		Diesel	4WD	1997	110	150	09.14-06.19	■
2.0 TDCi 4x4 (TXDA)		Diesel	4WD	1997	120	163	03.13-09.14	■
2.0 TDCi 4x4 (TXMA)		Diesel	4WD	1997	120	163	03.13-09.14	■
2.0 TDCi 4x4 (T8MA)		Diesel	4WD	1997	132	180	09.14-06.19	■
2.0 TDCi 4x4 (T8MB)		Diesel	4WD	1997	132	180	09.14-06.19	■
<b>TOURNEO CONNECT II / GRAND TOURNEO CONNECT V408 09.13-</b>						<b>MPV (Large MPV-M1 Segment)</b>		
1.0 EcoBoost (B3GA)		Gasolina	FWD	998	74	100	11.13-12.22	■
1.0 EcoBoost (M2GA)		Gasolina	FWD	998	74	100	11.13-12.22	■
1.0 EcoBoost (M2GB)		Gasolina	FWD	998	74	100	11.13-12.22	■
1.6 EcoBoost (JQGA)		Gasolina	FWD	1596	110	150	11.13-12.22	■
1.5 EcoBlue (BEGA)		Diesel	FWD	1499	55	75	05.18-12.22	■
1.5 TDCi (XUGA)		Diesel	FWD	1499	55	75	05.15-12.22	■
1.5 TDCi		Diesel	FWD	1499	70	95	08.16-12.22	■
1.5 EcoBlue (Z2GA)		Diesel	FWD	1499	74	101	05.18-12.22	■
1.5 TDCi (XVGA)		Diesel	FWD	1499	74	101	05.15-12.22	■
1.5 TDCi (XVGB)		Diesel	FWD	1499	74	101	05.15-12.22	■
1.5 TDCi (XVGC)		Diesel	FWD	1499	74	101	05.15-12.22	■
1.5 TDCi (XXGA)		Diesel	FWD	1499	74	101	05.15-12.22	■
1.5 EcoBlue (ZTGA)		Diesel	FWD	1499	88	120	05.18-12.22	■
1.5 TDCi (XWGA)		Diesel	FWD	1499	88	120	05.15-12.22	■
1.5 TDCi (XWGB)		Diesel	FWD	1499	88	120	05.15-12.22	■
1.5 TDCi (XWGC)		Diesel	FWD	1499	88	120	05.15-12.22	■
1.6 TDCi (UBGA)		Diesel	FWD	1560	55	75	09.13-12.22	■
1.6 TDCi (TZGA)		Diesel	FWD	1560	70	95	09.13-12.22	■
1.6 TDCi (TZGB)		Diesel	FWD	1560	70	95	09.13-12.22	■
1.6 TDCi (T1GA)		Diesel	FWD	1560	85	115	09.13-12.22	■
<b>TRANSIT CONNECT II 09.13-</b>						<b>MPV (Large MPV-M1 Segment)</b>		
1.6 EcoBoost		Gasolina	FWD	1596	110	150	02.13-	■
2.5 Duratec		Gasolina	FWD	2488	126	171	09.13-	■
1.5 EcoBlue (BEGA)		Diesel	FWD	1499	55	75	05.18-	■
1.5 TDCi (XUGA)		Diesel	FWD	1499	55	75	08.15-	■
1.5 EcoBlue (Z2GA)		Diesel	FWD	1499	74	101	05.18-	■
1.5 TDCi (XVGA)		Diesel	FWD	1499	74	101	05.15-	■
1.5 TDCi (XVGB)		Diesel	FWD	1499	74	101	05.15-	■
1.5 TDCi (XVGC)		Diesel	FWD	1499	74	101	05.15-	■
1.5 TDCi (XXGA)		Diesel	FWD	1499	74	101	05.15-	■
1.5 EcoBlue (ZTGA)		Diesel	FWD	1499	88	120	05.18-	■

# LISTA DE APLICACIONES - BUYERS GUIDE

1.5 TDCi (XWGA)		Diesel	FWD	1499	88	120	05.15-	■	
1.5 TDCi (XWGB)		Diesel	FWD	1499	88	120	05.15-	■	
1.5 TDCi (XWGC)		Diesel	FWD	1499	88	120	05.15-	■	
1.6 TDCi (UBGA)		Diesel	FWD	1560	55	75	09.13-	■	
1.6 TDCi (TZGA)		Diesel	FWD	1560	70	95	09.13-	■	
1.6 TDCi (TZGB)		Diesel	FWD	1560	70	95	09.13-	■	
1.6 TDCi (T1GA)		Diesel	FWD	1560	85	115	09.13-	■	
<b>TRANSIT CONNECT II V408 09.13-</b>					<b>Box Body/MPV (LCVs-N1 Segment)</b>				
1.0 EcoBoost (B3GA)		Gasolina	FWD	998	74	100	09.13-	■	
1.0 EcoBoost (M2GA)		Gasolina	FWD	998	74	100	09.13-	■	
1.0 EcoBoost (M2GB)		Gasolina	FWD	998	74	100	09.13-	■	
1.6 EcoBoost (JQGA)		Gasolina	FWD	1596	110	150	11.13-	■	
2.5 Duratec		Gasolina	FWD	2488	126	171	09.13-	■	
1.0 Flexifuel		Gasol./Etanol	FWD	998	74	100	05.21-	■	
1.5 EcoBlue (BEGA)		Diesel	FWD	1499	55	75	05.18-	■	
1.5 TDCi (XUGA)		Diesel	FWD	1499	55	75	08.15-	■	
1.5 TDCi		Diesel	FWD	1499	70	95	03.16-	■	
1.5 EcoBlue (Z2GA)		Diesel	FWD	1499	74	101	05.18-	■	
1.5 TDCi (XVGA)		Diesel	FWD	1499	74	101	05.15-	■	
1.5 TDCi (XVGB)		Diesel	FWD	1499	74	101	05.15-	■	
1.5 TDCi (XVGC)		Diesel	FWD	1499	74	101	05.15-	■	
1.5 TDCi (XXGA)		Diesel	FWD	1499	74	101	05.15-	■	
1.5 EcoBlue (ZTGA)		Diesel	FWD	1499	88	120	05.18-	■	
1.5 TDCi (XWGA)		Diesel	FWD	1499	88	120	05.15-	■	
1.5 TDCi (XWGB)		Diesel	FWD	1499	88	120	05.15-	■	
1.5 TDCi (XWGC)		Diesel	FWD	1499	88	120	05.15-	■	
1.6 TDCi (UBGA)		Diesel	FWD	1560	55	75	09.13-	■	
1.6 TDCi (TZGA)		Diesel	FWD	1560	70	95	09.13-	■	
1.6 TDCi (TZGB)		Diesel	FWD	1560	70	95	09.13-	■	
1.6 TDCi (T1GA)		Diesel	FWD	1560	85	115	09.13-	■	
<b>FORD (CHANGAN)</b>									
<b>FOCUS (CD5) 09.05-12.11</b>					<b>Hatchback (Compact car-C Segment)</b>				
1.8		Gasolina	FWD	1798	91	122	08.06-12.11	■	
2.0		Gasolina	FWD	1999	104	140	08.06-12.11	■	
<b>FOCUS (CD4) 09.05-12.11</b>					<b>Saloon (Compact car-C Segment)</b>				
1.8		Gasolina	FWD	1798	91	124	09.05-12.11	■	
2.0		Gasolina	FWD	1999	104	140	09.05-12.11	■	
<b>KUGA 01.13-</b>					<b>SUV (Compact SUV-J Segment)</b>				
1.6 GTDi		Gasolina	FWD	1596	130	177	01.13-	■	
1.6 GTDi		Gasolina	FWD	1596	130	177	01.13-	■	
2.0 GTDi		Gasolina	FWD	1998	178	242	01.13-	■	
<b>FORD AUSTRALIA</b>									
<b>KUGA (TE) 01.11-11.14</b>					<b>Hatchback (Compact SUV-J Segment)</b>				
1.6 EcoBoost		Gasolina	FWD	1596	134	182	04.13-11.14	■	
2.5		Gasolina	FWD	2522	147	200	05.12-	■	
2.0 D		Diesel	RWD	1998	120	163	04.13-	■	
<b>TRANSIT (VO) 09.14-</b>					<b>Platform/Chassis (LCVs-N1 Segment)</b>				
2.2 TDCi		Diesel	RWD	2198	114	155	09.14-	■	

# LISTA DE APLICACIONES - BUYERS GUIDE

TRANSIT (VO) 09.14-					Van (LCVs-N1 Segment)			
2.2 TDCi		Diesel	RWD	2198	114	155	09.14-	■
HAIMA (FAW)								
FAMILY F5 05.18-					Saloon ()			
1.6 (HM474Q-C)		Gasolina	FWD	1591	92	125	05.18-	■
MAZDA								
3 / AXELA (BK) 10.03-12.09					Hatchback (Compact car-C Segment)			
1.3 (BK14) (ZJ07)	01/06-	Gasolina	FWD	1349	62	84	10.03-06.09	■
1.3 (BK14) (ZJ30)	01/06-	Gasolina	FWD	1349	62	84	10.03-06.09	■
1.3 (BK14) (ZJ32)	01/06-	Gasolina	FWD	1349	62	84	10.03-06.09	■
1.4	01/06-	Gasolina	FWD	1388	59	80	02.04-06.09	■
1.6 (BK14) (Z601)	01/06-	Gasolina	FWD	1598	77	105	10.03-06.09	■
1.6 (BK14) (Z627)	01/06-	Gasolina	FWD	1598	77	105	10.03-06.09	■
2.0 (BKEP) (LF50)	01/06-	Gasolina	FWD	1999	110	150	10.03-12.09	■
2.0 (BKEP) (LF72)	01/06-	Gasolina	FWD	1999	110	150	10.03-12.09	■
2.0 (BKEP) (LFDE)	01/06-	Gasolina	FWD	1999	110	150	10.03-12.09	■
2.0 (BKEP) (LFN7)	01/06-	Gasolina	FWD	1999	110	150	10.03-12.09	■
2.0 (BKEP) (LFN8)	01/06-	Gasolina	FWD	1999	110	150	10.03-12.09	■
2.0 (BKEP) (LFVE)	01/06-	Gasolina	FWD	1999	110	150	10.03-12.09	■
2.3 MZR Sport	01/06-	Gasolina	FWD	2261	126	171	10.03-06.09	■
2.3 DiSi Turbo MPS (BK3P) (L3YH)		Gasolina	FWD	2261	184	250	06.06-06.09	■
2.3 MPS Turbo (BK14) (L3M6)		Gasolina	FWD	2261	191	260	12.06-06.09	■
2.3 MPS		Gasolina	FWD	2261	196	267	01.07-06.09	■
1.6 MZ-CD (Y406)		Diesel	FWD	1560	66	90	06.06-12.09	■
1.6 DI Turbo (Y601)	01/06-	Diesel	FWD	1560	80	109	06.04-06.09	■
1.6 DI Turbo (Y603)	01/06-	Diesel	FWD	1560	80	109	06.04-06.09	■
1.6 DI Turbo (Y605)	01/06-	Diesel	FWD	1560	80	109	06.04-06.09	■
1.6 DI Turbo (Y642)	01/06-	Diesel	FWD	1560	80	109	06.04-06.09	■
2.0 MZR-CD (BK14) (RF7J)		Diesel	FWD	1998	105	143	07.06-06.09	■
2.0 MZR-CD (BK14) (RF8G)		Diesel	FWD	1998	105	143	07.06-06.09	■
3 / AXELA (BK) 09.99-12.09					Saloon (Compact car-C Segment)			
1.6 (BK12) (Z601)	01/06-	Gasolina	FWD	1598	77	105	02.04-06.09	■
1.6 (BK12) (Z627)	01/06-	Gasolina	FWD	1598	77	105	02.04-06.09	■
2.0 16V	01/07-	Gasolina	FWD	1995	109	148	01.04-	■
2.0 16V	01/06-	Gasolina	FWD	1995	110	150	01.04-	■
2.0 (BKEP) (LF50)	01/06-	Gasolina	FWD	1999	110	150	10.03-12.09	■
2.0 (BKEP) (LF72)	01/06-	Gasolina	FWD	1999	110	150	10.03-12.09	■
2.0 (BKEP) (LFDE)	01/06-	Gasolina	FWD	1999	110	150	10.03-12.09	■
2.0 (BKEP) (LFN7)	01/06-	Gasolina	FWD	1999	110	150	10.03-12.09	■
2.0 (BKEP) (LFN8)	01/06-	Gasolina	FWD	1999	110	150	10.03-12.09	■
2.0 (BKEP) (LFVE)	01/06-	Gasolina	FWD	1999	110	150	10.03-12.09	■
2.3 (L3-VE)	01/06-	Gasolina	FWD	2261	118	160	03.04-03.09	■
2.3 16V	01/07-	Gasolina	FWD	2295	116	158	01.04-	■
2.3 16V	01/06-	Gasolina	FWD	2295	118	160	01.04-	■
2.3 16V	01/06-	Gasolina	FWD	2295	118	160	01.04-	■
1.6 DI Turbo (BK12Y) (Y601)	01/06-	Diesel	FWD	1560	80	109	06.04-06.09	■
1.6 DI Turbo (BK12Y) (Y603)	01/06-	Diesel	FWD	1560	80	109	06.04-06.09	■
1.6 DI Turbo (BK12Y) (Y605)	01/06-	Diesel	FWD	1560	80	109	06.04-06.09	■
1.6 DI Turbo (BK12Y) (Y642)	01/06-	Diesel	FWD	1560	80	109	06.04-06.09	■

# LISTA DE APLICACIONES - BUYERS GUIDE

2.0 MZR-CD (BK12) (RF7J)		Diesel	FWD	1998	105	143	12.06-06.09	■	
2.0 MZR-CD (BK12) (RF8G)		Diesel	FWD	1998	105	143	12.06-06.09	■	
<b>5 II / PREMACY (CR) 02.05-12.10</b>					<b>MPV (Compact MPV-M1 Segment)</b>				
1.8 (CR19) (L823)	-12/06	Gasolina	FWD	1798	85	116	02.05-05.10	■	
2.0 (CREW, CR19) (LFF7)	-12/06	Gasolina	FWD	1999	107	146	02.05-05.10	■	
2.3 (CR3W)	-12/06	Gasolina	FWD	2261	122	166	02.05-09.08	■	
2.0 CD (CR19) (RF7J)	-12/06	Diesel	FWD	1998	81	110	02.05-05.10	■	
2.0 CD (CR19) (RF7J)	-12/06	Diesel	FWD	1998	105	143	02.05-05.10	■	
<b>5 III / PREMACY (CW) 06.10-</b>					<b>MPV (Compact MPV-M1 Segment)</b>				
1.6 CD (Y650)		Diesel	FWD	1560	85	116	07.10-	■	
1.6 CD (Y655)		Diesel	FWD	1560	85	116	07.10-	■	
1.6 CD (Y6Y1)		Diesel	FWD	1560	85	116	07.10-	■	
<b>PREMACY (CP) 01.99-03.05</b>					<b>MPV (Compact MPV-M1 Segment)</b>				
2.0		Gasolina	FWD	1999	107	145	02.05-03.05	■	
2.3 SVT		Gasolina	FWD	2261	122	166	02.05-03.05	■	
<b>OPEL</b>									
<b>GT II (M07) 06.07-</b>					<b>Convertible (Sports car-S Segment)</b>				
2.0 (G67) (Z 20 NHH)		Gasolina	RWD	1998	194	264	06.07-12.11	■	
<b>VOLVO</b>									
<b>C30 (533) 09.06-12.13</b>					<b>Hatchback (Compact car-C Segment)</b>				
1.6 (B 4164 S3)		Gasolina	FWD	1596	74	100	10.06-12.12	■	
1.8 (B 4184 S11)		Gasolina	FWD	1798	92	125	10.06-12.12	■	
2.0 (B 4204 S3)		Gasolina	FWD	1999	107	145	10.06-12.12	■	
2.4 i (B 5244 S4)		Gasolina	FWD	2435	125	170	10.06-12.12	■	
T5 (B 5254 T3)		Gasolina	FWD	2521	162	220	10.06-12.12	■	
T5 (B 5254 T7)		Gasolina	FWD	2521	169	230	03.07-12.12	■	
T5		Gasolina	FWD	2521	184	250	10.07-12.13	■	
1.8 Flexfuel (B 4184 S8)		Gasol./Etanol	FWD	1798	92	125	01.07-12.12	■	
2.0 FlexFuel (B 4204 S4)		Gasol./Etanol	FWD	1999	107	146	01.10-12.12	■	
Electric (E400V1)		Eléctrico	FWD		82	112	12.10-12.12	■	
Electric (E400V1)		Eléctrico	FWD		89	120	12.10-12.12	■	
1.6 D (D 4164 T)		Diesel	FWD	1560	80	109	10.06-12.12	■	
D2 (D 4162 T)		Diesel	FWD	1560	84	115	10.10-12.12	■	
D3 (D 5204 T5)		Diesel	FWD	1984	110	150	10.10-12.12	■	
D4 (D 5204 T)		Diesel	FWD	1984	130	177	10.10-12.12	■	
2.0 D (D 4204 T)		Diesel	FWD	1998	100	136	10.06-12.12	■	
D5 (D 5244 T9)		Diesel	FWD	2400	120	163	10.06-12.12	■	
D5 (D 5244 T13)		Diesel	FWD	2400	132	180	10.06-12.12	■	
D5 (D 5244 T8)		Diesel	FWD	2400	132	180	10.06-12.12	■	
<b>C70 II (542) 03.06-12.13</b>					<b>Convertible (Pony car-F Segment)</b>				
2.4 (B 5244 S5)		Gasolina	FWD	2435	103	140	03.06-10.09	■	
2.4 i (B 5244 S4)		Gasolina	FWD	2435	125	170	03.06-10.09	■	
T5 (B 5254 T3)		Gasolina	FWD	2521	162	220	03.06-02.07	■	
T5 (B 5254 T7)		Gasolina	FWD	2521	169	230	03.07-06.13	■	
D3 (D 5204 T5)		Diesel	FWD	1984	110	150	10.10-06.13	■	
D4 (D 5204 T)		Diesel	FWD	1984	130	177	10.10-06.13	■	
2.0 D (D 4204 T)		Diesel	FWD	1998	100	136	01.08-10.09	■	
2.4 D (D 5244 T9)		Diesel	FWD	2400	120	163	03.07-06.13	■	

# LISTA DE APLICACIONES - BUYERS GUIDE

D5 (D 5244 T13)		Diesel	FWD	2400	132	180	03.06-06.13	■	
D5 (D 5244 T8)		Diesel	FWD	2400	132	180	03.06-06.13	■	
<b>S40 II (544) 12.03-12.12</b>							<b>Saloon (Compact executive car-D Segment)</b>		
1.6 (B 4164 S3)		Gasolina	FWD	1596	74	101	01.05-12.12	■	
1.8 (B 4184 S11)	01/05-	Gasolina	FWD	1798	92	125	04.04-12.10	■	
2.0 (B 4204 S3)		Gasolina	FWD	1999	107	146	10.06-12.12	■	
2.4 (B 5244 S5)	01/05-	Gasolina	FWD	2435	103	140	01.04-12.10	■	
2.4 (B 5244 S4)	01/05-	Gasolina	FWD	2435	125	170	01.04-12.12	■	
2.4 AWD		Gasolina	4WD	2435	125	170	08.06-12.12	■	
T5 (B 5254 T3)	01/05-	Gasolina	FWD	2521	162	220	01.04-12.07	■	
T5 AWD (B 5254 T3)	01/05-	Gasolina	4WD	2521	162	220	04.04-12.07	■	
T5 (B 5254 T7)		Gasolina	FWD	2521	169	230	03.07-12.12	■	
T5 AWD (B 5254 T7)		Gasolina	4WD	2521	169	230	03.07-12.10	■	
1.8 Flexfuel (B 4184 S8)	01/08-	Gasol./Etanol	FWD	1798	92	125	01.06-12.10	■	
2.0 F (B 4204 S4)		Gasol./Etanol	FWD	1999	107	146	10.09-12.12	■	
1.6 D (D 4164 T)		Diesel	FWD	1560	81	110	01.05-12.12	■	
D2 (D 4162 T)		Diesel	FWD	1560	84	115	10.10-12.12	■	
D3 (D 5204 T5)		Diesel	FWD	1984	110	150	10.10-12.12	■	
D4 (D 5204 T)		Diesel	FWD	1984	130	177	10.10-12.12	■	
D4 (D 4204 T2)		Diesel	FWD	1998	96	131	07.05-12.06	■	
2.0 CDI (D 4204 T2)		Diesel	FWD	1998	98	133	07.05-12.06	■	
2.0 D (D 4204 T)	01/05-	Diesel	FWD	1998	100	136	01.04-12.10	■	
2.4 CDI (D 5244 T9)		Diesel	FWD	2400	120	163	03.07-12.10	■	
D5 (D 5244 T13)		Diesel	FWD	2400	132	179	03.06-12.10	■	
D5 (D 5244 T8)		Diesel	FWD	2400	132	179	03.06-12.10	■	
<b>V40 (526) 09.13-12.15</b>							<b>Hatchback Van (Compact executive car-D Segment)</b>		
1.6 D2/ DRiVe		Diesel	FWD	1560	84	114	09.13-12.15	■	
2.0 D3		Diesel	FWD	1984	110	150	09.13-12.15	■	
2.0 D4		Diesel	FWD	1984	130	177	09.13-12.14	■	
<b>V40 (526) 10.12-08.19</b>							<b>Hatchback (Compact executive car-D Segment)</b>		
T3		Gasolina	FWD	1498	112	152	04.15-08.19	■	
T4 GTDi		Gasolina	FWD	1596	132	180	10.12-12.16	■	
T3		Gasolina	FWD	1969	112	152	02.15-08.19	■	
T4		Gasolina	FWD	1969	140	190	08.15-08.19	■	
T4 AWD (B 4204 T21)		Gasolina	4WD	1969	140	190	05.14-08.19	■	
T5 AWD (B 4204 T11)		Gasolina	4WD	1969	180	245	05.14-08.19	■	
T5 AWD (B 4204 T41)		Gasolina	4WD	1969	180	245	05.14-08.19	■	
T5 Polestar AWD (B 4204 T11)		Gasolina	4WD	1969	186	253	01.15-08.19	■	
T4		Gasolina	FWD	1984	132	180	10.13-12.15	■	
T4 AWD (B 5204 T8)	RC02	Gasolina	4WD	1984	132	180	07.13-12.15	■	
T5		Gasolina	FWD	1984	157	214	02.13-12.15	■	
T5 AWD (B 5204 T9)	RC02	Gasolina	4WD	1984	157	214	03.13-12.15	■	
T5		Gasolina	FWD	2497	183	249	01.14-12.15	■	
T5 AWD		Gasolina	4WD	2497	183	249	01.14-12.15	■	
T5		Gasolina	FWD	2497	187	254	10.12-12.16	■	
T5 AWD (B 5254 T12)	RC02	Gasolina	4WD	2497	187	254	10.12-12.16	■	
D2		Diesel	FWD	1560	84	114	10.12-12.16	■	
D2		Diesel	FWD	1969	88	120	02.15-08.19	■	
D3		Diesel	FWD	1969	110	150	04.15-08.19	■	

# LISTA DE APLICACIONES - BUYERS GUIDE

D4		Diesel	FWD	1969	140	190	05.14-08.19	■	
D4 Polestar		Diesel	FWD	1969	147	200	05.14-08.19	■	
D3		Diesel	FWD	1984	110	150	10.12-03.15	■	
D4		Diesel	FWD	1984	130	177	10.12-12.14	■	
<b>V40 II (525) 09.13-12.15</b>					<b>Hatchback Van (Compact executive car-D Segment)</b>				
1.6 D2/ DRIVe (D 4162 T)	RC02,RK01	Diesel	FWD	1560	84	114	09.13-12.15	■	
2.0 D3 (D 5204 T6)	RC02	Diesel	FWD	1984	110	150	09.13-12.15	■	
2.0 D4 (D 5204 T4)	RC02	Diesel	FWD	1984	130	177	09.13-12.14	■	
<b>V40 II (525) 03.12-</b>					<b>Hatchback (Compact executive car-D Segment)</b>				
T2 (B 4154 T3)		Gasolina	FWD	1498	90	122	02.15-08.19	■	
T2 (B 4154 T5)		Gasolina	FWD	1498	90	122	02.15-08.19	■	
T3		Gasolina	FWD	1498	90	122	09.18-	■	
T3 (B 4154 T2)		Gasolina	FWD	1498	112	152	02.15-08.19	■	
T3 (B 4154 T4)		Gasolina	FWD	1498	112	152	02.15-08.19	■	
T2 GTDi (B 4164 T4)	RC02	Gasolina	FWD	1596	88	120	04.13-12.16	■	
T3 GTDi (B 4164 T3)	RC02	Gasolina	FWD	1596	110	150	03.12-12.16	■	
T4 GTDi (B 4164 T)	RC02	Gasolina	FWD	1596	132	180	03.12-12.16	■	
T4 GTDi AWD		Gasolina	4WD	1596	132	180	03.12-	■	
T4 (B 4164 T)	RC02	Gasolina	FWD	1596	147	200	04.14-12.15	■	
2.0 T		Gasolina	FWD	1948	121	165	04.13-	■	
T2 (B 4204 T17)	RC02	Gasolina	FWD	1969	90	122	02.15-08.19	■	
T2 (B 4204 T38)	RC02	Gasolina	FWD	1969	90	122	02.15-08.19	■	
T3 (B 4204 T33)	RC02	Gasolina	FWD	1969	112	152	02.15-08.19	■	
T3 (B 4204 T37)	RC02	Gasolina	FWD	1969	112	152	02.15-08.19	■	
T4 (B 4204 T19)	RC02	Gasolina	FWD	1969	140	190	08.15-08.19	■	
T5 (B 4204 T11)	RC02	Gasolina	FWD	1969	180	245	05.14-08.19	■	
T5 (B 4204 T41)	RC02	Gasolina	FWD	1969	180	245	05.14-08.19	■	
T5 Drive-E Polestar (B 4204 T11)	RC02	Gasolina	FWD	1969	186	253	05.14-08.19	■	
T4 (B 5204 T8)	RC02	Gasolina	FWD	1984	132	180	07.13-12.15	■	
T5		Gasolina	FWD	1984	154	210	03.14-	■	
T5 (B 5204 T9)	RC02	Gasolina	FWD	1984	157	214	03.13-12.15	■	
2.4		Gasolina	FWD	2435	125	170	10.13-	■	
T5 (B 5254 T14)	RC02	Gasolina	FWD	2497	183	249	01.14-12.14	■	
T5 (B 5254 T12)	RC02	Gasolina	FWD	2497	187	254	12.12-12.14	■	
D2 (D 4162 T)	RC02,RK01	Diesel	FWD	1560	84	114	03.12-12.16	■	
D2 (D 4204 T13)	RC02	Diesel	FWD	1969	88	120	02.15-08.19	■	
D2 (D 4204 T8)	RC02	Diesel	FWD	1969	88	120	02.15-08.19	■	
D3 (D 4204 T16)	RC02	Diesel	FWD	1969	110	150	04.15-08.19	■	
D3 (D 4204 T9)	RC02	Diesel	FWD	1969	110	150	04.15-08.19	■	
D4 (D 4204 T14)	RC02	Diesel	FWD	1969	140	190	05.14-08.19	■	
D4 Polestar (D 4204 T14)	RC02	Diesel	FWD	1969	147	200	05.14-08.19	■	
D3 (D 5204 T6)	RC02	Diesel	FWD	1984	110	150	03.12-03.15	■	
D4 (D 5204 T4)	RC02	Diesel	FWD	1984	130	177	03.12-12.14	■	
<b>V50 (545) 12.03-12.12</b>					<b>Estate (Luxury car-F Segment)</b>				
1.6 (B 4164 S3)		Gasolina	FWD	1596	74	101	01.05-12.12	■	
1.8 (B 4184 S11)	01/05-	Gasolina	FWD	1798	92	125	04.04-12.10	■	
2.0 (B 4204 S3)		Gasolina	FWD	1999	107	146	10.06-12.12	■	
2.4 (B 5244 S5)	01/05-	Gasolina	FWD	2435	103	140	04.04-12.10	■	
2.4 (B 5244 S4)	01/05-	Gasolina	FWD	2435	125	170	04.04-12.10	■	
2.4 AWD (B 5244 S4)		Gasolina	4WD	2435	125	170	08.06-12.09	■	

## LISTA DE APLICACIONES - BUYERS GUIDE

T5 (B 5254 T3)	01/05-	Gasolina	FWD	2521	162	220	04.04-12.07	■
T5 AWD (B 5254 T3)	01/05-	Gasolina	4WD	2521	162	220	04.04-12.07	■
T5 (B 5254 T7)		Gasolina	FWD	2521	169	230	03.07-12.12	■
T5 AWD (B 5254 T7)		Gasolina	4WD	2521	169	230	03.07-12.10	■
1.8 Bifuel		Gasol./Gas (LPG)	FWD	1798	93	126	01.09-09.10	■
1.8 Flexfuel (B 4184 S8)		Gasol./Etanol	FWD	1798	92	125	01.05-12.10	■
2.0 FlexFuel (B 4204 S4)		Gasol./Etanol	FWD	1999	107	146	01.10-12.12	■
1.6 D (D 4164 T)		Diesel	FWD	1560	80	109	03.05-12.12	■
1.6 D (D 4164 T)		Diesel	FWD	1560	81	110	01.05-12.11	■
D2 (D 4162 T)		Diesel	FWD	1560	84	114	01.10-12.12	■
D3 (D 5204 T5)		Diesel	FWD	1984	110	150	10.10-12.12	■
D4 (D 5204 T)		Diesel	FWD	1984	130	177	10.10-12.12	■
2.0 D4 (D 4204 T2)		Diesel	FWD	1998	96	131	07.05-12.06	■
2.0 CDI (D 4204 T2)		Diesel	FWD	1998	98	133	12.03-12.06	■
2.0 D (D 4204 T)	01/05-	Diesel	FWD	1998	100	136	04.04-12.10	■
2.4 TDi (D 5244 T9)		Diesel	FWD	2400	120	163	05.07-12.10	■
D5 (D 5244 T13)		Diesel	FWD	2400	132	179	03.06-12.10	■
D5 (D 5244 T8)		Diesel	FWD	2400	132	179	03.06-12.10	■

### VOLVO (CHANGAN)

<b>S40 06.06-</b>				<b>Saloon (Compact car-C Segment)</b>				
2.4		Gasolina	FWD	2435	125	170	06.06-12.11	■
2.5		Gasolina	FWD	2521	162	220	06.06-12.10	■