

# LISTA DE APLICACIONES - BUYERS GUIDE

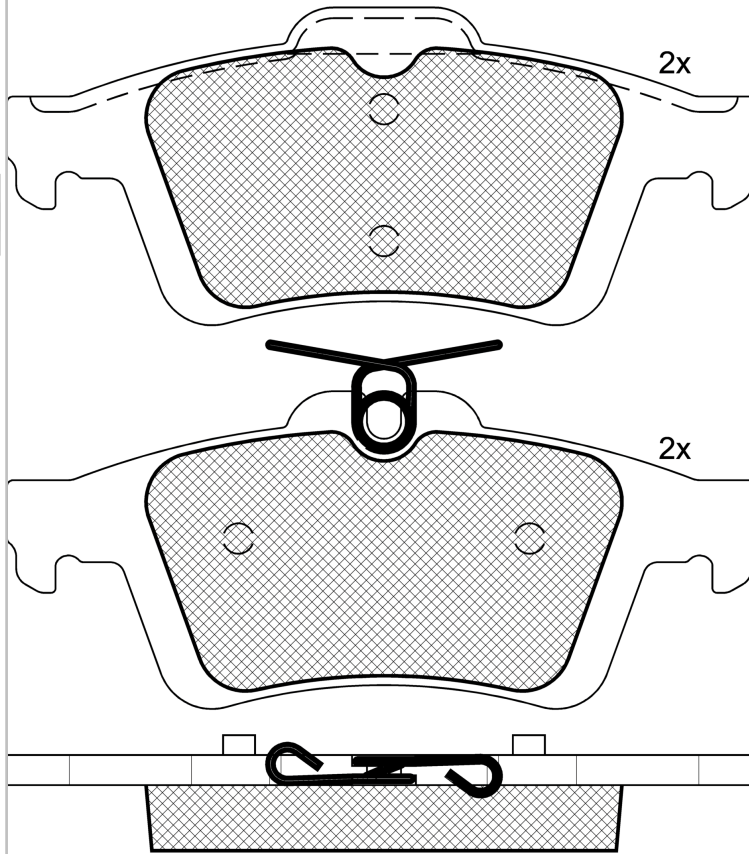
## 181744-396



Qty: 944

Weight: 940

| O.E.M.      | MAKE  |
|-------------|-------|
| 1 360 306   | FORD  |
| 3 073 661 0 | VOLVO |



## 181744-396



E 9 90R-01110/1384

Ate - Teves

123.1x51.9x15.7

**WVA**  
25212  
25213

**MAKE**  
FORD  
FORD (CHANGAN)  
FORD AUSTRALIA  
MAZDA  
OPEL  
VOLVO  
VOLVO (CHANGAN)



| Trac. | CC | Kw | CV |
|-------|----|----|----|
|-------|----|----|----|



Front / Rear

### FORD

#### C-MAX (DM2) 02.07-09.10

#### MPV (Compact MPV-M1 Segment)

|                      |                  |     |      |     |     |             |   |
|----------------------|------------------|-----|------|-----|-----|-------------|---|
| 1.6 (HWDA)           | Gasolina         | FWD | 1596 | 74  | 100 | 02.07-09.10 | ■ |
| 1.6 (HWDB)           | Gasolina         | FWD | 1596 | 74  | 100 | 02.07-09.10 | ■ |
| 1.6 (SHDA)           | Gasolina         | FWD | 1596 | 74  | 100 | 02.07-09.10 | ■ |
| 1.6 (SHDB)           | Gasolina         | FWD | 1596 | 74  | 100 | 02.07-09.10 | ■ |
| 1.6 (SHDC)           | Gasolina         | FWD | 1596 | 74  | 100 | 02.07-09.10 | ■ |
| 1.6 (HXDA)           | Gasolina         | FWD | 1596 | 85  | 116 | 04.07-09.10 | ■ |
| 1.6 (HXDB)           | Gasolina         | FWD | 1596 | 85  | 116 | 04.07-09.10 | ■ |
| 1.6 (SIDA)           | Gasolina         | FWD | 1596 | 85  | 116 | 04.07-09.10 | ■ |
| 1.8 (QQDC)           | Gasolina         | FWD | 1798 | 90  | 122 | 02.07-09.10 | ■ |
| 1.8 (QQDA)           | Gasolina         | FWD | 1798 | 92  | 125 | 02.07-09.10 | ■ |
| 1.8 (QQDB)           | Gasolina         | FWD | 1798 | 92  | 125 | 02.07-09.10 | ■ |
| 2.0 (AODA)           | Gasolina         | FWD | 1999 | 107 | 145 | 02.07-09.10 | ■ |
| 2.0 (AODB)           | Gasolina         | FWD | 1999 | 107 | 145 | 02.07-09.10 | ■ |
| 2.0 (AODE)           | Gasolina         | FWD | 1999 | 107 | 145 | 02.07-09.10 | ■ |
| 2.0 (SYDA)           | Gasolina         | FWD | 1999 | 107 | 145 | 02.07-09.10 | ■ |
| 2.0 LPG (SYDA)       | Gasol./Gas (LPG) | FWD | 1999 | 107 | 145 | 06.08-09.10 | ■ |
| 2.0 CNG (SYDA)       | Gasol./Gas (CNG) | FWD | 1999 | 107 | 145 | 04.09-09.10 | ■ |
| 1.8 Flexifuel (Q7DA) | Gasol./Etanol    | FWD | 1798 | 92  | 125 | 02.07-09.10 | ■ |
| 1.6 TDCi (GPDA)      | Diesel           | FWD | 1560 | 66  | 90  | 02.07-09.10 | ■ |
| 1.6 TDCi (HHDA)      | Diesel           | FWD | 1560 | 66  | 90  | 02.07-09.10 | ■ |
| 1.6 TDCi (HHDB)      | Diesel           | FWD | 1560 | 66  | 90  | 02.07-09.10 | ■ |

# LISTA DE APLICACIONES - BUYERS GUIDE

|   |  |          |     |      |     |     |                                       |   |
|---|--|----------|-----|------|-----|-----|---------------------------------------|---|
| 1.6 TDCi (G8DC)                           |  | Diesel   | FWD | 1560 | 74  | 101 | 02.07-09.10                           | ■ |
| 1.6 TDCi (MTDA)                           |  | Diesel   | FWD | 1560 | 74  | 101 | 02.07-09.10                           | ■ |
| 1.6 TDCi (G8DA)                           |  | Diesel   | FWD | 1560 | 80  | 109 | 02.07-09.10                           | ■ |
| 1.6 TDCi (G8DB)                           |  | Diesel   | FWD | 1560 | 80  | 109 | 02.07-09.10                           | ■ |
| 1.6 TDCi (G8DD)                           |  | Diesel   | FWD | 1560 | 80  | 109 | 02.07-09.10                           | ■ |
| 1.8 TDCi (KKDA)                           |  | Diesel   | FWD | 1753 | 85  | 115 | 02.07-09.10                           | ■ |
| 1.8 TDCi (KKDB)                           |  | Diesel   | FWD | 1753 | 85  | 115 | 02.07-09.10                           | ■ |
| 2.0 TDCi (IXDA)                           |  | Diesel   | FWD | 1997 | 81  | 110 | 02.08-09.10                           | ■ |
| 2.0 TDCi (G6DC)                           |  | Diesel   | FWD | 1997 | 98  | 133 | 02.07-09.10                           | ■ |
| 2.0 TDCi (G6DE)                           |  | Diesel   | FWD | 1997 | 98  | 133 | 02.07-09.10                           | ■ |
| 2.0 TDCi (G6DF)                           |  | Diesel   | FWD | 1997 | 98  | 133 | 02.07-09.10                           | ■ |
| 2.0 TDCi (G6DA)                           |  | Diesel   | FWD | 1997 | 100 | 136 | 02.07-09.10                           | ■ |
| 2.0 TDCi (G6DB)                           |  | Diesel   | FWD | 1997 | 100 | 136 | 02.07-09.10                           | ■ |
| 2.0 TDCi (G6DD)                           |  | Diesel   | FWD | 1997 | 100 | 136 | 02.07-09.10                           | ■ |
| 2.0 TDCi (G6DG)                           |  | Diesel   | FWD | 1997 | 100 | 136 | 02.07-09.10                           | ■ |
| <b>C-MAX II 10.10-</b>                    |  |          |     |      |     |     | <b>Box Body/MPV (LCVs-N1 Segment)</b> |   |
| 1.0 EcoBoost (M2DA)                       |  | Gasolina | FWD | 998  | 74  | 100 | 10.12-06.19                           | ■ |
| 1.0 EcoBoost (M2DC)                       |  | Gasolina | FWD | 998  | 74  | 100 | 10.12-06.19                           | ■ |
| 1.0 EcoBoost (B7DA)                       |  | Gasolina | FWD | 998  | 92  | 125 | 10.12-06.19                           | ■ |
| 1.0 EcoBoost (M1DA)                       |  | Gasolina | FWD | 998  | 92  | 125 | 10.12-06.19                           | ■ |
| 1.0 EcoBoost (M1DD)                       |  | Gasolina | FWD | 998  | 92  | 125 | 10.12-06.19                           | ■ |
| 1.5 EcoBoost (M8DB)                       |  | Gasolina | FWD | 1498 | 110 | 150 | 03.15-06.19                           | ■ |
| 1.5 EcoBoost (M9DB)                       |  | Gasolina | FWD | 1498 | 134 | 182 | 03.15-06.19                           | ■ |
| 1.6 EcoBoost (JQDA)                       |  | Gasolina | FWD | 1596 | 110 | 150 | 12.10-06.19                           | ■ |
| 1.6 EcoBoost (JQDB)                       |  | Gasolina | FWD | 1596 | 110 | 150 | 12.10-06.19                           | ■ |
| 1.5 TDCi ECOnetic (AEDA)                  |  | Diesel   | FWD | 1499 | 77  | 105 | 03.15-06.19                           | ■ |
| 1.5 TDCi (XWDA)                           |  | Diesel   | FWD | 1499 | 88  | 120 | 03.15-06.19                           | ■ |
| 1.5 TDCi (XWDB)                           |  | Diesel   | FWD | 1499 | 88  | 120 | 03.15-06.19                           | ■ |
| 1.5 TDCi (XWDC)                           |  | Diesel   | FWD | 1499 | 88  | 120 | 03.15-06.19                           | ■ |
| 1.5 TDCi (XWDD)                           |  | Diesel   | FWD | 1499 | 88  | 120 | 03.15-06.19                           | ■ |
| 1.5 TDCi (XWDE)                           |  | Diesel   | FWD | 1499 | 88  | 120 | 03.15-06.19                           | ■ |
| 1.6 TDCi (T3DA)                           |  | Diesel   | FWD | 1560 | 70  | 95  | 12.10-06.19                           | ■ |
| 1.6 TDCi (T3DB)                           |  | Diesel   | FWD | 1560 | 70  | 95  | 12.10-06.19                           | ■ |
| 1.6 TDCi (T1DA)                           |  | Diesel   | FWD | 1560 | 85  | 115 | 12.10-06.19                           | ■ |
| 1.6 TDCi (T1DB)                           |  | Diesel   | FWD | 1560 | 85  | 115 | 12.10-06.19                           | ■ |
| 2.0 TDCi (TYDA)                           |  | Diesel   | FWD | 1997 | 85  | 115 | 02.11-06.19                           | ■ |
| 2.0 TDCi (UFDB)                           |  | Diesel   | FWD | 1997 | 103 | 140 | 02.11-06.19                           | ■ |
| 2.0 TDCi (T7DB)                           |  | Diesel   | FWD | 1997 | 110 | 150 | 03.15-06.19                           | ■ |
| 2.0 TDCi (T7DC)                           |  | Diesel   | FWD | 1997 | 110 | 150 | 03.15-06.19                           | ■ |
| 2.0 TDCi (TXDB)                           |  | Diesel   | FWD | 1997 | 120 | 163 | 12.10-06.19                           | ■ |
| 2.0 TDCi (T8DE)                           |  | Diesel   | FWD | 1997 | 125 | 170 | 03.15-06.19                           | ■ |
| <b>C-MAX II (DXA/CB7, DXA/CEU) 04.10-</b> |  |          |     |      |     |     | <b>MPV (Compact MPV-M1 Segment)</b>   |   |
| 1.0 EcoBoost (M2DA)                       |  | Gasolina | FWD | 998  | 74  | 100 | 10.12-06.19                           | ■ |
| 1.0 EcoBoost (M2DC)                       |  | Gasolina | FWD | 998  | 74  | 100 | 10.12-06.19                           | ■ |
| 1.0 EcoBoost (B7DA)                       |  | Gasolina | FWD | 998  | 92  | 125 | 10.12-06.19                           | ■ |
| 1.0 EcoBoost (M1DA)                       |  | Gasolina | FWD | 998  | 92  | 125 | 10.12-06.19                           | ■ |
| 1.0 EcoBoost (M1DD)                       |  | Gasolina | FWD | 998  | 92  | 125 | 10.12-06.19                           | ■ |
| 1.5 EcoBoost (M8DB)                       |  | Gasolina | FWD | 1498 | 110 | 150 | 03.15-06.19                           | ■ |
| 1.5 EcoBoost (M9DB)                       |  | Gasolina | FWD | 1498 | 134 | 182 | 03.15-06.19                           | ■ |
| 1.6 Ti (XTDA)                             |  | Gasolina | FWD | 1596 | 63  | 85  | 12.10-06.19                           | ■ |
| 1.6 Ti (XTDB)                             |  | Gasolina | FWD | 1596 | 63  | 85  | 12.10-06.19                           | ■ |

# LISTA DE APLICACIONES - BUYERS GUIDE

|                             |  |                  |     |      |     |     |  |   |
|-----------------------------|--|------------------|-----|------|-----|-----|--|---|
| 1.6 Ti (IQDA)               |  | Gasolina         | FWD | 1596 | 77  | 105 | 12.10-06.19                                | ■ |
| 1.6 Ti (IQDB)               |  | Gasolina         | FWD | 1596 | 77  | 105 | 12.10-06.19                                | ■ |
| 1.6 Ti (MUDA)               |  | Gasolina         | FWD | 1596 | 88  | 120 | 02.12-06.19                                | ■ |
| 1.6 Ti (MUDD)               |  | Gasolina         | FWD | 1596 | 88  | 120 | 02.12-06.19                                | ■ |
| 1.6 Ti (PNDA)               |  | Gasolina         | FWD | 1596 | 92  | 125 | 12.10-06.19                                | ■ |
| 1.6 Ti (PNDD)               |  | Gasolina         | FWD | 1596 | 92  | 125 | 12.10-06.19                                | ■ |
| 1.6 EcoBoost (JQDA)         |  | Gasolina         | FWD | 1596 | 110 | 150 | 12.10-06.19                                | ■ |
| 1.6 EcoBoost (JQDB)         |  | Gasolina         | FWD | 1596 | 110 | 150 | 12.10-06.19                                | ■ |
| 1.6 EcoBoost (JTDA)         |  | Gasolina         | FWD | 1596 | 134 | 182 | 12.10-06.19                                | ■ |
| 1.6 EcoBoost (JTDB)         |  | Gasolina         | FWD | 1596 | 134 | 182 | 12.10-06.19                                | ■ |
| 1.6 LPG (MUDA)              |  | Gasol./Gas (LPG) | FWD | 1596 | 86  | 117 | 02.12-06.19                                | ■ |
| 1.6 LPG (MUDD)              |  | Gasol./Gas (LPG) | FWD | 1596 | 86  | 117 | 02.12-06.19                                | ■ |
| 1.6 LPG (MUDA)              |  | Gasol./Gas (LPG) | FWD | 1596 | 88  | 120 | 02.12-06.19                                | ■ |
| 1.6 LPG (MUDD)              |  | Gasol./Gas (LPG) | FWD | 1596 | 88  | 120 | 02.12-06.19                                | ■ |
| 1.6 CNG (MUDA)              |  | Gasol./Gas (CNG) | FWD | 1596 | 86  | 117 | 01.13-12.14                                | ■ |
| 1.6 Flexifuel (MUDA)        |  | Gasol./Etanol    | FWD | 1596 | 88  | 120 | 02.11-06.19                                | ■ |
| 1.6 Flexifuel (MUDD)        |  | Gasol./Etanol    | FWD | 1596 | 88  | 120 | 02.11-06.19                                | ■ |
| 2.0 Energi (UADA)           |  | Gasol./eléc.     | FWD | 1999 | 103 | 140 | 01.15-06.19                                | ■ |
| 2.0 Energi (UADA)           |  | Gasol./eléc.     | FWD | 1999 | 136 | 185 | 01.15-06.19                                | ■ |
| 1.5 TDCi (XXDA)             |  | Diesel           | FWD | 1499 | 70  | 95  | 03.15-06.19                                | ■ |
| 1.5 TDCi (XXDC)             |  | Diesel           | FWD | 1499 | 70  | 95  | 03.15-06.19                                | ■ |
| 1.5 TDCi (XXDD)             |  | Diesel           | FWD | 1499 | 70  | 95  | 03.15-06.19                                | ■ |
| 1.5 TDCi ECOnetic (AEDA)    |  | Diesel           | FWD | 1499 | 77  | 105 | 03.15-06.19                                | ■ |
| 1.5 TDCi (XWDA)             |  | Diesel           | FWD | 1499 | 88  | 120 | 03.15-06.19                                | ■ |
| 1.5 TDCi (XWDB)             |  | Diesel           | FWD | 1499 | 88  | 120 | 03.15-06.19                                | ■ |
| 1.5 TDCi (XWDC)             |  | Diesel           | FWD | 1499 | 88  | 120 | 03.15-06.19                                | ■ |
| 1.5 TDCi (XWDD)             |  | Diesel           | FWD | 1499 | 88  | 120 | 03.15-06.19                                | ■ |
| 1.5 TDCi (XWDE)             |  | Diesel           | FWD | 1499 | 88  | 120 | 03.15-06.19                                | ■ |
| 1.6 TDCi (T3DA)             |  | Diesel           | FWD | 1560 | 70  | 95  | 12.10-06.19                                | ■ |
| 1.6 TDCi (T3DB)             |  | Diesel           | FWD | 1560 | 70  | 95  | 12.10-06.19                                | ■ |
| 1.6 TDCi (T1DA)             |  | Diesel           | FWD | 1560 | 85  | 115 | 12.10-06.19                                | ■ |
| 1.6 TDCi (T1DB)             |  | Diesel           | FWD | 1560 | 85  | 115 | 12.10-06.19                                | ■ |
| 2.0 TDCi (TYDA)             |  | Diesel           | FWD | 1997 | 85  | 115 | 02.11-06.19                                | ■ |
| 2.0 TDCi (UKDB)             |  | Diesel           | FWD | 1997 | 100 | 136 | 02.11-06.19                                | ■ |
| 2.0 TDCi (UFDB)             |  | Diesel           | FWD | 1997 | 103 | 140 | 04.10-06.19                                | ■ |
| 2.0 TDCi (T7DB)             |  | Diesel           | FWD | 1997 | 110 | 150 | 03.15-06.19                                | ■ |
| 2.0 TDCi (T7DC)             |  | Diesel           | FWD | 1997 | 110 | 150 | 03.15-06.19                                | ■ |
| 2.0 TDCi (T7DD)             |  | Diesel           | FWD | 1997 | 110 | 150 | 03.15-06.19                                | ■ |
| 2.0 TDCi (TXDB)             |  | Diesel           | FWD | 1997 | 120 | 163 | 12.10-06.19                                | ■ |
| 2.0 TDCi (T8DE)             |  | Diesel           | FWD | 1997 | 125 | 170 | 03.15-06.19                                | ■ |
| <b>FOCUS II 10.06-09.10</b> |  |                  |     |      |     |     | <b>Convertible (Compact car-C Segment)</b> |   |
| 1.6 (HWDA)                  |  | Gasolina         | FWD | 1596 | 74  | 100 | 10.06-09.10                                | ■ |
| 1.6 (HWDB)                  |  | Gasolina         | FWD | 1596 | 74  | 100 | 10.06-09.10                                | ■ |
| 1.6 (SHDA)                  |  | Gasolina         | FWD | 1596 | 74  | 100 | 10.06-09.10                                | ■ |
| 1.6 (SHDB)                  |  | Gasolina         | FWD | 1596 | 74  | 100 | 10.06-09.10                                | ■ |
| 1.6 (SHDC)                  |  | Gasolina         | FWD | 1596 | 74  | 100 | 10.06-09.10                                | ■ |

# LISTA DE APLICACIONES - BUYERS GUIDE

|  |        |                  |     |      |     |     |  |   |  |
|--|--------|------------------|-----|------|-----|-----|--|---|--|
| 2.0 (AODA)                                 |        | Gasolina         | FWD | 1999 | 107 | 145 | 10.06-09.10                              | ■ |  |
| 2.0 (AODB)                                 |        | Gasolina         | FWD | 1999 | 107 | 145 | 10.06-09.10                              | ■ |  |
| 2.0 (AODE)                                 |        | Gasolina         | FWD | 1999 | 107 | 145 | 10.06-09.10                              | ■ |  |
| 2.0 (SYDA)                                 |        | Gasolina         | FWD | 1999 | 107 | 145 | 10.06-09.10                              | ■ |  |
| 2.0 TDCi (G6DA)                            |        | Diesel           | FWD | 1997 | 100 | 136 | 10.06-09.10                              | ■ |  |
| 2.0 TDCi (G6DB)                            |        | Diesel           | FWD | 1997 | 100 | 136 | 10.06-09.10                              | ■ |  |
| 2.0 TDCi (G6DD)                            |        | Diesel           | FWD | 1997 | 100 | 136 | 10.06-09.10                              | ■ |  |
| 2.0 TDCi (G6DG)                            |        | Diesel           | FWD | 1997 | 100 | 136 | 10.06-09.10                              | ■ |  |
| <b>FOCUS II (DA_, HCP, DP) 07.04-09.13</b> |        |                  |     |      |     |     | <b>Hatchback (Compact car-C Segment)</b> |   |  |
| 1.4 (ASDA)                                 | 01/05- | Gasolina         | FWD | 1388 | 59  | 80  | 07.04-09.12                              | ■ |  |
| 1.4 (ASDB)                                 | 01/05- | Gasolina         | FWD | 1388 | 59  | 80  | 07.04-09.12                              | ■ |  |
| 1.6 (HWDA)                                 | 01/05- | Gasolina         | FWD | 1596 | 74  | 100 | 07.04-09.12                              | ■ |  |
| 1.6 (HWDB)                                 | 01/05- | Gasolina         | FWD | 1596 | 74  | 100 | 07.04-09.12                              | ■ |  |
| 1.6 (SHDA)                                 | 01/05- | Gasolina         | FWD | 1596 | 74  | 100 | 07.04-09.12                              | ■ |  |
| 1.6 (SHDB)                                 | 01/05- | Gasolina         | FWD | 1596 | 74  | 100 | 07.04-09.12                              | ■ |  |
| 1.6 (SHDC)                                 | 01/05- | Gasolina         | FWD | 1596 | 74  | 100 | 07.04-09.12                              | ■ |  |
| 1.6 Ti (HXDA)                              | 01/05- | Gasolina         | FWD | 1596 | 85  | 115 | 07.04-09.12                              | ■ |  |
| 1.6 Ti (HXDB)                              | 01/05- | Gasolina         | FWD | 1596 | 85  | 115 | 07.04-09.12                              | ■ |  |
| 1.6 Ti (SIDA)                              | 01/05- | Gasolina         | FWD | 1596 | 85  | 115 | 07.04-09.12                              | ■ |  |
| 1.8 (Q7DA)                                 | -12/11 | Gasolina         | FWD | 1798 | 92  | 125 | 03.06-09.12                              | ■ |  |
| 1.8 (QQDA)                                 | -12/11 | Gasolina         | FWD | 1798 | 92  | 125 | 03.06-09.12                              | ■ |  |
| 1.8 (QQDB)                                 | -12/11 | Gasolina         | FWD | 1798 | 92  | 125 | 03.06-09.12                              | ■ |  |
| 2.0 (AODA)                                 | 01/05- | Gasolina         | FWD | 1999 | 107 | 145 | 07.04-09.12                              | ■ |  |
| 2.0 (AODB)                                 | 01/05- | Gasolina         | FWD | 1999 | 107 | 145 | 07.04-09.12                              | ■ |  |
| 2.0 (AODE)                                 | 01/05- | Gasolina         | FWD | 1999 | 107 | 145 | 07.04-09.12                              | ■ |  |
| 2.5 ST (HYDA)                              | -12/11 | Gasolina         | FWD | 2522 | 166 | 225 | 10.05-09.12                              | ■ |  |
| 1.6 LPG (SIDA)                             |        | Gasol./Gas (LPG) | FWD | 1596 | 85  | 115 | 10.09-07.11                              | ■ |  |
| 2.0 LPG (SYDA)                             |        | Gasol./Gas (LPG) | FWD | 1999 | 107 | 145 | 06.08-07.11                              | ■ |  |
| 2.0 CNG (SYDA)                             |        | Gasol./Gas (CNG) | FWD | 1999 | 107 | 145 | 04.09-07.11                              | ■ |  |
| 1.8 Flexifuel (Q7DA)                       | -12/11 | Gasol./Etanol    | FWD | 1798 | 92  | 125 | 01.06-09.12                              | ■ |  |
| 1.8 Flexifuel (QQDA)                       | -12/11 | Gasol./Etanol    | FWD | 1798 | 92  | 125 | 01.06-09.12                              | ■ |  |
| 1.8 Flexifuel (QQDB)                       | -12/11 | Gasol./Etanol    | FWD | 1798 | 92  | 125 | 01.06-09.12                              | ■ |  |
| 1.8 Flexifuel (QQDD)                       |        | Gasol./Etanol    | FWD | 1798 | 96  | 131 | 12.05-01.08                              | ■ |  |
| 1.6 TDCi (GPDA)                            | -12/11 | Diesel           | FWD | 1560 | 66  | 90  | 01.05-09.12                              | ■ |  |
| 1.6 TDCi (GPDB)                            | -12/11 | Diesel           | FWD | 1560 | 66  | 90  | 01.05-09.12                              | ■ |  |
| 1.6 TDCi (GPDC)                            | -12/11 | Diesel           | FWD | 1560 | 66  | 90  | 01.05-09.12                              | ■ |  |
| 1.6 TDCi (HHDA)                            | -12/11 | Diesel           | FWD | 1560 | 66  | 90  | 01.05-09.12                              | ■ |  |
| 1.6 TDCi (HHDB)                            | -12/11 | Diesel           | FWD | 1560 | 66  | 90  | 01.05-09.12                              | ■ |  |
| 1.6 TDCi (G8DA)                            | 01/05- | Diesel           | FWD | 1560 | 80  | 109 | 07.04-09.12                              | ■ |  |
| 1.6 TDCi (G8DB)                            | 01/05- | Diesel           | FWD | 1560 | 80  | 109 | 07.04-09.12                              | ■ |  |
| 1.6 TDCi (G8DD)                            | 01/05- | Diesel           | FWD | 1560 | 80  | 109 | 07.04-09.12                              | ■ |  |
| 1.6 TDCi (G8DE)                            | 01/05- | Diesel           | FWD | 1560 | 80  | 109 | 07.04-09.12                              | ■ |  |
| 1.6 TDCi (G8DF)                            | 01/05- | Diesel           | FWD | 1560 | 80  | 109 | 07.04-09.12                              | ■ |  |
| 1.8 TDCi (KKDA)                            | -12/11 | Diesel           | FWD | 1753 | 85  | 115 | 01.05-09.12                              | ■ |  |
| 2.0 TDCi (IXDA)                            |        | Diesel           | FWD | 1997 | 81  | 110 | 02.08-07.11                              | ■ |  |
| 2.0 TDCi (G6DA)                            | 01/05- | Diesel           | FWD | 1997 | 100 | 136 | 07.04-09.12                              | ■ |  |
| 2.0 TDCi (G6DB)                            | 01/05- | Diesel           | FWD | 1997 | 100 | 136 | 07.04-09.12                              | ■ |  |

# LISTA DE APLICACIONES - BUYERS GUIDE

|  |        |               |     |      |                                       |     |             |   |  |
|--|--------|---------------|-----|------|---------------------------------------|-----|-------------|---|--|
| 2.0 TDCi (G6DD)                                    | 01/05- | Diesel        | FWD | 1997 | 100                                   | 136 | 07.04-09.12 | ■ |  |
| 2.0 TDCi (G6DG)                                    | 01/05- | Diesel        | FWD | 1997 | 100                                   | 136 | 07.04-09.12 | ■ |  |
| <b>FOCUS II (DB_, FCH, DH) 04.05-</b>              |        |               |     |      | <b>Saloon (Compact car-C Segment)</b> |     |             |   |  |
| 1.4 (ASDA)   | -12/11 | Gasolina      | FWD | 1388 | 59                                    | 80  | 04.05-09.12 | ■ |  |
| 1.4 (ASDB)   | -12/11 | Gasolina      | FWD | 1388 | 59                                    | 80  | 04.05-09.12 | ■ |  |
| 1.6 (HWDA)   |        | Gasolina      | FWD | 1596 | 74                                    | 100 | 04.05-09.12 | ■ |  |
| 1.6 (HWDB)   |        | Gasolina      | FWD | 1596 | 74                                    | 100 | 04.05-09.12 | ■ |  |
| 1.6 (SHDA)   |        | Gasolina      | FWD | 1596 | 74                                    | 100 | 04.05-09.12 | ■ |  |
| 1.6 (SHDB)   |        | Gasolina      | FWD | 1596 | 74                                    | 100 | 04.05-09.12 | ■ |  |
| 1.6 (SHDC)   |        | Gasolina      | FWD | 1596 | 74                                    | 100 | 04.05-09.12 | ■ |  |
| 1.6 Ti (HXDA)                                      |        | Gasolina      | FWD | 1596 | 85                                    | 115 | 04.05-09.12 | ■ |  |
| 1.6 Ti (HXDB)                                      |        | Gasolina      | FWD | 1596 | 85                                    | 115 | 04.05-09.12 | ■ |  |
| 1.6 Ti (SIDA)                                      |        | Gasolina      | FWD | 1596 | 85                                    | 115 | 04.05-09.12 | ■ |  |
| 1.8 (Q7DA)   |        | Gasolina      | FWD | 1798 | 92                                    | 125 | 03.06-09.12 | ■ |  |
| 1.8 (QQDA)   |        | Gasolina      | FWD | 1798 | 92                                    | 125 | 03.06-09.12 | ■ |  |
| 1.8 (QQDB)   |        | Gasolina      | FWD | 1798 | 92                                    | 125 | 03.06-09.12 | ■ |  |
| 2.0 (AODA)   |        | Gasolina      | FWD | 1999 | 107                                   | 145 | 04.05-07.11 | ■ |  |
| 2.0 (AODB)   |        | Gasolina      | FWD | 1999 | 107                                   | 145 | 04.05-07.11 | ■ |  |
| 2.0 (AODE)   |        | Gasolina      | FWD | 1999 | 107                                   | 145 | 04.05-07.11 | ■ |  |
| 2.0 (SYDA)   |        | Gasolina      | FWD | 1999 | 107                                   | 145 | 04.05-07.11 | ■ |  |
| 1.8 Flexifuel (Q7DA)                               |        | Gasol./Etanol | FWD | 1798 | 92                                    | 125 | 06.06-07.11 | ■ |  |
| 1.8 Flexifuel (QQDA)                               |        | Gasol./Etanol | FWD | 1798 | 92                                    | 125 | 06.06-07.11 | ■ |  |
| 1.8 Flexifuel (QQDB)                               |        | Gasol./Etanol | FWD | 1798 | 92                                    | 125 | 06.06-07.11 | ■ |  |
| 1.8 Flexifuel                                      |        | Gasol./Etanol | FWD | 1798 | 96                                    | 131 | 12.05-01.08 | ■ |  |
| 1.6 TDCi (GPDA)                                    | -12/11 | Diesel        | FWD | 1560 | 66                                    | 90  | 04.05-09.12 | ■ |  |
| 1.6 TDCi (GPDB)                                    | -12/11 | Diesel        | FWD | 1560 | 66                                    | 90  | 04.05-09.12 | ■ |  |
| 1.6 TDCi (GPDC)                                    | -12/11 | Diesel        | FWD | 1560 | 66                                    | 90  | 04.05-09.12 | ■ |  |
| 1.6 TDCi (HHDA)                                    | -12/11 | Diesel        | FWD | 1560 | 66                                    | 90  | 04.05-09.12 | ■ |  |
| 1.6 TDCi (HHDB)                                    | -12/11 | Diesel        | FWD | 1560 | 66                                    | 90  | 04.05-09.12 | ■ |  |
| 1.6 TDCi (G8DA)                                    | -12/11 | Diesel        | FWD | 1560 | 80                                    | 109 | 04.05-09.12 | ■ |  |
| 1.6 TDCi (G8DB)                                    | -12/11 | Diesel        | FWD | 1560 | 80                                    | 109 | 04.05-09.12 | ■ |  |
| 1.6 TDCi (G8DD)                                    | -12/11 | Diesel        | FWD | 1560 | 80                                    | 109 | 04.05-09.12 | ■ |  |
| 1.6 TDCi (G8DE)                                    | -12/11 | Diesel        | FWD | 1560 | 80                                    | 109 | 04.05-09.12 | ■ |  |
| 1.6 TDCi (G8DF)                                    | -12/11 | Diesel        | FWD | 1560 | 80                                    | 109 | 04.05-09.12 | ■ |  |
| 1.8 TDCi (KKDA)                                    | -12/11 | Diesel        | FWD | 1753 | 85                                    | 115 | 04.05-09.12 | ■ |  |
| 2.0 TDCi (IXDA)                                    |        | Diesel        | FWD | 1997 | 81                                    | 110 | 02.08-07.11 | ■ |  |
| 2.0 TDCi (G6DA)                                    | -12/11 | Diesel        | FWD | 1997 | 100                                   | 136 | 04.05-09.12 | ■ |  |
| 2.0 TDCi (G6DB)                                    | -12/11 | Diesel        | FWD | 1997 | 100                                   | 136 | 04.05-09.12 | ■ |  |
| 2.0 TDCi (G6DD)                                    | -12/11 | Diesel        | FWD | 1997 | 100                                   | 136 | 04.05-09.12 | ■ |  |
| 2.0 TDCi (G6DG)                                    | -12/11 | Diesel        | FWD | 1997 | 100                                   | 136 | 04.05-09.12 | ■ |  |
| <b>FOCUS II Turnier (DA_, FFS, DS) 07.04-09.12</b> |        |               |     |      | <b>Estate (Compact car-C Segment)</b> |     |             |   |  |
| 1.4 (ASDA)   | -12/11 | Gasolina      | FWD | 1388 | 59                                    | 80  | 07.04-09.12 | ■ |  |
| 1.4 (ASDB)   | -12/11 | Gasolina      | FWD | 1388 | 59                                    | 80  | 07.04-09.12 | ■ |  |
| 1.6 (HWDA)   |        | Gasolina      | FWD | 1596 | 74                                    | 100 | 07.04-07.11 | ■ |  |
| 1.6 (HWDB)   |        | Gasolina      | FWD | 1596 | 74                                    | 100 | 07.04-07.11 | ■ |  |
| 1.6 (SHDA)   |        | Gasolina      | FWD | 1596 | 74                                    | 100 | 07.04-07.11 | ■ |  |
| 1.6 (SHDB)   |        | Gasolina      | FWD | 1596 | 74                                    | 100 | 07.04-07.11 | ■ |  |
| 1.6 (SHDC)   |        | Gasolina      | FWD | 1596 | 74                                    | 100 | 07.04-07.11 | ■ |  |
| 1.6 Ti (HXDA)                                      |        | Gasolina      | FWD | 1596 | 85                                    | 115 | 07.04-09.12 | ■ |  |

# LISTA DE APLICACIONES - BUYERS GUIDE

|                          |        |                  |     |      |     |     |   |   |
|--------------------------|--------|------------------|-----|------|-----|-----|---|---|
| 1.6 Ti (HXDB)            |        | Gasolina         | FWD | 1596 | 85  | 115 | 07.04-09.12                               | ■ |
| 1.6 Ti (SIDA)            |        | Gasolina         | FWD | 1596 | 85  | 115 | 07.04-09.12                               | ■ |
| 1.8 (Q7DA)               | -12/11 | Gasolina         | FWD | 1798 | 92  | 125 | 03.06-09.12                               | ■ |
| 1.8 (QQDA)               | -12/11 | Gasolina         | FWD | 1798 | 92  | 125 | 03.06-09.12                               | ■ |
| 1.8 (QQDB)               | -12/11 | Gasolina         | FWD | 1798 | 92  | 125 | 03.06-09.12                               | ■ |
| 1.8 Flexifuel            |        | Gasolina         | FWD | 1798 | 97  | 132 | 12.05-01.08                               | ■ |
| 2.0 (AODA)               |        | Gasolina         | FWD | 1999 | 107 | 145 | 07.04-09.12                               | ■ |
| 2.0 (AODB)               |        | Gasolina         | FWD | 1999 | 107 | 145 | 07.04-09.12                               | ■ |
| 2.0 (AODE)               |        | Gasolina         | FWD | 1999 | 107 | 145 | 07.04-09.12                               | ■ |
| 2.0 (SYDA)               |        | Gasolina         | FWD | 1999 | 107 | 145 | 07.04-09.12                               | ■ |
| 1.6 LPG (SIDA)           | -12/11 | Gasol./Gas (LPG) | FWD | 1596 | 85  | 115 | 10.09-09.12                               | ■ |
| 2.0 LPG (SYDA)           | 01/09- | Gasol./Gas (LPG) | FWD | 1999 | 107 | 145 | 06.08-07.11                               | ■ |
| 1.8 Flexifuel (Q7DA)     | -12/11 | Gasol./Etanol    | FWD | 1798 | 92  | 125 | 01.06-09.12                               | ■ |
| 1.8 Flexifuel (QQDA)     | -12/11 | Gasol./Etanol    | FWD | 1798 | 92  | 125 | 01.06-09.12                               | ■ |
| 1.8 Flexifuel (QQDB)     | -12/11 | Gasol./Etanol    | FWD | 1798 | 92  | 125 | 01.06-09.12                               | ■ |
| 1.6 TDCi (GPDA)          | -12/11 | Diesel           | FWD | 1560 | 66  | 90  | 07.04-09.12                               | ■ |
| 1.6 TDCi (GPDB)          | -12/11 | Diesel           | FWD | 1560 | 66  | 90  | 07.04-09.12                               | ■ |
| 1.6 TDCi (GPDC)          | -12/11 | Diesel           | FWD | 1560 | 66  | 90  | 07.04-09.12                               | ■ |
| 1.6 TDCi (HHDA)          | -12/11 | Diesel           | FWD | 1560 | 66  | 90  | 07.04-09.12                               | ■ |
| 1.6 TDCi (HHDB)          | -12/11 | Diesel           | FWD | 1560 | 66  | 90  | 07.04-09.12                               | ■ |
| 1.6 TDCi (G8DA)          | -12/11 | Diesel           | FWD | 1560 | 80  | 109 | 07.04-09.12                               | ■ |
| 1.6 TDCi (G8DB)          | -12/11 | Diesel           | FWD | 1560 | 80  | 109 | 07.04-09.12                               | ■ |
| 1.6 TDCi (G8DD)          | -12/11 | Diesel           | FWD | 1560 | 80  | 109 | 07.04-09.12                               | ■ |
| 1.6 TDCi (G8DE)          | -12/11 | Diesel           | FWD | 1560 | 80  | 109 | 07.04-09.12                               | ■ |
| 1.6 TDCi (G8DF)          | -12/11 | Diesel           | FWD | 1560 | 80  | 109 | 07.04-09.12                               | ■ |
| 1.8 TDCi (KKDA)          |        | Diesel           | FWD | 1753 | 85  | 115 | 07.04-09.12                               | ■ |
| 2.0 TDCi (IXDA)          |        | Diesel           | FWD | 1997 | 81  | 110 | 02.08-07.11                               | ■ |
| 2.0 TDCi (G6DA)          | -12/11 | Diesel           | FWD | 1997 | 100 | 136 | 07.04-09.12                               | ■ |
| 2.0 TDCi (G6DB)          | -12/11 | Diesel           | FWD | 1997 | 100 | 136 | 07.04-09.12                               | ■ |
| 2.0 TDCi (G6DD)          | -12/11 | Diesel           | FWD | 1997 | 100 | 136 | 07.04-09.12                               | ■ |
| 2.0 TDCi (G6DG)          | -12/11 | Diesel           | FWD | 1997 | 100 | 136 | 07.04-09.12                               | ■ |
| <b>FOCUS III 02.12-</b>  |        |                  |     |      |     |     | <b>Estate Van (Compact car-C Segment)</b> |   |
| 1.0 EcoBoost (M2DA)      |        | Gasolina         | FWD | 998  | 74  | 100 | 02.12-02.20                               | ■ |
| 1.0 EcoBoost (M2DB)      |        | Gasolina         | FWD | 998  | 74  | 100 | 02.12-02.20                               | ■ |
| 1.0 EcoBoost (M2DC)      |        | Gasolina         | FWD | 998  | 74  | 100 | 02.12-02.20                               | ■ |
| 1.0 EcoBoost (SFDA)      |        | Gasolina         | FWD | 998  | 74  | 100 | 02.12-02.20                               | ■ |
| 1.0 EcoBoost (SFDB)      |        | Gasolina         | FWD | 998  | 74  | 100 | 02.12-02.20                               | ■ |
| 1.0 EcoBoost (M1DA)      |        | Gasolina         | FWD | 998  | 92  | 125 | 02.12-02.20                               | ■ |
| 1.0 EcoBoost (M1DC)      |        | Gasolina         | FWD | 998  | 92  | 125 | 02.12-02.20                               | ■ |
| 1.0 EcoBoost (M1DD)      |        | Gasolina         | FWD | 998  | 92  | 125 | 02.12-02.20                               | ■ |
| 1.5 EcoBoost (M8DA)      |        | Gasolina         | FWD | 1498 | 110 | 150 | 09.14-02.20                               | ■ |
| 1.5 EcoBoost (M8DB)      |        | Gasolina         | FWD | 1498 | 110 | 150 | 09.14-02.20                               | ■ |
| 1.5 EcoBoost (M8DD)      |        | Gasolina         | FWD | 1498 | 110 | 150 | 09.14-02.20                               | ■ |
| 1.5 EcoBoost (M8DE)      |        | Gasolina         | FWD | 1498 | 110 | 150 | 09.14-02.20                               | ■ |
| 1.5 EcoBoost (M9DA)      |        | Gasolina         | FWD | 1498 | 134 | 182 | 09.14-02.20                               | ■ |
| 1.5 EcoBoost (M9DB)      |        | Gasolina         | FWD | 1498 | 134 | 182 | 09.14-02.20                               | ■ |
| 1.5 TDCi (XXDA)          |        | Diesel           | FWD | 1499 | 70  | 95  | 09.14-02.20                               | ■ |
| 1.5 TDCi (XXDC)          |        | Diesel           | FWD | 1499 | 70  | 95  | 09.14-02.20                               | ■ |
| 1.5 TDCi ECOnetic (XXDB) |        | Diesel           | FWD | 1499 | 77  | 105 | 09.14-02.20                               | ■ |

# LISTA DE APLICACIONES - BUYERS GUIDE

|                                |                     |          |     |      |     |     |  |   |  |
|--------------------------------|---------------------|----------|-----|------|-----|-----|--|---|--|
| 1.5 TDCi (XWDA)                |                     | Diesel   | FWD | 1499 | 88  | 120 | 09.14-02.20                                  | ■ |  |
| 1.5 TDCi (XWDB)                |                     | Diesel   | FWD | 1499 | 88  | 120 | 09.14-02.20                                  | ■ |  |
| 1.5 TDCi (XWDC)                |                     | Diesel   | FWD | 1499 | 88  | 120 | 09.14-02.20                                  | ■ |  |
| 1.5 TDCi (XWDD)                |                     | Diesel   | FWD | 1499 | 88  | 120 | 09.14-02.20                                  | ■ |  |
| 2.0 TDCi (T7DA)                |                     | Diesel   | FWD | 1997 | 110 | 150 | 11.14-02.20                                  | ■ |  |
| 2.0 TDCi (T7DB)                |                     | Diesel   | FWD | 1997 | 110 | 150 | 11.14-02.20                                  | ■ |  |
| <b>FOCUS III (C346) 01.11-</b> |                     |          |     |      |     |     | <b>Hatchback Van (Compact car-C Segment)</b> |   |  |
| 1.0 EcoBoost (M2DA)            |                     | Gasolina | FWD | 998  | 74  | 100 | 02.12-12.17                                  | ■ |  |
| 1.0 EcoBoost (M2DB)            |                     | Gasolina | FWD | 998  | 74  | 100 | 02.12-12.17                                  | ■ |  |
| 1.0 EcoBoost (M2DC)            |                     | Gasolina | FWD | 998  | 74  | 100 | 02.12-12.17                                  | ■ |  |
| 1.0 EcoBoost (SFDA)            |                     | Gasolina | FWD | 998  | 74  | 100 | 02.12-12.17                                  | ■ |  |
| 1.0 EcoBoost (SFDB)            |                     | Gasolina | FWD | 998  | 74  | 100 | 02.12-12.17                                  | ■ |  |
| 1.0 EcoBoost (M1DA)            |                     | Gasolina | FWD | 998  | 92  | 125 | 02.12-12.17                                  | ■ |  |
| 1.0 EcoBoost (M1DC)            |                     | Gasolina | FWD | 998  | 92  | 125 | 02.12-12.17                                  | ■ |  |
| 1.0 EcoBoost (M1DD)            |                     | Gasolina | FWD | 998  | 92  | 125 | 02.12-12.17                                  | ■ |  |
| 1.5 EcoBoost (M8DA)            |                     | Gasolina | FWD | 1498 | 110 | 150 | 09.14-12.17                                  | ■ |  |
| 1.5 EcoBoost (M8DB)            |                     | Gasolina | FWD | 1498 | 110 | 150 | 09.14-12.17                                  | ■ |  |
| 1.5 EcoBoost (M9DA)            |                     | Gasolina | FWD | 1498 | 134 | 182 | 09.14-12.17                                  | ■ |  |
| 1.5 EcoBoost (M9DB)            |                     | Gasolina | FWD | 1498 | 134 | 182 | 09.14-12.17                                  | ■ |  |
| 1.6 Ti (IQDA)                  |                     | Gasolina | FWD | 1596 | 77  | 105 | 01.11-02.20                                  | ■ |  |
| 1.6 Ti (IQDB)                  |                     | Gasolina | FWD | 1596 | 77  | 105 | 01.11-02.20                                  | ■ |  |
| 1.6 EcoBoost (JQDA)            |                     | Gasolina | FWD | 1596 | 110 | 150 | 11.11-06.14                                  | ■ |  |
| 1.6 EcoBoost (JQDB)            |                     | Gasolina | FWD | 1596 | 110 | 150 | 11.11-06.14                                  | ■ |  |
| 1.6 EcoBoost (YUDA)            |                     | Gasolina | FWD | 1596 | 110 | 150 | 11.11-06.14                                  | ■ |  |
| 1.6 EcoBoost (JTDA)            |                     | Gasolina | FWD | 1596 | 134 | 182 | 11.11-06.14                                  | ■ |  |
| 1.6 EcoBoost (JTDB)            |                     | Gasolina | FWD | 1596 | 134 | 182 | 11.11-06.14                                  | ■ |  |
| 1.5 TDCi (XXDA)                |                     | Diesel   | FWD | 1499 | 70  | 95  | 09.14-12.17                                  | ■ |  |
| 1.5 TDCi (XXDC)                |                     | Diesel   | FWD | 1499 | 70  | 95  | 09.14-12.17                                  | ■ |  |
| 1.5 TDCi (XXDD)                |                     | Diesel   | FWD | 1499 | 70  | 95  | 09.14-12.17                                  | ■ |  |
| 1.5 TDCi ECOnetic (AEDA)       |                     | Diesel   | FWD | 1499 | 77  | 105 | 09.14-12.17                                  | ■ |  |
| 1.5 TDCi ECOnetic (XXDB)       |                     | Diesel   | FWD | 1499 | 77  | 105 | 09.14-12.17                                  | ■ |  |
| 1.5 TDCi (XWDA)                |                     | Diesel   | FWD | 1499 | 88  | 120 | 09.14-12.17                                  | ■ |  |
| 1.5 TDCi (XWDB)                |                     | Diesel   | FWD | 1499 | 88  | 120 | 09.14-12.17                                  | ■ |  |
| 1.5 TDCi (XWDC)                |                     | Diesel   | FWD | 1499 | 88  | 120 | 09.14-12.17                                  | ■ |  |
| 1.5 TDCi (XWDD)                |                     | Diesel   | FWD | 1499 | 88  | 120 | 09.14-12.17                                  | ■ |  |
| 1.5 TDCi (XWDE)                |                     | Diesel   | FWD | 1499 | 88  | 120 | 09.14-12.17                                  | ■ |  |
| 1.6 TDCi (T3DA)                |                     | Diesel   | FWD | 1560 | 70  | 95  | 01.11-12.17                                  | ■ |  |
| 1.6 TDCi (T3DB)                |                     | Diesel   | FWD | 1560 | 70  | 95  | 01.11-12.17                                  | ■ |  |
| 1.6 TDCi (T1DA)                |                     | Diesel   | FWD | 1560 | 85  | 115 | 02.12-12.17                                  | ■ |  |
| 1.6 TDCi (T1DB)                |                     | Diesel   | FWD | 1560 | 85  | 115 | 02.12-12.17                                  | ■ |  |
| 2.0 TDCi (TYDA)                |                     | Diesel   | FWD | 1997 | 85  | 115 | 01.11-06.14                                  | ■ |  |
| 2.0 TDCi (UFDB)                |                     | Diesel   | FWD | 1997 | 103 | 140 | 01.11-06.14                                  | ■ |  |
| 2.0 TDCi (T7DA)                |                     | Diesel   | FWD | 1997 | 110 | 150 | 11.14-12.17                                  | ■ |  |
| 2.0 TDCi (T7DB)                |                     | Diesel   | FWD | 1997 | 110 | 150 | 11.14-12.17                                  | ■ |  |
| 2.0 TDCi (TXDB)                |                     | Diesel   | FWD | 1997 | 120 | 163 | 01.11-06.14                                  | ■ |  |
| <b>FOCUS III (C346) 07.10-</b> |                     |          |     |      |     |     | <b>Hatchback (Compact car-C Segment)</b>     |   |  |
| 1.0 EcoBoost (M2DA)            | disc brak.rear axle | Gasolina | FWD | 998  | 74  | 100 | 02.12-12.17                                  | ■ |  |
| 1.0 EcoBoost (M2DB)            | disc brak.rear axle | Gasolina | FWD | 998  | 74  | 100 | 02.12-12.17                                  | ■ |  |
| 1.0 EcoBoost (M2DC)            | disc brak.rear axle | Gasolina | FWD | 998  | 74  | 100 | 02.12-12.17                                  | ■ |  |
| 1.0 EcoBoost (SFDA)            | disc brak.rear axle | Gasolina | FWD | 998  | 74  | 100 | 02.12-12.17                                  | ■ |  |

# LISTA DE APLICACIONES - BUYERS GUIDE

|                          |                     |                  |     |      |     |     |             |   |
|--------------------------|---------------------|------------------|-----|------|-----|-----|-------------|---|
| 1.0 EcoBoost (SFDB)      | disc brak.rear axle | Gasolina         | FWD | 998  | 74  | 100 | 02.12-12.17 | ■ |
| 1.0 EcoBoost (M1DA)      | disc brak.rear axle | Gasolina         | FWD | 998  | 92  | 125 | 02.12-12.17 | ■ |
| 1.0 EcoBoost (M1DC)      | disc brak.rear axle | Gasolina         | FWD | 998  | 92  | 125 | 02.12-12.17 | ■ |
| 1.0 EcoBoost (M1DD)      | disc brak.rear axle | Gasolina         | FWD | 998  | 92  | 125 | 02.12-12.17 | ■ |
| 1.0 EcoBoost (M1DH)      |                     | Gasolina         | FWD | 998  | 103 | 140 | 10.17-02.20 | ■ |
| 1.5 EcoBoost (M8DA)      |                     | Gasolina         | FWD | 1498 | 110 | 150 | 09.14-12.17 | ■ |
| 1.5 EcoBoost (M8DB)      |                     | Gasolina         | FWD | 1498 | 110 | 150 | 09.14-12.17 | ■ |
| 1.5 EcoBoost (M9DA)      |                     | Gasolina         | FWD | 1498 | 134 | 182 | 09.14-12.17 | ■ |
| 1.5 EcoBoost (M9DB)      |                     | Gasolina         | FWD | 1498 | 134 | 182 | 09.14-12.17 | ■ |
| 1.6 Ti (XTDA)            | disc brak.rear axle | Gasolina         | FWD | 1596 | 63  | 85  | 08.11-12.17 | ■ |
| 1.6 Ti (XTDB)            | disc brak.rear axle | Gasolina         | FWD | 1596 | 63  | 85  | 08.11-12.17 | ■ |
| 1.6 Ti (IQDA)            | disc brak.rear axle | Gasolina         | FWD | 1596 | 77  | 105 | 07.10-02.20 | ■ |
| 1.6 Ti (IQDB)            | disc brak.rear axle | Gasolina         | FWD | 1596 | 77  | 105 | 07.10-02.20 | ■ |
| 1.6 Ti (IQDC)            | disc brak.rear axle | Gasolina         | FWD | 1596 | 77  | 105 | 07.10-02.20 | ■ |
| 1.6 Ti (MUDA)            |                     | Gasolina         | FWD | 1596 | 88  | 120 | 02.12-12.17 | ■ |
| 1.6 Ti (MUDD)            |                     | Gasolina         | FWD | 1596 | 88  | 120 | 02.12-12.17 | ■ |
| 1.6 Ti (PNDA)            | disc brak.rear axle | Gasolina         | FWD | 1596 | 92  | 125 | 07.10-12.17 | ■ |
| 1.6 Ti (PNDD)            | disc brak.rear axle | Gasolina         | FWD | 1596 | 92  | 125 | 07.10-12.17 | ■ |
| 1.6 EcoBoost (JQDA)      |                     | Gasolina         | FWD | 1596 | 110 | 150 | 07.10-06.14 | ■ |
| 1.6 EcoBoost (JQDB)      |                     | Gasolina         | FWD | 1596 | 110 | 150 | 07.10-06.14 | ■ |
| 1.6 EcoBoost (YUDA)      |                     | Gasolina         | FWD | 1596 | 110 | 150 | 07.10-06.14 | ■ |
| 1.6 EcoBoost (JTDA)      |                     | Gasolina         | FWD | 1596 | 134 | 182 | 07.10-06.14 | ■ |
| 1.6 EcoBoost (JTDB)      |                     | Gasolina         | FWD | 1596 | 134 | 182 | 07.10-06.14 | ■ |
| 2.0 ST                   |                     | Gasolina         | FWD | 1997 | 186 | 253 | 09.13-      | ■ |
| 2.0 (XQDA)               |                     | Gasolina         | FWD | 1999 | 110 | 150 | 10.13-12.17 | ■ |
| 2.0 Ti-GDi (MGDA)        |                     | Gasolina         | FWD | 1999 | 125 | 170 | 08.11-02.20 | ■ |
| 2.0 ST (R9DA)            |                     | Gasolina         | FWD | 1999 | 184 | 250 | 07.12-12.17 | ■ |
| 2.0 ST (R9DB)            |                     | Gasolina         | FWD | 1999 | 184 | 250 | 07.12-12.17 | ■ |
| 2.0 ST (R9DC)            |                     | Gasolina         | FWD | 1999 | 184 | 250 | 07.12-12.17 | ■ |
| 2.0 ST (R9DD)            |                     | Gasolina         | FWD | 1999 | 184 | 250 | 07.12-12.17 | ■ |
| 1.6 LPG (MUDA)           |                     | Gasol./Gas (LPG) | FWD | 1596 | 86  | 117 | 02.12-02.20 | ■ |
| 1.6 LPG (MUDA)           | disc brak.rear axle | Gasol./Gas (LPG) | FWD | 1596 | 88  | 120 | 02.12-02.20 | ■ |
| 1.6 LPG (MUDD)           | disc brak.rear axle | Gasol./Gas (LPG) | FWD | 1596 | 88  | 120 | 02.12-02.20 | ■ |
| 1.6 Flexifuel (MUDA)     | disc brak.rear axle | Gasol./Etanol    | FWD | 1596 | 88  | 120 | 07.10-02.20 | ■ |
| 1.6 Flexifuel (MUDD)     | disc brak.rear axle | Gasol./Etanol    | FWD | 1596 | 88  | 120 | 07.10-02.20 | ■ |
| 1.6 Flexifuel (YUDA)     |                     | Gasol./Etanol    | FWD | 1596 | 110 | 150 | 07.13-02.20 | ■ |
| Electric (KDDA)          |                     | Eléctrico        | FWD |      | 107 | 145 | 07.13-12.17 | ■ |
| 1.5 TDCi (XXDA)          |                     | Diesel           | FWD | 1499 | 70  | 95  | 09.14-04.18 | ■ |
| 1.5 TDCi (XXDC)          |                     | Diesel           | FWD | 1499 | 70  | 95  | 09.14-04.18 | ■ |
| 1.5 TDCi (XXDD)          |                     | Diesel           | FWD | 1499 | 70  | 95  | 09.14-04.18 | ■ |
| 1.5 TDCi ECOnetic (AEDA) |                     | Diesel           | FWD | 1499 | 77  | 105 | 09.14-12.17 | ■ |
| 1.5 TDCi ECOnetic (XXDB) |                     | Diesel           | FWD | 1499 | 77  | 105 | 09.14-12.17 | ■ |
| 1.5 TDCi (XWDA)          |                     | Diesel           | FWD | 1499 | 88  | 120 | 09.14-04.18 | ■ |
| 1.5 TDCi (XWDB)          |                     | Diesel           | FWD | 1499 | 88  | 120 | 09.14-04.18 | ■ |
| 1.5 TDCi (XWDC)          |                     | Diesel           | FWD | 1499 | 88  | 120 | 09.14-04.18 | ■ |
| 1.5 TDCi (XWDD)          |                     | Diesel           | FWD | 1499 | 88  | 120 | 09.14-04.18 | ■ |
| 1.5 TDCi (XWDE)          |                     | Diesel           | FWD | 1499 | 88  | 120 | 09.14-04.18 | ■ |
| 1.6 TDCi (T3DA)          | disc brak.rear axle | Diesel           | FWD | 1560 | 70  | 95  | 07.10-12.17 | ■ |
| 1.6 TDCi (T3DB)          | disc brak.rear axle | Diesel           | FWD | 1560 | 70  | 95  | 07.10-12.17 | ■ |

# LISTA DE APLICACIONES - BUYERS GUIDE

|                                |                     |               |     |      |     |                                       |             |   |
|--------------------------------|---------------------|---------------|-----|------|-----|---------------------------------------|-------------|---|
| 1.6 TDCi EConetic (NGDA)       |                     | Diesel        | FWD | 1560 | 77  | 105                                   | 05.12-07.15 | ■ |
| 1.6 TDCi EConetic (NGDB)       |                     | Diesel        | FWD | 1560 | 77  | 105                                   | 05.12-07.15 | ■ |
| 1.6 TDCi (T1DA)                | disc brak.rear axle | Diesel        | FWD | 1560 | 85  | 115                                   | 07.10-12.17 | ■ |
| 1.6 TDCi (T1DB)                | disc brak.rear axle | Diesel        | FWD | 1560 | 85  | 115                                   | 07.10-12.17 | ■ |
| 2.0 TDCi (TYDA)                | disc brak.rear axle | Diesel        | FWD | 1997 | 85  | 115                                   | 07.10-06.14 | ■ |
| 2.0 TDCi (UKDB)                |                     | Diesel        | FWD | 1997 | 100 | 136                                   | 07.10-06.14 | ■ |
| 2.0 TDCi (UFDB)                | disc brak.rear axle | Diesel        | FWD | 1997 | 103 | 140                                   | 07.10-06.14 | ■ |
| 2.0 TDCi (T7DA)                |                     | Diesel        | FWD | 1997 | 110 | 150                                   | 11.14-12.17 | ■ |
| 2.0 TDCi (T7DB)                |                     | Diesel        | FWD | 1997 | 110 | 150                                   | 11.14-12.17 | ■ |
| 2.0 TDCi (TXDB)                | disc brak.rear axle | Diesel        | FWD | 1997 | 120 | 163                                   | 07.10-06.14 | ■ |
| 2.0 TDCi ST (T8DA)             |                     | Diesel        | FWD | 1997 | 136 | 185                                   | 11.14-12.17 | ■ |
| <b>FOCUS III (C346) 07.10-</b> |                     |               |     |      |     | <b>Saloon (Compact car-C Segment)</b> |             |   |
| 1.0 EcoBoost (M2DA)            | disc brak.rear axle | Gasolina      | FWD | 998  | 74  | 100                                   | 02.12-02.20 | ■ |
| 1.0 EcoBoost (M2DB)            | disc brak.rear axle | Gasolina      | FWD | 998  | 74  | 100                                   | 02.12-02.20 | ■ |
| 1.0 EcoBoost (M2DC)            | disc brak.rear axle | Gasolina      | FWD | 998  | 74  | 100                                   | 02.12-02.20 | ■ |
| 1.0 EcoBoost (SFDA)            | disc brak.rear axle | Gasolina      | FWD | 998  | 74  | 100                                   | 02.12-02.20 | ■ |
| 1.0 EcoBoost (SFDB)            | disc brak.rear axle | Gasolina      | FWD | 998  | 74  | 100                                   | 02.12-02.20 | ■ |
| 1.0 EcoBoost (M1DA)            | disc brak.rear axle | Gasolina      | FWD | 998  | 92  | 125                                   | 02.12-02.20 | ■ |
| 1.0 EcoBoost (M1DC)            | disc brak.rear axle | Gasolina      | FWD | 998  | 92  | 125                                   | 02.12-02.20 | ■ |
| 1.0 EcoBoost (M1DD)            | disc brak.rear axle | Gasolina      | FWD | 998  | 92  | 125                                   | 02.12-02.20 | ■ |
| 1.0 EcoBoost (M1DH)            |                     | Gasolina      | FWD | 998  | 103 | 140                                   | 10.17-02.20 | ■ |
| 1.5 EcoBoost (M8DA)            |                     | Gasolina      | FWD | 1498 | 110 | 150                                   | 11.14-02.20 | ■ |
| 1.5 EcoBoost (M8DB)            |                     | Gasolina      | FWD | 1498 | 110 | 150                                   | 11.14-02.20 | ■ |
| 1.5 EcoBoost (M9DA)            |                     | Gasolina      | FWD | 1498 | 134 | 182                                   | 11.14-02.20 | ■ |
| 1.5 EcoBoost (M9DB)            |                     | Gasolina      | FWD | 1498 | 134 | 182                                   | 11.14-02.20 | ■ |
| 1.6 Ti (XTDA)                  | disc brak.rear axle | Gasolina      | FWD | 1596 | 63  | 85                                    | 08.11-02.20 | ■ |
| 1.6 Ti (XTDB)                  | disc brak.rear axle | Gasolina      | FWD | 1596 | 63  | 85                                    | 08.11-02.20 | ■ |
| 1.6 Ti (IQDA)                  | disc brak.rear axle | Gasolina      | FWD | 1596 | 77  | 105                                   | 07.10-02.20 | ■ |
| 1.6 Ti (IQDB)                  | disc brak.rear axle | Gasolina      | FWD | 1596 | 77  | 105                                   | 07.10-02.20 | ■ |
| 1.6 Ti (IQDC)                  | disc brak.rear axle | Gasolina      | FWD | 1596 | 77  | 105                                   | 07.10-02.20 | ■ |
| 1.6 Ti (PNDA)                  | disc brak.rear axle | Gasolina      | FWD | 1596 | 92  | 125                                   | 07.10-02.20 | ■ |
| 1.6 Ti (PNDD)                  | disc brak.rear axle | Gasolina      | FWD | 1596 | 92  | 125                                   | 07.10-02.20 | ■ |
| 1.6 Flex                       |                     | Gasolina      | FWD | 1596 | 99  | 135                                   | 01.14-      | ■ |
| 1.6 EcoBoost (JQDA)            |                     | Gasolina      | FWD | 1596 | 110 | 150                                   | 07.10-06.14 | ■ |
| 1.6 EcoBoost (JQDB)            |                     | Gasolina      | FWD | 1596 | 110 | 150                                   | 07.10-06.14 | ■ |
| 1.6 EcoBoost (YUDA)            |                     | Gasolina      | FWD | 1596 | 110 | 150                                   | 07.10-06.14 | ■ |
| 1.6 EcoBoost (JTDA)            |                     | Gasolina      | FWD | 1596 | 134 | 182                                   | 07.10-06.14 | ■ |
| 1.6 EcoBoost (JTDB)            |                     | Gasolina      | FWD | 1596 | 134 | 182                                   | 07.10-06.14 | ■ |
| 2.0 (XQDA)                     |                     | Gasolina      | FWD | 1999 | 110 | 150                                   | 10.13-02.20 | ■ |
| 2.0                            |                     | Gasolina      | FWD | 1999 | 119 | 162                                   | 08.11-02.20 | ■ |
| 2.0 Flex                       |                     | Gasolina      | FWD | 1999 | 119 | 162                                   | 09.12-      | ■ |
| 2.0 GDI (MGDA)                 |                     | Gasolina      | FWD | 1999 | 125 | 170                                   | 08.11-02.20 | ■ |
| 1.6 Flexifuel (MUDA)           | disc brak.rear axle | Gasol./Etanol | FWD | 1596 | 88  | 120                                   | 07.10-02.20 | ■ |
| 1.6 Flexifuel (MUDD)           | disc brak.rear axle | Gasol./Etanol | FWD | 1596 | 88  | 120                                   | 07.10-02.20 | ■ |
| 1.6 Flexifuel (YUDA)           |                     | Gasol./Etanol | FWD | 1596 | 110 | 150                                   | 07.13-02.20 | ■ |
| 1.5 TDCi (XXDA)                |                     | Diesel        | FWD | 1499 | 70  | 95                                    | 11.14-02.20 | ■ |
| 1.5 TDCi (XXDC)                |                     | Diesel        | FWD | 1499 | 70  | 95                                    | 11.14-02.20 | ■ |
| 1.5 TDCi (XXDD)                |                     | Diesel        | FWD | 1499 | 70  | 95                                    | 11.14-02.20 | ■ |
| 1.5 TDCi EConetic (AEDA)       |                     | Diesel        | FWD | 1499 | 77  | 105                                   | 11.14-02.20 | ■ |
| 1.5 TDCi EConetic (XXDB)       |                     | Diesel        | FWD | 1499 | 77  | 105                                   | 11.14-02.20 | ■ |

# LISTA DE APLICACIONES - BUYERS GUIDE

|  |                     |                  |     |      |     |     |                                       |   |  |
|--|---------------------|------------------|-----|------|-----|-----|---------------------------------------|---|--|
| 1.5 TDCi (XWDA)                        |                     | Diesel           | FWD | 1499 | 88  | 120 | 11.14-02.20                           | ■ |  |
| 1.5 TDCi (XWDB)                        |                     | Diesel           | FWD | 1499 | 88  | 120 | 11.14-02.20                           | ■ |  |
| 1.5 TDCi (XWDC)                        |                     | Diesel           | FWD | 1499 | 88  | 120 | 11.14-02.20                           | ■ |  |
| 1.5 TDCi (XWDD)                        |                     | Diesel           | FWD | 1499 | 88  | 120 | 11.14-02.20                           | ■ |  |
| 1.5 TDCi (XWDE)                        |                     | Diesel           | FWD | 1499 | 88  | 120 | 11.14-02.20                           | ■ |  |
| 1.6 TDCi (T3DA)                        | disc brak.rear axle | Diesel           | FWD | 1560 | 70  | 95  | 07.10-02.20                           | ■ |  |
| 1.6 TDCi (T3DB)                        | disc brak.rear axle | Diesel           | FWD | 1560 | 70  | 95  | 07.10-02.20                           | ■ |  |
| 1.6 TDCi (NGDA)                        |                     | Diesel           | FWD | 1560 | 77  | 105 | 05.12-07.15                           | ■ |  |
| 1.6 TDCi (NGDB)                        |                     | Diesel           | FWD | 1560 | 77  | 105 | 05.12-07.15                           | ■ |  |
| 1.6 TDCi (T1DA)                        | disc brak.rear axle | Diesel           | FWD | 1560 | 85  | 115 | 07.10-02.20                           | ■ |  |
| 1.6 TDCi (T1DB)                        | disc brak.rear axle | Diesel           | FWD | 1560 | 85  | 115 | 07.10-02.20                           | ■ |  |
| 2.0 TDCi (TYDA)                        | disc brak.rear axle | Diesel           | FWD | 1997 | 85  | 115 | 07.10-06.14                           | ■ |  |
| 2.0 TDCi (UKDB)                        |                     | Diesel           | FWD | 1997 | 100 | 136 | 07.10-06.14                           | ■ |  |
| 2.0 TDCi (UFDB)                        | disc brak.rear axle | Diesel           | FWD | 1997 | 103 | 140 | 07.10-06.14                           | ■ |  |
| 2.0 TDCi (T7DA)                        |                     | Diesel           | FWD | 1997 | 110 | 150 | 11.14-02.20                           | ■ |  |
| 2.0 TDCi (T7DB)                        |                     | Diesel           | FWD | 1997 | 110 | 150 | 11.14-02.20                           | ■ |  |
| 2.0 TDCi (TXDB)                        | disc brak.rear axle | Diesel           | FWD | 1997 | 120 | 163 | 07.10-06.14                           | ■ |  |
| <b>FOCUS III Turnier (C346) 07.10-</b> |                     |                  |     |      |     |     | <b>Estate (Compact car-C Segment)</b> |   |  |
| 1.0 EcoBoost (M2DA)                    | disc brak.rear axle | Gasolina         | FWD | 998  | 74  | 100 | 02.12-02.20                           | ■ |  |
| 1.0 EcoBoost (M2DB)                    | disc brak.rear axle | Gasolina         | FWD | 998  | 74  | 100 | 02.12-02.20                           | ■ |  |
| 1.0 EcoBoost (M2DC)                    | disc brak.rear axle | Gasolina         | FWD | 998  | 74  | 100 | 02.12-02.20                           | ■ |  |
| 1.0 EcoBoost (SFDA)                    | disc brak.rear axle | Gasolina         | FWD | 998  | 74  | 100 | 02.12-02.20                           | ■ |  |
| 1.0 EcoBoost (SFDB)                    | disc brak.rear axle | Gasolina         | FWD | 998  | 74  | 100 | 02.12-02.20                           | ■ |  |
| 1.0 EcoBoost (M1DA)                    | disc brak.rear axle | Gasolina         | FWD | 998  | 92  | 125 | 02.12-02.20                           | ■ |  |
| 1.0 EcoBoost (M1DC)                    | disc brak.rear axle | Gasolina         | FWD | 998  | 92  | 125 | 02.12-02.20                           | ■ |  |
| 1.0 EcoBoost (M1DD)                    | disc brak.rear axle | Gasolina         | FWD | 998  | 92  | 125 | 02.12-02.20                           | ■ |  |
| 1.0 EcoBoost (M1DH)                    |                     | Gasolina         | FWD | 998  | 103 | 140 | 10.17-02.20                           | ■ |  |
| 1.5 EcoBoost (M8DA)                    |                     | Gasolina         | FWD | 1498 | 110 | 150 | 09.14-02.20                           | ■ |  |
| 1.5 EcoBoost (M8DB)                    |                     | Gasolina         | FWD | 1498 | 110 | 150 | 09.14-02.20                           | ■ |  |
| 1.5 EcoBoost (M9DA)                    |                     | Gasolina         | FWD | 1498 | 134 | 182 | 09.14-02.20                           | ■ |  |
| 1.5 EcoBoost (M9DB)                    |                     | Gasolina         | FWD | 1498 | 134 | 182 | 09.14-02.20                           | ■ |  |
| 1.6 Ti (XTDA)                          | disc brak.rear axle | Gasolina         | FWD | 1596 | 63  | 85  | 08.11-02.20                           | ■ |  |
| 1.6 Ti (XTDB)                          | disc brak.rear axle | Gasolina         | FWD | 1596 | 63  | 85  | 08.11-02.20                           | ■ |  |
| 1.6 Ti (IQDB)                          | disc brak.rear axle | Gasolina         | FWD | 1596 | 77  | 105 | 07.10-02.20                           | ■ |  |
| 1.6 Ti (MUDA)                          |                     | Gasolina         | FWD | 1596 | 88  | 120 | 02.12-02.20                           | ■ |  |
| 1.6 Ti (MUDD)                          |                     | Gasolina         | FWD | 1596 | 88  | 120 | 02.12-02.20                           | ■ |  |
| 1.6 Ti (PNDA)                          | disc brak.rear axle | Gasolina         | FWD | 1596 | 92  | 125 | 07.10-02.20                           | ■ |  |
| 1.6 Ti (PNDD)                          | disc brak.rear axle | Gasolina         | FWD | 1596 | 92  | 125 | 07.10-02.20                           | ■ |  |
| 1.6 EcoBoost (JQDA)                    |                     | Gasolina         | FWD | 1596 | 110 | 150 | 07.10-06.14                           | ■ |  |
| 1.6 EcoBoost (JQDB)                    |                     | Gasolina         | FWD | 1596 | 110 | 150 | 07.10-06.14                           | ■ |  |
| 1.6 EcoBoost (YUDA)                    |                     | Gasolina         | FWD | 1596 | 110 | 150 | 07.10-06.14                           | ■ |  |
| 1.6 EcoBoost (JTDA)                    |                     | Gasolina         | FWD | 1596 | 134 | 182 | 07.10-06.14                           | ■ |  |
| 1.6 EcoBoost (JTDB)                    |                     | Gasolina         | FWD | 1596 | 134 | 182 | 07.10-06.14                           | ■ |  |
| 2.0 (XQDA)                             |                     | Gasolina         | FWD | 1999 | 110 | 150 | 10.13-02.20                           | ■ |  |
| 2.0 Ti-GDi (MGDA)                      |                     | Gasolina         | FWD | 1999 | 125 | 170 | 07.10-02.20                           | ■ |  |
| 2.0 ST (R9DA)                          |                     | Gasolina         | FWD | 1999 | 184 | 250 | 07.12-02.20                           | ■ |  |
| 2.0 ST (R9DB)                          |                     | Gasolina         | FWD | 1999 | 184 | 250 | 07.12-02.20                           | ■ |  |
| 2.0 ST (R9DC)                          |                     | Gasolina         | FWD | 1999 | 184 | 250 | 07.12-02.20                           | ■ |  |
| 2.0 ST (R9DD)                          |                     | Gasolina         | FWD | 1999 | 184 | 250 | 07.12-02.20                           | ■ |  |
| 1.6 LPG (MUDA)                         |                     | Gasol./Gas (LPG) | FWD | 1596 | 86  | 117 | 02.12-02.20                           | ■ |  |

# LISTA DE APLICACIONES - BUYERS GUIDE

|                                      |                     |                  |     |      |     |                                     |             |   |  |
|--------------------------------------|---------------------|------------------|-----|------|-----|-------------------------------------|-------------|---|--|
| 1.6 LPG (MUDA)                       | disc brak.rear axle | Gasol./Gas (LPG) | FWD | 1596 | 88  | 120                                 | 02.12-02.20 | ■ |  |
| 1.6 LPG (MUDD)                       | disc brak.rear axle | Gasol./Gas (LPG) | FWD | 1596 | 88  | 120                                 | 02.12-02.20 | ■ |  |
| 1.6 Flexifuel (MUDA)                 | disc brak.rear axle | Gasol./Etanol    | FWD | 1596 | 88  | 120                                 | 07.10-02.20 | ■ |  |
| 1.6 Flexifuel (MUDD)                 | disc brak.rear axle | Gasol./Etanol    | FWD | 1596 | 88  | 120                                 | 07.10-02.20 | ■ |  |
| 1.6 Flexifuel (YUDA)                 |                     | Gasol./Etanol    | FWD | 1596 | 110 | 150                                 | 07.13-02.20 | ■ |  |
| 1.5 TDCi (XXDA)                      |                     | Diesel           | FWD | 1499 | 70  | 95                                  | 09.14-02.20 | ■ |  |
| 1.5 TDCi (XXDC)                      |                     | Diesel           | FWD | 1499 | 70  | 95                                  | 09.14-02.20 | ■ |  |
| 1.5 TDCi ECOnetic (XXDB)             |                     | Diesel           | FWD | 1499 | 77  | 105                                 | 09.14-02.20 | ■ |  |
| 1.5 TDCi (XWDA)                      |                     | Diesel           | FWD | 1499 | 88  | 120                                 | 09.14-02.20 | ■ |  |
| 1.5 TDCi (XWDB)                      |                     | Diesel           | FWD | 1499 | 88  | 120                                 | 09.14-02.20 | ■ |  |
| 1.5 TDCi (XWDC)                      |                     | Diesel           | FWD | 1499 | 88  | 120                                 | 09.14-02.20 | ■ |  |
| 1.5 TDCi (XWDD)                      |                     | Diesel           | FWD | 1499 | 88  | 120                                 | 09.14-02.20 | ■ |  |
| 1.5 TDCi (XWDE)                      |                     | Diesel           | FWD | 1499 | 88  | 120                                 | 09.14-02.20 | ■ |  |
| 1.6 TDCi (T3DA)                      | disc brak.rear axle | Diesel           | FWD | 1560 | 70  | 95                                  | 07.10-02.20 | ■ |  |
| 1.6 TDCi (T3DB)                      | disc brak.rear axle | Diesel           | FWD | 1560 | 70  | 95                                  | 07.10-02.20 | ■ |  |
| 1.6 TDCi ECOnetic (NGDA)             |                     | Diesel           | FWD | 1560 | 77  | 105                                 | 05.12-07.15 | ■ |  |
| 1.6 TDCi ECOnetic (NGDB)             |                     | Diesel           | FWD | 1560 | 77  | 105                                 | 05.12-07.15 | ■ |  |
| 1.6 TDCi (T1DA)                      | disc brak.rear axle | Diesel           | FWD | 1560 | 85  | 115                                 | 07.10-02.20 | ■ |  |
| 1.6 TDCi (T1DB)                      | disc brak.rear axle | Diesel           | FWD | 1560 | 85  | 115                                 | 07.10-02.20 | ■ |  |
| 2.0 TDCi (TYDA)                      | disc brak.rear axle | Diesel           | FWD | 1997 | 85  | 115                                 | 07.10-06.14 | ■ |  |
| 2.0 TDCi (UKDB)                      |                     | Diesel           | FWD | 1997 | 100 | 136                                 | 07.10-06.14 | ■ |  |
| 2.0 TDCi (UFDB)                      | disc brak.rear axle | Diesel           | FWD | 1997 | 103 | 140                                 | 07.10-06.14 | ■ |  |
| 2.0 TDCi (T7DA)                      |                     | Diesel           | FWD | 1997 | 110 | 150                                 | 11.14-02.20 | ■ |  |
| 2.0 TDCi (T7DB)                      |                     | Diesel           | FWD | 1997 | 110 | 150                                 | 11.14-02.20 | ■ |  |
| 2.0 TDCi (TXDB)                      | disc brak.rear axle | Diesel           | FWD | 1997 | 120 | 163                                 | 07.10-06.14 | ■ |  |
| 2.0 TDCi ST (T8DA)                   |                     | Diesel           | FWD | 1997 | 136 | 185                                 | 11.14-02.20 | ■ |  |
| <b>FOCUS C-MAX (DM2) 10.03-03.07</b> |                     |                  |     |      |     | <b>MPV (Compact MPV-M1 Segment)</b> |             |   |  |
| 1.6 (HWDA)                           | 01/05-              | Gasolina         | FWD | 1596 | 74  | 100                                 | 10.03-03.07 | ■ |  |
| 1.6 (HWDB)                           | 01/05-              | Gasolina         | FWD | 1596 | 74  | 100                                 | 10.03-03.07 | ■ |  |
| 1.6 (SHDA)                           | 01/05-              | Gasolina         | FWD | 1596 | 74  | 100                                 | 10.03-03.07 | ■ |  |
| 1.6 (SHDB)                           | 01/05-              | Gasolina         | FWD | 1596 | 74  | 100                                 | 10.03-03.07 | ■ |  |
| 1.6 (SHDC)                           | 01/05-              | Gasolina         | FWD | 1596 | 74  | 100                                 | 10.03-03.07 | ■ |  |
| 1.6 Ti (HXDA)                        | 01/05-              | Gasolina         | FWD | 1596 | 85  | 115                                 | 08.04-03.07 | ■ |  |
| 1.6 Ti (SIDA)                        | 01/05-              | Gasolina         | FWD | 1596 | 85  | 115                                 | 08.04-03.07 | ■ |  |
| 1.8 (CSDA)                           | 01/05-              | Gasolina         | FWD | 1798 | 88  | 120                                 | 10.03-03.07 | ■ |  |
| 1.8 (CSDB)                           | 01/05-              | Gasolina         | FWD | 1798 | 88  | 120                                 | 10.03-03.07 | ■ |  |
| 1.8 (QQDC)                           |                     | Gasolina         | FWD | 1798 | 90  | 122                                 | 09.05-03.07 | ■ |  |
| 1.8 (Q7DA)                           | 01/05-              | Gasolina         | FWD | 1798 | 92  | 125                                 | 04.04-03.07 | ■ |  |
| 1.8 (QQDA)                           | 01/05-              | Gasolina         | FWD | 1798 | 92  | 125                                 | 04.04-03.07 | ■ |  |
| 1.8 (QQDB)                           | 01/05-              | Gasolina         | FWD | 1798 | 92  | 125                                 | 04.04-03.07 | ■ |  |
| 2.0 (AODA)                           | 01/05-              | Gasolina         | FWD | 1999 | 107 | 145                                 | 03.04-03.07 | ■ |  |
| 2.0 (AODB)                           | 01/05-              | Gasolina         | FWD | 1999 | 107 | 145                                 | 03.04-03.07 | ■ |  |
| 2.0 (AODE)                           | 01/05-              | Gasolina         | FWD | 1999 | 107 | 145                                 | 03.04-03.07 | ■ |  |
| 2.0 (SYDA)                           | 01/05-              | Gasolina         | FWD | 1999 | 107 | 145                                 | 03.04-03.07 | ■ |  |
| 1.8 Flexifuel (Q7DA)                 |                     | Gasol./Etanol    | FWD | 1798 | 92  | 125                                 | 01.06-03.07 | ■ |  |
| 1.6 TDCi (HHDA)                      |                     | Diesel           | FWD | 1560 | 66  | 90                                  | 02.05-03.07 | ■ |  |
| 1.6 TDCi (HHDB)                      |                     | Diesel           | FWD | 1560 | 66  | 90                                  | 02.05-03.07 | ■ |  |
| 1.6 TDCi (G8DA)                      | 01/05-              | Diesel           | FWD | 1560 | 80  | 109                                 | 10.03-03.07 | ■ |  |

# LISTA DE APLICACIONES - BUYERS GUIDE

|  |        |                  |     |      |                                       |     |             |   |
|--|--------|------------------|-----|------|---------------------------------------|-----|-------------|---|
| 1.6 TDCi (G8DB)                              | 01/05- | Diesel           | FWD | 1560 | 80                                    | 109 | 10.03-03.07 | ■ |
| 1.6 TDCi (G8DD)                              | 01/05- | Diesel           | FWD | 1560 | 80                                    | 109 | 10.03-03.07 | ■ |
| 1.6 TDCi (G8DE)                              | 01/05- | Diesel           | FWD | 1560 | 80                                    | 109 | 10.03-03.07 | ■ |
| 1.6 TDCi (G8DF)                              | 01/05- | Diesel           | FWD | 1560 | 80                                    | 109 | 10.03-03.07 | ■ |
| 1.8 TDCi (KKDA)                              |        | Diesel           | FWD | 1753 | 85                                    | 115 | 01.05-03.07 | ■ |
| 1.8 TDCi (KKDB)                              |        | Diesel           | FWD | 1753 | 85                                    | 115 | 01.05-03.07 | ■ |
| 2.0 TDCi (G6DC)                              |        | Diesel           | FWD | 1997 | 98                                    | 133 | 10.03-03.07 | ■ |
| 2.0 TDCi (G6DE)                              |        | Diesel           | FWD | 1997 | 98                                    | 133 | 10.03-03.07 | ■ |
| 2.0 TDCi (G6DF)                              |        | Diesel           | FWD | 1997 | 98                                    | 133 | 10.03-03.07 | ■ |
| 2.0 TDCi (G6DA)                              | 01/05- | Diesel           | FWD | 1997 | 100                                   | 136 | 10.03-03.07 | ■ |
| 2.0 TDCi (G6DB)                              | 01/05- | Diesel           | FWD | 1997 | 100                                   | 136 | 10.03-03.07 | ■ |
| 2.0 TDCi (G6DD)                              | 01/05- | Diesel           | FWD | 1997 | 100                                   | 136 | 10.03-03.07 | ■ |
| 2.0 TDCi (G6DG)                              | 01/05- | Diesel           | FWD | 1997 | 100                                   | 136 | 10.03-03.07 | ■ |
| <b>FOCUS Turnier (DNW) 02.99-12.07</b>       |        |                  |     |      | <b>Estate (Compact car-C Segment)</b> |     |             |   |
| 1.8 Bifuel (EYDL)                            | 01/04- | Gasol./Gas (LPG) | FWD | 1796 | 82                                    | 111 | 02.03-01.05 | ■ |
| <b>GRAND C-MAX 12.10-</b>                    |        |                  |     |      | <b>Box Body/MPV (LCVs-N1 Segment)</b> |     |             |   |
| 1.0 EcoBoost (B3DA)                          |        | Gasolina         | FWD | 998  | 74                                    | 100 | 10.12-06.18 | ■ |
| 1.0 EcoBoost (M2DA)                          |        | Gasolina         | FWD | 998  | 74                                    | 100 | 10.12-06.18 | ■ |
| 1.0 EcoBoost (M2DC)                          |        | Gasolina         | FWD | 998  | 74                                    | 100 | 10.12-06.18 | ■ |
| 1.0 EcoBoost (B7DA)                          |        | Gasolina         | FWD | 998  | 92                                    | 125 | 10.12-06.19 | ■ |
| 1.0 EcoBoost (M1DA)                          |        | Gasolina         | FWD | 998  | 92                                    | 125 | 10.12-06.19 | ■ |
| 1.0 EcoBoost (M1DD)                          |        | Gasolina         | FWD | 998  | 92                                    | 125 | 10.12-06.19 | ■ |
| 1.5 EcoBoost (M8DB)                          |        | Gasolina         | FWD | 1498 | 110                                   | 150 | 03.15-06.19 | ■ |
| 1.6 EcoBoost (JQDA)                          |        | Gasolina         | FWD | 1596 | 110                                   | 150 | 12.10-06.19 | ■ |
| 1.6 EcoBoost (JQDB)                          |        | Gasolina         | FWD | 1596 | 110                                   | 150 | 12.10-06.19 | ■ |
| 1.5 TDCi (XWDA)                              |        | Diesel           | FWD | 1499 | 88                                    | 120 | 03.15-06.19 | ■ |
| 1.5 TDCi (XWDB)                              |        | Diesel           | FWD | 1499 | 88                                    | 120 | 03.15-06.19 | ■ |
| 1.5 TDCi (XWDC)                              |        | Diesel           | FWD | 1499 | 88                                    | 120 | 03.15-06.19 | ■ |
| 1.5 TDCi (XWDD)                              |        | Diesel           | FWD | 1499 | 88                                    | 120 | 03.15-06.19 | ■ |
| 1.5 TDCi (XWDE)                              |        | Diesel           | FWD | 1499 | 88                                    | 120 | 03.15-06.19 | ■ |
| 1.6 TDCi (T3DA)                              |        | Diesel           | FWD | 1560 | 70                                    | 95  | 12.10-06.19 | ■ |
| 1.6 TDCi (T3DB)                              |        | Diesel           | FWD | 1560 | 70                                    | 95  | 12.10-06.19 | ■ |
| 1.6 TDCi (T1DA)                              |        | Diesel           | FWD | 1560 | 85                                    | 115 | 12.10-06.19 | ■ |
| 1.6 TDCi (T1DB)                              |        | Diesel           | FWD | 1560 | 85                                    | 115 | 12.10-06.19 | ■ |
| 2.0 TDCi (TYDA)                              |        | Diesel           | FWD | 1997 | 85                                    | 115 | 02.11-06.19 | ■ |
| 2.0 TDCi (UFDB)                              |        | Diesel           | FWD | 1997 | 103                                   | 140 | 12.10-06.19 | ■ |
| 2.0 TDCi (T7DB)                              |        | Diesel           | FWD | 1997 | 110                                   | 150 | 03.15-06.19 | ■ |
| 2.0 TDCi (T7DC)                              |        | Diesel           | FWD | 1997 | 110                                   | 150 | 03.15-06.19 | ■ |
| 2.0 TDCi (TXDB)                              |        | Diesel           | FWD | 1997 | 120                                   | 163 | 12.10-06.19 | ■ |
| 2.0 TDCi (T8DE)                              |        | Diesel           | FWD | 1997 | 125                                   | 170 | 03.15-06.19 | ■ |
| <b>GRAND C-MAX (DXA/CB7, DXA/CEU) 12.10-</b> |        |                  |     |      | <b>MPV (Large MPV-M1 Segment)</b>     |     |             |   |
| 1.0 EcoBoost (B3DA)                          |        | Gasolina         | FWD | 998  | 74                                    | 100 | 10.12-06.19 | ■ |
| 1.0 EcoBoost (M2DA)                          |        | Gasolina         | FWD | 998  | 74                                    | 100 | 10.12-06.19 | ■ |
| 1.0 EcoBoost (M2DC)                          |        | Gasolina         | FWD | 998  | 74                                    | 100 | 10.12-06.19 | ■ |
| 1.0 EcoBoost (B7DA)                          |        | Gasolina         | FWD | 998  | 92                                    | 125 | 10.12-06.19 | ■ |
| 1.0 EcoBoost (M1DA)                          |        | Gasolina         | FWD | 998  | 92                                    | 125 | 10.12-06.19 | ■ |
| 1.0 EcoBoost (M1DD)                          |        | Gasolina         | FWD | 998  | 92                                    | 125 | 10.12-06.19 | ■ |
| 1.5 EcoBoost (M8DB)                          |        | Gasolina         | FWD | 1498 | 110                                   | 150 | 03.15-06.19 | ■ |
| 1.5 EcoBoost (M9DB)                          |        | Gasolina         | FWD | 1498 | 134                                   | 182 | 03.15-06.19 | ■ |
| 1.6 Ti (IQDA)                                |        | Gasolina         | FWD | 1596 | 77                                    | 105 | 12.10-06.19 | ■ |

# LISTA DE APLICACIONES - BUYERS GUIDE

|                                |  |          |     |      |     |     |  |   |
|--------------------------------|--|----------|-----|------|-----|-----|--|---|
| 1.6 Ti (IQDB)                  |  | Gasolina | FWD | 1596 | 77  | 105 | 12.10-06.19                                | ■ |
| 1.6 Ti (PNDA)                  |  | Gasolina | FWD | 1596 | 92  | 125 | 12.10-06.19                                | ■ |
| 1.6 Ti (PNDD)                  |  | Gasolina | FWD | 1596 | 92  | 125 | 12.10-06.19                                | ■ |
| 1.6 EcoBoost (JQDA)            |  | Gasolina | FWD | 1596 | 110 | 150 | 12.10-06.19                                | ■ |
| 1.6 EcoBoost (JQDB)            |  | Gasolina | FWD | 1596 | 110 | 150 | 12.10-06.19                                | ■ |
| 1.6 EcoBoost (JTDA)            |  | Gasolina | FWD | 1596 | 134 | 182 | 12.10-06.19                                | ■ |
| 1.6 EcoBoost (JTDB)            |  | Gasolina | FWD | 1596 | 134 | 182 | 12.10-06.19                                | ■ |
| 1.5 TDCi (XXDA)                |  | Diesel   | FWD | 1499 | 70  | 95  | 03.15-06.19                                | ■ |
| 1.5 TDCi (XXDC)                |  | Diesel   | FWD | 1499 | 70  | 95  | 03.15-06.19                                | ■ |
| 1.5 TDCi (XWDA)                |  | Diesel   | FWD | 1499 | 88  | 120 | 03.15-06.19                                | ■ |
| 1.5 TDCi (XWDB)                |  | Diesel   | FWD | 1499 | 88  | 120 | 03.15-06.19                                | ■ |
| 1.5 TDCi (XWDC)                |  | Diesel   | FWD | 1499 | 88  | 120 | 03.15-06.19                                | ■ |
| 1.5 TDCi (XWDD)                |  | Diesel   | FWD | 1499 | 88  | 120 | 03.15-06.19                                | ■ |
| 1.5 TDCi (XWDE)                |  | Diesel   | FWD | 1499 | 88  | 120 | 03.15-06.19                                | ■ |
| 1.6 TDCi (T3DA)                |  | Diesel   | FWD | 1560 | 70  | 95  | 12.10-06.19                                | ■ |
| 1.6 TDCi (T3DB)                |  | Diesel   | FWD | 1560 | 70  | 95  | 12.10-06.19                                | ■ |
| 1.6 TDCi (T1DA)                |  | Diesel   | FWD | 1560 | 85  | 115 | 12.10-06.19                                | ■ |
| 1.6 TDCi (T1DB)                |  | Diesel   | FWD | 1560 | 85  | 115 | 12.10-06.19                                | ■ |
| 2.0 TDCi (TYDA)                |  | Diesel   | FWD | 1997 | 85  | 115 | 02.11-06.19                                | ■ |
| 2.0 TDCi (UKDB)                |  | Diesel   | FWD | 1997 | 100 | 136 | 02.11-06.19                                | ■ |
| 2.0 TDCi (UFDB)                |  | Diesel   | FWD | 1997 | 103 | 140 | 02.11-06.19                                | ■ |
| 2.0 TDCi (T7DB)                |  | Diesel   | FWD | 1997 | 110 | 150 | 03.15-06.19                                | ■ |
| 2.0 TDCi (T7DC)                |  | Diesel   | FWD | 1997 | 110 | 150 | 03.15-06.19                                | ■ |
| 2.0 TDCi (TXDB)                |  | Diesel   | FWD | 1997 | 120 | 163 | 12.10-06.19                                | ■ |
| 2.0 TDCi (T8DE)                |  | Diesel   | FWD | 1997 | 125 | 170 | 03.15-06.19                                | ■ |
| <b>KA+ III (UK, FK) 08.14-</b> |  |          |     |      |     |     | <b>Hatchback (Supermini car-B Segment)</b> |   |
| 1.0 Flex                       |  | Gasolina | FWD | 997  | 63  | 86  | 08.14-                                     | ■ |
| 1.2 Ti-VCT                     |  | Gasolina | FWD | 1196 | 65  | 88  | 09.15-                                     | ■ |
| 1.5 Flex                       |  | Gasolina | FWD | 1499 | 81  | 110 | 08.14-                                     | ■ |
| 1.5 (UEJB)                     |  | Gasolina | FWD | 1499 | 82  | 112 | 09.15-01.18                                | ■ |
| <b>KA+ III (TK, FK) 08.14-</b> |  |          |     |      |     |     | <b>Saloon (Supermini car-B Segment)</b>    |   |
| 1.0 Flex                       |  | Gasolina | FWD | 997  | 63  | 86  | 08.14-                                     | ■ |
| 1.2                            |  | Gasolina | FWD | 1196 | 65  | 88  | 09.15-01.18                                | ■ |
| 1.5 Flex                       |  | Gasolina | FWD | 1499 | 81  | 110 | 08.14-                                     | ■ |
| 1.5 (UEJB)                     |  | Gasolina | FWD | 1499 | 82  | 112 | 09.15-01.18                                | ■ |
| <b>KUGA 02.08-11.12</b>        |  |          |     |      |     |     | <b>SUV Van (Compact SUV-J Segment)</b>     |   |
| 2.5                            |  | Gasolina | 4WD | 2521 | 147 | 200 | 02.08-11.12                                | ■ |
| TDCi                           |  | Diesel   | FWD | 1997 | 103 | 140 | 03.10-11.12                                | ■ |
| TDCi 4x4                       |  | Diesel   | 4WD | 1997 | 103 | 140 | 03.10-11.12                                | ■ |
| TDCi 4x4                       |  | Diesel   | 4WD | 1997 | 120 | 163 | 03.10-11.12                                | ■ |
| <b>KUGA 02.08-11.12</b>        |  |          |     |      |     |     | <b>SUV (Compact SUV-J Segment)</b>         |   |
| 2.5 (HYDB)                     |  | Gasolina | FWD | 2522 | 147 | 200 | 03.09-11.12                                | ■ |
| 2.5 (HYDC)                     |  | Gasolina | FWD | 2522 | 147 | 200 | 03.09-11.12                                | ■ |
| 2.5 4x4 (HYDB)                 |  | Gasolina | 4WD | 2522 | 147 | 200 | 02.08-11.12                                | ■ |
| 2.5 4x4 (HYDC)                 |  | Gasolina | 4WD | 2522 | 147 | 200 | 02.08-11.12                                | ■ |
| 2.0 TDCi (G6DG)                |  | Diesel   | FWD | 1997 | 100 | 136 | 03.08-11.12                                | ■ |
| 2.0 TDCi (UKDA)                |  | Diesel   | FWD | 1997 | 100 | 136 | 03.08-11.12                                | ■ |
| 2.0 TDCi 4x4 (G6DG)            |  | Diesel   | 4WD | 1997 | 100 | 136 | 03.08-11.12                                | ■ |
| 2.0 TDCi 4x4 (UKDA)            |  | Diesel   | 4WD | 1997 | 100 | 136 | 03.08-11.12                                | ■ |
| 2.0 TDCi (UFDA)                |  | Diesel   | FWD | 1997 | 103 | 140 | 03.10-11.12                                | ■ |

# LISTA DE APLICACIONES - BUYERS GUIDE

|  |                |          |     |  |     |     |             |   |
|--|----------------|----------|-----|--|-----|-----|-------------|---|
| 2.0 TDCi 4x4 (UFDA)                      |                | Diesel   | 4WD | 1997                                   | 103 | 140 | 03.10-11.12 | ■ |
| 2.0 TDCi 4x4 (TXDA)                      |                | Diesel   | 4WD | 1997                                   | 120 | 163 | 03.10-11.12 | ■ |
| <b>KUGA II / ESCAPE III 05.12-</b>       |                |          |     | <b>SUV Van (Compact SUV-J Segment)</b> |     |     |             |   |
| 1.5 EcoBoost (BNMA)                      |                | Gasolina | FWD | 1499                                   | 88  | 120 | 06.19-12.19 | ■ |
| 1.5 EcoBoost (M8MA)                      |                | Gasolina | FWD | 1499                                   | 110 | 150 | 09.14-12.19 | ■ |
| 1.5 EcoBoost 4x4                         |                | Gasolina | 4WD | 1499                                   | 129 | 176 | 06.19-12.19 | ■ |
| 1.5 EcoBoost 4x4 (M9MA)                  |                | Gasolina | 4WD | 1499                                   | 134 | 182 | 09.14-12.19 | ■ |
| 1.5 TDCi (XWMB)                          |                | Diesel   | FWD | 1499                                   | 88  | 120 | 01.19-12.19 | ■ |
| 1.5 TDCi (XWMC)                          |                | Diesel   | FWD | 1499                                   | 88  | 120 | 01.19-12.19 | ■ |
| 2.0 TDCi (XRMA)                          |                | Diesel   | FWD | 1997                                   | 88  | 120 | 09.14-12.19 | ■ |
| 2.0 TDCi (XRMB)                          |                | Diesel   | FWD | 1997                                   | 88  | 120 | 09.14-12.19 | ■ |
| 2.0 TDCi (T7MA)                          |                | Diesel   | FWD | 1997                                   | 110 | 150 | 09.14-12.19 | ■ |
| 2.0 TDCi (T7MB)                          |                | Diesel   | FWD | 1997                                   | 110 | 150 | 09.14-12.19 | ■ |
| 2.0 TDCi 4x4 (T7MA)                      |                | Diesel   | 4WD | 1997                                   | 110 | 150 | 09.14-12.19 | ■ |
| 2.0 TDCi 4x4 (T7MB)                      |                | Diesel   | 4WD | 1997                                   | 110 | 150 | 09.14-12.19 | ■ |
| 2.0 TDCi 4x4 (T8MA)                      |                | Diesel   | 4WD | 1998                                   | 132 | 180 | 09.14-12.19 | ■ |
| 2.0 TDCi 4x4 (T8MB)                      |                | Diesel   | 4WD | 1998                                   | 132 | 180 | 09.14-12.19 | ■ |
| <b>KUGA II / ESCAPE III (DM2) 05.12-</b> |                |          |     | <b>SUV (Compact SUV-J Segment)</b>     |     |     |             |   |
| 1.5 EcoBoost (BNMA)                      |                | Gasolina | FWD | 1499                                   | 88  | 120 | 01.16-06.19 | ■ |
| 1.5 EcoBoost (M8MA)                      |                | Gasolina | FWD | 1499                                   | 110 | 150 | 09.14-06.19 | ■ |
| 1.5 EcoBoost 4x4 (M8MA)                  |                | Gasolina | 4WD | 1499                                   | 110 | 150 | 07.16-12.19 | ■ |
| 1.5 EcoBoost 4x4                         |                | Gasolina | 4WD | 1499                                   | 129 | 176 | 08.18-06.19 | ■ |
| 1.5 EcoBoost 4x4 (M9MA)                  |                | Gasolina | 4WD | 1499                                   | 134 | 182 | 09.14-06.18 | ■ |
| 1.6 EcoBoost (JQMA)                      |                | Gasolina | FWD | 1596                                   | 110 | 150 | 03.13-09.14 | ■ |
| 1.6 EcoBoost (JQMB)                      |                | Gasolina | FWD | 1596                                   | 110 | 150 | 03.13-09.14 | ■ |
| 1.6 EcoBoost 4x4 (JQMA)                  |                | Gasolina | 4WD | 1596                                   | 110 | 150 | 03.13-09.14 | ■ |
| 1.6 EcoBoost 4x4 (JQMB)                  |                | Gasolina | 4WD | 1596                                   | 110 | 150 | 03.13-09.14 | ■ |
| 1.6 EcoBoost                             |                | Gasolina | FWD | 1596                                   | 130 | 177 | 01.13-      | ■ |
| 1.6 EcoBoost 4x4 (JTMA)                  |                | Gasolina | 4WD | 1596                                   | 132 | 179 | 10.12-12.19 | ■ |
| 1.6 EcoBoost 4x4 (JTMA)                  |                | Gasolina | 4WD | 1596                                   | 134 | 182 | 03.13-09.14 | ■ |
| 1.6                                      |                | Gasolina | FWD | 1601                                   | 133 | 181 | 03.13-      | ■ |
| 2.0 EcoBoost 4x4                         |                | Gasolina | 4WD | 1999                                   | 169 | 230 | 03.19-12.19 | ■ |
| 2.0 EcoBoost 4x4 (R9MA)                  |                | Gasolina | 4WD | 1999                                   | 178 | 242 | 08.17-06.18 | ■ |
| 2.5                                      |                | Gasolina | FWD | 2488                                   | 110 | 150 | 01.14-12.19 | ■ |
| 1.5 TDCi (XWMB)                          |                | Diesel   | FWD | 1499                                   | 88  | 120 | 07.16-06.19 | ■ |
| 1.5 TDCi (XWMC)                          |                | Diesel   | FWD | 1499                                   | 88  | 120 | 07.16-06.19 | ■ |
| 2.0 TDCi (TYMA)                          |                | Diesel   | FWD | 1997                                   | 85  | 115 | 03.13-12.19 | ■ |
| 2.0 TDCi (XRMA)                          |                | Diesel   | FWD | 1997                                   | 88  | 120 | 09.14-06.19 | ■ |
| 2.0 TDCi (XRMB)                          |                | Diesel   | FWD | 1997                                   | 88  | 120 | 09.14-06.19 | ■ |
| 2.0 TDCi (UKMA)                          |                | Diesel   | FWD | 1997                                   | 100 | 136 | 03.13-12.19 | ■ |
| 2.0 TDCi 4x4 (UKMA)                      |                | Diesel   | 4WD | 1997                                   | 100 | 136 | 03.13-12.19 | ■ |
| 2.0 TDCi (UFMA)                          | Long Wheelbase | Diesel   | FWD | 1997                                   | 103 | 140 | 03.13-09.14 | ■ |
| 2.0 TDCi 4x4 (UFMA)                      |                | Diesel   | 4WD | 1997                                   | 103 | 140 | 03.13-09.14 | ■ |
| 2.0 TDCi (T7MA)                          |                | Diesel   | FWD | 1997                                   | 110 | 150 | 09.14-06.19 | ■ |
| 2.0 TDCi (T7MB)                          |                | Diesel   | FWD | 1997                                   | 110 | 150 | 09.14-06.19 | ■ |
| 2.0 TDCi (T7MC)                          |                | Diesel   | FWD | 1997                                   | 110 | 150 | 09.14-06.19 | ■ |
| 2.0 TDCi (T7MD)                          |                | Diesel   | FWD | 1997                                   | 110 | 150 | 09.14-06.19 | ■ |
| 2.0 TDCi 4x4 (T7MA)                      |                | Diesel   | 4WD | 1997                                   | 110 | 150 | 09.14-06.19 | ■ |
| 2.0 TDCi 4x4 (T7MB)                      |                | Diesel   | 4WD | 1997                                   | 110 | 150 | 09.14-06.19 | ■ |
| 2.0 TDCi 4x4 (TXDA)                      |                | Diesel   | 4WD | 1997                                   | 120 | 163 | 03.13-09.14 | ■ |
| 2.0 TDCi 4x4 (TXMA)                      |                | Diesel   | 4WD | 1997                                   | 120 | 163 | 03.13-09.14 | ■ |

# LISTA DE APLICACIONES - BUYERS GUIDE

|   |  |          |     |      |                                       |     |             |   |  |
|---|--|----------|-----|------|---------------------------------------|-----|-------------|---|--|
| 2.0 TDCi 4x4 (T8MA)   |  | Diesel   | 4WD | 1997 | 132                                   | 180 | 09.14-06.19 | ■ |  |
| 2.0 TDCi 4x4 (T8MB)   |  | Diesel   | 4WD | 1997 | 132                                   | 180 | 09.14-06.19 | ■ |  |
| <b>TOURNEO CONNECT II / GRAND TOURNEO CONNECT V408 09.13-</b> |  |          |     |      | <b>MPV (Large MPV-M1 Segment)</b>     |     |             |   |  |
| 1.0 EcoBoost (B3GA)   |  | Gasolina | FWD | 998  | 74                                    | 100 | 11.13-12.22 | ■ |  |
| 1.0 EcoBoost (M2GA)   |  | Gasolina | FWD | 998  | 74                                    | 100 | 11.13-12.22 | ■ |  |
| 1.0 EcoBoost (M2GB)   |  | Gasolina | FWD | 998  | 74                                    | 100 | 11.13-12.22 | ■ |  |
| 1.6 EcoBoost (JQGA)   |  | Gasolina | FWD | 1596 | 110                                   | 150 | 11.13-12.22 | ■ |  |
| 1.5 EcoBlue (BEGA)  |  | Diesel   | FWD | 1499 | 55                                    | 75  | 05.18-12.22 | ■ |  |
| 1.5 TDCi (XUGA)   |  | Diesel   | FWD | 1499 | 55                                    | 75  | 05.15-12.22 | ■ |  |
| 1.5 EcoBlue (Z2GA)  |  | Diesel   | FWD | 1499 | 74                                    | 101 | 05.18-12.22 | ■ |  |
| 1.5 TDCi (XVGA)   |  | Diesel   | FWD | 1499 | 74                                    | 101 | 05.15-12.22 | ■ |  |
| 1.5 TDCi (XVGB)   |  | Diesel   | FWD | 1499 | 74                                    | 101 | 05.15-12.22 | ■ |  |
| 1.5 TDCi (XVGC)   |  | Diesel   | FWD | 1499 | 74                                    | 101 | 05.15-12.22 | ■ |  |
| 1.5 TDCi (XXGA)   |  | Diesel   | FWD | 1499 | 74                                    | 101 | 05.15-12.22 | ■ |  |
| 1.5 EcoBlue (ZTGA)  |  | Diesel   | FWD | 1499 | 88                                    | 120 | 05.18-12.22 | ■ |  |
| 1.5 TDCi (XWGA)   |  | Diesel   | FWD | 1499 | 88                                    | 120 | 05.15-12.22 | ■ |  |
| 1.5 TDCi (XWGB)   |  | Diesel   | FWD | 1499 | 88                                    | 120 | 05.15-12.22 | ■ |  |
| 1.5 TDCi (XWGC)   |  | Diesel   | FWD | 1499 | 88                                    | 120 | 05.15-12.22 | ■ |  |
| 1.6 TDCi (UBGA)   |  | Diesel   | FWD | 1560 | 55                                    | 75  | 09.13-12.22 | ■ |  |
| 1.6 TDCi (TZGA)   |  | Diesel   | FWD | 1560 | 70                                    | 95  | 09.13-12.22 | ■ |  |
| 1.6 TDCi (TZGB)   |  | Diesel   | FWD | 1560 | 70                                    | 95  | 09.13-12.22 | ■ |  |
| 1.6 TDCi (T1GA)   |  | Diesel   | FWD | 1560 | 85                                    | 115 | 09.13-12.22 | ■ |  |
| <b>TRANSIT CONNECT II 09.13-</b>                              |  |          |     |      | <b>MPV (Large MPV-M1 Segment)</b>     |     |             |   |  |
| 1.6 EcoBoost  |  | Gasolina | FWD | 1596 | 110                                   | 150 | 02.13-      | ■ |  |
| 2.5 Duratec   |  | Gasolina | FWD | 2488 | 126                                   | 171 | 09.13-      | ■ |  |
| 1.5 TDCi (XUGA)   |  | Diesel   | FWD | 1499 | 55                                    | 75  | 08.15-      | ■ |  |
| 1.5 EcoBlue (Z2GA)  |  | Diesel   | FWD | 1499 | 74                                    | 101 | 05.18-      | ■ |  |
| 1.5 TDCi (XVGA)   |  | Diesel   | FWD | 1499 | 74                                    | 101 | 05.15-      | ■ |  |
| 1.5 TDCi (XVGB)   |  | Diesel   | FWD | 1499 | 74                                    | 101 | 05.15-      | ■ |  |
| 1.5 TDCi (XVGC)   |  | Diesel   | FWD | 1499 | 74                                    | 101 | 05.15-      | ■ |  |
| 1.5 TDCi (XXGA)   |  | Diesel   | FWD | 1499 | 74                                    | 101 | 05.15-      | ■ |  |
| 1.5 EcoBlue (ZTGA)  |  | Diesel   | FWD | 1499 | 88                                    | 120 | 05.18-      | ■ |  |
| 1.5 TDCi (XWGA)   |  | Diesel   | FWD | 1499 | 88                                    | 120 | 05.15-      | ■ |  |
| 1.5 TDCi (XWGB)   |  | Diesel   | FWD | 1499 | 88                                    | 120 | 05.15-      | ■ |  |
| 1.5 TDCi (XWGC)   |  | Diesel   | FWD | 1499 | 88                                    | 120 | 05.15-      | ■ |  |
| 1.6 TDCi (UBGA)   |  | Diesel   | FWD | 1560 | 55                                    | 75  | 09.13-      | ■ |  |
| 1.6 TDCi (TZGA)   |  | Diesel   | FWD | 1560 | 70                                    | 95  | 09.13-      | ■ |  |
| 1.6 TDCi (TZGB)   |  | Diesel   | FWD | 1560 | 70                                    | 95  | 09.13-      | ■ |  |
| 1.6 TDCi (T1GA)   |  | Diesel   | FWD | 1560 | 85                                    | 115 | 09.13-      | ■ |  |
| <b>TRANSIT CONNECT II V408 09.13-</b>                         |  |          |     |      | <b>Box Body/MPV (LCVs-N1 Segment)</b> |     |             |   |  |
| 1.0 EcoBoost (B3GA)   |  | Gasolina | FWD | 998  | 74                                    | 100 | 09.13-      | ■ |  |
| 1.0 EcoBoost (M2GA)   |  | Gasolina | FWD | 998  | 74                                    | 100 | 09.13-      | ■ |  |
| 1.0 EcoBoost (M2GB)   |  | Gasolina | FWD | 998  | 74                                    | 100 | 09.13-      | ■ |  |
| 1.6 EcoBoost (JQGA)   |  | Gasolina | FWD | 1596 | 110                                   | 150 | 11.13-      | ■ |  |
| 2.5 Duratec   |  | Gasolina | FWD | 2488 | 126                                   | 171 | 09.13-      | ■ |  |
| 1.5 EcoBlue (BEGA)  |  | Diesel   | FWD | 1499 | 55                                    | 75  | 05.18-      | ■ |  |
| 1.5 TDCi (XUGA)   |  | Diesel   | FWD | 1499 | 55                                    | 75  | 08.15-      | ■ |  |
| 1.5 EcoBlue (Z2GA)  |  | Diesel   | FWD | 1499 | 74                                    | 101 | 05.18-      | ■ |  |
| 1.5 TDCi (XVGA)   |  | Diesel   | FWD | 1499 | 74                                    | 101 | 05.15-      | ■ |  |
| 1.5 TDCi (XVGB)   |  | Diesel   | FWD | 1499 | 74                                    | 101 | 05.15-      | ■ |  |

# LISTA DE APLICACIONES - BUYERS GUIDE

|                                   |        |          |     |      |   |     |             |   |
|-----------------------------------|--------|----------|-----|------|---|-----|-------------|---|
| 1.5 TDCi (XVGC)                   |        | Diesel   | FWD | 1499 | 74  | 101 | 05.15-      | ■ |
| 1.5 TDCi (XXGA)                   |        | Diesel   | FWD | 1499 | 74  | 101 | 05.15-      | ■ |
| 1.5 EcoBlue (ZTGA)                |        | Diesel   | FWD | 1499 | 88  | 120 | 05.18-      | ■ |
| 1.5 TDCi (XWGA)                   |        | Diesel   | FWD | 1499 | 88  | 120 | 05.15-      | ■ |
| 1.5 TDCi (XWGB)                   |        | Diesel   | FWD | 1499 | 88  | 120 | 05.15-      | ■ |
| 1.5 TDCi (XWGC)                   |        | Diesel   | FWD | 1499 | 88  | 120 | 05.15-      | ■ |
| 1.6 TDCi (UBGA)                   |        | Diesel   | FWD | 1560 | 55  | 75  | 09.13-      | ■ |
| 1.6 TDCi (TZGA)                   |        | Diesel   | FWD | 1560 | 70  | 95  | 09.13-      | ■ |
| 1.6 TDCi (TZGB)                   |        | Diesel   | FWD | 1560 | 70  | 95  | 09.13-      | ■ |
| 1.6 TDCi (T1GA)                   |        | Diesel   | FWD | 1560 | 85  | 115 | 09.13-      | ■ |
| <b>FORD (CHANGAN)</b>             |        |          |     |      |   |     |             |   |
| <b>FOCUS (CD5) 09.05-12.11</b>    |        |          |     |      | <b>Hatchback (Compact car-C Segment)</b>  |     |             |   |
| 1.8                               |        | Gasolina | FWD | 1798 | 91  | 122 | 08.06-12.11 | ■ |
| 2.0                               |        | Gasolina | FWD | 1999 | 104                                       | 140 | 08.06-12.11 | ■ |
| <b>FOCUS (CD4) 09.05-12.11</b>    |        |          |     |      | <b>Saloon (Compact car-C Segment)</b>     |     |             |   |
| 1.8                               |        | Gasolina | FWD | 1798 | 91  | 124 | 09.05-12.11 | ■ |
| 2.0                               |        | Gasolina | FWD | 1999 | 104                                       | 140 | 09.05-12.11 | ■ |
| <b>KUGA 01.13-</b>                |        |          |     |      | <b>SUV (Compact SUV-J Segment)</b>        |     |             |   |
| 1.6 GTDi                          |        | Gasolina | FWD | 1596 | 130                                       | 177 | 01.13-      | ■ |
| 1.6 GTDi                          |        | Gasolina | FWD | 1596 | 130                                       | 177 | 01.13-      | ■ |
| 2.0 GTDi                          |        | Gasolina | FWD | 1998 | 178                                       | 242 | 01.13-      | ■ |
| <b>FORD AUSTRALIA</b>             |        |          |     |      |   |     |             |   |
| <b>KUGA (TE) 01.11-11.14</b>      |        |          |     |      | <b>Hatchback (Compact SUV-J Segment)</b>  |     |             |   |
| 1.6 EcoBoost                      |        | Gasolina | FWD | 1596 | 134                                       | 182 | 04.13-11.14 | ■ |
| 2.5                               |        | Gasolina | FWD | 2522 | 147                                       | 200 | 05.12-      | ■ |
| 2.0 D                             |        | Diesel   | RWD | 1998 | 120                                       | 163 | 04.13-      | ■ |
| <b>TRANSIT (VO) 09.14-</b>        |        |          |     |      | <b>Platform/Chassis (LCVs-N1 Segment)</b> |     |             |   |
| 2.2 TDCi                          |        | Diesel   | RWD | 2198 | 114                                       | 155 | 09.14-      | ■ |
| <b>TRANSIT (VO) 09.14-</b>        |        |          |     |      | <b>Van (LCVs-N1 Segment)</b>              |     |             |   |
| 2.2 TDCi                          |        | Diesel   | RWD | 2198 | 114                                       | 155 | 09.14-      | ■ |
| <b>MAZDA</b>                      |        |          |     |      |   |     |             |   |
| <b>3 / AXELA (BK) 10.03-12.09</b> |        |          |     |      | <b>Hatchback (Compact car-C Segment)</b>  |     |             |   |
| 1.3 (BK14) (ZJ07)                 | 01/06- | Gasolina | FWD | 1349 | 62  | 84  | 10.03-06.09 | ■ |
| 1.3 (BK14) (ZJ30)                 | 01/06- | Gasolina | FWD | 1349 | 62  | 84  | 10.03-06.09 | ■ |
| 1.3 (BK14) (ZJ32)                 | 01/06- | Gasolina | FWD | 1349 | 62  | 84  | 10.03-06.09 | ■ |
| 1.4                               | 01/06- | Gasolina | FWD | 1388 | 59  | 80  | 02.04-06.09 | ■ |
| 1.6 (BK14) (Z601)                 | 01/06- | Gasolina | FWD | 1598 | 77  | 105 | 10.03-06.09 | ■ |
| 1.6 (BK14) (Z627)                 | 01/06- | Gasolina | FWD | 1598 | 77  | 105 | 10.03-06.09 | ■ |
| 2.0 (BKEP) (LF50)                 | 01/06- | Gasolina | FWD | 1999 | 110                                       | 150 | 10.03-12.09 | ■ |
| 2.0 (BKEP) (LF72)                 | 01/06- | Gasolina | FWD | 1999 | 110                                       | 150 | 10.03-12.09 | ■ |
| 2.0 (BKEP) (LFDE)                 | 01/06- | Gasolina | FWD | 1999 | 110                                       | 150 | 10.03-12.09 | ■ |
| 2.0 (BKEP) (LFN7)                 | 01/06- | Gasolina | FWD | 1999 | 110                                       | 150 | 10.03-12.09 | ■ |
| 2.0 (BKEP) (LFN8)                 | 01/06- | Gasolina | FWD | 1999 | 110                                       | 150 | 10.03-12.09 | ■ |
| 2.0 (BKEP) (LFVE)                 | 01/06- | Gasolina | FWD | 1999 | 110                                       | 150 | 10.03-12.09 | ■ |
| 2.3 MZR Sport                     | 01/06- | Gasolina | FWD | 2261 | 126                                       | 171 | 10.03-06.09 | ■ |
| 2.3 DiSi Turbo MPS (BK3P) (L3YH)  |        | Gasolina | FWD | 2261 | 184                                       | 250 | 06.06-06.09 | ■ |
| 2.3 MPS Turbo (BK14) (L3M6)       |        | Gasolina | FWD | 2261 | 191                                       | 260 | 12.06-06.09 | ■ |
| 2.3 MPS                           |        | Gasolina | FWD | 2261 | 196                                       | 267 | 01.07-06.09 | ■ |

# LISTA DE APLICACIONES - BUYERS GUIDE

|  |        |          |     |      |   |     |             |   |  |
|--|--------|----------|-----|------|---|-----|-------------|---|--|
| 1.6 MZ-CD (Y406)                       |        | Diesel   | FWD | 1560 | 66  | 90  | 06.06-12.09 | ■ |  |
| 1.6 DI Turbo (Y601)                    | 01/06- | Diesel   | FWD | 1560 | 80  | 109 | 06.04-06.09 | ■ |  |
| 1.6 DI Turbo (Y603)                    | 01/06- | Diesel   | FWD | 1560 | 80  | 109 | 06.04-06.09 | ■ |  |
| 1.6 DI Turbo (Y605)                    | 01/06- | Diesel   | FWD | 1560 | 80  | 109 | 06.04-06.09 | ■ |  |
| 1.6 DI Turbo (Y642)                    | 01/06- | Diesel   | FWD | 1560 | 80  | 109 | 06.04-06.09 | ■ |  |
| 2.0 MZR-CD (BK14) (RF7J)               |        | Diesel   | FWD | 1998 | 105                                       | 143 | 07.06-06.09 | ■ |  |
| 2.0 MZR-CD (BK14) (RF8G)               |        | Diesel   | FWD | 1998 | 105                                       | 143 | 07.06-06.09 | ■ |  |
| <b>3 / AXELA (BK) 09.99-12.09</b>      |        |          |     |      | <b>Saloon (Compact car-C Segment)</b>     |     |             |   |  |
| 1.6 (BK12) (Z601)                      | 01/06- | Gasolina | FWD | 1598 | 77  | 105 | 02.04-06.09 | ■ |  |
| 1.6 (BK12) (Z627)                      | 01/06- | Gasolina | FWD | 1598 | 77  | 105 | 02.04-06.09 | ■ |  |
| 2.0 16V                                | 01/07- | Gasolina | FWD | 1995 | 109                                       | 148 | 01.04-      | ■ |  |
| 2.0 16V                                | 01/06- | Gasolina | FWD | 1995 | 110                                       | 150 | 01.04-      | ■ |  |
| 2.0 (BKEP) (LF50)                      | 01/06- | Gasolina | FWD | 1999 | 110                                       | 150 | 10.03-12.09 | ■ |  |
| 2.0 (BKEP) (LF72)                      | 01/06- | Gasolina | FWD | 1999 | 110                                       | 150 | 10.03-12.09 | ■ |  |
| 2.0 (BKEP) (LFDE)                      | 01/06- | Gasolina | FWD | 1999 | 110                                       | 150 | 10.03-12.09 | ■ |  |
| 2.0 (BKEP) (LFN7)                      | 01/06- | Gasolina | FWD | 1999 | 110                                       | 150 | 10.03-12.09 | ■ |  |
| 2.0 (BKEP) (LFN8)                      | 01/06- | Gasolina | FWD | 1999 | 110                                       | 150 | 10.03-12.09 | ■ |  |
| 2.0 (BKEP) (LFVE)                      | 01/06- | Gasolina | FWD | 1999 | 110                                       | 150 | 10.03-12.09 | ■ |  |
| 2.3 (L3-VE)                            | 01/06- | Gasolina | FWD | 2261 | 118                                       | 160 | 03.04-03.09 | ■ |  |
| 2.3 16V                                | 01/07- | Gasolina | FWD | 2295 | 116                                       | 158 | 01.04-      | ■ |  |
| 2.3 16V                                | 01/06- | Gasolina | FWD | 2295 | 118                                       | 160 | 01.04-      | ■ |  |
| 2.3 16V                                | 01/06- | Gasolina | FWD | 2295 | 118                                       | 160 | 01.04-      | ■ |  |
| 1.6 DI Turbo (BK12Y) (Y601)            | 01/06- | Diesel   | FWD | 1560 | 80  | 109 | 06.04-06.09 | ■ |  |
| 1.6 DI Turbo (BK12Y) (Y603)            | 01/06- | Diesel   | FWD | 1560 | 80  | 109 | 06.04-06.09 | ■ |  |
| 1.6 DI Turbo (BK12Y) (Y605)            | 01/06- | Diesel   | FWD | 1560 | 80  | 109 | 06.04-06.09 | ■ |  |
| 1.6 DI Turbo (BK12Y) (Y642)            | 01/06- | Diesel   | FWD | 1560 | 80  | 109 | 06.04-06.09 | ■ |  |
| 2.0 MZR-CD (BK12) (RF7J)               |        | Diesel   | FWD | 1998 | 105                                       | 143 | 12.06-06.09 | ■ |  |
| 2.0 MZR-CD (BK12) (RF8G)               |        | Diesel   | FWD | 1998 | 105                                       | 143 | 12.06-06.09 | ■ |  |
| <b>5 II / PREMACY (CR) 02.05-12.10</b> |        |          |     |      | <b>MPV (Compact MPV-M1 Segment)</b>       |     |             |   |  |
| 1.8 (CR19) (L823)                      | -12/06 | Gasolina | FWD | 1798 | 85  | 116 | 02.05-05.10 | ■ |  |
| 2.0 (CREW, CR19) (LFF7)                | -12/06 | Gasolina | FWD | 1999 | 107                                       | 146 | 02.05-05.10 | ■ |  |
| 2.3 (CR3W)                             | -12/06 | Gasolina | FWD | 2261 | 122                                       | 166 | 02.05-09.08 | ■ |  |
| 2.0 CD (CR19) (RF7J)                   | -12/06 | Diesel   | FWD | 1998 | 81  | 110 | 02.05-05.10 | ■ |  |
| 2.0 CD (CR19) (RF7J)                   | -12/06 | Diesel   | FWD | 1998 | 105                                       | 143 | 02.05-05.10 | ■ |  |
| <b>5 III / PREMACY (CW) 06.10-</b>     |        |          |     |      | <b>MPV (Compact MPV-M1 Segment)</b>       |     |             |   |  |
| 1.6 CD (Y650)                          |        | Diesel   | FWD | 1560 | 85  | 116 | 07.10-      | ■ |  |
| 1.6 CD (Y655)                          |        | Diesel   | FWD | 1560 | 85  | 116 | 07.10-      | ■ |  |
| 1.6 CD (Y6Y1)                          |        | Diesel   | FWD | 1560 | 85  | 116 | 07.10-      | ■ |  |
| <b>PREMACY (CP) 01.99-03.05</b>        |        |          |     |      | <b>MPV (Compact MPV-M1 Segment)</b>       |     |             |   |  |
| 2.0                                    |        | Gasolina | FWD | 1999 | 107                                       | 145 | 02.05-03.05 | ■ |  |
| 2.3 SVT                                |        | Gasolina | FWD | 2261 | 122                                       | 166 | 02.05-03.05 | ■ |  |
| <b>OPEL</b>                            |        |          |     |      |   |     |             |   |  |
| <b>GT II (M07) 06.07-</b>              |        |          |     |      | <b>Convertible (Sports car-S Segment)</b> |     |             |   |  |
| 2.0 (G67) (Z 20 NHH)                   |        | Gasolina | RWD | 1998 | 194                                       | 264 | 06.07-12.11 | ■ |  |
| <b>VOLVO</b>                           |        |          |     |      |   |     |             |   |  |
| <b>C30 (533) 09.06-12.13</b>           |        |          |     |      | <b>Hatchback (Compact car-C Segment)</b>  |     |             |   |  |
| 1.6 (B 4164 S3)                        |        | Gasolina | FWD | 1596 | 74  | 100 | 10.06-12.12 | ■ |  |
| 1.8 (B 4184 S11)                       |        | Gasolina | FWD | 1798 | 92  | 125 | 10.06-12.12 | ■ |  |
| 2.0 (B 4204 S3)                        |        | Gasolina | FWD | 1999 | 107                                       | 145 | 10.06-12.12 | ■ |  |

# LISTA DE APLICACIONES - BUYERS GUIDE

|                                 |        |               |     |   |     |     |             |   |
|---------------------------------|--------|---------------|-----|---|-----|-----|-------------|---|
| 2.4 i (B 5244 S4)               |        | Gasolina      | FWD | 2435  | 125 | 170 | 10.06-12.12 | ■ |
| T5 (B 5254 T3)                  |        | Gasolina      | FWD | 2521  | 162 | 220 | 10.06-12.12 | ■ |
| T5 (B 5254 T7)                  |        | Gasolina      | FWD | 2521  | 169 | 230 | 03.07-12.12 | ■ |
| T5                              |        | Gasolina      | FWD | 2521  | 184 | 250 | 10.07-12.13 | ■ |
| 1.8 Flexfuel (B 4184 S8)        |        | Gasol./Etanol | FWD | 1798  | 92  | 125 | 01.07-12.12 | ■ |
| 2.0 FlexFuel (B 4204 S4)        |        | Gasol./Etanol | FWD | 1999  | 107 | 146 | 01.10-12.12 | ■ |
| Electric (E400V1)               |        | Eléctrico     | FWD |   | 82  | 112 | 12.10-12.12 | ■ |
| Electric (E400V1)               |        | Eléctrico     | FWD |   | 89  | 120 | 12.10-12.12 | ■ |
| 1.6 D (D 4164 T)                |        | Diesel        | FWD | 1560  | 80  | 109 | 10.06-12.12 | ■ |
| D2 (D 4162 T)                   |        | Diesel        | FWD | 1560  | 84  | 115 | 10.10-12.12 | ■ |
| D3 (D 5204 T5)                  |        | Diesel        | FWD | 1984  | 110 | 150 | 10.10-12.12 | ■ |
| D4 (D 5204 T)                   |        | Diesel        | FWD | 1984  | 130 | 177 | 10.10-12.12 | ■ |
| 2.0 D (D 4204 T)                |        | Diesel        | FWD | 1998  | 100 | 136 | 10.06-12.12 | ■ |
| D5 (D 5244 T9)                  |        | Diesel        | FWD | 2400  | 120 | 163 | 10.06-12.12 | ■ |
| D5 (D 5244 T13)                 |        | Diesel        | FWD | 2400  | 132 | 180 | 10.06-12.12 | ■ |
| D5 (D 5244 T8)                  |        | Diesel        | FWD | 2400  | 132 | 180 | 10.06-12.12 | ■ |
| <b>C70 II (542) 03.06-12.13</b> |        |               |     | <b>Convertible (Pony car-F Segment)</b>         |     |     |             |   |
| 2.4 (B 5244 S5)                 |        | Gasolina      | FWD | 2435  | 103 | 140 | 03.06-10.09 | ■ |
| 2.4 i (B 5244 S4)               |        | Gasolina      | FWD | 2435  | 125 | 170 | 03.06-10.09 | ■ |
| T5 (B 5254 T3)                  |        | Gasolina      | FWD | 2521  | 162 | 220 | 03.06-02.07 | ■ |
| T5 (B 5254 T7)                  |        | Gasolina      | FWD | 2521  | 169 | 230 | 03.07-06.13 | ■ |
| D3 (D 5204 T5)                  |        | Diesel        | FWD | 1984  | 110 | 150 | 10.10-06.13 | ■ |
| D4 (D 5204 T)                   |        | Diesel        | FWD | 1984  | 130 | 177 | 10.10-06.13 | ■ |
| 2.0 D (D 4204 T)                |        | Diesel        | FWD | 1998  | 100 | 136 | 01.08-10.09 | ■ |
| 2.4 D (D 5244 T9)               |        | Diesel        | FWD | 2400  | 120 | 163 | 03.07-06.13 | ■ |
| D5 (D 5244 T13)                 |        | Diesel        | FWD | 2400  | 132 | 180 | 03.06-06.13 | ■ |
| D5 (D 5244 T8)                  |        | Diesel        | FWD | 2400  | 132 | 180 | 03.06-06.13 | ■ |
| <b>S40 II (544) 12.03-12.12</b> |        |               |     | <b>Saloon (Compact executive car-D Segment)</b> |     |     |             |   |
| 1.6 (B 4164 S3)                 |        | Gasolina      | FWD | 1596  | 74  | 101 | 01.05-12.12 | ■ |
| 1.8 (B 4184 S11)                | 01/05- | Gasolina      | FWD | 1798  | 92  | 125 | 04.04-12.10 | ■ |
| 2.0 (B 4204 S3)                 |        | Gasolina      | FWD | 1999  | 107 | 146 | 10.06-12.12 | ■ |
| 2.4 (B 5244 S5)                 | 01/05- | Gasolina      | FWD | 2435  | 103 | 140 | 01.04-12.10 | ■ |
| 2.4 (B 5244 S4)                 | 01/05- | Gasolina      | FWD | 2435  | 125 | 170 | 01.04-12.12 | ■ |
| 2.4 AWD                         |        | Gasolina      | 4WD | 2435  | 125 | 170 | 08.06-12.12 | ■ |
| T5 (B 5254 T3)                  | 01/05- | Gasolina      | FWD | 2521  | 162 | 220 | 01.04-12.07 | ■ |
| T5 AWD (B 5254 T3)              | 01/05- | Gasolina      | 4WD | 2521  | 162 | 220 | 04.04-12.07 | ■ |
| T5 (B 5254 T7)                  |        | Gasolina      | FWD | 2521  | 169 | 230 | 03.07-12.12 | ■ |
| T5 AWD (B 5254 T7)              |        | Gasolina      | 4WD | 2521  | 169 | 230 | 03.07-12.10 | ■ |
| 1.8 Flexfuel (B 4184 S8)        | 01/08- | Gasol./Etanol | FWD | 1798  | 92  | 125 | 01.06-12.10 | ■ |
| 2.0 F (B 4204 S4)               |        | Gasol./Etanol | FWD | 1999  | 107 | 146 | 10.09-12.12 | ■ |
| 1.6 D (D 4164 T)                |        | Diesel        | FWD | 1560  | 81  | 110 | 01.05-12.12 | ■ |
| D2 (D 4162 T)                   |        | Diesel        | FWD | 1560  | 84  | 115 | 10.10-12.12 | ■ |
| D3 (D 5204 T5)                  |        | Diesel        | FWD | 1984  | 110 | 150 | 10.10-12.12 | ■ |
| D4 (D 5204 T)                   |        | Diesel        | FWD | 1984  | 130 | 177 | 10.10-12.12 | ■ |
| D4 (D 4204 T2)                  |        | Diesel        | FWD | 1998  | 96  | 131 | 07.05-12.06 | ■ |
| 2.0 CDI (D 4204 T2)             |        | Diesel        | FWD | 1998  | 98  | 133 | 07.05-12.06 | ■ |
| 2.0 D (D 4204 T)                | 01/05- | Diesel        | FWD | 1998  | 100 | 136 | 01.04-12.10 | ■ |
| 2.4 CDI (D 5244 T9)             |        | Diesel        | FWD | 2400  | 120 | 163 | 03.07-12.10 | ■ |
| D5 (D 5244 T13)                 |        | Diesel        | FWD | 2400  | 132 | 179 | 03.06-12.10 | ■ |

# LISTA DE APLICACIONES - BUYERS GUIDE

|                                  |  |          |     |      |  |     |             |   |
|----------------------------------|--|----------|-----|------|--|-----|-------------|---|
| D5 (D 5244 T8)                   |  | Diesel   | FWD | 2400 | 132  | 179 | 03.06-12.10 | ■ |
| <b>V40 (526) 10.12-08.19</b>     |  |          |     |      | <b>Hatchback (Compact executive car-D Segment)</b>     |     |             |   |
| T4 AWD (B 4204 T21)              |  | Gasolina | 4WD | 1969 | 140  | 190 | 05.14-08.19 | ■ |
| T5 AWD (B 4204 T11)              |  | Gasolina | 4WD | 1969 | 180  | 245 | 05.14-08.19 | ■ |
| T5 AWD (B 4204 T41)              |  | Gasolina | 4WD | 1969 | 180  | 245 | 05.14-08.19 | ■ |
| T4 AWD (B 5204 T8)               |  | Gasolina | 4WD | 1984 | 132  | 180 | 07.13-12.15 | ■ |
| T5 AWD (B 5204 T9)               |  | Gasolina | 4WD | 1984 | 157  | 214 | 03.13-12.15 | ■ |
| T5 AWD                           |  | Gasolina | 4WD | 2497 | 183  | 249 | 01.14-12.15 | ■ |
| T5 AWD (B 5254 T12)              |  | Gasolina | 4WD | 2497 | 187  | 254 | 10.12-12.16 | ■ |
| <b>V40 II (525) 09.13-12.15</b>  |  |          |     |      | <b>Hatchback Van (Compact executive car-D Segment)</b> |     |             |   |
| 1.6 D2/ DRIVe (D 4162 T)         |  | Diesel   | FWD | 1560 | 84   | 114 | 09.13-12.15 | ■ |
| 2.0 D3 (D 5204 T6)               |  | Diesel   | FWD | 1984 | 110  | 150 | 09.13-12.15 | ■ |
| 2.0 D4 (D 5204 T4)               |  | Diesel   | FWD | 1984 | 130  | 177 | 09.13-12.14 | ■ |
| <b>V40 II (525) 03.12-</b>       |  |          |     |      | <b>Hatchback (Compact executive car-D Segment)</b>     |     |             |   |
| T2 (B 4154 T3)                   |  | Gasolina | FWD | 1498 | 90   | 122 | 02.15-08.19 | ■ |
| T2 (B 4154 T5)                   |  | Gasolina | FWD | 1498 | 90   | 122 | 02.15-08.19 | ■ |
| T3 (B 4154 T2)                   |  | Gasolina | FWD | 1498 | 112  | 152 | 02.15-08.19 | ■ |
| T3 (B 4154 T4)                   |  | Gasolina | FWD | 1498 | 112  | 152 | 02.15-08.19 | ■ |
| T2 GTDi (B 4164 T4)              |  | Gasolina | FWD | 1596 | 88   | 120 | 04.13-12.16 | ■ |
| T3 GTDi (B 4164 T3)              |  | Gasolina | FWD | 1596 | 110  | 150 | 03.12-12.16 | ■ |
| T4 GTDi (B 4164 T)               |  | Gasolina | FWD | 1596 | 132  | 180 | 03.12-12.16 | ■ |
| T4 GTDi AWD                      |  | Gasolina | 4WD | 1596 | 132  | 180 | 03.12-      | ■ |
| T4 (B 4164 T)                    |  | Gasolina | FWD | 1596 | 147  | 200 | 04.14-12.15 | ■ |
| 2.0 T                            |  | Gasolina | FWD | 1948 | 121  | 165 | 04.13-      | ■ |
| T2 (B 4204 T17)                  |  | Gasolina | FWD | 1969 | 90   | 122 | 02.15-08.19 | ■ |
| T2 (B 4204 T38)                  |  | Gasolina | FWD | 1969 | 90   | 122 | 02.15-08.19 | ■ |
| T3 (B 4204 T33)                  |  | Gasolina | FWD | 1969 | 112  | 152 | 02.15-08.19 | ■ |
| T3 (B 4204 T37)                  |  | Gasolina | FWD | 1969 | 112  | 152 | 02.15-08.19 | ■ |
| T4 (B 4204 T19)                  |  | Gasolina | FWD | 1969 | 140  | 190 | 08.15-08.19 | ■ |
| T5 (B 4204 T11)                  |  | Gasolina | FWD | 1969 | 180  | 245 | 05.14-08.19 | ■ |
| T5 (B 4204 T41)                  |  | Gasolina | FWD | 1969 | 180  | 245 | 05.14-08.19 | ■ |
| T5 Drive-E Polestar (B 4204 T11) |  | Gasolina | FWD | 1969 | 186  | 253 | 05.14-08.19 | ■ |
| T4 (B 5204 T8)                   |  | Gasolina | FWD | 1984 | 132  | 180 | 07.13-12.15 | ■ |
| T5                               |  | Gasolina | FWD | 1984 | 154  | 210 | 03.14-      | ■ |
| T5 (B 5204 T9)                   |  | Gasolina | FWD | 1984 | 157  | 214 | 03.13-12.15 | ■ |
| 2.4                              |  | Gasolina | FWD | 2435 | 125  | 170 | 10.13-      | ■ |
| T5 (B 5254 T14)                  |  | Gasolina | FWD | 2497 | 183  | 249 | 01.14-12.14 | ■ |
| T5 (B 5254 T12)                  |  | Gasolina | FWD | 2497 | 187  | 254 | 12.12-12.14 | ■ |
| D2 (D 4162 T)                    |  | Diesel   | FWD | 1560 | 84   | 114 | 03.12-12.16 | ■ |
| D2 (D 4204 T13)                  |  | Diesel   | FWD | 1969 | 88   | 120 | 02.15-08.19 | ■ |
| D2 (D 4204 T8)                   |  | Diesel   | FWD | 1969 | 88   | 120 | 02.15-08.19 | ■ |
| D3 (D 4204 T16)                  |  | Diesel   | FWD | 1969 | 110  | 150 | 04.15-08.19 | ■ |
| D3 (D 4204 T9)                   |  | Diesel   | FWD | 1969 | 110  | 150 | 04.15-08.19 | ■ |
| D4 (D 4204 T14)                  |  | Diesel   | FWD | 1969 | 140  | 190 | 05.14-08.19 | ■ |
| D4 Polestar (D 4204 T14)         |  | Diesel   | FWD | 1969 | 147  | 200 | 05.14-08.19 | ■ |
| D3 (D 5204 T6)                   |  | Diesel   | FWD | 1984 | 110  | 150 | 03.12-03.15 | ■ |
| D4 (D 5204 T4)                   |  | Diesel   | FWD | 1984 | 130  | 177 | 03.12-12.14 | ■ |
| <b>V50 (545) 12.03-12.12</b>     |  |          |     |      | <b>Estate (Luxury car-F Segment)</b>                   |     |             |   |
| 1.6 (B 4164 S3)                  |  | Gasolina | FWD | 1596 | 74   | 101 | 01.05-12.12 | ■ |

## LISTA DE APLICACIONES - BUYERS GUIDE

|                          |        |                  |     |      |     |     |             |   |
|--------------------------|--------|------------------|-----|------|-----|-----|-------------|---|
| 1.8 (B 4184 S11)         | 01/05- | Gasolina         | FWD | 1798 | 92  | 125 | 04.04-12.10 | ■ |
| 2.0 (B 4204 S3)          |        | Gasolina         | FWD | 1999 | 107 | 146 | 10.06-12.12 | ■ |
| 2.4 (B 5244 S5)          | 01/05- | Gasolina         | FWD | 2435 | 103 | 140 | 04.04-12.10 | ■ |
| 2.4 (B 5244 S4)          | 01/05- | Gasolina         | FWD | 2435 | 125 | 170 | 04.04-12.10 | ■ |
| 2.4 AWD (B 5244 S4)      |        | Gasolina         | 4WD | 2435 | 125 | 170 | 08.06-12.09 | ■ |
| T5 (B 5254 T3)           | 01/05- | Gasolina         | FWD | 2521 | 162 | 220 | 04.04-12.07 | ■ |
| T5 AWD (B 5254 T3)       | 01/05- | Gasolina         | 4WD | 2521 | 162 | 220 | 04.04-12.07 | ■ |
| T5 (B 5254 T7)           |        | Gasolina         | FWD | 2521 | 169 | 230 | 03.07-12.12 | ■ |
| T5 AWD (B 5254 T7)       |        | Gasolina         | 4WD | 2521 | 169 | 230 | 03.07-12.10 | ■ |
| 1.8 Bifuel               |        | Gasol./Gas (LPG) | FWD | 1798 | 93  | 126 | 01.09-09.10 | ■ |
| 1.8 Flexfuel (B 4184 S8) |        | Gasol./Etanol    | FWD | 1798 | 92  | 125 | 01.05-12.10 | ■ |
| 2.0 FlexFuel (B 4204 S4) |        | Gasol./Etanol    | FWD | 1999 | 107 | 146 | 01.10-12.12 | ■ |
| 1.6 D (D 4164 T)         |        | Diesel           | FWD | 1560 | 80  | 109 | 03.05-12.12 | ■ |
| 1.6 D (D 4164 T)         |        | Diesel           | FWD | 1560 | 81  | 110 | 01.05-12.11 | ■ |
| D2 (D 4162 T)            |        | Diesel           | FWD | 1560 | 84  | 114 | 01.10-12.12 | ■ |
| D3 (D 5204 T5)           |        | Diesel           | FWD | 1984 | 110 | 150 | 10.10-12.12 | ■ |
| D4 (D 5204 T)            |        | Diesel           | FWD | 1984 | 130 | 177 | 10.10-12.12 | ■ |
| 2.0 D4 (D 4204 T2)       |        | Diesel           | FWD | 1998 | 96  | 131 | 07.05-12.06 | ■ |
| 2.0 CDI (D 4204 T2)      |        | Diesel           | FWD | 1998 | 98  | 133 | 12.03-12.06 | ■ |
| 2.0 D (D 4204 T)         | 01/05- | Diesel           | FWD | 1998 | 100 | 136 | 04.04-12.10 | ■ |
| 2.4 TDi (D 5244 T9)      |        | Diesel           | FWD | 2400 | 120 | 163 | 05.07-12.10 | ■ |
| D5 (D 5244 T13)          |        | Diesel           | FWD | 2400 | 132 | 179 | 03.06-12.10 | ■ |
| D5 (D 5244 T8)           |        | Diesel           | FWD | 2400 | 132 | 179 | 03.06-12.10 | ■ |

### VOLVO (CHANGAN)

| <b>S40 06.06-</b> |  |          |     | <b>Saloon (Compact car-C Segment)</b> |     |     |             |   |
|-------------------|--|----------|-----|---------------------------------------|-----|-----|-------------|---|
| 2.4               |  | Gasolina | FWD | 2435                                  | 125 | 170 | 06.06-12.11 | ■ |
| 2.5               |  | Gasolina | FWD | 2521                                  | 162 | 220 | 06.06-12.10 | ■ |