

LISTA DE APLICACIONES - BUYERS GUIDE

181746

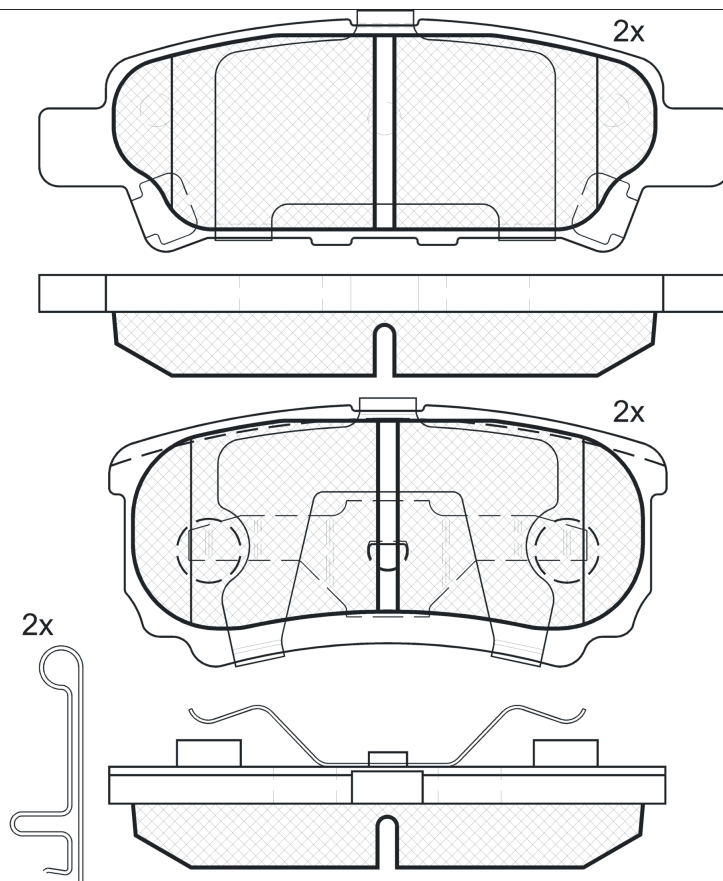


8 424073 094445

Qty: 944

Weight: 745

O.E.M.	MAKE
05191271AA	DODGE
05191271AB	DODGE
05191271AC	CHRYSLER
46 05A 336	MITSUBISHI
46 05A 337	MITSUBISHI
46 05A 479	MITSUBISHI
46 05A 493	MITSUBISHI
46 05A 558	MITSUBISHI
5191271AA	JEEP
5191271AB	JEEP
5191271AC	DODGE
MN 116 929	MITSUBISHI
MR 955 068	MITSUBISHI
MZ 690 187	MITSUBISHI
MZ 690 350	MITSUBISHI
MZ 690 586	MITSUBISHI



1 - Ref. 610401 E

181746

E 9 90R-01110/838



Akebono

85.45x40.1x16
105.85x35.65x16

WVA	FMSI
24014	D1037-7940
24015	

MAKE
CHRYSLER
DODGE
JEEP
MITSUBISHI
MITSUBISHI (BBDC)
MITSUBISHI (BJC)
PROTON



Trac.	CC	Kw	CV



Front / Rear

CHRYSLER

200 01.10-							Convertible (Executive car-E Segment)			
2.4 (ED3)	BRF	Gasolina	FWD	2360	129	175	01.11-12.14	■	■	■
2.4 (EDG)	BRF	Gasolina	FWD	2360	129	175	01.11-12.14	■	■	■
3.6 (ERB)	BRF	Gasolina	FWD	3604	211	287	09.11-12.12	■	■	■
3.6 Flexfuel	BRF	Gasol./Etanol	FWD	3604	211	287	09.10-	■	■	■
200 01.10-							Saloon (Executive car-E Segment)			
2.4 (ED3)	BRF	Gasolina	FWD	2360	129	175	01.11-12.15	■	■	■
2.4 (EDG)	BRF	Gasolina	FWD	2360	129	175	01.11-12.15	■	■	■
3.6 (ERB)	BRF	Gasolina	FWD	3604	211	287	09.11-12.12	■	■	■
3.6 Flexfuel	BRF	Gasol./Etanol	FWD	3604	211	287	09.10-	■	■	■
200 II 06.14-							Saloon (Executive car-E Segment)			
2.4 (EDG)	BRF	Gasolina	FWD	2360	129	175	07.14-	■	■	■
SEBRING III / CIRRUS (JS) 05.07-12.10							Convertible (Executive car-E Segment)			
2.4 VVT (ED3)		Gasolina	FWD	2360	125	170	07.07-12.10	■	■	■
2.4 (EDG)	disc brak.rear axle, vehicles without ABS	Gasolina	FWD	2360	128	174	05.07-12.10	■	■	■
2.4 AWD (EDG)	disc brak.rear axle, vehicles without ABS	Gasolina	4WD	2360	128	174	05.07-12.08	■	■	■
2.7 (EER)	-12/08	Gasolina	FWD	2736	137	186	07.07-12.10	■	■	■
2.7	disc brak.rear axle, vehicles without ABS	Gasolina	FWD	2736	139	189	05.07-12.10	■	■	■
2.7 Flexfuel (EER)	disc brak.rear axle, vehicles without ABS	Gasolina	FWD	2736	139	189	05.07-12.10	■	■	■
2.7 VVT (EER)	-12/08	Gasolina	FWD	2736	141	192	07.07-12.10	■	■	■

LISTA DE APLICACIONES - BUYERS GUIDE

3.5 AWD	BRF, disc brak.rear axle	Gasolina	FWD	3518	175	238	09.07-12.08	■	
2.0 CRD (ECD)	-12/08	Diesel	FWD	1968	103	140	07.07-12.10	■	
SEBRING III / CIRRUS (JS) 09.06-12.10					Saloon (Executive car-E Segment)				
2.0 VVT (ECN)	BRF	Gasolina	FWD	1998	115	156	07.07-12.10	■	
2.4 VVT (ED3)	BRF	Gasolina	FWD	2360	125	170	07.07-12.10	■	
2.4 VVT (EDG)	BRF	Gasolina	FWD	2360	125	170	07.07-12.10	■	
2.4 (EDG)	disc brak.rear axle, vehicles without ABS	Gasolina	FWD	2360	128	174	09.06-12.10	■	
2.4 AWD	disc brak.rear axle, vehicles without ABS	Gasolina	FWD	2360	128	174	09.07-12.08	■	
2.4 LX	01/07-	Gasolina	FWD	2395	110	150	09.06-	■	
2.7 VVT (EER)	BRF	Gasolina	FWD	2736	137	186	07.07-09.10	■	
2.7 (EER)	BRF	Gasolina	FWD	2736	138	188	07.07-12.10	■	
2.7	disc brak.rear axle, vehicles without ABS	Gasolina	FWD	2736	139	189	09.07-12.10	■	
2.7 Flexfuel	disc brak.rear axle, vehicles without ABS	Gasolina	FWD	2736	139	189	09.07-12.10	■	
2.7 Flexfuel	disc brak.rear axle, vehicles without ABS	Gasolina	FWD	2736	141	192	09.06-12.07	■	
2.7 VVT (EER)	-12/08, BRF	Gasolina	FWD	2736	141	192	09.06-12.10	■	
3.5 (EGF)	BRF, disc brak.rear axle	Gasolina	FWD	3518	175	238	09.06-12.08	■	
3.5 AWD	BRF	Gasolina	4WD	3518	175	238	11.07-12.10	■	
2.0 CRD (ECD)	BRF	Diesel	FWD	1968	103	140	07.07-12.10	■	
DODGE									
AVENGER II 06.07-					Saloon (Sports car-S Segment)				
2.0 (ECN)	vehicles with ABS, discØ 262	Gasolina	FWD	1998	115	156	06.07-12.11	■	
2.4 (EDG)	discØ 262, vehicles with ABS	Gasolina	FWD	2360	125	170	06.07-12.14	■	
2.4	discØ 262, vehicles with ABS	Gasolina	FWD	2360	127	173	01.12-12.14	■	
2.4 (ED3)	vehicles with ABS, discØ 262	Gasolina	FWD	2360	129	175	06.07-12.14	■	
2.4 (EDG)	vehicles with ABS, discØ 262	Gasolina	FWD	2360	129	175	06.07-12.14	■	
2.7 (EER)	vehicles with ABS, discØ 262	Gasolina	FWD	2736	137	186	06.07-12.11	■	
2.7 Flex-Fuel	disc brak.rear axle, vehicles without ABS	Gasolina	FWD	2736	141	192	06.07-12.10	■	
2.7	disc brak.rear axle, vehicles without ABS	Gasolina	FWD	2736	142	193	09.07-12.09	■	
3.5 4WD	01/07-	Gasolina	FWD	3495	175	238	06.07-	■	
3.5 4WD	01/07-	Gasolina	FWD	3495	175	238	06.07-	■	
3.5 (EGF)	disc brak.rear axle, vehicles without ABS	Gasolina	FWD	3518	175	238	06.07-12.09	■	
3.5 AWD (EGF)	disc brak.rear axle, vehicles without ABS	Gasolina	4WD	3518	175	238	06.07-12.11	■	
3.5 AWD (EGJ)	disc brak.rear axle, vehicles without ABS	Gasolina	4WD	3518	175	238	06.07-12.11	■	
3.6 Flex-Fuel		Gasolina	FWD	3604	211	287	09.10-	■	
3.6 (ERB)		Gasolina	FWD	3605	211	287	01.12-12.14	■	
2.7 Flex-Fuel (EER)	vehicles with ABS, discØ 262	Gasol./Etanol	FWD	2736	139	189	06.07-12.09	■	
2.0 CRD (ECD)	vehicles with ABS, discØ 262	Diesel	FWD	1968	103	140	06.07-12.11	■	
CALIBER 06.06-					Hatchback (Compact car-C Segment)				
1.8 (EBA)	BRF, disc brak.rear axle	Gasolina	FWD	1798	110	150	06.06-12.09	■	
2.0 (ECN)	BRF, disc brak.rear axle	Gasolina	FWD	1998	115	156	06.06-	■	
2.0 (ECN)	disc brak.rear axle, vehicles without ABS	Gasolina	FWD	1998	118	160	09.08-12.12	■	
2.4 (ED3)	BRF, disc brak.rear axle	Gasolina	FWD	2359	125	170	10.06-	■	
2.4 AWD (ED3)	BRF, disc brak.rear axle	Gasolina	4WD	2359	125	170	10.06-	■	
2.4 (ED3)	BRF, disc brak.rear axle	Gasolina	FWD	2359	126	172	10.06-	■	
2.4 Turbo (ED4)	BRF, disc brak.rear axle	Gasolina	FWD	2359	217	295	12.07-	■	

LISTA DE APLICACIONES - BUYERS GUIDE

2.4	disc brak.rear axle, vehicles without ABS	Gasolina	FWD	2360	128	174	09.09-12.12	■
2.4 AWD	BRF, disc brak.rear axle	Gasolina	FWD	2360	128	174	09.06-12.07	■
2.4	BRF, disc brak.rear axle	Gasolina	FWD	2360	213	290	09.07-12.09	■
2.4 SRT4 AWD (ED4)		Gasolina	4WD	2360	223	303	10.06-	■
2.0 CRD (ECD)	BRF, disc brak.rear axle	Diesel	FWD	1968	88	120	06.06-11.11	■
2.0 CRD (ECD)	BRF, disc brak.rear axle	Diesel	FWD	1968	100	136	06.06-11.11	■
2.0 CRD (ECD)	BRF, disc brak.rear axle	Diesel	FWD	1968	103	140	06.06-	■
2.0 CRD (ECE)	BRF, disc brak.rear axle	Diesel	FWD	1968	103	140	06.06-	■
2.2 CRD (ENE)	BRF, disc brak.rear axle	Diesel	FWD	2143	120	163	07.10-11.11	■
JEEP								
COMPASS (MK49) 08.06-						SUV (Compact SUV-J Segment)		
2.0 (ECN)	Rim 17, disc brak.rear axle	Gasolina	FWD	1998	115	156	05.11-	■
2.0 (ECN)	disc brak.rear axle	Gasolina	FWD	1998	118	160	08.06-	■
2.0 4x4 (ECN)	disc brak.rear axle	Gasolina	4WD	1998	118	160	08.06-	■
2.4 (ED3)		Gasolina	FWD	2360	125	170	08.06-	■
2.4 (EDG)		Gasolina	FWD	2360	125	170	08.06-	■
2.4 (ERZ)		Gasolina	FWD	2360	125	170	08.06-	■
2.4 4x4 (ED3)	Rim 17	Gasolina	4WD	2360	125	170	09.06-	■
2.4 4x4 (ERZ)	Rim 17	Gasolina	4WD	2360	125	170	09.06-	■
2.4 (ED3)		Gasolina	FWD	2360	128	174	08.06-	■
2.4 4x4		Gasolina	4WD	2360	128	174	08.06-	■
2.0 CRD 4x4 (ECD)	Rim 17	Diesel	4WD	1968	88	120	02.07-	■
2.0 CRD (ECD)	Rim 17	Diesel	FWD	1968	103	140	08.06-	■
2.0 CRD (ECE)	Rim 17	Diesel	FWD	1968	103	140	08.06-	■
2.0 CRD 4x4 (ECE)	Rim 17	Diesel	4WD	1968	103	140	09.06-	■
2.2 CRD (ENE)	Rim 17, disc brak.rear axle	Diesel	FWD	2143	100	136	05.11-	■
2.2 CRD 4x4 (ENE)	Rim 17, disc brak.rear axle	Diesel	4WD	2143	100	136	05.11-	■
2.2 CRD 4x4 (OM 651.925)	Rim 17, disc brak.rear axle	Diesel	4WD	2143	120	163	12.10-	■
PATRIOT (MK74) 02.07-						Closed Off-Road Vehicle (Compact SUV-J Segment)		
2.0 (ECN)	vehicles without ABS	Gasolina	FWD	1998	115	156	01.11-12.17	■
2.0 4x4 (ECN)		Gasolina	4WD	1998	115	156	02.07-12.17	■
2.0 (ECN)		Gasolina	FWD	1998	118	160	02.07-12.17	■
2.0 4x4 (ECN)		Gasolina	4WD	1998	118	160	02.07-12.12	■
2.4 (ED3)	vehicles with ABS, vehicles without ABS	Gasolina	FWD	2360	125	170	06.09-12.17	■
2.4 (EDG)	vehicles with ABS, vehicles without ABS	Gasolina	FWD	2360	125	170	06.09-12.17	■
2.4 4x4 (ED3)	BRF, vehicles without ABS	Gasolina	4WD	2360	125	170	01.08-12.17	■
2.4 4x4 (EDG)	BRF, vehicles without ABS	Gasolina	4WD	2360	125	170	01.08-12.17	■
2.4 (ED3)		Gasolina	FWD	2360	128	174	02.07-12.17	■
2.4 4x4 (ED3)	BRF	Gasolina	4WD	2360	128	174	02.07-12.17	■
2.4 Eco + 4x4 (ED3)	BRF, vehicles without ABS	Gasol./Gas (LPG)	4WD	2360	125	170	07.08-12.17	■
2.0 CRD (ECD)	01/08-, vehicles with ABS, vehicles without ABS	Diesel	FWD	1968	103	140	02.07-12.17	■
2.0 CRD (ECE)	01/08-, vehicles with ABS, vehicles without ABS	Diesel	FWD	1968	103	140	02.07-12.17	■
2.0 CRD 4x4 (ECD)	01/08-, vehicles without ABS	Diesel	4WD	1968	103	140	02.07-12.17	■
2.0 CRD 4x4 (ECE)	01/08-, vehicles without ABS	Diesel	4WD	1968	103	140	02.07-12.17	■
2.2 CRD (ENE)	BRF, vehicles without ABS	Diesel	FWD	2143	100	136	01.11-12.17	■
2.2 CRD 4x4 (ENE)	Rim 17, vehicles without ABS	Diesel	4WD	2143	100	136	01.11-12.17	■
2.2 CRD 4x4 (ENE)	Rim 17, vehicles without ABS	Diesel	4WD	2143	120	163	01.11-12.17	■
MITSUBISHI								

LISTA DE APLICACIONES - BUYERS GUIDE

LANCER III-IV (CJ_, CP_, CK_) 09.95-12.03					Saloon (Compact car-C Segment)			
1.8		Gasolina	FWD	1834	91	124	09.95-08.03	■
EVO V (CP9A) (4G63 TURBO)		Gasolina	4WD	1997	206	280	01.98-12.98	■
2.0		Gasolina	FWD	1999	92	125	09.95-08.03	■
2.4 GDI	01/03-	Gasolina	FWD	2351	108	147	09.95-08.03	■
LANCER IV (CS_W, CT_W) 09.03-12.08					Estate (Compact car-C Segment)			
1.6 (4G18)	-12/06	Gasolina	FWD	1584	72	98	09.03-10.08	■
1.8 GDi T	-12/06	Gasolina	FWD	1834	121	165	09.03-10.08	■
2.0 (CS9W) (4G63 (DOHC 16V))	-12/06	Gasolina	FWD	1997	99	135	09.03-12.07	■
2.0	-12/06	Gasolina	FWD	1999	92	125	08.05-10.08	■
2.4 GDI	-12/06	Gasolina	FWD	2350	98	133	09.03-10.08	■
LANCER IV / CEDIA (CS_A, CT_A) 01.00-12.13					Saloon (Compact car-C Segment)			
1.3 (4G13 (16V))	-12/06	Gasolina	FWD	1299	60	82	09.03-12.13	■
1.3		Gasolina	FWD	1299	65	88	09.00-08.13	■
1.6 (CS3A) (4G18)	-12/06	Gasolina	FWD	1584	72	98	09.03-12.13	■
1.6 (CS3A) (4G18)		Gasolina	FWD	1584	77	105	06.00-12.07	■
1.8	-12/06	Gasolina	FWD	1834	88	121	09.03-	■
1.8 SEi Limited	-12/06	Gasolina	FWD	1834	91	124	09.03-03.07	■
2.0	-12/06	Gasolina	FWD	1997	85	116	09.03-	■
2.0 (CS9A) (4G63 (DOHC 16V))	-12/06	Gasolina	FWD	1997	99	135	12.03-12.13	■
EVO VIII - 260 (CT9A) (4G63 TURBO)		Gasolina	4WD	1997	195	265	03.04-07.05	■
EVO IX (CT9A) (4G63 TURBO)	01/07-	Gasolina	4WD	1997	206	280	01.05-09.07	■
2.0 i (4B11)		Gasolina	FWD	1998	113	154	10.07-12.13	■
2.0	disc brak.rear axle	Gasolina	FWD	1999	84	115	01.10-	■
2.0		Gasolina	FWD	1999	85	116	08.03-04.06	■
2.0 (4G94)		Gasolina	FWD	1999	89	121	09.01-12.07	■
2.0 (CS6A) (4G94)	-12/06	Gasolina	FWD	1999	92	125	08.03-12.13	■
2.0 GDi (CS6A) (4G94 (GDI))	-12/06	Gasolina	FWD	1999	92	125	09.03-12.13	■
2.4	-12/06	Gasolina	FWD	2350	108	147	09.03-	■
2.4 iVRX	-12/06	Gasolina	FWD	2378	115	156	08.05-	■
LANCER V EX / GALANT FORTIS / LANCER SERIE R / LANCER FORTIS (CY_A, CZ_A) 03.07-					Saloon (Compact car-C Segment)			
1.5 (4A91)		Gasolina	FWD	1499	80	109	06.08-	■
1.6 MIVEC (4A92)		Gasolina	FWD	1590	86	117	05.10-	■
1.8 MIVEC (CY3A, CY6A) (4B10)		Gasolina	FWD	1798	102	139	03.09-	■
1.8 MIVEC (CY3A, CY6A) (4J10)		Gasolina	FWD	1798	102	139	03.09-	■
1.8 (CY3A, CY6A) (4B10)		Gasolina	FWD	1798	103	140	05.10-	■
1.8 (CY3A, CY6A) (4B10)		Gasolina	FWD	1798	105	143	02.08-	■
1.8 Mivec (4B10)		Gasolina	FWD	1798	110	150	11.09-	■
2.0 (4B11)		Gasolina	FWD	1998	108	147	01.09-	■
2.0 (CY4A) (4B11)		Gasolina	FWD	1998	110	150	01.13-	■
2.0 i (CY4A) (4B11)		Gasolina	FWD	1998	113	154	04.07-	■
2.0 i 4WD (CZ4A) (4B11)		Gasolina	4WD	1998	113	154	03.07-	■
2.0 Mivec		Gasolina	FWD	1998	115	155	09.07-	■
2.0 i (CY4A)		Gasolina	FWD	1998	118	160	10.09-	■
2.0 i Ralliart 4WD (CY4A) (4B11-T/C)		Gasolina	4WD	1998	177	241	10.08-	■
2.4 i		Gasolina	FWD	2360	125	170	10.08-	■
1.5 Bifuel (4A91)		Gasol./Gas (LPG)	FWD	1499	80	109	02.10-	■
1.8 Bifuel (CY3A, CY6A) (4B10)		Gasol./Gas (LPG)	FWD	1798	105	143	01.10-	■

LISTA DE APLICACIONES - BUYERS GUIDE

1.8 Flexfuel (CY3A)		Gasol./Etanol	FWD	1798	100	136	01.10-	■	
1.8 Flexfuel (CY3A, CY6A) (4B10)		Gasol./Etanol	FWD	1798	103	140	03.09-	■	
1.8 Flexfuel (CY3A) (4B10)		Gasol./Etanol	FWD	1798	105	143	01.10-	■	
1.8 DI-D (4N13)		Diesel	FWD	1798	85	116	05.10-	■	
1.8 DI-D (CY9A) (4N13)		Diesel	FWD	1798	110	150	06.10-	■	
2.0 DI-D (CY8A) (BKD)		Diesel	FWD	1968	103	140	01.08-	■	
2.0 DI-D (CY8A) (BWC)		Diesel	FWD	1968	103	140	01.08-	■	
LANCER V EX Sportback / GALANT FORTIS Sportback (CX_A) 10.07-							Hatchback (Compact car-C Segment)		
1.5 (4A91)		Gasolina	FWD	1499	80	109	06.08-	■	
1.6 MIVEC (4A92)		Gasolina	FWD	1590	86	117	05.10-	■	
1.8 MIVEC (CX3A, CX6A) (4B10)		Gasolina	FWD	1798	103	140	03.09-	■	
1.8 (CX3A) (4B10)		Gasolina	FWD	1798	105	143	06.08-	■	
2.0 (4B11)	disc brak.rear axle	Gasolina	FWD	1998	110	150	09.10-	■	
2.0 Ralliart 4WD (CX4A) (4B11-T/C)		Gasolina	4WD	1998	177	241	10.08-	■	
1.5 Bifuel (4A91)	sports package, not sports package	Gasol./Gas (LPG)	FWD	1499	80	109	03.10-	■	
1.8 Bifuel (CX3A, CX6A) (4B10)		Gasol./Gas (LPG)	FWD	1798	105	143	02.10-	■	
1.8 Flex (CX3A, CX6A) (4B10)		Gasol./Etanol	FWD	1798	103	140	03.09-	■	
1.8 DI-D (4N13)		Diesel	FWD	1798	85	116	05.10-	■	
1.8 DI-D (CX9A) (4N13)		Diesel	FWD	1798	110	150	06.10-	■	
2.0 DI-D (CX8A) (BKD)		Diesel	FWD	1968	103	140	06.08-	■	
2.0 DI-D (CX8A) (BWC)		Diesel	FWD	1968	103	140	06.08-	■	
LANCER CARGO IV (CS_W, CS_V) 01.03-06.08							Estate Van (Compact car-C Segment)		
1.6 (CS3W) (4G18)	-12/06	Gasolina	FWD	1584	72	98	09.03-06.08	■	
2.0 (CS9W)		Gasolina	FWD	1997	99	135	09.03-06.08	■	
OUTLANDER / AIRTREK (CU_W) 03.01-07.08							SUV (Compact SUV-J Segment)		
2.0 4WD (CU2W)	01/05-	Gasolina	4WD	1997	93	126	05.03-10.06	■	
2.0 (CU2W) (4G63 (DOHC 16V))	01/05-	Gasolina	FWD	1997	100	136	05.03-10.06	■	
2.0 4WD (CU2W) (4G63 (DOHC 16V))	01/05-	Gasolina	4WD	1997	100	136	05.03-10.06	■	
2.0 Turbo 4WD (CU2W) (4G63-T (DOHC 16V))	01/05-	Gasolina	4WD	1997	148	201	04.04-10.06	■	
2.0 Turbo-R 4WD (CU2W) (4G63 TURBO)	01/05-	Gasolina	4WD	1997	177	241	01.02-10.06	■	
2.4 4WD (CU4W) (4G64 (16V))	01/05-	Gasolina	4WD	2351	102	139	05.03-10.06	■	
2.4 4WD (CU5W) (4G69)	01/05-	Gasolina	4WD	2378	118	160	11.03-09.07	■	
2.4 HDD Mivec (CU5W) (4G69)	01/05-, Europe, Europe	Gasolina	FWD	2378	118	160	03.01-12.06	■	
2.4 4WD (CU5W) (4G69)	01/05-	Gasolina	4WD	2378	119	162	05.03-09.07	■	
2.4		Gasolina	FWD	2378	121	165	10.05-12.06	■	
OUTLANDER III / PHEV III (GF_W, GG_W) 11.10-							SUV Van (Compact SUV-J Segment)		
Di-D 4WD (GF6W)	Europe	Diesel	4WD	2268	110	150	04.13-	■	
OUTLANDER III / PHEV III (GG_W, GF_W, ZJ, ZL, ZK) 11.10-							SUV (Compact SUV-J Segment)		
2.0 (4B11)	Europe	Gasolina	FWD	1998	105	143	10.12-12.22	■	
2.0	Europe	Gasolina	FWD	1998	106	144	10.12-	■	
2.0 (GF2W) (4B11)	Europe	Gasolina	FWD	1998	107	146	10.12-12.22	■	
2.0 4WD (GF7W, GF2W) (4B11)	Europe	Gasolina	4WD	1998	107	146	10.12-12.22	■	
2.0 (GF7W) (4J11)	Europe	Gasolina	FWD	1998	110	150	08.12-12.22	■	
2.0 4WD (GF7W) (4J11)	Europe	Gasolina	4WD	1998	110	150	08.12-12.22	■	
2.0 (GF7W) (4J11)	Europe	Gasolina	FWD	1998	112	152	04.13-12.22	■	
2.0 (GF7W)	Europe	Gasolina	FWD	1998	118	160	03.13-12.18	■	

LISTA DE APLICACIONES - BUYERS GUIDE

2.4 4WD (4B12)	Europe	Gasolina	4WD	2360	123	167	10.12-12.22	■	
2.4 4WD (GF8W) (4B12)	Europe	Gasolina	4WD	2360	124	169	10.12-12.22	■	
2.4 4WD (GF8W) (4J12)	Europe	Gasolina	4WD	2360	124	169	10.12-12.22	■	
3.0 4WD (6B31)	Europe	Gasolina	4WD	2998	169	230	03.14-12.22	■	
2.0 Hybrid 4WD (GG2W) (4B11)	Europe	Gasol./el éc.	4WD	1998	89	121	12.12-	■	
2.0 Hybrid 4WD (GG2W) (S61)	Europe	Gasol./el éc.	4WD	1998	89	121	12.12-	■	
2.0 Hybrid 4WD (GG2W) (Y61)	Europe	Gasol./el éc.	4WD	1998	89	121	12.12-	■	
2.0 Hybrid 4WD (GG2W) (4B11)	Europe	Gasol./el éc.	4WD	1998	139	189	12.12-	■	
2.0 Hybrid 4WD (GG2W) (S61)	Europe	Gasol./el éc.	4WD	1998	139	189	12.12-	■	
2.0 Hybrid 4WD (GG2W) (Y61)	Europe	Gasol./el éc.	4WD	1998	139	189	12.12-	■	
2.0 Hybrid 4WD (GG2W) (4B11)	Europe	Gasol./el éc.	4WD	1998	147	200	01.14-12.21	■	
2.0 Hybrid 4WD (GG2W) (S61)	Europe	Gasol./el éc.	4WD	1998	147	200	01.14-12.21	■	
2.0 Hybrid 4WD (GG2W) (Y61)	Europe	Gasol./el éc.	4WD	1998	147	200	01.14-12.21	■	
2.2 DI-D (GF6W) (4N14)	Europe	Diesel	FWD	2268	110	150	08.12-12.22	■	
2.2 DI-D 4WD (GF6W) (4N14)	Europe	Diesel	4WD	2268	110	150	08.12-12.22	■	
MITSUBISHI (BBDC)									
OUTLANDER (CU_W) 01.04-						Hatchback (Compact SUV-J Segment)			
2.4		Gasolina	FWD	2350	99	133	07.06-	■	
MITSUBISHI(BJC)									
OUTLANDER 01.04-01.07						Hatchback (Compact SUV-J Segment)			
2.4		Gasolina	FWD	2350	99	133	01.04-03.06	■	
2.4		Gasolina	FWD	2350	99	133	01.04-03.06	■	
PROTON									
INSPIRA 10.10-						Saloon (Compact car-C Segment)			
1.8		Gasolina	FWD	1798	103	140	10.10-	■	
2.0		Gasolina	FWD	1998	110	150	10.10-	■	