

# LISTA DE APLICACIONES - BUYERS GUIDE

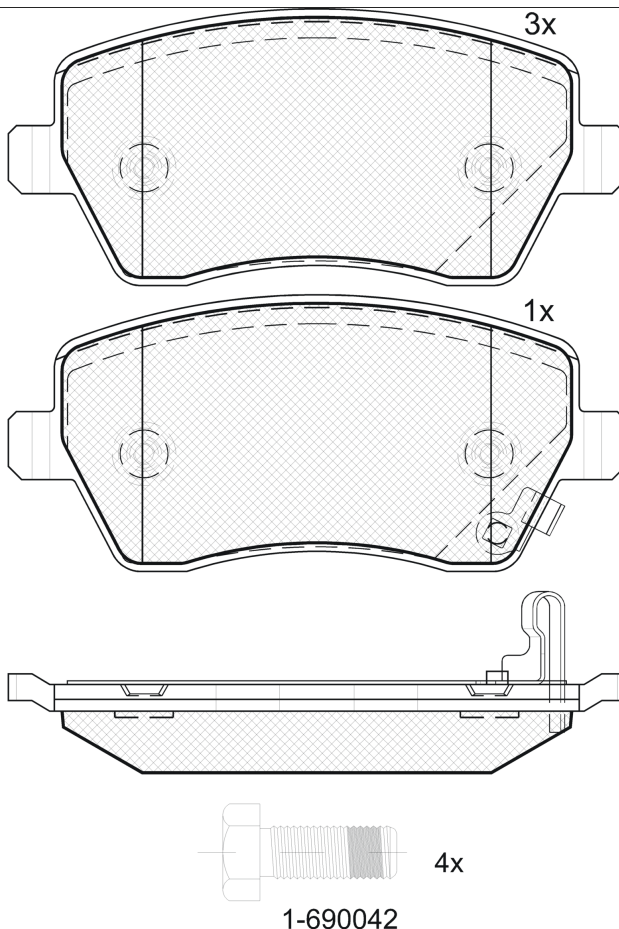
## 181748



Qty: 300

Weight: 1.265

O.E.M.	MAKE
4 701 305	OPEL
47 08 239	VAUXHALL
47 11 040	OPEL
55810-62J00	SUZUKI
55810-62J00GAL	SUZUKI
55810-62J01	SUZUKI
55810-62J20	SUZUKI
55810-62J30	SUZUKI
55810-62J31	SUZUKI
55810-62J50	SUZUKI
86 60 000 751	RENAULT
86 60 004 524	RENAULT
93 192 962	VAUXHALL
93 196 814	VAUXHALL
95 515 496	VAUXHALL



## 181748

E 9 90R-01111/754



Trw

116.4x52.4x17.3

WVA	FMSI
23973	D1491-8691
24403	
MAKE	
CHEVROLET	
OPEL	
SUZUKI	
SUZUKI (CHANGAN)	
VAUXHALL	



Trac.	CC	Kw	CV
-------	----	----	----



Front / Rear

### CHEVROLET

AGILE 10.09-				Hatchback (Supermini car-B Segment)				
1.4	Gasolina	FWD	1389	68	92	10.09-	■	
1.4 Flex	Gasolina	FWD	1389	71	97	10.09-	■	

### OPEL

AGILA B (H08) 04.08-				Hatchback (City car-A Segment)				
1.0 (F68) (K10B)	Gasolina	FWD	996	48	65	04.08-06.11	■	
1.0 (F68) (K10B)	Gasolina	FWD	996	50	68	07.11-07.14	■	
1.2 (F68) (K12B)	Gasolina	FWD	1242	63	86	04.08-10.12	■	
1.2 (F68) (K12B)	Gasolina	FWD	1242	69	94	04.10-10.14	■	
1.0 LPG (F68) (K10B)	Gasol./Gas (LPG)	FWD	996	48	65	01.10-06.11	■	
1.2 LPG (F68) (K12B)	Gasol./Gas (LPG)	FWD	1242	63	86	04.08-10.10	■	
1.3 CDTI (F68) (D13A)	Diesel	FWD	1248	55	75	04.08-04.10	■	
1.3 CDTI (F68) (Z 13 DTJ)	Diesel	FWD	1248	55	75	04.08-04.10	■	

### SUZUKI

SPLASH (EX) 01.08-				Hatchback (City car-A Segment)				
1.0 (A5B310) (K10B)	Gasolina	FWD	996	48	65	01.08-	■	
1.0 (A5B310) (K10B)	Gasolina	FWD	996	50	68	06.11-	■	
1.2 (A5B412) (K12B)	Gasolina	FWD	1242	63	86	01.08-	■	
1.2 VVT (A5B412) (K12B)	Gasolina	FWD	1242	66	90	06.11-	■	
1.2 VVT (A5B412, XB32S) (K12B)	Gasolina	FWD	1242	67	91	08.12-	■	
1.2 VVT (A5B412) (K12B)	Gasolina	FWD	1242	69	94	09.10-	■	

# LISTA DE APLICACIONES - BUYERS GUIDE

1.2 LPG (K12B)		Gasol./Gas (LPG)	FWD	1242	63	86	04.08-12.14	■	
1.3 CDTi (A5B413D) (D13A)		Diesel	FWD	1248	55	75	01.08-	■	
1.3 CDTi (A5B413D) (Z 13 DTJ)		Diesel	FWD	1248	55	75	01.08-	■	
<b>SWIFT III (MZ, EZ) 02.05-</b>							<b>Hatchback (Supermini car-B Segment)</b>		
1.3 4x4 (RS413, ZD11S) (M13A)	-12/10	Gasolina	4WD	1328	66	90	01.06-06.12	■	
1.3 (RS413, ZC11S) (M13A)	-12/10	Gasolina	FWD	1328	68	92	02.05-06.12	■	
1.3 4x4 (RS413, ZD11S) (M13A)	-12/10	Gasolina	4WD	1328	68	92	02.05-06.12	■	
1.5 4x4 (RS 415, ZD21S) (M15A)	-12/10	Gasolina	4WD	1490	74	101	02.05-01.11	■	
1.5 (RS415, ZC21S) (M15A)	-12/10	Gasolina	FWD	1490	75	102	02.05-12.11	■	
1.6 (RS416, RR 416, ZC31S) (M16A)	-12/10	Gasolina	FWD	1586	92	125	05.06-12.15	■	
1.3 LPG (RS 413) (M13A)		Gasol./Gas (LPG)	FWD	1328	68	92	09.08-12.10	■	
1.3 DDiS (RS413D) (Z13DT)	-12/10	Diesel	FWD	1248	51	69	08.05-06.12	■	
1.3 DDiS (RS413D) (D13A)	-12/10	Diesel	FWD	1248	55	75	08.05-12.11	■	
1.3 DDiS (RS413D) (Z 13 DTJ)	-12/10	Diesel	FWD	1248	55	75	08.05-12.11	■	
<b>SUZUKI (CHANGAN)</b>									
<b>SWIFT (EZ, MZ) 05.05-</b>							<b>Hatchback (Supermini car-B Segment)</b>		
1.3		Gasolina	FWD	1301	63	86	05.05-12.12	■	
<b>VAUXHALL</b>									
<b>AGILA Mk II (B) (H08) 01.08-11.14</b>							<b>Hatchback (City car-A Segment)</b>		
1.0 12V (K10B)		Gasolina	FWD	996	48	65	01.08-11.14	■	
1.0 LPG		Gasolina	FWD	996	48	65	01.08-	■	
1.0 i (K10B)		Gasolina	FWD	996	50	68	08.11-11.14	■	
1.2		Gasolina	FWD	1242	58	79	05.09-	■	
1.2 i 16V (K12B)		Gasolina	FWD	1242	63	86	01.08-11.14	■	
1.2 LPG		Gasolina	FWD	1242	63	86	04.08-	■	
1.2 i 16V (K12B)		Gasolina	FWD	1242	69	94	01.08-11.14	■	
1.3 CDTi (D13A)		Diesel	FWD	1248	55	75	01.08-11.14	■	
1.3 CDTi (Z 13 DTJ)		Diesel	FWD	1248	55	75	01.08-11.14	■	