

# LISTA DE APLICACIONES - BUYERS GUIDE

## 181752

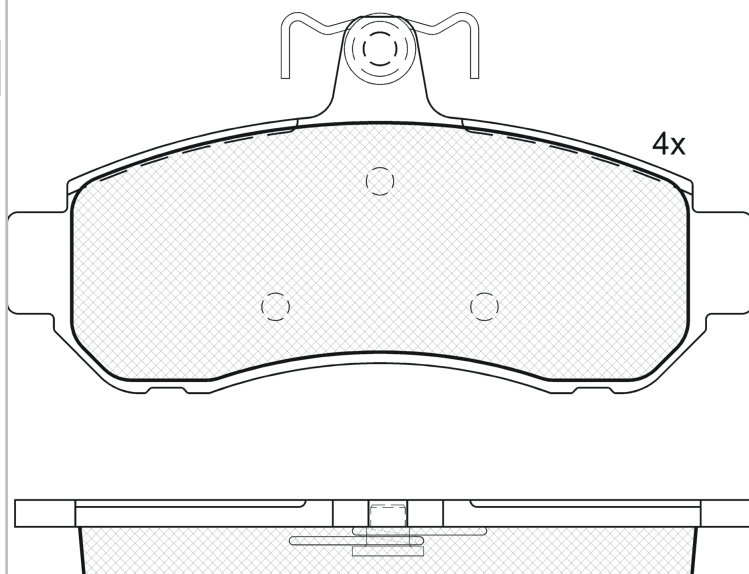


8 424073 095268

Qty: 300

Weight: 1.290

O.E.M.	MAKE
MR 908 192	MITSUBISHI



## 181752



Lucas - Girling

136x68.58x14

WVA	FMSI
22063	D854-7731
MAKE	
MITSUBISHI	



Trac.	CC	Kw	CV
-------	----	----	----



Front / Rear

### MITSUBISHI

DIAMANTE (F_W) 06.92-03.99						Estate (Luxury car-F Segment)		
3.0 (F36W) (6G72 (SOHC 24V))		Gasolina	FWD	2972	140	190	10.97-12.01	■
3.5 (KE8H, KF8H)		Gasolina	FWD	3497	163	222	04.96-03.99	■
DIAMANTE (F2_A, F1_A) 02.90-07.96						Saloon (Luxury car-F Segment)		
3.0		Gasolina	FWD	2972	177	241	10.95-07.96	■
3.5		Gasolina	FWD	3497	157	214	10.95-07.96	■
DIAMANTE II (F4_A, F3_A) 11.94-11.05						Saloon (Luxury car-F Segment)		
2.5 (F31A) (6G73)	-12/00	Gasolina	FWD	2497	147	200	09.99-08.04	■
3.0 (F36A)	-12/00	Gasolina	FWD	2972	140	190	06.99-09.02	■
3.5	-12/99	Gasolina	FWD	3497	163	222	06.99-09.02	■
3.5	-12/00	Gasolina	FWD	3497	163	222	06.99-09.02	■
MAGNA II (TR) 03.91-02.94						Saloon (Executive car-E Segment)		
2.6		Gasolina	FWD	2554	114	155	05.91-02.94	■
2.6		Gasolina	FWD	2555	85	116	10.91-02.94	■
MAGNA III (TE) 04.96-06.97						Estate (Executive car-E Segment)		
3.0 i (6G72 (SOHC 24V))		Gasolina	FWD	2972	140	190	04.96-06.97	■
3.0 i (6G72 (SOHC 24V))		Gasolina	FWD	2972	140	190	06.97-03.99	■
3.0 i (6G72 (SOHC 24V))		Gasolina	FWD	2972	140	190	03.99-08.00	■
3.0 i		Gasolina	FWD	2972	140	190	08.00-07.02	■
3.0 GDi		Gasolina	FWD	2972	158	215	06.98-03.99	■
3.0 GDi		Gasolina	FWD	2972	158	215	06.99-08.00	■
3.5		Gasolina	FWD	3497	147	200	03.99-08.00	■
3.5		Gasolina	FWD	3497	147	200	06.99-08.00	■

## LISTA DE APLICACIONES - BUYERS GUIDE

3.5 i 4WD		Gasolina	4WD	3497	155	211	08.00-05.03	■	
3.5 i		Gasolina	FWD	3497	157	214	10.04-07.05	■	
3.5 i Sports VR-X		Gasolina	FWD	3497	163	222	08.00-05.03	■	
<b>MAGNA III (TE) 04.96-06.97</b>					<b>Saloon (Executive car-E Segment)</b>				
3.5		Gasolina	FWD	3497	157	213	04.96-06.97	■	
<b>VERADA II (KR) 05.91-02.94</b>					<b>Estate (Executive car-E Segment)</b>				
2.6		Gasolina	FWD	2555	114	155	05.91-10.92	■	
2.8		Gasolina	FWD	2784	125	170	06.92-02.94	■	
<b>VERADA II (KR) 05.91-03.94</b>					<b>Saloon (Executive car-E Segment)</b>				
2.6 i		Gasolina	FWD	2555	114	155	05.91-02.94	■	
3.0 i		Gasolina	FWD	2972	125	170	07.91-02.94	■	
<b>VERADA III (KJ) 08.00-05.03</b>					<b>Saloon (Executive car-E Segment)</b>				
3.5		Gasolina	FWD	3497	163	222	08.00-05.03	■	
3.5 i (6G74 (SOHC 24V))		Gasolina	FWD	3497	163	222	06.03-10.04	■	