

LISTA DE APLICACIONES - BUYERS GUIDE

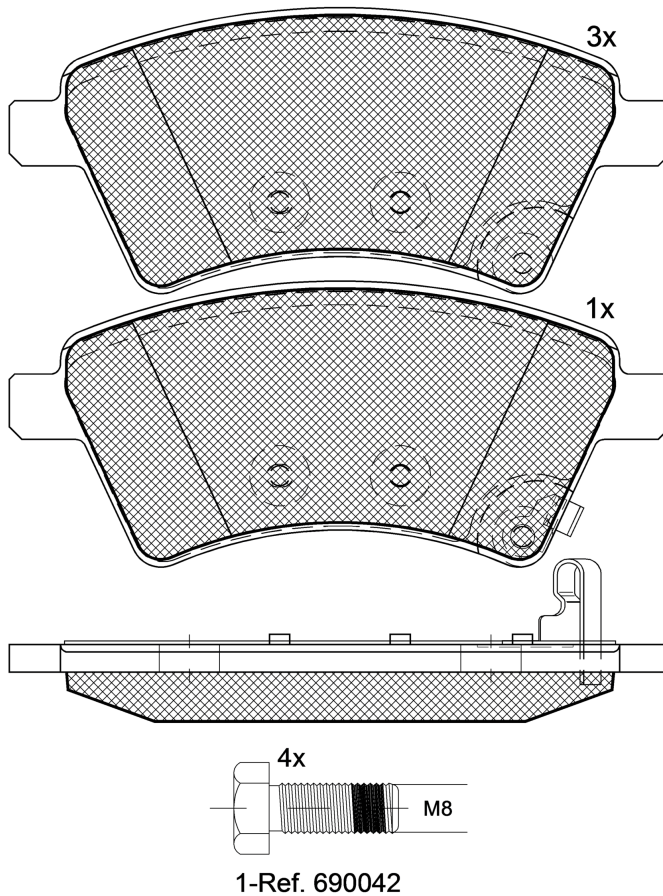
181758-700



Qty: 300

Weight: 1.425

O.E.M.	MAKE
55810-79J00	SUZUKI
55810-79J00-000	SUZUKI
55810-79J10	SUZUKI
55810-79J10-000	SUZUKI
7 174 285 3	FIAT
7 175 003 3	FIAT



1-Ref. 690042

181758-700

E 9 90R-01111/1433



Trw

131.5x56.88x16

VVA	FMSI
24391	D2327-9560
24392	
MAKE	
FIAT	
SUZUKI	
SUZUKI (CHANGAN)	



Trac.	CC	Kw	CV
-------	----	----	----



Front / Rear

FIAT

SEDICI (189_) 06.06-10.14

SUV (Subcompact CUV-B Segment)

Model	Country	Fuel	Drivetrain	CC	Kw	CV	Period	Front	Rear
1.5 Rusia		Gasolina	FWD	1495	73	99	06.06-10.14	■	■
1.6 16V (M16A)	Hungary	Gasolina	FWD	1586	79	107	06.06-10.14	■	■
1.6 16V 4x4 (M16A)	Hungary	Gasolina	4WD	1586	79	107	06.06-10.14	■	■
1.6 16V (M16A)	Hungary	Gasolina	FWD	1586	88	120	06.06-10.14	■	■
1.6 16V 4x4 (M16A)		Gasolina	4WD	1586	88	120	06.06-10.14	■	■
1.9 D Multijet (D19AA)	Hungary	Diesel	FWD	1910	88	120	06.06-10.11	■	■
1.9 D Multijet 4x4 (D19AA)	Hungary	Diesel	4WD	1910	88	120	06.06-10.11	■	■
2.0 D Multijet (D20AA)		Diesel	FWD	1956	99	135	06.06-10.14	■	■
2.0 D Multijet 4x4 (D20AA)		Diesel	4WD	1956	99	135	06.06-10.14	■	■

SUZUKI

SX4 (EY, GY) 06.06-

Hatchback (Supermini car-B Segment)

Model	Country	Fuel	Drivetrain	CC	Kw	CV	Period	Front	Rear
1.5 (RW 415) (M15A)	Hungary	Gasolina	FWD	1490	73	99	06.06-07.10	■	■
1.5 VVTi (YA11S) (M15A)		Gasolina	FWD	1490	81	110	07.07-12.15	■	■
1.5 VVT (RW415, YA11S) (M15A)	Hungary	Gasolina	FWD	1490	82	112	07.10-	■	■
1.5 VVT 4x4 (RW 415) (M15A)		Gasolina	4WD	1490	82	112	07.10-	■	■
1.6		Gasolina	FWD	1586	74	101	06.06-	■	■
1.6 VVT (RW416, YA21S) (M16A)	Hungary	Gasolina	FWD	1586	79	107	06.06-	■	■
1.6 VVT 4x4 (RW416) (M16A)		Gasolina	4WD	1586	79	107	06.06-	■	■
1.6 VVT (M16A)		Gasolina	FWD	1586	82	112	11.10-12.15	■	■
1.6 VVT 4x4 (RW416) (M16A)	Hungary	Gasolina	4WD	1586	82	112	07.09-	■	■
1.6 VVT (RW416, YA21S) (M16A)	Hungary	Gasolina	FWD	1586	88	120	07.09-	■	■
1.6 VVT 4x4 (RW416) (M16A)		Gasolina	4WD	1586	88	120	07.09-	■	■

LISTA DE APLICACIONES - BUYERS GUIDE

2.0 (RW415, RW416, RW420, YA41S) (J20A)		Gasolina	FWD	1995	107	146	06.06-	■	
2.0 4x4 (RW415, RW416, RW420, YB41S) (J20A)		Gasolina	4WD	1995	107	146	06.06-	■	
2.0 (RW415, RW416, RW420, YA41S)		Gasolina	FWD	1995	112	152	01.10-	■	
2.0 16V 4x4 (RW415, RW416, RW420) (J20B)		Gasolina	4WD	1995	112	152	01.10-	■	
1.6 LPG (M16A)		Gasol./Gas (LPG)	FWD	1586	79	107	06.06-12.12	■	
1.6 DDIS (RW416D) (9HX)	Hungary	Diesel	FWD	1560	66	90	04.07-	■	
1.9 DDIS (RW419D) (D19AA)		Diesel	FWD	1910	88	120	06.06-	■	
1.9 DDIS 4x4 (RW419D) (D19AA)		Diesel	4WD	1910	88	120	06.06-	■	
2.0 DDIS (RW420D) (D20AA)	Hungary	Diesel	FWD	1956	99	135	07.09-	■	
2.0 DDIS 4x4 (RW420D) (D20AA)	Hungary	Diesel	4WD	1956	99	135	07.09-	■	
SX4 (GY, RW) 10.07-					Saloon (Supermini car-B Segment)				
1.6		Gasolina	FWD	1586	74	101	10.07-	■	
1.6		Gasolina	FWD	1586	75	102	10.07-	■	
1.6 (RW416) (M16A)		Gasolina	FWD	1586	79	107	10.07-	■	
1.6 AWD (RW 416) (M16A)		Gasolina	4WD	1586	79	107	10.07-12.11	■	
1.6 (RW416) (M16A)		Gasolina	FWD	1586	88	120	10.07-	■	
1.6 AWD (RW 416)		Gasolina	4WD	1586	88	120	10.07-	■	
2.0 (RW415, RW416, RW420, YA41S) (J20A)		Gasolina	FWD	1995	107	146	10.07-01.10	■	
2.0 (RW415, RW416, RW420, YA41S)		Gasolina	FWD	1995	112	152	01.10-	■	
SUZUKI (CHANGAN)									
SX4 04.07-12.17					Hatchback (Supermini car-B Segment)				
1.6		Gasolina	FWD	1586	80	107	04.07-	■	
1.8		Gasolina	FWD	1796	92	123	04.07-	■	
SX4 11.06-					Saloon (Supermini car-B Segment)				
1.6	01/07-	Gasolina	FWD	1586	80	107	11.06-	■	
1.8	01/07-	Gasolina	FWD	1796	92	123	11.06-	■	