

LISTA DE APLICACIONES - BUYERS GUIDE

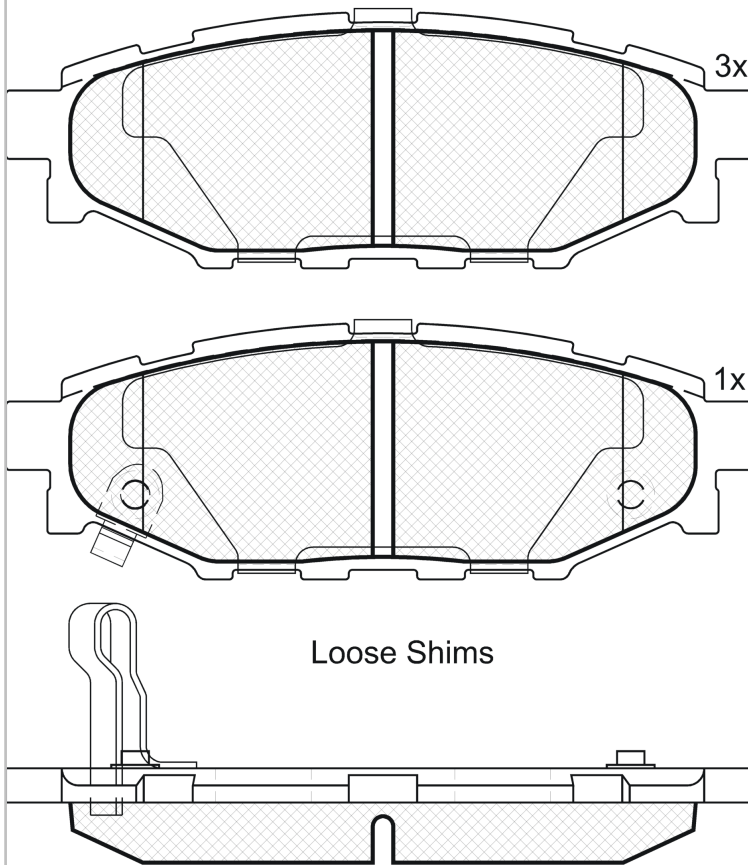
181759



Qty: 944

Weight: 748

| O.E.M. | MAKE |
|-------------|--------|
| 26696-AG000 | SUBARU |
| 26696-AG010 | SUBARU |
| 26696-AG030 | SUBARU |
| 26696-AG031 | SUBARU |
| 26696-AG050 | SUBARU |
| 26696-AG051 | SUBARU |
| 26696-FJ000 | SUBARU |
| SU003-04096 | TOYOTA |
| SU003-04097 | TOYOTA |



181759

E 9 90R-01110/1221



Akebono

110.4x37.7x14.4

| WVA | FMSI |
|-------|------------|
| 24271 | D1114-8218 |
| 24272 | |
| 25663 | |

| MAKE |
|--------|
| SUBARU |
| TOYOTA |



| | | | | | |
|--------------|----|----|----|--|--|
| Trac. | CC | Kw | CV | | |
| Front / Rear | | | | | |

SUBARU

| BRZ (ZC6) 06.12- | | | | | | Coupe (Sports car-S Segment) | | | |
|--------------------------------------|--------|------------------|-----|------|-----|------------------------------|-------------|--|---|
| 2.0 (ZC6) (FA20D) | Rim 15 | Gasolina | RWD | 1998 | 147 | 200 | 06.12- | | ■ |
| FORESTER III (SH_) 12.07- | | | | | | SUV (Compact SUV-J Segment) | | | |
| 2.0 AWD (SH5) (EJ204) | | Gasolina | 4WD | 1994 | 110 | 150 | 01.08-09.13 | | ■ |
| 2.0 AWD (SHJ) (FB20) | | Gasolina | 4WD | 1995 | 110 | 150 | 01.10- | | ■ |
| 2.5 AWD (SH9) (EJ25) | | Gasolina | 4WD | 2457 | 126 | 171 | 01.09-09.13 | | ■ |
| 2.5 AWD (SH9) (EJ255) | | Gasolina | 4WD | 2457 | 169 | 230 | 06.08-09.13 | | ■ |
| 2.5 Turbo AWD (SH9) (EJ255) | | Gasolina | 4WD | 2457 | 193 | 262 | 02.11-09.13 | | ■ |
| 2.5 | | Gasolina | FWD | 2458 | 123 | 165 | 09.08- | | ■ |
| 2.5 AWD (SHM) (FB25) | | Gasolina | 4WD | 2498 | 126 | 171 | 03.11-09.13 | | ■ |
| 2.0 BiFuel AWD (EJ204) | | Gasol./Gas (LPG) | 4WD | 1994 | 110 | 150 | 01.09-12.11 | | ■ |
| 2.0 D AWD (SHH, SHD, SHN) (EE20Z) | | Diesel | 4WD | 1998 | 108 | 147 | 09.08-09.13 | | ■ |
| FORESTER IV (SJ_) 11.12- | | | | | | SUV (Compact SUV-J Segment) | | | |
| 2.0 i AWD (SJ5) (FB20) | | Gasolina | 4WD | 1995 | 110 | 150 | 03.13- | | ■ |
| 2.0 XT AWD (SJG) (FA20) | | Gasolina | 4WD | 1998 | 177 | 241 | 03.13- | | ■ |
| 2.5 AWD (SJ9) (FB25) | | Gasolina | 4WD | 2498 | 126 | 171 | 11.12- | | ■ |
| 2.0 BiFuel AWD (S13, SJ5) (FB20B) | | Gasol./Gas (LPG) | 4WD | 1995 | 110 | 150 | 03.13- | | ■ |
| 2.0 D AWD (SJD) (EE20Z) | | Diesel | 4WD | 1998 | 108 | 147 | 03.13- | | ■ |
| FORESTER V (SK_) 04.18- | | | | | | SUV (Compact SUV-J Segment) | | | |
| 2.5 AWD (SK9) (FB25C) | Rim 15 | Gasolina | 4WD | 2498 | 136 | 185 | 04.18- | | ■ |
| 2.5 AWD (SK9) (FB25D) | Rim 15 | Gasolina | 4WD | 2498 | 136 | 185 | 04.18- | | ■ |
| 2.0 e-Boxer Hybrid AWD (SKE) (FB20X) | Rim 15 | Gasol./eléc. | 4WD | 1995 | 107 | 145 | 04.18- | | ■ |

LISTA DE APLICACIONES - BUYERS GUIDE

| | | | | | | | | | |
|---|--------|------------------|-----|------|--|-----|-------------|---|--|
| 2.0 e-Boxer Hybrid AWD (SKE) (FB20X) | Rim 15 | Gasol./el éc. | 4WD | 1995 | 110 | 150 | 04.18- | ■ | |
| IMPREZA III (GR, GH, G3) 03.07- | | | | | Hatchback (Compact car-C Segment) | | | | |
| 1.5 AWD (GH3) (EL15) | | Gasolina | 4WD | 1498 | 79 | 107 | 02.08-03.12 | ■ | |
| 1.5 F (GH2) (EL15) | | Gasolina | FWD | 1498 | 79 | 107 | 09.07-03.12 | ■ | |
| 1.5 AWD (EL154) | | Gasolina | 4WD | 1498 | 85 | 116 | 09.08-12.11 | ■ | |
| 2.0 AWD (GH7) | | Gasolina | 4WD | 1994 | 103 | 140 | 04.07-08.09 | ■ | |
| 2.0 | | Gasolina | FWD | 1994 | 110 | 150 | 02.08- | ■ | |
| 2.0 R AWD (GH7) (EJ204) | | Gasolina | 4WD | 1994 | 110 | 150 | 01.08-03.12 | ■ | |
| 2.5 AWD (GHE) (EJ255) | | Gasolina | 4WD | 2457 | 169 | 230 | 01.08-09.11 | ■ | |
| 2.5 WRX SE AWD (GRE) (EJ255) | | Gasolina | 4WD | 2457 | 195 | 265 | 07.10-08.13 | ■ | |
| 2.5 | | Gasolina | FWD | 2457 | 221 | 301 | 02.08- | ■ | |
| 2.5 WRX STI 330S AWD (EJ257) | | Gasolina | 4WD | 2457 | 243 | 330 | 05.09-12.10 | ■ | |
| 2.5 STI CS400 AWD (GRF) (EJ257) | | Gasolina | 4WD | 2457 | 294 | 400 | 04.10-08.13 | ■ | |
| 1.5 BiFuel AWD (EL154) | | Gasol./Gas (LPG) | 4WD | 1498 | 79 | 107 | 01.10-03.12 | ■ | |
| 2.0 R BiFuel AWD (EJ204) | | Gasol./Gas (LPG) | 4WD | 1994 | 110 | 150 | 01.09-03.12 | ■ | |
| 2.0 D AWD (EE20Z) | | Diesel | 4WD | 1998 | 80 | 109 | 01.11-12.11 | ■ | |
| 2.0 D AWD (EE20Z) | | Diesel | 4WD | 1998 | 110 | 150 | 01.09-03.12 | ■ | |
| IMPREZA III (GE, GV) 01.07- | | | | | Saloon (Compact car-C Segment) | | | | |
| 1.5 (GE2) (EL15) | | Gasolina | FWD | 1498 | 79 | 107 | 02.08- | ■ | |
| 1.5 AWD (GE3) (EL15) | | Gasolina | 4WD | 1498 | 79 | 107 | 02.08- | ■ | |
| 2.0 i AWD (GE7) (EJ204) | | Gasolina | 4WD | 1994 | 110 | 150 | 01.11- | ■ | |
| 2.5 AWD (EJ255) | | Gasolina | 4WD | 2457 | 169 | 230 | 10.08- | ■ | |
| 2.5 WRX SE AWD (GVE, GEE) (EJ255) | | Gasolina | 4WD | 2457 | 195 | 265 | 01.09-12.14 | ■ | |
| 2.5 AWD (EJ255) | | Gasolina | 4WD | 2457 | 199 | 270 | 07.07- | ■ | |
| 2.5 AWD (EJ257) | | Gasolina | 4WD | 2457 | 199 | 270 | 07.07- | ■ | |
| IMPREZA IV / WRX (GP_) 10.11- | | | | | Hatchback (Compact car-C Segment) | | | | |
| 1.6 i (GP2) (FB16A) | | Gasolina | FWD | 1600 | 84 | 114 | 06.12-09.16 | ■ | |
| 1.6 i (GP2) (FB16B) | | Gasolina | FWD | 1600 | 84 | 114 | 06.12-09.16 | ■ | |
| 1.6 i AWD (FB16B) | | Gasolina | 4WD | 1600 | 84 | 114 | 06.12- | ■ | |
| 2.0 AWD (GP7) (FB20) | 12/16- | Gasolina | 4WD | 1995 | 110 | 150 | 01.12- | ■ | |
| IMPREZA IV / WRX (GJ_) 07.11- | | | | | Saloon (Compact car-C Segment) | | | | |
| 1.6 AWD (GJ3) (FB16A) | | Gasolina | 4WD | 1600 | 84 | 114 | 06.12-09.16 | ■ | |
| 1.6 AWD (GJ3) (FB16B) | | Gasolina | 4WD | 1600 | 84 | 114 | 06.12-09.16 | ■ | |
| 1.6 Tracción delantera (GJ2) | | Gasolina | FWD | 1600 | 84 | 114 | 06.12-09.16 | ■ | |
| 2.0 AWD (GJ7) (FB20B) | 12/16- | Gasolina | 4WD | 1995 | 110 | 150 | 07.11- | ■ | |
| 2.5 WRX SE | | Gasolina | FWD | 2457 | 195 | 265 | 06.12- | ■ | |
| IMPREZA V (GT_) 10.16- | | | | | Hatchback (Compact car-C Segment) | | | | |
| 1.6 i (GT2) (FB16B) | | Gasolina | FWD | 1599 | 85 | 115 | 10.16- | ■ | |
| 1.6 i AWD (GT3) (FB16A) | | Gasolina | 4WD | 1599 | 85 | 115 | 10.16- | ■ | |
| 2.0 i (GT6) | | Gasolina | FWD | 1995 | 113 | 154 | 10.16- | ■ | |
| 2.0 i AWD (GT7) (FB20C) | | Gasolina | 4WD | 1995 | 113 | 154 | 10.16- | ■ | |
| 2.0 i AWD (GT7) (FB20C) | | Gasolina | 4WD | 1995 | 115 | 156 | 10.16- | ■ | |
| LEGACY IV / LIBERTY (BP) 09.03-12.09 | | | | | Estate (Executive car-E Segment) | | | | |
| 2.0 AWD (BP5) (EJ202) | | Gasolina | 4WD | 1994 | 101 | 138 | 09.03-10.05 | ■ | |
| 2.0 R AWD (BP5) (EJ204) | | Gasolina | 4WD | 1994 | 110 | 150 | 09.07-12.09 | ■ | |
| 2.0 Turbo | 01/04- | Gasolina | FWD | 1994 | 180 | 245 | 09.03-11.06 | ■ | |
| 2.5 AWD (BP9) (EJ25) | | Gasolina | 4WD | 2457 | 121 | 165 | 09.03-04.09 | ■ | |

LISTA DE APLICACIONES - BUYERS GUIDE

| | | | | | | | | |
|---|--------|------------------|-----|---|-----|-----|-------------|---|
| 2.5 i AWD (BP9) (EJ25) | | Gasolina | 4WD | 2457 | 127 | 173 | 01.08-12.09 | ■ |
| 3.0 R AWD (BPE) (EZ30) | 01/04- | Gasolina | 4WD | 3000 | 180 | 245 | 09.03-08.09 | ■ |
| 2.0 D AWD (BPD) (EE20Z) | | Diesel | 4WD | 1998 | 110 | 150 | 02.08-12.09 | ■ |
| LEGACY IV / LIBERTY (BL) 09.03-12.15 | | | | Saloon (Executive car-E Segment) | | | | |
| 2.0 AWD (BL5) (EJ202) | | Gasolina | 4WD | 1994 | 101 | 138 | 09.03-10.05 | ■ |
| 2.0 R AWD (BL5) (EJ204) | | Gasolina | 4WD | 1994 | 110 | 150 | 09.07-12.09 | ■ |
| 2.0 Turbo | 01/04- | Gasolina | FWD | 1994 | 180 | 245 | 09.03-11.06 | ■ |
| 2.5 AWD (BL9) (EJ25) | | Gasolina | 4WD | 2457 | 121 | 165 | 09.03-04.09 | ■ |
| 2.5 i AWD (BL9) (EJ25) | | Gasolina | 4WD | 2457 | 127 | 173 | 09.07-12.09 | ■ |
| 3.0 R AWD (BLE, B13) (EZ30) | 01/04- | Gasolina | 4WD | 3000 | 180 | 245 | 09.03-08.09 | ■ |
| 2.0 D AWD (BLD) (EE20Z) | | Diesel | 4WD | 1998 | 110 | 150 | 02.08-12.09 | ■ |
| LEGACY V / LIBERTY (BR) 06.08-12.14 | | | | Estate (Executive car-E Segment) | | | | |
| 2.0 i AWD (EJ204) | | Gasolina | 4WD | 1994 | 110 | 150 | 09.09-12.14 | ■ |
| 2.0 i AWD (BRJ) (FB20) | | Gasolina | 4WD | 1995 | 110 | 150 | 06.12-12.14 | ■ |
| 2.5 i AWD (BR9) (EJ253) | | Gasolina | 4WD | 2457 | 123 | 167 | 09.09-12.14 | ■ |
| 2.5 i AWD (BR9) (EJ25) | | Gasolina | 4WD | 2457 | 125 | 170 | 05.09-12.14 | ■ |
| 2.5 GT AWD (BR9) (EJ255) | | Gasolina | 4WD | 2457 | 195 | 265 | 07.10-12.14 | ■ |
| 2.5 i AWD (BRM) (FB25) | | Gasolina | 4WD | 2498 | 127 | 173 | 07.12-12.14 | ■ |
| 2.0 i LPG AWD (EJ204) | | Gasol./Gas (LPG) | 4WD | 1994 | 108 | 147 | 09.09-12.11 | ■ |
| 2.5 CNG AWD (FB25B) | | Gasol./Gas (CNG) | 4WD | 2498 | 127 | 173 | 04.13-12.14 | ■ |
| 2.0 D AWD (EE20) | | Diesel | 4WD | 1998 | 108 | 147 | 01.13-12.14 | ■ |
| 2.0 D AWD (EE20Z) | | Diesel | 4WD | 1998 | 108 | 147 | 01.13-12.14 | ■ |
| 2.0 D AWD (BRD) (EE20Z) | | Diesel | 4WD | 1998 | 110 | 150 | 09.09-12.14 | ■ |
| LEGACY V / LIBERTY (BM) 05.09- | | | | Saloon (Executive car-E Segment) | | | | |
| 2.0 i AWD (BM5) (EJ204) | | Gasolina | 4WD | 1994 | 110 | 150 | 09.09-12.14 | ■ |
| 2.0 i AWD (EJ204) | | Gasolina | 4WD | 1994 | 118 | 160 | 06.09-12.15 | ■ |
| 2.5 i AWD (BM9) (EJ253) | | Gasolina | 4WD | 2457 | 123 | 167 | 09.09-12.14 | ■ |
| 2.5 i AWD (BM9) (EJ253) | | Gasolina | 4WD | 2457 | 125 | 170 | 01.12-12.14 | ■ |
| 2.5 GT AWD (BM9) (EJ255) | | Gasolina | 4WD | 2457 | 195 | 265 | 07.10-12.14 | ■ |
| 2.5 i AWD (BMM) (FB25) | | Gasolina | 4WD | 2498 | 127 | 173 | 07.12-12.14 | ■ |
| 2.5 i AWD (BMM) (FB25A) | | Gasolina | 4WD | 2498 | 127 | 173 | 07.12-12.14 | ■ |
| 2.5 i AWD (BMM) (FB25B) | | Gasolina | 4WD | 2498 | 127 | 173 | 07.12-12.14 | ■ |
| 2.0 i LPG AWD (EJ204) | | Gasol./Gas (LPG) | 4WD | 1994 | 108 | 147 | 09.09-12.11 | ■ |
| 2.0 D AWD (BMD) (EE20Z) | | Diesel | 4WD | 1998 | 110 | 150 | 09.09-12.14 | ■ |
| OUTBACK III (BP) 09.03-06.10 | | | | Estate (Executive car-E Segment) | | | | |
| 2.5 AWD (BP9) (EJ25D) | 01/05- | Gasolina | 4WD | 2457 | 121 | 165 | 11.03-09.09 | ■ |
| 2.5 AWD (BP9) (EJ251) | | Gasolina | 4WD | 2457 | 127 | 173 | 09.08-09.09 | ■ |
| 2.5 | | Gasolina | FWD | 2457 | 186 | 253 | 01.05-12.09 | ■ |
| 3.0 AWD (BPE) (EZ30) | 01/04- | Gasolina | 4WD | 3000 | 180 | 245 | 11.03-09.09 | ■ |
| 2.5 BiFuel AWD | | Gasol./Gas (LPG) | 4WD | 2457 | 127 | 173 | 09.08-06.09 | ■ |
| 2.0 D AWD (BPD) (EE20Z) | | Diesel | 4WD | 1998 | 110 | 150 | 09.08-09.09 | ■ |
| OUTBACK IV (BR) 06.09- | | | | Estate (Executive car-E Segment) | | | | |
| 2.5 i AWD (BR9) (EJ253) | | Gasolina | 4WD | 2457 | 123 | 167 | 09.09- | ■ |
| 2.5 i AWD (EJ25) | | Gasolina | 4WD | 2457 | 125 | 170 | 05.09-12.14 | ■ |
| 2.5 i | | Gasolina | FWD | 2457 | 127 | 173 | 01.12- | ■ |
| 2.5 i AWD (EJ253) | | Gasolina | 4WD | 2457 | 129 | 175 | 01.12-12.14 | ■ |
| 2.5 i AWD (BRM) (FB25) | | Gasolina | 4WD | 2498 | 125 | 170 | 01.13- | ■ |

LISTA DE APLICACIONES - BUYERS GUIDE

| | | | | | | | | | |
|---|--------|------------------|-----|------|-----|-----|---------------------------------------|---|--|
| 2.5 i AWD (BRM) (FB25B) | | Gasolina | 4WD | 2498 | 127 | 173 | 01.13- | ■ | |
| 3.6 R AWD (BRF) (EZ36D) | | Gasolina | 4WD | 3630 | 191 | 260 | 09.09- | ■ | |
| 3.6 | | Gasolina | FWD | 3630 | 206 | 280 | 01.10- | ■ | |
| 2.5 BiFuel AWD (EJ253) | | Gasol./Gas (LPG) | 4WD | 2457 | 123 | 167 | 01.10-12.14 | ■ | |
| 2.5 BiFuel AWD (FB25B) | | Gasol./Gas (LPG) | 4WD | 2498 | 127 | 173 | 01.13-12.14 | ■ | |
| 2.5 CNG AWD (FB25B) | | Gasol./Gas (CNG) | 4WD | 2498 | 127 | 173 | 06.14-12.14 | ■ | |
| 2.0 D AWD | | Diesel | 4WD | 1998 | 108 | 147 | 01.13- | ■ | |
| 2.0 D AWD (BRD) (EE20Z) | | Diesel | 4WD | 1998 | 110 | 150 | 09.09- | ■ | |
| WRX / IMPREZA IV (GJ) 07.11- | | | | | | | Saloon (Compact car-C Segment) | | |
| 2.0 AWD (GK6, GK8) (FA20E) | | Gasolina | 4WD | 1998 | 197 | 268 | 09.13- | ■ | |
| 2.0 AWD (GK6, GK8) (FA20F) | | Gasolina | 4WD | 1998 | 197 | 268 | 09.13- | ■ | |
| XV II (GT, G24) 04.17- | | | | | | | SUV (Compact car-C Segment) | | |
| 2.0 i AWD (GT7) (FB20C) | | Gasolina | 4WD | 1995 | 115 | 156 | 04.17- | ■ | |
| 2.0 i AWD (GT7) (FB20D) | | Gasolina | 4WD | 1995 | 115 | 156 | 04.17- | ■ | |
| 2.0 i e-BOXER AWD (GTE) (FB20W) | | Gasol./el éc. | 4WD | 1995 | 110 | 150 | 10.19- | ■ | |
| 2.0 i e-BOXER AWD (GTE) (FB20X) | | Gasol./el éc. | 4WD | 1995 | 110 | 150 | 10.19- | ■ | |
| XV CROSSTREK (_GP_) 09.11- | | | | | | | SUV (Compact car-C Segment) | | |
| 1.6 i AWD (GP3, G33GP) (FB16A) | | Gasolina | 4WD | 1600 | 84 | 114 | 03.12-12.17 | ■ | |
| 1.6 i AWD (GP3, G33GP) (FB16B) | | Gasolina | 4WD | 1600 | 84 | 114 | 03.12-12.17 | ■ | |
| 2.0 i AWD (GP7, G33GP) (FB20B) | | Gasolina | 4WD | 1995 | 110 | 150 | 03.12-12.17 | ■ | |
| 1.6 BiFuel AWD (G33GP, GP3) (FB16B) | | Gasol./Gas (LPG) | 4WD | 1600 | 84 | 114 | 03.12-12.17 | ■ | |
| 2.0 BiFuel AWD (G33GP, GP7) (FB20B) | | Gasol./Gas (LPG) | 4WD | 1995 | 110 | 150 | 03.12-12.17 | ■ | |
| 2.0 Hybrid AWD (GPE) (FB20) | | Gasol./el éc. | 4WD | 1995 | 110 | 150 | 01.14-12.17 | ■ | |
| 2.0 D AWD (EE20Z) | | Diesel | 4WD | 1998 | 80 | 109 | 03.12-12.17 | ■ | |
| 2.0 D AWD (GPD) (EE20Z) | | Diesel | 4WD | 1998 | 108 | 147 | 03.12-12.17 | ■ | |
| TOYOTA | | | | | | | | | |
| GT 86 / 86 / TOYOTA 86 (ZN6_) 03.12- | | | | | | | Coupe (Sports car-S Segment) | | |
| 2.0 (ZN6AC_, ZN6BC_, ZN6K) (4U-GSE) | Rim 15 | Gasolina | RWD | 1998 | 147 | 200 | 03.12- | ■ | |
| 2.0 (ZN6AC_, ZN6BC_, ZN6K) (FA20) | Rim 15 | Gasolina | RWD | 1998 | 147 | 200 | 03.12- | ■ | |
| 2.0 (ZN6AC_, ZN6BC_, ZN6K) (FA20D) | Rim 15 | Gasolina | RWD | 1998 | 147 | 200 | 03.12- | ■ | |