

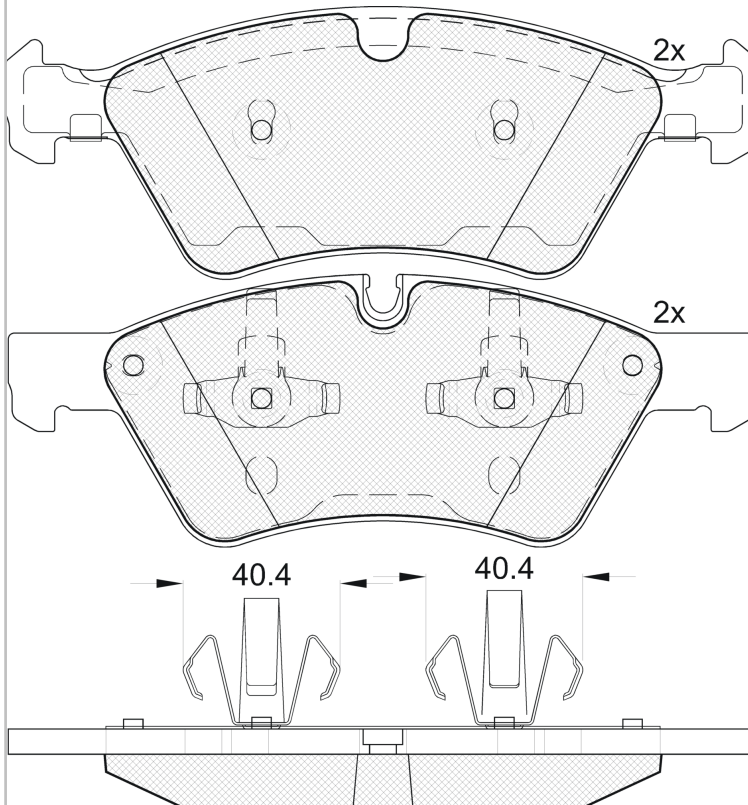
LISTA DE APLICACIONES - BUYERS GUIDE

181771



Qty: 300

Weight: 2.755



181771



90R-01111/1400



Ate - Teves

193x70.3x21

194.4x70.3x21

O.E.M.	MAKE
000 420 11 05 90	MERCEDES-BENZ
0004201105	MERCEDES-BENZ
0004209704	MERCEDES-BENZ
004 420 40 20	MERCEDES-BENZ
164 420 08 20	MERCEDES-BENZ
164 420 18 20	MERCEDES-BENZ
164 420 22 20	MERCEDES-BENZ
164 420 26 20	MERCEDES-BENZ

WVA	FMSI
23922	D1123-8229
23925	
MAKE	
MERCEDES-BENZ	



Trac.	CC	Kw	CV



Front / Rear

MERCEDES-BENZ

E-Class III (W211) 03.02-03.09								Saloon (Executive car-E Segment)		
E 240 4-matic (211.080) (M 112.917)	11/05-, ch. X 196565-, sports package	Gasolina	4WD	2597	130	177	03.03-12.08	■		
E 280 4-matic (211.092) (M 272.943)	ch. X 196565-, sports package	Gasolina	4WD	2996	170	231	01.06-12.08	■		
E 280 4-matic (211.092) (M 272.944)	ch. X 196565-, sports package	Gasolina	4WD	2996	170	231	01.06-12.08	■		
E 320 4-matic (211.082) (M 112.954)	11/05-, ch. X 196565-, sports package	Gasolina	4WD	3199	165	224	03.03-12.08	■		
E 350 4-matic (211.087) (M 272.972)	ch. X 196565-, sports package	Gasolina	4WD	3498	200	272	03.05-12.08	■		
E 500 4-matic (211.083) (M 113.969)	11/05-, ch. X 196565-, sports package	Gasolina	4WD	4966	225	306	10.03-12.08	■		
E 500 4-matic (211.090) (M 273.962)	ch. X 196565-, sports package	Gasolina	4WD	5461	285	388	04.06-12.08	■		
E 280 CDI 4-matic (211.084) (OM 642.921)	ch. X 196565-, sports package	Diesel	4WD	2987	140	190	03.05-12.08	■		
E 320 CDI 4-matic (211.089) (OM 642.910)	ch. X 196565-, sports package	Diesel	4WD	2987	165	224	03.05-12.08	■		
E 320 CDI 4-matic (211.089) (OM 642.921)	ch. X 196565-, sports package	Diesel	4WD	2987	165	224	03.05-12.08	■		
E-Class III T-Model (S211) 02.03-07.09								Estate (Executive car-E Segment)		
E 240 T 4-matic (211.280) (M 112.917)	11/05-, ch. X 196565-, sports package	Gasolina	4WD	2597	130	177	07.03-07.09	■		
E 280 T 4-matic (211.292) (M 272.943)	ch. X 196565-, sports package	Gasolina	4WD	2996	170	231	03.05-07.09	■		
E 280 T 4-matic (211.292) (M 272.944)	ch. X 196565-, sports package	Gasolina	4WD	2996	170	231	03.05-07.09	■		
E 320 T 4-matic (211.282) (M 112.954)	11/05-, ch. X 196565-, sports package	Gasolina	4WD	3199	165	224	07.03-07.09	■		
E 350 T 4-matic (211.287) (M 272.972)	ch. X 196565-, sports package	Gasolina	4WD	3498	200	272	03.05-07.09	■		
E 500 T 4-matic (211.283) (M 113.969)	11/05-, ch. X 196565-, sports package	Gasolina	4WD	4966	225	306	10.03-07.09	■		
E 500 T 4-matic (211.290) (M 273.962)	-12/08, ch. X 196565-, sports package	Gasolina	4WD	5461	285	388	04.06-07.09	■		
E 280 T CDI 4-matic (211.284) (OM 642.921)	ch. X 196565-, sports package	Diesel	4WD	2987	140	190	03.05-07.09	■		
E 320 T CDI 4-matic (211.289) (OM 642.921)	ch. X 196565-, sports package	Diesel	4WD	2987	165	224	03.05-07.09	■		

LISTA DE APLICACIONES - BUYERS GUIDE

G-Class (W463) 09.89-						Closed Off-Road Vehicle (Luxury Crossover SUV-J Segment)				
G 55 AMG (463.270, 463.271) (M 113.993)	ch. 144226-	Gasolina	4WD	5439	350	476	06.04-07.06	■		
G 55 AMG (463.270, 463.271) (M 113.993)	ch. 144226-	Gasolina	4WD	5439	368	500	08.06-12.12	■		
G 55 AMG (463.270, 463.271) (M 113.993)	ch. 144226-	Gasolina	4WD	5439	373	507	08.08-06.12	■		
AMG G 63 (463.272) (M 157.984)		Gasolina	4WD	5461	420	571	06.15-03.18	■		
G 65 AMG (463.274) (M 279.982)		Gasolina	4WD	5980	450	612	05.12-04.18	■		
AMG G 65 (463.274, 463.275) (M 279.982)		Gasolina	4WD	5980	463	630	06.15-04.18	■		
GL-Class (X164) 09.06-						SUV (Luxury Crossover SUV-J Segment)				
GL 450 4-matic (164.871) (M 273.923)	USA	Gasolina	4WD	4663	250	340	09.06-08.12	■		
GL 500 4-matic (164.886) (M 273.963)	USA	Gasolina	4WD	5461	285	388	09.06-12.12	■		
GL 320 CDI / 350 BlueTEC 4-matic (164.824, 164.825) (OM 642.820)	Type No llanta 19"	Diesel	4WD	2987	155	211	12.09-08.12	■		
GL 320 CDI 4-matic (164.822) (OM 642.940)	Type No llanta 19"	Diesel	4WD	2987	165	224	09.06-05.09	■		
GL 350 CDI 4-matic (164.823) (OM 642.940)	Type No llanta 19"	Diesel	4WD	2987	165	224	05.09-08.12	■		
GL 350 CDI 4-matic (164.823) (OM 642.822)		Diesel	4WD	2987	195	265	10.10-08.12	■		
GL 420 CDI 4-matic (164.828) (OM 629.912)	Type No llanta 19"	Diesel	4WD	3996	225	306	09.06-05.09	■		
GL 450 CDI 4-matic (164.828) (OM 629.912)	Type No llanta 19"	Diesel	4WD	3996	225	306	05.09-08.12	■		
M-Class II (W164) 02.05-12.13						SUV (Executive SUV-J Segment)				
ML 300 4-matic (164.182) (M 272.945)		Gasolina	4WD	2996	170	231	03.10-12.11	■		
ML 350 4-matic (164.186) (M 272.967)		Gasolina	4WD	3498	200	272	02.05-12.11	■		
3.7 ML 350 4WD	01/05-	Gasolina	FWD	3695	173	235	02.05-	■		
ML 500 4-matic (164.175) (M 113.964)		Gasolina	4WD	4966	225	306	07.05-12.11	■		
ML 500 4-matic (164.172) (M 273.963)	USA	Gasolina	4WD	5461	285	388	12.07-12.11	■		
ML 280 CDI 4-matic (164.120) (OM 642.940)		Diesel	4WD	2987	140	190	07.05-07.09	■		
ML 300 CDI 4-matic (164.121) (OM 642.940)		Diesel	4WD	2987	140	190	07.09-12.11	■		
ML 300 CDI 4-matic (164.121) (OM 642.820)		Diesel	4WD	2987	150	204	02.10-12.11	■		
ML 320 CDI 4-matic (164.124, 164.125, 164.122) (OM 642.820)		Diesel	4WD	2987	155	211	07.05-07.11	■		
ML 320 CDI 4-matic (164.124, 164.125, 164.122) (OM 642.940)		Diesel	4WD	2987	155	211	07.05-07.11	■		
ML 350 CDI 4-matic (164.125, 164.124) (OM 642.820)		Diesel	4WD	2987	155	211	09.09-12.11	■		
ML 320 CDI 4-matic (164.124, 164.125, 164.122) (OM 642.940)		Diesel	4WD	2987	165	224	07.05-07.09	■		
ML 350 CDI 4-matic (164.125, 164.124) (OM 642.940)		Diesel	4WD	2987	165	224	07.09-12.11	■		
ML 350 CDI 4-matic (164.125, 164.124) (OM 642.820)		Diesel	4WD	2987	170	231	02.10-12.11	■		
ML 420 CDI 4-matic (164.128) (OM 629.912)		Diesel	4WD	3996	225	306	02.06-09.09	■		
ML 450 CDI 4-matic (164.128) (OM 629.912)		Diesel	4WD	3996	225	306	09.09-12.11	■		
R-Class (W251, V251) 08.05-10.17						MPV (Large MPV-M1 Segment)				
R 280 (251.054, 251.154) (M 272.945)		Gasolina	RWD	2996	170	231	01.07-12.14	■		
R 280 4-matic (251.062) (M 272.945)		Gasolina	4WD	2996	170	231	05.07-12.11	■		
R 300 (251.054, 251.154) (M 272.945)		Gasolina	RWD	2996	170	231	07.09-12.14	■		
R 300 4-matic (251.062) (M 272.945)		Gasolina	4WD	2996	170	231	07.09-12.11	■		
R 350 (251.056, 251.156) (M 272.967)		Gasolina	RWD	3498	200	272	01.07-12.12	■		
R 350 4-matic (251.065, 251.165) (M 272.967)		Gasolina	4WD	3498	200	272	08.05-12.12	■		
R 350 CGI 4-matic (251.057, 251.157) (M 276.958)		Gasolina	4WD	3498	225	306	10.11-12.14	■		
R 500 4-matic (251.075, 251.175) (M 113.960)		Gasolina	4WD	4966	225	306	08.05-12.14	■		
R 500 4-matic (251.075, 251.175) (M 113.971)		Gasolina	4WD	4966	225	306	08.05-12.14	■		
R 500 4-matic (251.072, 251.172) (M 273.963)	Axle Dist.Eje 2980 y 3215	Gasolina	4WD	5461	285	388	05.07-12.14	■		
R 280 CDI (251.121, 251.026, 251.126) (OM 642.870)	01/07-	Diesel	RWD	2987	140	190	05.06-12.12	■		

LISTA DE APLICACIONES - BUYERS GUIDE

R 280 CDI (251.121, 251.026, 251.126) (OM 642.872)	01/07-	Diesel	RWD	2987	140	190	05.06-12.12	■
R 280 CDI (251.121, 251.026, 251.126) (OM 642.950)	01/07-	Diesel	RWD	2987	140	190	05.06-12.12	■
R 280 CDI 4-matic (251.020) (OM 642.950)		Diesel	4WD	2987	140	190	05.06-12.12	■
R 300 CDI (251.021, 251.121, 251.026, 251.126) (OM 642.870)		Diesel	RWD	2987	140	190	07.09-12.12	■
R 300 CDI (251.021, 251.121, 251.026, 251.126) (OM 642.872)		Diesel	RWD	2987	140	190	07.09-12.12	■
R 300 CDI (251.021, 251.121, 251.026, 251.126) (OM 642.950)		Diesel	RWD	2987	140	190	07.09-12.12	■
R 300 CDI 4-matic (251.020) (OM 642.950)		Diesel	4WD	2987	140	190	07.09-12.12	■
R 320 CDI 4-matic (251.125) (OM 642.870)		Diesel	4WD	2987	155	211	01.06-12.12	■
R 320 CDI 4-matic (251.125) (OM 642.950)		Diesel	4WD	2987	155	211	01.06-12.12	■
R 350 CDI 4-matic (251.124, 251.125) (OM 642.870)	01/09-	Diesel	4WD	2987	155	211	01.06-12.14	■
R 350 CDI 4-matic (251.124, 251.125) (OM 642.950)	01/09-	Diesel	4WD	2987	155	211	01.06-12.14	■
R 320 CDI 4-matic (251.022, 251.122) (OM 642.950)		Diesel	4WD	2987	165	224	01.06-07.10	■
R 350 CDI 4-matic (251.023, 251.123) (OM 642.950)		Diesel	4WD	2987	165	224	07.09-12.12	■
R 350 CDI 4-matic (251.023, 251.123) (OM 642.872)		Diesel	4WD	2987	195	265	08.10-12.14	■