

LISTA DE APLICACIONES - BUYERS GUIDE

181778

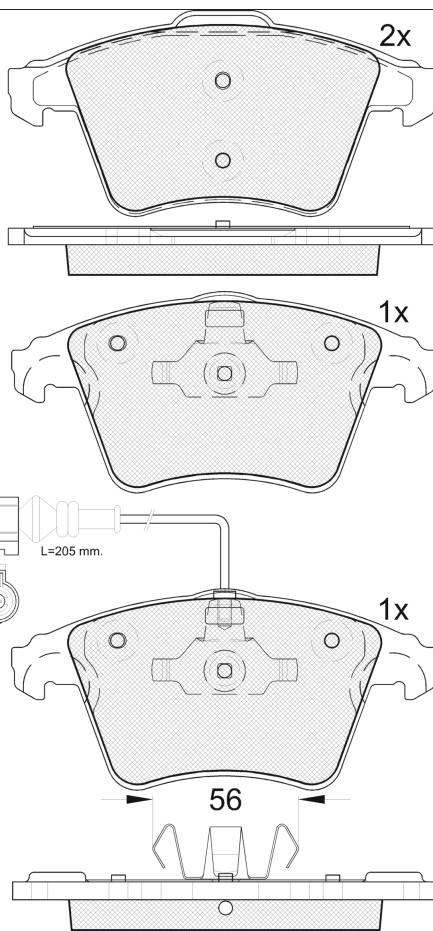


8 424073 095619

Qty: 300

Weight: 2.266

O.E.M.	MAKE
7H0 698 151 A	VW
7H0 698 151 B	VW
7H0 698 151 C	VW
7L6 698 151 F	VW
86 60 000 755	RENAULT
86 60 004 527	RENAULT



181778

E 9 90R-01111/2252



Ate - Teves

155.1x73.3x18.2
156.3x74.95x18.2

WVA
23747
23748
23749

MAKE
VW



Trac.	CC	Kw	CV		
Front / Rear					

VW

CALIFORNIA T5 (7EC, 7EF, 7EG, 7HF, 7HC) 04.03-04.16

Bus (LCVs-N1 Segment)

Engine	Fuel	Trac.	CC	Kw	CV	Period	
2.0 TSI	Gasolina	FWD	1984	110	150	07.12-08.15	■
2.0 TSI	Gasolina	FWD	1984	150	204	05.11-08.15	■
2.0 TSI 4motion	Gasolina	4WD	1984	150	204	07.11-08.15	■
1.9 TDI	Diesel	FWD	1896	63	85	05.07-11.09	■
1.9 TDI	Diesel	FWD	1896	75	102	05.07-11.09	■
1.9 TDI	Diesel	FWD	1896	77	105	05.07-11.09	■
2.0 TDI	Diesel	FWD	1968	62	84	09.09-08.15	■
2.0 TDI	Diesel	FWD	1968	75	102	09.09-08.15	■
2.0 TDI	Diesel	FWD	1968	84	114	05.11-08.15	■
2.0 TDI	Diesel	FWD	1968	100	136	05.10-08.15	■
2.0 TDI 4motion	Diesel	4WD	1968	100	136	05.10-08.15	■
2.0 TDI	Diesel	FWD	1968	103	140	09.09-08.15	■
2.0 TDI 4motion	Diesel	4WD	1968	103	140	10.09-08.15	■
2.0 TDI	Diesel	FWD	1968	132	180	09.09-08.15	■
2.0 TDI 4motion	Diesel	4WD	1968	132	180	01.10-08.15	■
2.5 TDI	Diesel	FWD	2461	96	130	05.07-11.09	■
2.5 TDI 4motion	Diesel	4WD	2461	96	130	05.07-11.09	■
2.5 TDI	Diesel	FWD	2461	120	163	05.07-11.09	■
2.5 TDI	Diesel	FWD	2461	128	174	05.07-11.09	■
2.5 TDI 4motion	Diesel	4WD	2461	128	174	05.07-11.09	■

MULTIVAN V (7HM, 7HN, 7HF, 7EF, 7EM, 7EN) 04.03-03.16

Bus (Minibus-M2-Segment)

2.0 (AXA)	Rim 17, discØ 333, PR 2E4	Gasolina	FWD	1984	85	115	11.03-08.15	
2.0 TSI (CJKB)	discØ 308, PR 2E3	Gasolina	FWD	1984	110	150	07.12-08.15	■

LISTA DE APLICACIONES - BUYERS GUIDE

2.0 TSI (CJKA)	discØ 308, PR 2E3	Gasolina	FWD	1984	150	204	05.11-08.15	■
2.0 TSI 4motion (CJKA)	discØ 308, PR 2E3	Gasolina	4WD	1984	150	204	07.11-08.15	■
3.2		Gasolina	FWD	3189	170	231	11.03-06.06	■
VR6 3.2 (BDL)	Rim 17, discØ 308, discØ 333, PR 2E3, PR 2E4	Gasolina	FWD	3189	170	231	02.04-06.04	■
VR6 3.2 (BKK)	Rim 17, discØ 333, PR 2E3, PR 2E4, discØ 308	Gasolina	FWD	3189	173	235	02.04-12.09	■
VR6 3.2 (CFLA)	Rim 17, discØ 333, PR 2E3, PR 2E4, discØ 308	Gasolina	FWD	3189	173	235	02.04-12.09	■
VR6 3.2 4motion (BKK)	Rim 17, discØ 333, PR 2E3, PR 2E4, discØ 308	Gasolina	4WD	3189	173	235	07.04-12.09	■
VR6 3.2 4motion (CFLA)	Rim 17, discØ 333, PR 2E3, PR 2E4, discØ 308	Gasolina	4WD	3189	173	235	07.04-12.09	■
1.9 TDI (BRR)	Rim 17, discØ 333, PR 2E3, PR 2E4, discØ 308	Diesel	FWD	1896	62	84	01.06-11.09	■
1.9 TDI (AXC)	PR 2E3, PR 2E4, discØ 333, discØ 308	Diesel	FWD	1896	63	85	04.03-11.09	■
1.9 TDI (BRS)	Rim 17, discØ 333, PR 2E3, PR 2E4, discØ 308	Diesel	FWD	1896	75	102	01.06-11.09	■
1.9 TDI (AXB)	Rim 17, discØ 333, PR 2E3, PR 2E4, discØ 308	Diesel	FWD	1896	77	105	04.03-11.09	■
2.0 TDI (CAAA)	discØ 308, PR 2E3	Diesel	FWD	1968	62	84	09.09-08.15	■
2.0 TDI (CAAB)	discØ 308, PR 2E3	Diesel	FWD	1968	75	102	09.09-08.15	■
2.0 TDI (CAAD)	discØ 308, PR 2E3	Diesel	FWD	1968	84	114	05.11-08.15	■
2.0 TDI (CAAE)	discØ 308, PR 2E3	Diesel	FWD	1968	100	136	05.10-08.15	■
2.0 TDI (CCHB)	discØ 308, PR 2E3	Diesel	FWD	1968	100	136	05.10-08.15	■
2.0 TDI 4motion (CAAE)	discØ 308, PR 2E3	Diesel	4WD	1968	100	136	05.10-08.15	■
2.0 TDI 4motion (CCHB)	discØ 308, PR 2E3	Diesel	4WD	1968	100	136	05.10-08.15	■
2.0 TDI (CAAC)	discØ 308, PR 2E3	Diesel	FWD	1968	103	140	09.09-08.15	■
2.0 TDI (CCHA)	discØ 308, PR 2E3	Diesel	FWD	1968	103	140	09.09-08.15	■
2.0 TDI 4motion (CAAC)	discØ 308, PR 2E3	Diesel	4WD	1968	103	140	09.09-08.15	■
2.0 TDI 4motion (CCHA)	discØ 308, PR 2E3	Diesel	4WD	1968	103	140	09.09-08.15	■
2.0 BiTDI (CFCA)	discØ 308, PR 2E3	Diesel	FWD	1968	132	180	09.09-08.15	■
2.0 BiTDI 4motion (CFCA)	discØ 308, PR 2E3	Diesel	4WD	1968	132	180	09.09-08.15	■
2.5 TDI (AXD)	Rim 17, discØ 333, PR 2E3, PR 2E4, discØ 308	Diesel	FWD	2461	96	130	04.03-11.09	■
2.5 TDI (BNZ)	Rim 17, discØ 333, PR 2E3, PR 2E4, discØ 308	Diesel	FWD	2461	96	130	04.03-11.09	■
2.5 TDI 4motion (AXD)	Rim 17, discØ 333, PR 2E3, PR 2E4, discØ 308	Diesel	4WD	2461	96	130	07.04-11.09	■
2.5 TDI 4motion (BNZ)	Rim 17, discØ 333, PR 2E3, PR 2E4, discØ 308	Diesel	4WD	2461	96	130	07.04-11.09	■
2.5 TDI (BLJ)	Rim 17, discØ 333, PR 2E3, PR 2E4, discØ 308	Diesel	FWD	2461	120	163	11.03-11.09	■
2.5 TDI (AXE)	Rim 17, discØ 333, PR 2E3, PR 2E4, discØ 308	Diesel	FWD	2461	128	174	04.03-11.09	■
2.5 TDI (BPC)	Rim 17, discØ 333, PR 2E3, PR 2E4, discØ 308	Diesel	FWD	2461	128	174	04.03-11.09	■
2.5 TDI 4motion (AXE)	Rim 17, discØ 333, PR 2E3, PR 2E4, discØ 308	Diesel	4WD	2461	128	174	07.04-11.09	■
2.5 TDI 4motion (BPC)	Rim 17, discØ 333, PR 2E3, PR 2E4, discØ 308	Diesel	4WD	2461	128	174	07.04-11.09	■
TOUAREG (7LA, 7L6, 7L7) 10.02-12.13				SUV (Luxury Crossover SUV-J Segment)				
2.5 R5 TDI (BLK)		Diesel	4WD	2461	120	163	08.03-05.10	■
2.5 R5 TDI (BPD)		Diesel	4WD	2461	120	163	08.03-05.10	■
2.5 R5 TDI (BAC)		Diesel	4WD	2461	128	174	01.03-05.10	■
2.5 R5 TDI (BPE)		Diesel	4WD	2461	128	174	01.03-05.10	■
TRANSPORTER T5 (7JD, 7JE, 7JL, 7JY, 7JZ, 7FD, 7FE, 7FL, 7FY, 7FZ) 04.03-03.16				Platform/Chassis (LCVs-N1 Segment)				
2.0 (AXA)	Rim 17, discØ 333, PR 2E3, PR 2E4 -ch 7JA000001	Gasolina	FWD	1984	85	115	11.03-05.13	■
2.0 TSI (CJKB)	discØ 308, PR 2E3	Gasolina	FWD	1984	110	150	07.12-08.15	■

LISTA DE APLICACIONES - BUYERS GUIDE

VR6 3.2 (BDL)	Rim 17, discØ 333, PR 2E3, PR 2E4, discØ 308	Gasolina	FWD	3189	170	231	02.04-11.09	■	
VR6 3.2 4motion (BDL)	-12/06, PR 2E3, PR 2E4, discØ 333, discØ 308	Gasolina	4WD	3189	170	231	11.03-11.09	■	
VR6 3.2 (BKK)	Rim 17, discØ 333, PR 2E4 discØ 308, PR 2E3	Gasolina	FWD	3189	173	235	08.03-11.09	■	
VR6 3.2 4motion		Gasolina	4WD	3189	173	235	11.03-11.09	■	
2.0 CNG (AXA)	PR 2E3, PR 2E4, discØ 333, discØ 308	Gasol./Gas (CNG)	FWD	1984	85	115	11.03-05.11	■	
1.9 TDI (BRR)	Rim 17, discØ 333, PR 2E3, PR 2E4, discØ 308	Diesel	FWD	1896	62	84	01.06-11.09	■	
1.9 TDI (AXC)	Rim 17, discØ 333, PR 2E3, PR 2E4, discØ 308	Diesel	FWD	1896	63	85	04.03-11.09	■	
1.9 TDI (BRS)	Rim 17, discØ 333, PR 2E3, PR 2E4, discØ 308	Diesel	FWD	1896	75	102	01.06-11.09	■	
1.9 TDI (AXB)	Rim 17, discØ 333, PR 2E3, PR 2E4, discØ 308	Diesel	FWD	1896	77	105	04.03-11.09	■	
2.0 TDI (CAAA)	discØ 308, PR 2E3	Diesel	FWD	1968	62	84	09.09-08.15	■	
2.0 TDI (CAAB)	discØ 308, PR 2E3	Diesel	FWD	1968	75	102	09.09-08.15	■	
2.0 TDI (CAAD)	discØ 308, PR 2E3	Diesel	FWD	1968	84	114	05.11-08.15	■	
2.0 TDI (CAAE)	discØ 308, PR 2E3	Diesel	FWD	1968	100	136	05.10-08.15	■	
2.0 TDI 4motion (CAAE)	discØ 308, PR 2E3	Diesel	4WD	1968	100	136	05.10-08.15	■	
2.0 TDI 4motion (CCHB)	discØ 308, PR 2E3	Diesel	4WD	1968	100	136	05.10-08.15	■	
2.0 TDI (CAAC)	PR 2E3, PR 2E4, discØ 333, discØ 308	Diesel	FWD	1968	103	140	09.09-08.15	■	
2.0 TDI (CCHA)	PR 2E3, PR 2E4, discØ 333, discØ 308	Diesel	FWD	1968	103	140	09.09-08.15	■	
2.0 TDI 4motion (CAAC)	PR 2E3, PR 2E4, discØ 333, discØ 308	Diesel	4WD	1968	103	140	09.09-08.15	■	
2.0 TDI 4motion (CCHA)	PR 2E3, PR 2E4, discØ 333, discØ 308	Diesel	4WD	1968	103	140	09.09-08.15	■	
2.0 BitDI (CFCA)	discØ 308, PR 2E3	Diesel	FWD	1968	132	180	09.09-08.15	■	
2.0 BitDI 4motion (CFCA)	discØ 308, PR 2E3	Diesel	4WD	1968	132	180	09.09-08.15	■	
2.5 TDI (AXD)	Rim 17, discØ 333, PR 2E3, PR 2E4, discØ 308	Diesel	FWD	2461	96	130	04.03-11.09	■	
2.5 TDI (BNZ)	Rim 17, discØ 333, PR 2E3, PR 2E4, discØ 308	Diesel	FWD	2461	96	130	04.03-11.09	■	
2.5 TDI 4motion (AXD)	Rim 17, discØ 333, PR 2E3, PR 2E4, discØ 308	Diesel	4WD	2461	96	130	07.04-11.09	■	
2.5 TDI 4motion (BNZ)	Rim 17, discØ 333, PR 2E3, PR 2E4, discØ 308	Diesel	4WD	2461	96	130	07.04-11.09	■	
2.5 TDI (AXE)	Rim 17, discØ 333, PR 2E3, PR 2E4, discØ 308	Diesel	FWD	2461	128	174	04.03-11.09	■	
2.5 TDI (BPC)	Rim 17, discØ 333, PR 2E3, PR 2E4, discØ 308	Diesel	FWD	2461	128	174	04.03-11.09	■	
2.5 TDI 4motion (AXE)	Rim 17, discØ 333, PR 2E3, PR 2E4, discØ 308	Diesel	4WD	2461	128	174	04.04-11.09	■	
2.5 TDI 4motion (BPC)	Rim 17, discØ 333, PR 2E3, PR 2E4, discØ 308	Diesel	4WD	2461	128	174	04.04-11.09	■	
TRANSPORTER T5 / EUROVAN / KOMBI-CARAVALLE (7HB, 7HJ, 7EB, 7EJ) 04.03-03.16							Bus (Minibus-M2-Segment)		
2.0 (AXA)	Rim 17, discØ 333, PR 2E3, PR 2E4, discØ 308	Gasolina	FWD	1984	85	115	11.03-08.15	■	
2.0 TSI (CJKB)	discØ 308, PR 2E3	Gasolina	FWD	1984	110	150	07.12-08.15	■	
2.0 TSI (CJKA)	discØ 308, PR 2E3	Gasolina	FWD	1984	150	204	05.11-08.15	■	
2.0 TSI 4motion (CJKA)	discØ 308, PR 2E3	Gasolina	4WD	1984	150	204	07.11-08.15	■	
3.2		Gasolina	FWD	3189	170	231	11.03-06.06	■	
VR6 3.2 (BDL)	Rim 17, discØ 333, PR 2E3, PR 2E4, discØ 308	Gasolina	FWD	3189	170	231	02.04-06.04	■	
VR6 3.2 4motion (BDL)	PR 2E3, PR 2E4, discØ 333, discØ 308	Gasolina	4WD	3189	170	231	11.03-11.09	■	
3.2 V6 4motion (BKK)	Rim 17, discØ 333, PR 2E3, PR 2E4, discØ 308	Gasolina	4WD	3189	173	235	11.03-12.09	■	
3.2 V6 4motion (CFLA)	Rim 17, discØ 333, PR 2E3, PR 2E4, discØ 308	Gasolina	4WD	3189	173	235	11.03-12.09	■	

LISTA DE APLICACIONES - BUYERS GUIDE

VR6 3.2 (BKK)	Rim 17, discØ 333, PR 2E3, PR 2E4, discØ 308	Gasolina	FWD	3189	173	235	02.04-11.09	■	
VR6 3.2 (CFLA)	Rim 17, discØ 333, PR 2E3, PR 2E4, discØ 308	Gasolina	FWD	3189	173	235	02.04-11.09	■	
2.0 CNG (AXA)	PR 2E3, PR 2E4, discØ 333, discØ 308	Gasol./Gas (CNG)	FWD	1984	85	115	01.06-08.15	■	
1.9 TDI (BRR)	Rim 17, discØ 333, PR 2E3, PR 2E4, discØ 308	Diesel	FWD	1896	62	84	01.06-11.09	■	
1.9 TDI (AXC)	Rim 17, discØ 333, PR 2E3, PR 2E4, discØ 308	Diesel	FWD	1896	63	85	04.03-11.09	■	
1.9 TDI (BRS)	Rim 17, discØ 333, PR 2E3, PR 2E4, discØ 308	Diesel	FWD	1896	75	102	01.06-11.09	■	
1.9 TDI (AXB)	Rim 17, discØ 333, PR 2E3, PR 2E4, discØ 308	Diesel	FWD	1896	77	105	04.03-11.09	■	
2.0 TDI (CAAA)	discØ 308, PR 2E3	Diesel	FWD	1968	62	84	09.09-08.15	■	
2.0 TDI (CAAB)	discØ 308, PR 2E3	Diesel	FWD	1968	75	102	09.09-08.15	■	
2.0 TDI (CAAD)	discØ 308, PR 2E3	Diesel	FWD	1968	84	114	05.11-08.15	■	
2.0 TDI (CSDA)	discØ 308, PR 2E3	Diesel	FWD	1968	85	116	05.11-08.15	■	
2.0 TDI (CAAE)	discØ 308, PR 2E3	Diesel	FWD	1968	100	136	05.10-08.15	■	
2.0 TDI (CCHB)	discØ 308, PR 2E3	Diesel	FWD	1968	100	136	05.10-08.15	■	
2.0 TDI 4motion (CAAE)	discØ 308, PR 2E3	Diesel	4WD	1968	100	136	05.10-08.15	■	
2.0 TDI 4motion (CCHB)	discØ 308, PR 2E3	Diesel	4WD	1968	100	136	05.10-08.15	■	
2.0 TDI (CAAC)	discØ 308, PR 2E3	Diesel	FWD	1968	103	140	09.09-08.15	■	
2.0 TDI (CCHA)	discØ 308, PR 2E3	Diesel	FWD	1968	103	140	09.09-08.15	■	
2.0 TDI 4motion (CAAC)	discØ 308, PR 2E3	Diesel	4WD	1968	103	140	09.09-08.15	■	
2.0 TDI 4motion (CCHA)	discØ 308, PR 2E3	Diesel	4WD	1968	103	140	09.09-08.15	■	
2.0 BitDI (CFCA)	discØ 308, PR 2E3	Diesel	FWD	1968	132	180	09.09-08.15	■	
2.0 BitDI 4motion (CFCA)	discØ 308, PR 2E3	Diesel	4WD	1968	132	180	09.09-08.15	■	
2.5 TDI (AXD)	Rim 17, discØ 333, PR 2E3, PR 2E4, discØ 308	Diesel	FWD	2461	96	130	04.03-11.09	■	
2.5 TDI (AXE)	Rim 17, discØ 333, PR 2E3, PR 2E4, discØ 308	Diesel	FWD	2461	96	130	04.03-11.09	■	
2.5 TDI (BNZ)	Rim 17, discØ 333, PR 2E3, PR 2E4, discØ 308	Diesel	FWD	2461	96	130	04.03-11.09	■	
2.5 TDI 4motion (AXD)	Rim 17, discØ 333, PR 2E3, PR 2E4, discØ 308	Diesel	4WD	2461	96	130	07.04-11.09	■	
2.5 TDI 4motion (BNZ)	Rim 17, discØ 333, PR 2E3, PR 2E4, discØ 308	Diesel	4WD	2461	96	130	07.04-11.09	■	
2.5 TDI (BLJ)	Rim 17, discØ 333, PR 2E3, PR 2E4, discØ 308	Diesel	FWD	2461	120	163	11.03-11.09	■	
2.5 TDI (AXE)	Rim 17, discØ 333, PR 2E3, PR 2E4, discØ 308	Diesel	FWD	2461	128	174	04.03-11.09	■	
2.5 TDI (BPC)	Rim 17, discØ 333, PR 2E3, PR 2E4, discØ 308	Diesel	FWD	2461	128	174	04.03-11.09	■	
2.5 TDI 4motion (AXE)	Rim 17, discØ 333, PR 2E3, PR 2E4, discØ 308	Diesel	4WD	2461	128	174	07.04-11.09	■	
2.5 TDI 4motion (BPC)	Rim 17, discØ 333, PR 2E3, PR 2E4, discØ 308	Diesel	4WD	2461	128	174	07.04-11.09	■	
TRANSPORTER T5 / KOMBI (7HA, 7HH, 7EA, 7EH) 04.03-08.15							Van (LCVs-N1 Segment)		
2.0 (AXA)	Rim 17, discØ 333, PR 2E3, PR 2E4, discØ 308	Gasolina	FWD	1984	85	115	11.03-08.15	■	
2.0 TSI (CJKB)	discØ 308, PR 2E3	Gasolina	FWD	1984	110	150	07.12-08.15	■	
2.0 TSI (CJKA)	discØ 308, PR 2E3	Gasolina	FWD	1984	150	204	05.11-08.15	■	
2.0 TSI 4motion (CJKA)	discØ 308, PR 2E3	Gasolina	4WD	1984	150	204	07.11-08.15	■	
3.2		Gasolina	FWD	3189	170	231	11.03-06.06	■	
VR6 3.2 (BDL)	Rim 17, discØ 333, PR 2E3, PR 2E4, discØ 308	Gasolina	FWD	3189	170	231	04.03-06.05	■	
VR6 3.2 4motion	PR 2E3, PR 2E4, discØ 333, discØ 308	Gasolina	4WD	3189	170	231	04.03-06.05	■	
VR6 3.2 (BKK)	Rim 17, discØ 333, PR 2E3, PR 2E4, discØ 308	Gasolina	FWD	3189	173	235	02.04-11.09	■	
VR6 3.2 (CFLA)	Rim 17, discØ 333, PR 2E3, PR 2E4, discØ 308	Gasolina	FWD	3189	173	235	02.04-11.09	■	

LISTA DE APLICACIONES - BUYERS GUIDE

VR6 3.2 4motion (BKK)	Rim 17, discØ 333, PR 2E3, PR 2E4, discØ 308	Gasolina	4WD	3189	173	235	11.03-11.09	■
VR6 3.2 4motion (CFLA)	Rim 17, discØ 333, PR 2E3, PR 2E4, discØ 308	Gasolina	4WD	3189	173	235	11.03-11.09	■
2.0 BiFuel (AXA)	PR 2E3, PR 2E4, discØ 333, discØ 308	Gasol./Gas (CNG)	FWD	1984	85	115	06.07-08.15	■
1.9 TDI (BRR)	Rim 17, discØ 333, PR 2E3, PR 2E4, discØ 308	Diesel	FWD	1896	62	84	01.06-11.09	■
1.9 TDI (AXC)	Rim 17, discØ 333, PR 2E3, PR 2E4, discØ 308	Diesel	FWD	1896	63	85	04.03-11.09	■
1.9 TDI (BRS)	Rim 17, discØ 333, PR 2E3, PR 2E4, discØ 308	Diesel	FWD	1896	75	102	01.06-11.09	■
1.9 TDI (AXB)	Rim 17, discØ 333, PR 2E3, PR 2E4, discØ 308	Diesel	FWD	1896	77	105	04.03-11.09	■
2.0 TDI (CAAA)	discØ 308, PR 2E3	Diesel	FWD	1968	62	84	09.09-08.15	■
2.0 TDI (CAAB)	discØ 308, PR 2E3	Diesel	FWD	1968	75	102	09.09-08.15	■
2.0 TDI (CAAD)	discØ 308, PR 2E3	Diesel	FWD	1968	84	114	05.11-08.15	■
2.0 TDI (CAAE)	01/11-, discØ 308, PR 2E3	Diesel	FWD	1968	100	136	05.10-08.15	■
2.0 TDI (CCHB)	01/11-, discØ 308, PR 2E3	Diesel	FWD	1968	100	136	05.10-08.15	■
2.0 TDI 4motion (CAAE)	discØ 308, PR 2E3	Diesel	4WD	1968	100	136	05.10-08.15	■
2.0 TDI 4motion (CCHB)	discØ 308, PR 2E3	Diesel	4WD	1968	100	136	05.10-08.15	■
2.0 TDI (CAAC)	discØ 308, PR 2E3	Diesel	FWD	1968	103	140	09.09-08.15	■
2.0 TDI (CCHA)	discØ 308, PR 2E3	Diesel	FWD	1968	103	140	09.09-08.15	■
2.0 TDI 4motion (CAAC)	discØ 308, PR 2E3	Diesel	4WD	1968	103	140	09.09-08.15	■
2.0 TDI 4motion (CCHA)	discØ 308, PR 2E3	Diesel	4WD	1968	103	140	09.09-08.15	■
2.0 BiTDI (CFCA)	discØ 308, PR 2E3	Diesel	FWD	1968	132	180	09.09-08.15	■
2.0 BiTDI 4motion (CFCA)	discØ 308, PR 2E3	Diesel	4WD	1968	132	180	09.09-08.15	■
2.5 TDI (AXD)	Rim 17, discØ 333, PR 2E3, PR 2E4, discØ 308	Diesel	FWD	2461	96	130	04.03-11.09	■
2.5 TDI (BNZ)	Rim 17, discØ 333, PR 2E3, PR 2E4, discØ 308	Diesel	FWD	2461	96	130	04.03-11.09	■
2.5 TDI 4motion (AXD)	Rim 17, discØ 333, PR 2E3, PR 2E4, discØ 308	Diesel	4WD	2461	96	130	07.04-11.09	■
2.5 TDI 4motion (BNZ)	Rim 17, discØ 333, PR 2E3, PR 2E4, discØ 308	Diesel	4WD	2461	96	130	07.04-11.09	■
2.5 TDI (AXE)	Rim 17, discØ 333, PR 2E3, PR 2E4, discØ 308	Diesel	FWD	2461	128	174	04.03-11.09	■
2.5 TDI (BPC)	Rim 17, discØ 333, PR 2E3, PR 2E4, discØ 308	Diesel	FWD	2461	128	174	04.03-11.09	■
2.5 TDI 4motion (AXE)	Rim 17, discØ 333, PR 2E3, PR 2E4, discØ 308	Diesel	4WD	2461	128	174	07.04-11.09	■
2.5 TDI 4motion (BPC)	Rim 17, discØ 333, PR 2E3, PR 2E4, discØ 308	Diesel	4WD	2461	128	174	07.04-11.09	■