

LISTA DE APLICACIONES - BUYERS GUIDE

181779

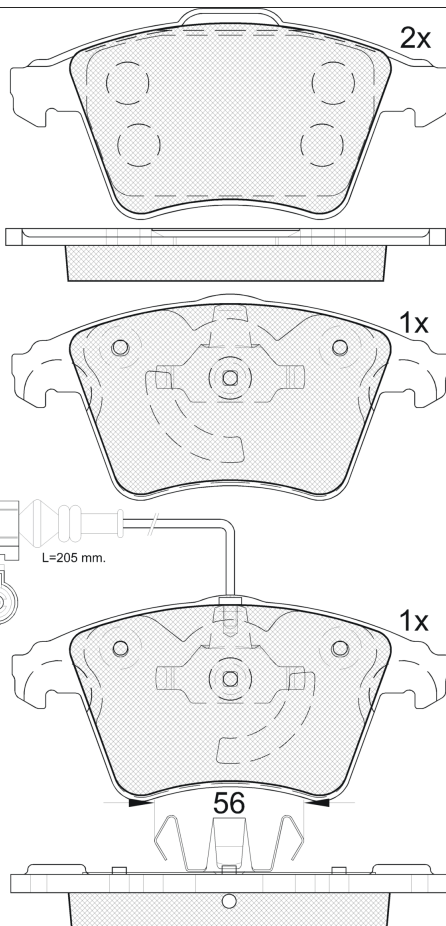


8 424073 095626

Qty: 300

Weight: 2.376

O.E.M.	MAKE
7H0 698 151	VW
7H0 698 151 D	VW
7H0 698 151 F	VW
86 60 000 756	RENAULT
86 60 004 528	RENAULT
JZW 698 151 Q	VW



181779

E 9 90R-01111/1141



Ate - Teves

155.1x73.3x19.8

156.3x74.95x19.8

WVA	FMSI
23467	D1174-8287
23468	
23469	
23746	
23747	
MAKE	
TALBOT	
VW	



Trac.	CC	Kw	CV
-------	----	----	----



Front / Rear

TALBOT

EXPRESS 1000 -1500 07.82-10.94

Bus (Minibus-M2-Segment)

1.8 (XM7T)	PR 2E3, discØ 308	Gasolina	FWD	1796	51	69	07.83-10.90	■
------------	-------------------	----------	-----	------	----	----	-------------	---

VW

CALIFORNIA T5 (7EC, 7EF, 7EG, 7HF, 7HC) 04.03-04.16

Bus (LCVs-N1 Segment)

2.0 TSI		Gasolina	FWD	1984	110	150	07.12-08.15	■
2.0 TSI		Gasolina	FWD	1984	150	204	05.11-08.15	■
2.0 TSI 4motion		Gasolina	4WD	1984	150	204	07.11-08.15	■
1.9 TDI		Diesel	FWD	1896	63	85	05.07-11.09	■
1.9 TDI		Diesel	FWD	1896	75	102	05.07-11.09	■
1.9 TDI		Diesel	FWD	1896	77	105	05.07-11.09	■
2.0 TDI		Diesel	FWD	1968	62	84	09.09-08.15	■
2.0 TDI		Diesel	FWD	1968	75	102	09.09-08.15	■
2.0 TDI		Diesel	FWD	1968	84	114	05.11-08.15	■
2.0 TDI		Diesel	FWD	1968	100	136	05.10-08.15	■
2.0 TDI 4motion		Diesel	4WD	1968	100	136	05.10-08.15	■
2.0 TDI		Diesel	FWD	1968	103	140	09.09-08.15	■
2.0 TDI 4motion		Diesel	4WD	1968	103	140	10.09-08.15	■
2.0 TDI		Diesel	FWD	1968	132	180	09.09-08.15	■
2.0 TDI 4motion		Diesel	4WD	1968	132	180	01.10-08.15	■
2.5 TDI		Diesel	FWD	2461	96	130	05.07-11.09	■
2.5 TDI 4motion		Diesel	4WD	2461	96	130	05.07-11.09	■
2.5 TDI		Diesel	FWD	2461	120	163	05.07-11.09	■
2.5 TDI		Diesel	FWD	2461	128	174	05.07-11.09	■
2.5 TDI 4motion		Diesel	4WD	2461	128	174	05.07-11.09	■

LISTA DE APLICACIONES - BUYERS GUIDE

CALIFORNIA T6 (SGC, SGG, SHC) 04.15-						Bus (LCVs-N1 Segment)			
2.0 TSI		Gasolina	FWD	1984	110	150	04.15-07.19	■	
2.0 TSI		Gasolina	FWD	1984	150	204	04.15-07.19	■	
2.0 TSI 4motion		Gasolina	4WD	1984	150	204	06.15-07.19	■	
2.0 TDI		Diesel	FWD	1968	62	84	04.15-07.19	■	
2.0 TDI		Diesel	FWD	1968	75	102	04.15-12.19	■	
2.0 TDI		Diesel	FWD	1968	84	114	05.16-08.19	■	
2.0 TDI		Diesel	FWD	1968	103	140	04.15-12.19	■	
2.0 TDI 4motion		Diesel	4WD	1968	103	140	06.15-12.19	■	
2.0 TDI		Diesel	FWD	1968	110	150	04.15-08.24	■	
2.0 TDI 4motion		Diesel	4WD	1968	110	150	08.15-08.24	■	
2.0 TDI		Diesel	FWD	1968	132	180	04.15-12.19	■	
2.0 TDI 4motion		Diesel	4WD	1968	132	180	06.15-12.19	■	
2.0 TDI		Diesel	FWD	1968	146	199	08.18-08.24	■	
2.0 TDI 4motion		Diesel	4WD	1968	146	199	08.18-08.24	■	
2.0 TDI		Diesel	FWD	1968	150	204	06.15-08.24	■	
2.0 TDI 4motion		Diesel	4WD	1968	150	204	06.15-08.24	■	
MULTIVAN V (7HM, 7HN, 7HF, 7EF, 7EM, 7EN) 04.03-03.16						Bus (Minibus-M2-Segment)			
2.0 (AXA)	discØ 308, PR 2E3, PR K4H, PR K4J, PR K4L, discØ 333, PR 2E4	Gasolina	FWD	1984	85	115	11.03-08.15	■	
2.0 TSI (CJKB)	PR 2E3, discØ 308	Gasolina	FWD	1984	110	150	07.12-08.15	■	
2.0 TSI (CJKA)	discØ 308, PR 2E3, PR K4H, PR K4J, PR K4L	Gasolina	FWD	1984	150	204	05.11-08.15	■	
2.0 TSI 4motion (CJKA)	discØ 308, PR 2E3, PR K4H, PR K4J, PR K4L	Gasolina	4WD	1984	150	204	07.11-08.15	■	
VR6 3.2 (BDL)	Rim 16, discØ 308, PR 2E3, discØ 333, PR 2E4	Gasolina	FWD	3189	170	231	02.04-06.04	■	
VR6 3.2 (BKK)	Rim 16, discØ 308, PR 2E3, discØ 333, PR 2E4	Gasolina	FWD	3189	173	235	02.04-12.09	■	
VR6 3.2 (CFLA)	Rim 16, discØ 308, PR 2E3, discØ 333, PR 2E4	Gasolina	FWD	3189	173	235	02.04-12.09	■	
VR6 3.2 4motion (BKK)	Rim 16, discØ 308, PR 2E3, discØ 333, PR 2E4	Gasolina	4WD	3189	173	235	07.04-12.09	■	
VR6 3.2 4motion (CFLA)	Rim 16, discØ 308, PR 2E3, discØ 333, PR 2E4	Gasolina	4WD	3189	173	235	07.04-12.09	■	
1.9 TDI (BRR)	Rim 16, discØ 308, PR 2E3, discØ 333, PR 2E4	Diesel	FWD	1896	62	84	01.06-11.09	■	
1.9 TDI (AXC)	discØ 308, PR 2E3, PR K4A, PR K4B, discØ 333, PR 2E4	Diesel	FWD	1896	63	85	04.03-11.09	■	
1.9 TDI (BRS)	discØ 308, PR 2E3, PR K4H, PR K4J, PR K4L, discØ 333, PR 2E4	Diesel	FWD	1896	75	102	01.06-11.09	■	
1.9 TDI (AXB)	Rim 16, discØ 308, PR 2E3, discØ 333, PR 2E4	Diesel	FWD	1896	77	105	04.03-11.09	■	
2.0 TDI (CAAA)	discØ 308, PR 2E3, PR K4H, PR K4J, PR K4L	Diesel	FWD	1968	62	84	09.09-08.15	■	
2.0 TDI (CAAB)	discØ 308, PR 2E3, PR K4H, PR K4J, PR K4L	Diesel	FWD	1968	75	102	09.09-08.15	■	
2.0 TDI (CAAD)	discØ 308, PR 2E3, PR K4H, PR K4J, PR K4L	Diesel	FWD	1968	84	114	05.11-08.15	■	
2.0 TDI (CAAE)	PR 2E3, discØ 308	Diesel	FWD	1968	100	136	05.10-08.15	■	
2.0 TDI (CCHB)	PR 2E3, discØ 308	Diesel	FWD	1968	100	136	05.10-08.15	■	
2.0 TDI 4motion (CAAE)	PR 2E3, discØ 308	Diesel	4WD	1968	100	136	05.10-08.15	■	
2.0 TDI 4motion (CCHB)	PR 2E3, discØ 308	Diesel	4WD	1968	100	136	05.10-08.15	■	
2.0 TDI (CAAC)	discØ 308, PR 2E3, PR K4H, PR K4J, PR K4L	Diesel	FWD	1968	103	140	09.09-08.15	■	
2.0 TDI (CCHA)	discØ 308, PR 2E3, PR K4H, PR K4J, PR K4L	Diesel	FWD	1968	103	140	09.09-08.15	■	
2.0 TDI 4motion (CAAC)	discØ 308, PR 2E3, PR K4H, PR K4J, PR K4L	Diesel	4WD	1968	103	140	09.09-08.15	■	

LISTA DE APLICACIONES - BUYERS GUIDE

2.0 TDI 4motion (CCHA)	discØ 308, PR 2E3, PR K4H, PR K4J, PR K4L	Diesel	4WD	1968	103	140	09.09-08.15	■	
2.0 BITDI (CFCA)	PR 2E3, discØ 308	Diesel	FWD	1968	132	180	09.09-08.15	■	
2.0 BiTDI 4motion (CFCA)	PR 2E3, discØ 308	Diesel	4WD	1968	132	180	09.09-08.15	■	
2.5 TDI (AXD)	Rim 16, discØ 308, PR 2E3, discØ 333, PR 2E4	Diesel	FWD	2461	96	130	04.03-11.09	■	
2.5 TDI (BNZ)	Rim 16, discØ 308, PR 2E3, discØ 333, PR 2E4	Diesel	FWD	2461	96	130	04.03-11.09	■	
2.5 TDI 4motion (AXD)	Rim 16, discØ 308, PR 2E3, discØ 333, PR 2E4	Diesel	4WD	2461	96	130	07.04-11.09	■	
2.5 TDI 4motion (BNZ)	Rim 16, discØ 308, PR 2E3, discØ 333, PR 2E4	Diesel	4WD	2461	96	130	07.04-11.09	■	
2.5 TDI (BLJ)	Rim 16, discØ 308, PR 2E3, discØ 333, PR 2E4	Diesel	FWD	2461	120	163	11.03-11.09	■	
2.5 TDI (AXE)	Rim 16, discØ 308, PR 2E3, discØ 333, PR 2E4	Diesel	FWD	2461	128	174	04.03-11.09	■	
2.5 TDI (BPC)	Rim 16, discØ 308, PR 2E3, discØ 333, PR 2E4	Diesel	FWD	2461	128	174	04.03-11.09	■	
2.5 TDI 4motion (AXE)	Rim 16, discØ 308, PR 2E3, discØ 333, PR 2E4	Diesel	4WD	2461	128	174	07.04-11.09	■	
2.5 TDI 4motion (BPC)	Rim 16, discØ 308, PR 2E3, discØ 333, PR 2E4	Diesel	4WD	2461	128	174	07.04-11.09	■	
MULTIVAN VI (SGF, SGM, SGN, SHM, SHN) 04.15-							Bus (Minibus-M2-Segment)		
2.0 TSI (CJKB)	PR 2E3, discØ 308	Gasolina	FWD	1984	110	150	04.15-07.19	■	
2.0 TSI (CJKA)	PR 2E3, discØ 308	Gasolina	FWD	1984	150	204	04.15-07.19	■	
2.0 TSI 4motion (CJKA)	PR 2E3, discØ 308	Gasolina	4WD	1984	150	204	06.15-07.19	■	
2.0 TDI (CXGA)	PR 2E3, discØ 308	Diesel	FWD	1968	62	84	04.15-07.19	■	
2.0 TDI (CAAB)	PR 2E3, discØ 308	Diesel	FWD	1968	75	102	04.15-12.19	■	
2.0 TDI (CXGB)	PR 2E3, discØ 308	Diesel	FWD	1968	75	102	04.15-12.19	■	
2.0 TDI (CXHB)	PR 2E3, discØ 308	Diesel	FWD	1968	84	114	05.16-08.19	■	
2.0 TDI (CAAC)	PR 2E3, discØ 308	Diesel	FWD	1968	103	140	04.15-12.19	■	
2.0 TDI 4motion (CAAC)	PR 2E3, discØ 308	Diesel	4WD	1968	103	140	06.15-12.19	■	
2.0 TDI (CXFA)	PR 2E3, discØ 308	Diesel	FWD	1968	110	150	04.15-08.24	■	
2.0 TDI (CXHA)	PR 2E3, discØ 308	Diesel	FWD	1968	110	150	04.15-08.24	■	
2.0 TDI 4motion (CXFA)	PR 2E3, discØ 308	Diesel	4WD	1968	110	150	08.15-08.24	■	
2.0 TDI 4motion (CXHA)	PR 2E3, discØ 308	Diesel	4WD	1968	110	150	08.15-08.24	■	
2.0 TDI (CFCA)	PR 2E3, discØ 308	Diesel	FWD	1968	132	180	04.15-12.19	■	
2.0 TDI 4motion (CFCA)	PR 2E3, discØ 308	Diesel	4WD	1968	132	180	06.15-12.19	■	
2.0 TDI (CXEC)		Diesel	FWD	1968	146	199	08.18-08.24	■	
2.0 TDI 4motion (CXEC)		Diesel	4WD	1968	146	199	08.18-08.24	■	
2.0 TDI (CXEB)	PR 2E3, discØ 308	Diesel	FWD	1968	150	204	06.15-08.24	■	
2.0 TDI 4motion (CXEB)	PR 2E3, discØ 308	Diesel	4WD	1968	150	204	06.15-08.24	■	
TRANSPORTER T4 / EUROVAN (70E, 70L, 70M, 7DE, 7DL, 7DM) 07.90-04.03							Platform/Chassis (LCVs-N1 Segment)		
1.9 TD (ABL)	PR 2E3, discØ 308	Diesel	FWD	1896	50	68	10.92-04.03	■	
TRANSPORTER T5 (7JD, 7JE, 7JL, 7JY, 7JZ, 7FD, 7FE, 7FL, 7FY, 7FZ) 04.03-03.16							Platform/Chassis (LCVs-N1 Segment)		
2.0 (AXA)	Rim 16, discØ 308, PR 2E3	Gasolina	FWD	1984	85	115	11.03-05.13	■	
2.0 TSI (CJKB)	PR 2E3, discØ 308	Gasolina	FWD	1984	110	150	07.12-08.15	■	
VR6 3.2 (BDL)	Rim 16, discØ 308, PR 2E3	Gasolina	FWD	3189	170	231	02.04-11.09	■	
VR6 3.2 4motion (BDL)	PR 2E3, discØ 308	Gasolina	4WD	3189	170	231	11.03-11.09	■	
VR6 3.2 (BKK)	Rim 16, discØ 308, PR 2E3	Gasolina	FWD	3189	173	235	08.03-11.09	■	
VR6 3.2 4motion		Gasolina	4WD	3189	173	235	11.03-11.09	■	
2.0 CNG (AXA)	PR 2E3, discØ 308	Gasol./Gas (CNG)	FWD	1984	85	115	11.03-05.11	■	
1.9 TDI (BRR)	Rim 16, discØ 308, PR 2E3	Diesel	FWD	1896	62	84	01.06-11.09	■	
1.9 TDI (AXC)	Rim 16, discØ 308, PR 2E3	Diesel	FWD	1896	63	85	04.03-11.09	■	

LISTA DE APLICACIONES - BUYERS GUIDE

1.9 TDI (BRS)	Rim 16, discØ 308, PR 2E3	Diesel	FWD	1896	75	102	01.06-11.09	■	
1.9 TDI (AXB)	Rim 16, discØ 308, PR 2E3	Diesel	FWD	1896	77	105	04.03-11.09	■	
2.0 TDI (CAAA)	discØ 308, PR 2E3, PR K4H, PR K4J, PR K4L	Diesel	FWD	1968	62	84	09.09-08.15	■	
2.0 TDI (CAAB)	discØ 308, PR 2E3, PR K4H, PR K4J, PR K4L	Diesel	FWD	1968	75	102	09.09-08.15	■	
2.0 TDI (CAAD)	discØ 308, PR 2E3, PR K4H, PR K4J, PR K4L	Diesel	FWD	1968	84	114	05.11-08.15	■	
2.0 TDI (CAAE)	discØ 308, PR 2E3, PR K4A, PR K4B	Diesel	FWD	1968	100	136	05.10-08.15	■	
2.0 TDI 4motion (CAAE)	discØ 308, PR 2E3, PR K4A, PR K4B	Diesel	4WD	1968	100	136	05.10-08.15	■	
2.0 TDI 4motion (CCHB)	discØ 308, PR 2E3, PR K4A, PR K4B	Diesel	4WD	1968	100	136	05.10-08.15	■	
2.0 TDI (CAAC)	discØ 308, PR 2E3, PR K4H, PR K4J, PR K4L	Diesel	FWD	1968	103	140	09.09-08.15	■	
2.0 TDI (CCHA)	discØ 308, PR 2E3, PR K4H, PR K4J, PR K4L	Diesel	FWD	1968	103	140	09.09-08.15	■	
2.0 TDI 4motion (CAAC)	discØ 308, PR 2E3, PR K4H, PR K4J, PR K4L	Diesel	4WD	1968	103	140	09.09-08.15	■	
2.0 TDI 4motion (CCHA)	discØ 308, PR 2E3, PR K4H, PR K4J, PR K4L	Diesel	4WD	1968	103	140	09.09-08.15	■	
2.0 BitDI (CFCA)	PR 2E3, discØ 308	Diesel	FWD	1968	132	180	09.09-08.15	■	
2.0 BitDI 4motion (CFCA)	PR 2E3, discØ 308	Diesel	4WD	1968	132	180	09.09-08.15	■	
2.5 TDI (AXD)	Rim 16, discØ 308, PR 2E3	Diesel	FWD	2461	96	130	04.03-11.09	■	
2.5 TDI (BNZ)	Rim 16, discØ 308, PR 2E3	Diesel	FWD	2461	96	130	04.03-11.09	■	
2.5 TDI 4motion (AXD)	Rim 16, discØ 308, PR 2E3	Diesel	4WD	2461	96	130	07.04-11.09	■	
2.5 TDI 4motion (BNZ)	Rim 16, discØ 308, PR 2E3	Diesel	4WD	2461	96	130	07.04-11.09	■	
2.5 TDI (AXE)	Rim 16, discØ 308, PR 2E3	Diesel	FWD	2461	128	174	04.03-11.09	■	
2.5 TDI (BPC)	Rim 16, discØ 308, PR 2E3	Diesel	FWD	2461	128	174	04.03-11.09	■	
2.5 TDI 4motion (AXE)	Rim 16, discØ 308, PR 2E3	Diesel	4WD	2461	128	174	04.04-11.09	■	
2.5 TDI 4motion (BPC)	Rim 16, discØ 308, PR 2E3	Diesel	4WD	2461	128	174	04.04-11.09	■	
TRANSPORTER T5 / EUROVAN / KOMBI-CARAVALLE (7HB, 7HJ, 7EB, 7EJ) 04.03-03.16							Bus (Minibus-M2-Segment)		
2.0 (AXA)	Rim 16, discØ 308, PR 2E3, discØ 333, PR 2E4	Gasolina	FWD	1984	85	115	11.03-08.15	■	
2.0 TSI (CJKB)	PR 2E3, discØ 308	Gasolina	FWD	1984	110	150	07.12-08.15	■	
2.0 TSI (CJKA)	discØ 308, PR 2E3, PR K4H, PR K4J, PR K4L	Gasolina	FWD	1984	150	204	05.11-08.15	■	
2.0 TSI 4motion (CJKA)	discØ 308, PR 2E3, PR K4H, PR K4J, PR K4L	Gasolina	4WD	1984	150	204	07.11-08.15	■	
VR6 3.2 (BDL)	Rim 16, discØ 308, PR 2E3, discØ 333, PR 2E4	Gasolina	FWD	3189	170	231	02.04-06.04	■	
VR6 3.2 4motion (BDL)	PR 2E3, discØ 308, discØ 333, PR 2E4	Gasolina	4WD	3189	170	231	11.03-11.09	■	
3.2 V6 4motion (BKK)	Rim 16, discØ 308, PR 2E3, discØ 333, PR 2E4	Gasolina	4WD	3189	173	235	11.03-12.09	■	
3.2 V6 4motion (CFLA)	Rim 16, discØ 308, PR 2E3, discØ 333, PR 2E4	Gasolina	4WD	3189	173	235	11.03-12.09	■	
VR6 3.2 (BKK)	Rim 16, discØ 308, PR 2E3, discØ 333, PR 2E4	Gasolina	FWD	3189	173	235	02.04-11.09	■	
VR6 3.2 (CFLA)	Rim 16, discØ 308, PR 2E3, discØ 333, PR 2E4	Gasolina	FWD	3189	173	235	02.04-11.09	■	
2.0 CNG (AXA)	PR 2E3, discØ 308, discØ 333, PR 2E4	Gasol./Gas (CNG)	FWD	1984	85	115	01.06-08.15	■	
1.9 TDI (BRR)	Rim 16, discØ 308, PR 2E3, discØ 333, PR 2E4	Diesel	FWD	1896	62	84	01.06-11.09	■	
1.9 TDI (AXC)	Rim 16, discØ 308, PR 2E3, PR 2E4, discØ 333	Diesel	FWD	1896	63	85	04.03-11.09	■	
1.9 TDI (BRS)	Rim 16, discØ 308, PR 2E3, PR 2E4, discØ 333	Diesel	FWD	1896	75	102	01.06-11.09	■	
1.9 TDI (AXB)	Rim 16, discØ 308, PR 2E3, PR 2E4, discØ 333	Diesel	FWD	1896	77	105	04.03-11.09	■	
2.0 TDI (CAAA)	discØ 308, PR 2E3, PR K4H, PR K4J, PR K4L	Diesel	FWD	1968	62	84	09.09-08.15	■	

LISTA DE APLICACIONES - BUYERS GUIDE

2.0 TDI (CAAB)	discØ 308, PR 2E3, PR K4H, PR K4J, PR K4L	Diesel	FWD	1968	75	102	09.09-08.15	■	
2.0 TDI (CAAD)	01/12-, discØ 308, PR 2E3, PR K4H, PR K4J, PR K4L	Diesel	FWD	1968	84	114	05.11-08.15	■	
2.0 TDI (CSDA)	PR 2E3, discØ 308	Diesel	FWD	1968	85	116	05.11-08.15	■	
2.0 TDI (CAAE)	PR 2E3, discØ 308	Diesel	FWD	1968	100	136	05.10-08.15	■	
2.0 TDI (CCHB)	PR 2E3, discØ 308	Diesel	FWD	1968	100	136	05.10-08.15	■	
2.0 TDI 4motion (CAAE)	PR 2E3, discØ 308	Diesel	4WD	1968	100	136	05.10-08.15	■	
2.0 TDI 4motion (CCHB)	PR 2E3, discØ 308	Diesel	4WD	1968	100	136	05.10-08.15	■	
2.0 TDI (CAAC)	discØ 308, PR 2E3, PR K4H, PR K4J, PR K4L	Diesel	FWD	1968	103	140	09.09-08.15	■	
2.0 TDI (CCHA)	discØ 308, PR 2E3, PR K4H, PR K4J, PR K4L	Diesel	FWD	1968	103	140	09.09-08.15	■	
2.0 TDI 4motion (CAAC)	discØ 308, PR 2E3, PR K4H, PR K4J, PR K4L	Diesel	4WD	1968	103	140	09.09-08.15	■	
2.0 TDI 4motion (CCHA)	discØ 308, PR 2E3, PR K4H, PR K4J, PR K4L	Diesel	4WD	1968	103	140	09.09-08.15	■	
2.0 BitDI (CFCA)	PR 2E3, discØ 308	Diesel	FWD	1968	132	180	09.09-08.15	■	
2.0 BitDI 4motion (CFCA)	PR 2E3, discØ 308	Diesel	4WD	1968	132	180	09.09-08.15	■	
2.5 TDI (AXD)	Rim 16, discØ 308, PR 2E3, PR 2E4 discØ 333	Diesel	FWD	2461	96	130	04.03-11.09	■	
2.5 TDI (AXE)	Rim 16, discØ 308, PR 2E3, PR 2E4 discØ 333	Diesel	FWD	2461	96	130	04.03-11.09	■	
2.5 TDI (BNZ)	Rim 16, discØ 308, PR 2E3, PR 2E4 discØ 333	Diesel	FWD	2461	96	130	04.03-11.09	■	
2.5 TDI 4motion (AXD)	Rim 16, discØ 308, PR 2E3, PR 2E4, discØ 333	Diesel	4WD	2461	96	130	07.04-11.09	■	
2.5 TDI 4motion (BNZ)	Rim 16, discØ 308, PR 2E3, PR 2E4, discØ 333	Diesel	4WD	2461	96	130	07.04-11.09	■	
2.5 TDI (BLJ)	Rim 16, discØ 308, PR 2E3, PR 2E4, discØ 333	Diesel	FWD	2461	120	163	11.03-11.09	■	
2.5 TDI (AXE)	Rim 16, discØ 308, PR 2E3, PR 2E4, discØ 333	Diesel	FWD	2461	128	174	04.03-11.09	■	
2.5 TDI (BPC)	Rim 16, discØ 308, PR 2E3, PR 2E4, discØ 333	Diesel	FWD	2461	128	174	04.03-11.09	■	
2.5 TDI 4motion (AXE)	Rim 16, discØ 308, PR 2E3, PR 2E4, discØ 333	Diesel	4WD	2461	128	174	07.04-11.09	■	
2.5 TDI 4motion (BPC)	Rim 16, discØ 308, PR 2E3, PR 2E4, discØ 333	Diesel	4WD	2461	128	174	07.04-11.09	■	
TRANSPORTER T5 / KOMBI (7HA, 7HH, 7EA, 7EH) 04.03-08.15							Van (LCVs-N1 Segment)		
2.0 (AXA)	Rim 16, discØ 308, PR 2E3, discØ 333, PR 2E4	Gasolina	FWD	1984	85	115	11.03-08.15	■	
2.0 TSI (CJKB)	PR 2E3, discØ 308	Gasolina	FWD	1984	110	150	07.12-08.15	■	
2.0 TSI (CJKA)	discØ 308, PR 2E3, PR K4H, PR K4J, PR K4L	Gasolina	FWD	1984	150	204	05.11-08.15	■	
2.0 TSI 4motion (CJKA)	discØ 308, PR 2E3, PR K4H, PR K4J, PR K4L	Gasolina	4WD	1984	150	204	07.11-08.15	■	
VR6 3.2 (BDL)	Rim 16, discØ 308, PR 2E3, discØ 333, PR 2E4	Gasolina	FWD	3189	170	231	04.03-06.05	■	
VR6 3.2 4motion	PR 2E3, discØ 308, discØ 333, PR 2E4	Gasolina	4WD	3189	170	231	04.03-06.05	■	
VR6 3.2 (BKK)	Rim 16, discØ 308, PR 2E3, discØ 333, PR 2E4	Gasolina	FWD	3189	173	235	02.04-11.09	■	
VR6 3.2 (CFLA)	Rim 16, discØ 308, PR 2E3, discØ 333, PR 2E4	Gasolina	FWD	3189	173	235	02.04-11.09	■	
VR6 3.2 4motion (BKK)	Rim 16, discØ 308, PR 2E3, discØ 333, PR 2E4	Gasolina	4WD	3189	173	235	11.03-11.09	■	
VR6 3.2 4motion (CFLA)	Rim 16, discØ 308, PR 2E3, discØ 333, PR 2E4	Gasolina	4WD	3189	173	235	11.03-11.09	■	
2.0 BiFuel (AXA)	PR 2E3, discØ 308, discØ 333, PR 2E4	Gasol./Gas (CNG)	FWD	1984	85	115	06.07-08.15	■	
1.9 TDI (BRR)	Rim 16, discØ 308, PR 2E3, discØ 333, PR 2E4	Diesel	FWD	1896	62	84	01.06-11.09	■	
1.9 TDI (AXC)	Rim 16, discØ 308, PR 2E3, discØ 333, PR 2E4	Diesel	FWD	1896	63	85	04.03-11.09	■	

LISTA DE APLICACIONES - BUYERS GUIDE

1.9 TDI (BRS)	Rim 16, discØ 308, PR 2E3, discØ 333, PR 2E4	Diesel	FWD	1896	75	102	01.06-11.09	■	
1.9 TDI (AXB)	Rim 16, discØ 308, PR 2E3, discØ 333, PR 2E4	Diesel	FWD	1896	77	105	04.03-11.09	■	
2.0 TDI (CAAA)	discØ 308, PR 2E3, PR K4H, PR K4J, PR K4L	Diesel	FWD	1968	62	84	09.09-08.15	■	
2.0 TDI (CAAB)	discØ 308, PR 2E3, PR K4H, PR K4J, PR K4L	Diesel	FWD	1968	75	102	09.09-08.15	■	
2.0 TDI (CAAD)	discØ 308, PR 2E3, PR K4H, PR K4J, PR K4L	Diesel	FWD	1968	84	114	05.11-08.15	■	
2.0 TDI (CAAE)	discØ 308, PR 2E3, PR K4A, PR K4B	Diesel	FWD	1968	100	136	05.10-08.15	■	
2.0 TDI (CCHB)	discØ 308, PR 2E3, PR K4A, PR K4B	Diesel	FWD	1968	100	136	05.10-08.15	■	
2.0 TDI 4motion (CAAE)	discØ 308, PR 2E3, PR K4A, PR K4B	Diesel	4WD	1968	100	136	05.10-08.15	■	
2.0 TDI 4motion (CCHB)	discØ 308, PR 2E3, PR K4A, PR K4B	Diesel	4WD	1968	100	136	05.10-08.15	■	
2.0 TDI (CAAC)	discØ 308, PR 2E3, PR K4H, PR K4J, PR K4L	Diesel	FWD	1968	103	140	09.09-08.15	■	
2.0 TDI (CCHA)	discØ 308, PR 2E3, PR K4H, PR K4J, PR K4L	Diesel	FWD	1968	103	140	09.09-08.15	■	
2.0 TDI 4motion (CAAC)	discØ 308, PR 2E3, PR K4H, PR K4J, PR K4L	Diesel	4WD	1968	103	140	09.09-08.15	■	
2.0 TDI 4motion (CCHA)	discØ 308, PR 2E3, PR K4H, PR K4J, PR K4L	Diesel	4WD	1968	103	140	09.09-08.15	■	
2.0 BitDI (CFCA)	PR 2E3, discØ 308	Diesel	FWD	1968	132	180	09.09-08.15	■	
2.0 BitDI 4motion (CFCA)	PR 2E3, discØ 308	Diesel	4WD	1968	132	180	09.09-08.15	■	
2.5 TDI (AXD)	Rim 16, discØ 308, PR 2E3, discØ 333, PR 2E4	Diesel	FWD	2461	96	130	04.03-11.09	■	
2.5 TDI (BNZ)	Rim 16, discØ 308, PR 2E3, discØ 333, PR 2E4	Diesel	FWD	2461	96	130	04.03-11.09	■	
2.5 TDI 4motion (AXD)	Rim 16, discØ 308, PR 2E3, discØ 333, PR 2E4	Diesel	4WD	2461	96	130	07.04-11.09	■	
2.5 TDI 4motion (BNZ)	Rim 16, discØ 308, PR 2E3, discØ 333, PR 2E4	Diesel	4WD	2461	96	130	07.04-11.09	■	
2.5 TDI (AXE)	Rim 16, discØ 308, PR 2E3, discØ 333, PR 2E4	Diesel	FWD	2461	128	174	04.03-11.09	■	
2.5 TDI (BPC)	Rim 16, discØ 308, PR 2E3, discØ 333, PR 2E4	Diesel	FWD	2461	128	174	04.03-11.09	■	
2.5 TDI 4motion (AXE)	Rim 16, discØ 308, PR 2E3, discØ 333, PR 2E4	Diesel	4WD	2461	128	174	07.04-11.09	■	
2.5 TDI 4motion (BPC)	Rim 16, discØ 308, PR 2E3, discØ 333, PR 2E4	Diesel	4WD	2461	128	174	07.04-11.09	■	
TRANSPORTER T6 (SFD, SFE, SFL, SFZ, SJD, SJE, SJL, SJZ) 04.15-							Platform/Chassis (LCVs-N1 Segment)		
2.0 TSI (CJKB)	PR 2E3, discØ 308	Gasolina	FWD	1984	110	150	04.15-06.19	■	
2.0 TDI (CAAA)	PR 2E3, discØ 308	Diesel	FWD	1968	62	84	04.15-11.19	■	
2.0 TDI (CXGA)	PR 2E3, discØ 308	Diesel	FWD	1968	62	84	04.15-11.19	■	
2.0 TDI (CAAB)	PR 2E3, discØ 308	Diesel	FWD	1968	75	102	04.15-11.19	■	
2.0 TDI (CXGB)	PR 2E3, discØ 308	Diesel	FWD	1968	75	102	04.15-11.19	■	
2.0 TDI (CXHB)	PR 2E3, discØ 308	Diesel	FWD	1968	84	114	05.16-11.19	■	
2.0 TDI (CAAC)	PR 2E3, discØ 308	Diesel	FWD	1968	103	140	04.15-11.19	■	
2.0 TDI 4motion (CAAC)	PR 2E3, discØ 308	Diesel	4WD	1968	103	140	06.15-11.19	■	
2.0 TDI (CXHA)	PR 2E3, discØ 308	Diesel	FWD	1968	110	150	08.15-08.24	■	
2.0 TDI 4motion (CXHA)	PR 2E3, discØ 308	Diesel	4WD	1968	110	150	05.16-08.24	■	
2.0 TDI (CFCA)	PR 2E3, discØ 308	Diesel	FWD	1968	132	180	04.15-11.19	■	
2.0 TDI 4motion (CFCA)	PR 2E3, discØ 308	Diesel	4WD	1968	132	180	06.15-11.19	■	
2.0 TDI (CXEB)	PR 2E3, discØ 308	Diesel	FWD	1968	150	204	05.16-08.24	■	
2.0 TDI 4motion (CXEB)	PR 2E3, discØ 308	Diesel	4WD	1968	150	204	05.16-08.24	■	
TRANSPORTER T6 (SGA, SGH, SHA, SHH) 04.15-							Van (LCVs-N1 Segment)		
2.0 TSI (CJKB)	PR 2E3, discØ 308	Gasolina	FWD	1984	110	150	04.15-07.19	■	
2.0 TSI (CJKA)	PR 2E3, discØ 308	Gasolina	FWD	1984	150	204	04.15-07.19	■	

LISTA DE APLICACIONES - BUYERS GUIDE

2.0 TSI 4motion (CJKA)	PR 2E3, discØ 308	Gasolina	4WD	1984	150	204	06.15-07.19	■	
2.0 TDI (CAAA)	PR 2E3, discØ 308	Diesel	FWD	1968	62	84	04.15-07.19	■	
2.0 TDI (CXGA)	PR 2E3, discØ 308	Diesel	FWD	1968	62	84	04.15-07.19	■	
2.0 TDI (CAAB)	PR 2E3, discØ 308	Diesel	FWD	1968	75	102	04.15-12.19	■	
2.0 TDI (CXGB)	PR 2E3, discØ 308	Diesel	FWD	1968	75	102	04.15-12.19	■	
2.0 TDI (CXHB)	PR 2E3, discØ 308	Diesel	FWD	1968	84	114	05.16-08.19	■	
2.0 TDI (CAAC)	PR 2E3, discØ 308	Diesel	FWD	1968	103	140	04.15-12.19	■	
2.0 TDI 4motion (CAAC)	PR 2E3, discØ 308	Diesel	4WD	1968	103	140	06.15-12.19	■	
2.0 TDI (CXFA)	PR 2E3, discØ 308	Diesel	FWD	1968	110	150	04.15-08.24	■	
2.0 TDI (CXHA)	PR 2E3, discØ 308	Diesel	FWD	1968	110	150	04.15-08.24	■	
2.0 TDI 4motion (CXFA)	PR 2E3, discØ 308	Diesel	4WD	1968	110	150	08.15-08.24	■	
2.0 TDI 4motion (CXHA)	PR 2E3, discØ 308	Diesel	4WD	1968	110	150	08.15-08.24	■	
2.0 TDI (CFCA)	PR 2E3, discØ 308	Diesel	FWD	1968	132	180	04.15-12.19	■	
2.0 TDI 4motion (CFCA)	PR 2E3, discØ 308	Diesel	4WD	1968	132	180	06.15-12.19	■	
2.0 TDI 4motion (CXC)		Diesel	4WD	1968	146	199	08.18-08.24	■	
2.0 TDI (CXEB)	PR 2E3, discØ 308	Diesel	FWD	1968	150	204	06.15-08.24	■	
2.0 TDI 4motion (CXEB)	PR 2E3, discØ 308	Diesel	4WD	1968	150	204	06.15-08.24	■	
TRANSPORTER T6 / CALIFORNIA / CARAVELLE (SGB, SGJ, SHB, SHJ) 04.15-							Bus (Minibus-M2-Segment)		
2.0 TSI (CJKB)	PR 2E3, discØ 308	Gasolina	FWD	1984	110	150	04.15-07.19	■	
2.0 TSI (CJKA)	PR 2E3, discØ 308	Gasolina	FWD	1984	150	204	04.15-07.19	■	
2.0 TSI 4motion (CJKA)	PR 2E3, discØ 308	Gasolina	4WD	1984	150	204	06.15-07.19	■	
2.0 TDI (CAAA)	PR 2E3, discØ 308	Diesel	FWD	1968	62	84	04.15-07.19	■	
2.0 TDI (CXGA)	PR 2E3, discØ 308	Diesel	FWD	1968	62	84	04.15-07.19	■	
2.0 TDI (CAAB)	PR 2E3, discØ 308	Diesel	FWD	1968	75	102	04.15-12.19	■	
2.0 TDI (CXGB)	PR 2E3, discØ 308	Diesel	FWD	1968	75	102	04.15-12.19	■	
2.0 TDI (CXHB)	PR 2E3, discØ 308	Diesel	FWD	1968	84	114	05.16-08.19	■	
2.0 TDI (CAAC)	PR 2E3, discØ 308	Diesel	FWD	1968	103	140	04.15-12.19	■	
2.0 TDI 4motion (CAAC)	PR 2E3, discØ 308	Diesel	4WD	1968	103	140	06.15-12.19	■	
2.0 TDI (CXFA)	PR 2E3, discØ 308	Diesel	FWD	1968	110	150	04.15-08.24	■	
2.0 TDI (CXHA)	PR 2E3, discØ 308	Diesel	FWD	1968	110	150	04.15-08.24	■	
2.0 TDI 4motion (CXFA)	PR 2E3, discØ 308	Diesel	4WD	1968	110	150	08.15-08.24	■	
2.0 TDI 4motion (CXHA)	PR 2E3, discØ 308	Diesel	4WD	1968	110	150	08.15-08.24	■	
2.0 TDI (CFCA)	PR 2E3, discØ 308	Diesel	FWD	1968	132	180	04.15-12.19	■	
2.0 TDI 4motion (CFCA)	PR 2E3, discØ 308	Diesel	4WD	1968	132	180	06.15-12.19	■	
2.0 TDI (CXC)		Diesel	FWD	1968	146	199	08.18-08.24	■	
2.0 TDI 4motion (CXC)		Diesel	4WD	1968	146	199	08.18-08.24	■	
2.0 TDI (CXEB)	PR 2E3, discØ 308	Diesel	FWD	1968	150	204	06.15-08.24	■	
2.0 TDI 4motion (CXEB)	PR 2E3, discØ 308	Diesel	4WD	1968	150	204	06.15-08.24	■	