

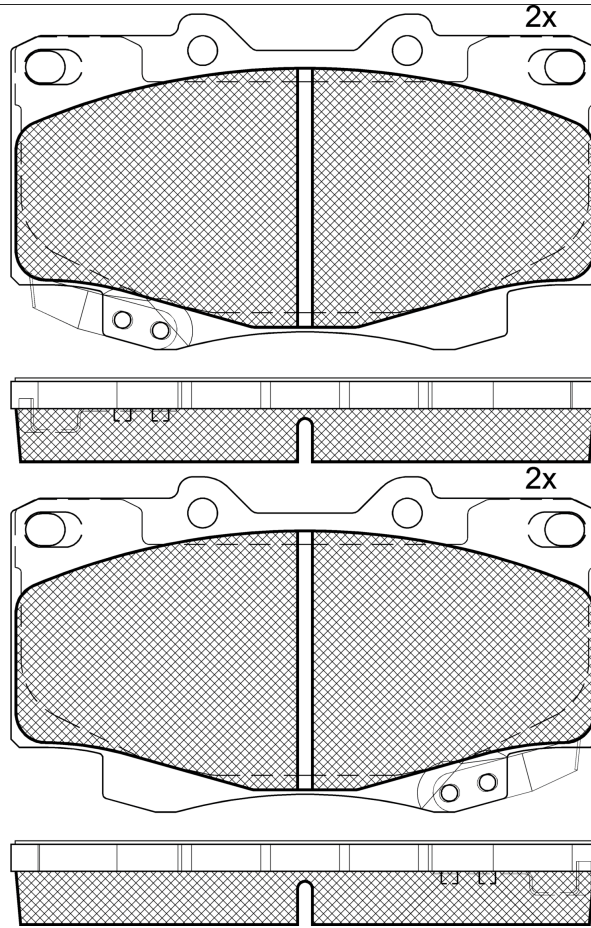
LISTA DE APLICACIONES - BUYERS GUIDE

181781



Qty: 300 Weight: 1.655

O.E.M.	MAKE
04465-04030	TOYOTA
04465-04050	TOYOTA
04465-04060	TOYOTA
04465-04630	TOYOTA
04465-0J140	TOYOTA
04465-0K070	TOYOTA
04465-0K140	TOYOTA
04465-0K210	TOYOTA



181781

E 9 90R-01111/1396



Sumitomo

119.3x68.1x17

WVA	FMSI
21679	D799-7671
21680	
MAKE	
TOYOTA	



Trac.	CC	Kw	CV
-------	----	----	----



Front / Rear

TOYOTA

(_N1_) 08.97-02.06						Platform/Chassis ()			
2.7 EFI (RZN154, RZN149) (3RZ-FE)		Gasolina	RWD	2694	107	145	08.97-08.05		
FORTUNER / SW4 (_N5_, _N6_) 06.04-12.15						SUV (Compact SUV-J Segment)			
2.7 (TGN61_) (2TR-FE)		Gasolina	RWD	2694	116	158	03.09-05.15		■
2.7 4WD (TGN51_) (2TR-FE)		Gasolina	4WD	2694	116	158	08.08-03.15		■
2.7 (TGN61_, TGN61R) (2TR-FE)		Gasolina	RWD	2694	118	160	06.04-05.15		■
2.7 4WD (TGN51_, TGN51R) (2TR-FE)		Gasolina	4WD	2694	118	160	06.04-05.15		■
2.7 Flexfuel		Gasolina	FWD	2694	120	163	01.12-05.15		■
4.0 4WD (GGN50_, RZN215, GGN60)		Gasolina	4WD	3956	173	235	01.05-05.15		■
4.0 (GGN50_, GGN60_) (1GR-FE)		Gasolina	RWD	3956	175	238	07.05-05.15		■
2.5 D-4D 4WD (KUN50) (2KD-FTV)		Diesel	4WD	2494	75	102	01.09-05.15		■
2.5 D-4D 4WD (RZN215, KUN50) (2KD-FTV)		Diesel	4WD	2494	106	144	07.11-05.15		■
3.0 D		Diesel	RWD	2982	120	163	08.09-05.15		■
3.0 D 4WD (KUN51) (1KD-FTV)	01/09-	Diesel	4WD	2982	120	163	06.04-05.15		■
3.0 D (KUN61)		Diesel	RWD	2982	125	170	08.09-05.15		■
3.0 D (KUN61_)		Diesel	RWD	2982	126	171	01.05-05.15		■
3.0 D 4WD (KUN51_) (1KD-FTV)		Diesel	4WD	2982	126	171	08.09-05.15		■
3.0 TDI		Diesel	RWD	2982	130	177	12.13-		■
HiLux VII (_N1_, _N2_) 02.05-						Platform/Chassis (LCVs-N1 Segment)			
4.0 V6 VVTi (GGN15R)	Eq.V_ GGN25	Gasolina	RWD	3956	175	238	02.05-		■
4.0 V6 VVTi 4WD (GGN25R)	Eq.V_ GGN25	Gasolina	4WD	3956	175	238	02.05-		■
3.0 D-4D (KUN16R)	Eq.V_ GGN25	Diesel	RWD	2982	126	171	02.05-		■
3.0 D 4WD (KUN26) (1KD-FTV)	Eq.V_ KUN26	Diesel	4WD	2982	126	171	02.05-		■

LISTA DE APLICACIONES - BUYERS GUIDE

HiLux VII / HiLux (VIGO) (_N1_, _N2_, _N3_) 08.04-						Pickup (Pick-Up Truck)			
2.0 VVTi (TGN10, TGN15, TGN16) (1TR-FE)		Gasolina	RWD	1998	100	136	06.05-05.15	■	
2.0 VVTi (KGN15_, TGN15_, TGN15R) (1TR-FE)	01/07-	Gasolina	RWD	1998	108	147	08.05-05.15	■	
2.7 VVTi (TGN16) (2TR-FE)	01/07-	Gasolina	RWD	2694	118	160	08.05-05.15	■	
2.7 VVTi 4WD (TGN26) (2TR-FE)	01/07-	Gasolina	4WD	2694	118	160	08.05-05.15	■	
4.0 V6 VVTi (GGN15)	01/07-	Gasolina	RWD	3956	175	238	08.05-02.16	■	
4.0 V6 VVTi 4WD (GGN25) (1GR-FE)	01/07-	Gasolina	4WD	3956	175	238	08.05-02.16	■	
2.5 D-4D (KUN15, KUN10) (2KD-FTV)	01/07-, not extend.wheelbase	Diesel	RWD	2494	75	102	03.05-05.15	■	
2.5 D 4WD (KUN25) (2KD-FTV)	01/07-, not extend.wheelbase	Diesel	4WD	2494	75	102	03.05-05.15	■	
2.5 D-4D (KUN15_, KUN15R) (2KD-FTV)	not extend.wheelbase	Diesel	RWD	2494	88	120	06.06-05.15	■	
2.5 D-4D 4WD (KUN25_, KUN25R) (2KD-FTV)	not extend.wheelbase	Diesel	4WD	2494	88	120	06.06-05.15	■	
2.5 D-4D 4WD (KUN25_) (2KD-FTV)		Diesel	4WD	2494	94	128	11.04-12.05	■	
2.5 D-4D 4WD (KUN25) (2KD-FTV)	Eq.V_ KUN25, KUN35	Diesel	4WD	2494	106	144	12.07-05.15	■	
3.0 D-4D 4WD (KUN26) (1KD-FTV)		Diesel	4WD	2982	120	163	03.05-05.15	■	
3.0 D-4D 4WD (KUN26) (1KD-FTV)	not extend.wheelbase	Diesel	4WD	2982	126	171	08.05-09.15	■	
3.0 D-4D 4WD (KUN26) (1KD-FTV)		Diesel	4WD	2982	145	197	05.08-12.12	■	
HiLux SUV VI / SW4 (_N1_, _N2_) 01.95-08.05						SUV (Pick-Up Truck)			
2.7 EFI (RZN149)		Gasolina	RWD	2694	107	145	08.01-07.04	■	
3.4 4WD (KYN195) (5VZ-FE)	01/01-	Gasolina	4WD	3378	131	178	08.00-07.05	■	
3.4 EFI 4WD (VZN185)	01/98-	Gasolina	4WD	3378	136	185	11.95-07.00	■	
3.0 D		Diesel	RWD	2986	67	91	08.02-07.04	■	
HILUX V (_N8_, _N9_, _N10_, _N11_) 09.88-08.01						Pickup (Pick-Up Truck)			
3.0 4WD (RN37_, RN42_, VZN130) (3VZ-E)		Gasolina	4WD	2959	108	147	09.88-08.97	■	
HILUX VI (_N1_) 08.94-03.06						Pickup (Pick-Up Truck)			
2.7 EFI (RZN154, RZN149) (3RZ-FE)		Gasolina	RWD	2694	107	145	01.98-07.04	■	
2.7 EFI 4WD (RZN140, RZN169) (3RZ-FE)		Gasolina	4WD	2694	110	150	06.97-12.00	■	
3.0 (VZN130_)		Gasolina	RWD	2959	105	143	08.01-07.05	■	
3.4 EFI (VZN167R, VZN172R)		Gasolina	RWD	3378	131	178	08.01-07.05	■	
3.4 EFI 4WD (VZN167, VZN172)		Gasolina	4WD	3378	131	178	08.01-07.05	■	
2.5 D-4D 4WD (KDN165, KDN170, KDN190) (2KD-FTV)	not extend.wheelbase	Diesel	4WD	2494	75	102	11.01-07.05	■	
3.0 D (LN147, LN152)		Diesel	RWD	2986	67	91	01.02-02.05	■	
3.0 D 4WD (LN172, LN167) (5L)		Diesel	4WD	2986	67	91	08.97-07.05	■	
TACOMA (_N1_) 09.94-08.04						Pickup (Pick-Up Truck)			
2.4 16V	01/99-	Gasolina	FWD	2395			09.94-	■	
2.4 16V	01/99-	Gasolina	FWD	2395			01.95-	■	
2.4 16V	01/02-	Gasolina	FWD	2395			09.95-	■	
2.4 16V 4WD	01/99-	Gasolina	FWD	2395			09.94-	■	
2.4 16V 4WD	01/99-	Gasolina	FWD	2395			01.95-	■	
2.4 16V 4WD	01/01-	Gasolina	FWD	2395			09.95-	■	
2.7 16V	01/99-	Gasolina	FWD	2695			09.94-	■	
2.7 16V	01/99-	Gasolina	FWD	2695			01.95-	■	
2.7 16V 4WD	01/99-	Gasolina	FWD	2695			09.94-	■	
2.7 16V 4WD	01/99-	Gasolina	FWD	2695			01.95-	■	
2.7 16V	01/02-	Gasolina	FWD	2695	107	145	09.95-	■	
3.4 16V 4WD	01/99-	Gasolina	FWD	3395			09.94-	■	
3.4 16V 4WD	01/99-	Gasolina	FWD	3395			01.95-	■	
3.4 24V	01/99-	Gasolina	FWD	3395			09.94-	■	
3.4 24V	01/99-	Gasolina	FWD	3395			01.95-	■	
3.4 24V	01/02-	Gasolina	FWD	3395			09.95-	■	

LISTA DE APLICACIONES - BUYERS GUIDE