

LISTA DE APLICACIONES - BUYERS GUIDE

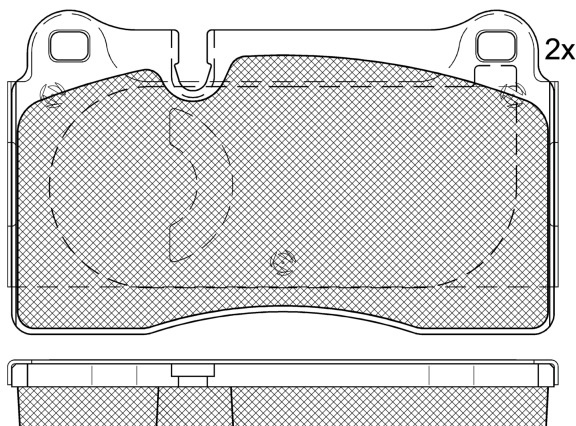
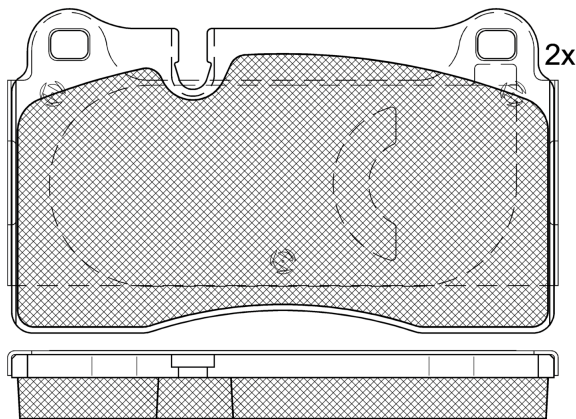
181791-203



Qty: 300

Weight: 2.395

| O.E.M. | MAKE |
|---------------|------|
| 8J0 698 151 M | AUDI |



181791-203

E 9 90R-02A0111/5223



Brembo

131.5x77.4x16.2

| WVA | MAKE |
|-------|-------|
| 25145 | AUDI |
| | CUPRA |
| | SEAT |



| Trac. | CC | Kw | CV | Hourglass icon | Front / Rear |
|-------|----|----|----|----------------|--------------|
|-------|----|----|----|----------------|--------------|

AUDI

| A3 II Sportback (8PA) 09.04-12.15 | | | | | | Hatchback (Compact executive car-D Segment) | | | |
|-----------------------------------|-------------------|----------|-----|------|-----|---|-------------|---|--|
| RS3 quattro (CEPA) | PR 1LG, discØ 370 | Gasolina | 4WD | 2480 | 250 | 340 | 01.11-12.12 | ■ | |
| TT II (8J9) 03.07-09.14 | | | | | | Convertible (Sports car-S Segment) | | | |
| 2.5 RS quattro (CEPA) | PR 1LA, discØ 370 | Gasolina | 4WD | 2480 | 250 | 340 | 07.09-06.14 | ■ | |
| 2.5 RS quattro (CEPB) | PR 1LA, discØ 370 | Gasolina | 4WD | 2480 | 265 | 360 | 03.12-06.14 | ■ | |
| TT II (8J3) 07.06-02.15 | | | | | | Coupe (Sports car-S Segment) | | | |
| 2.5 RS quattro (CEPA) | PR 1LA, discØ 370 | Gasolina | 4WD | 2480 | 250 | 340 | 07.09-06.14 | ■ | |
| 2.5 RS quattro (CEPB) | PR 1LA, discØ 370 | Gasolina | 4WD | 2480 | 265 | 360 | 05.11-06.14 | ■ | |

CUPRA

| ATECA (KH7, KHP, KBP) 09.18- | | | | | | SUV (Compact SUV-J Segment) | | | |
|------------------------------|-----------------------------------|---------------|-----|------|-----|-----------------------------|--------|---|--|
| 1.5 TSI | | Gasolina | FWD | 1498 | 110 | 150 | 07.23- | | |
| 2.0 TSI 4Drive | | Gasolina | 4WD | 1984 | 140 | 190 | 06.23- | | |
| 2.0 TSI 4Drive (DNUE) | PR FC1 | Gasolina | 4WD | 1984 | 221 | 300 | 09.18- | ■ | |
| 2.0 TSI 4Drive | PR FC1 | Gasolina | 4WD | 1984 | 221 | 300 | 07.20- | ■ | |
| 2.0 TSI 4Drive | PR FC1, discØ 370, PR 1ZT, PR 1LE | Gasolina | 4WD | 1984 | 257 | 349 | 05.20- | ■ | |
| FORMENTOR (KM7, KMP) 07.20- | | | | | | SUV (Compact SUV-J Segment) | | | |
| 1.5 TSI | discØ 370, PR 1LE | Gasolina | FWD | 1498 | 110 | 150 | 11.20- | ■ | |
| 2.0 TSI 4Drive | discØ 370, PR 1LE | Gasolina | 4WD | 1984 | 140 | 190 | 08.20- | ■ | |
| 2.0 TSI | discØ 370, PR 1LE | Gasolina | FWD | 1984 | 180 | 245 | 03.21- | ■ | |
| 2.0 TSI 4Drive (DNFB) | discØ 370, PR 1LE | Gasolina | 4WD | 1984 | 228 | 310 | 07.20- | ■ | |
| 1.4 e-HYBRID | discØ 370, PR 1LE | Gasol./el éc. | FWD | 1395 | 150 | 204 | 01.21- | ■ | |

LISTA DE APLICACIONES - BUYERS GUIDE

| | | | | | | | | | |
|---|-----------------------------------|---------------|-----|------|--|-----|-------------|---|--|
| 1.4 e-Hybrid VZ | discØ 370, PR 1LE | Gasol./el éc. | FWD | 1395 | 180 | 245 | 02.21- | ■ | |
| 2.0 TDI | discØ 370, PR 1LE | Diesel | FWD | 1968 | 110 | 150 | 03.21- | ■ | |
| 2.0 TDI 4Drive | discØ 370, PR 1LE | Diesel | 4WD | 1968 | 110 | 150 | 03.21- | ■ | |
| Leon 08.19- | | | | | Hatchback (Compact car-C Segment) | | | | |
| 2.0 TSI | PR 1LE, discØ 370 | Gasolina | FWD | 1984 | 180 | 245 | 06.21- | ■ | |
| 2.0 TSI | PR 05E, discØ 370 | Gasolina | FWD | 1984 | 213 | 290 | 08.19- | ■ | |
| 2.0 TSI VZ | | Gasolina | FWD | 1984 | 221 | 300 | 01.21- | ■ | |
| 1.4 e-HYBRID | PR 1LE, discØ 370 | Gasol./el éc. | FWD | 1395 | 110 | 150 | 09.20- | ■ | |
| 1.4 e-HYBRID | | Gasol./el éc. | FWD | 1395 | 150 | 204 | 09.20- | ■ | |
| 1.4 e-HYBRID | | Gasol./el éc. | FWD | 1395 | 180 | 245 | 09.20- | ■ | |
| 1.5 VZ e-HYBRID | | Gasol./el éc. | FWD | 1498 | 200 | 272 | 05.24- | ■ | |
| LEON Sportstourer (KL8, KU8, KUD) 09.20- | | | | | Estate (Compact car-C Segment) | | | | |
| 2.0 TSI | PR 1LE, discØ 370 | Gasolina | FWD | 1984 | 180 | 245 | 06.21- | ■ | |
| 2.0 TSI | | Gasolina | FWD | 1984 | 221 | 300 | 06.21- | ■ | |
| 2.0 TSI 4Drive | | Gasolina | 4WD | 1984 | 228 | 310 | 06.21- | ■ | |
| 1.4 e-HYBRID | PR 1LE, discØ 370 | Gasol./el éc. | FWD | 1395 | 110 | 150 | 09.20- | ■ | |
| 1.4 e-HYBRID | | Gasol./el éc. | FWD | 1395 | 150 | 204 | 09.20- | ■ | |
| e-HYBRID | | Gasol./el éc. | FWD | 1395 | 180 | 245 | 09.20- | ■ | |
| VZ e-HYBRID | | Gasol./el éc. | FWD | 1498 | 200 | 272 | 05.24- | ■ | |
| Leon ST 08.19- | | | | | Estate (Compact car-C Segment) | | | | |
| 2.0 TSI | PR 05E, discØ 370 | Gasolina | FWD | 1984 | 213 | 290 | 08.19- | ■ | |
| 2.0 TSI 4Drive | PR 05E, discØ 370 | Gasolina | 4WD | 1984 | 221 | 300 | 08.19- | ■ | |
| SEAT | | | | | | | | | |
| ATECA (KH7, KHP) 04.16- | | | | | SUV (Compact SUV-J Segment) | | | | |
| 2.0 TDI | PR 1LE, PR 1ZT, PR FC1 | Diesel | FWD | 1968 | 85 | 116 | 01.21- | ■ | |
| LEON III (5F1) 09.12- | | | | | Hatchback Van (Compact car-C Segment) | | | | |
| 2.0 Cupra (CJXH) | PR 05E, PR 1ZT, PR FC1, discØ 370 | Gasolina | FWD | 1984 | 213 | 290 | 09.15-10.16 | ■ | |
| 2.0 Cupra (CJXC) | PR 05E, PR 1ZT, PR FC1, discØ 370 | Gasolina | FWD | 1984 | 221 | 300 | 01.17-08.18 | ■ | |
| LEON III (5F1) 09.12- | | | | | Hatchback (Compact car-C Segment) | | | | |
| 2.0 Cupra (CJXE) | PR 05E, PR 1ZT, PR FC1, discØ 370 | Gasolina | FWD | 1984 | 195 | 265 | 10.13-08.20 | ■ | |
| 2.0 Cupra (CJXA) | PR 05E, PR 1ZT, PR FC1, discØ 370 | Gasolina | FWD | 1984 | 206 | 280 | 10.13-08.20 | ■ | |
| 2.0 Cupra (CJXH) | PR 05E, PR 1ZT, PR FC1, discØ 370 | Gasolina | FWD | 1984 | 213 | 290 | 10.15-08.20 | ■ | |
| 2.0 Cupra (DNUC) | PR 05E, PR 1ZT, PR FC1, discØ 370 | Gasolina | FWD | 1984 | 213 | 290 | 10.15-08.20 | ■ | |
| 2.0 Cupra (CJXC) | PR 05E, PR 1ZT, PR FC1, discØ 370 | Gasolina | FWD | 1984 | 221 | 300 | 01.17-08.18 | ■ | |
| 2.0 Cupra R (CJXG) | PR 05E, PR FC1, discØ 370 | Gasolina | FWD | 1984 | 228 | 310 | 11.17-08.18 | ■ | |
| LEON III SC (5F5) 01.13- | | | | | Coupe (Compact car-C Segment) | | | | |
| 2.0 Cupra (CJXE) | PR 05E, PR FC1, discØ 370 | Gasolina | FWD | 1984 | 195 | 265 | 10.13-11.16 | ■ | |
| 2.0 Cupra (CJXA) | PR 05E, PR FC1, discØ 370 | Gasolina | FWD | 1984 | 206 | 280 | 10.13-11.16 | ■ | |
| 2.0 Cupra (CJXH) | PR 05E, PR FC1, discØ 370 | Gasolina | FWD | 1984 | 213 | 290 | 10.15-11.16 | ■ | |
| 2.0 Cupra (CJXC) | PR 05E, PR 1ZT, PR FC1, discØ 370 | Gasolina | FWD | 1984 | 221 | 300 | 01.17-08.18 | ■ | |

LISTA DE APLICACIONES - BUYERS GUIDE

| LEON III ST (5F8) 01.13- | | | | | | Estate Van (Compact car-C Segment) | | | |
|---|-----------------------------------|----------|-----|------|-----|---|-------------|---|--|
| 2.0 Cupra (CJXA) | PR 05E, PR 1ZT, PR FC1, discØ 370 | Gasolina | FWD | 1984 | 206 | 280 | 10.13-08.20 | ■ | |
| 2.0 Cupra (CJXC) | PR 05E, PR FC1, discØ 370 | Gasolina | FWD | 1984 | 221 | 300 | 11.16-08.18 | ■ | |
| 2.0 Cupra 4Drive (CJXC) | PR 05E, PR FC1, discØ 370 | Gasolina | 4WD | 1984 | 221 | 300 | 11.16-08.18 | ■ | |
| LEON III ST (5F8) 09.12- | | | | | | Estate (Compact car-C Segment) | | | |
| 2.0 Cupra (CJXE) | PR 05E, PR 1ZT, PR FC1, discØ 370 | Gasolina | FWD | 1984 | 195 | 265 | 10.13-08.20 | ■ | |
| 2.0 Cupra (CJXA) | PR 05E, PR 1ZT, PR FC1, discØ 370 | Gasolina | FWD | 1984 | 206 | 280 | 10.13-08.20 | ■ | |
| 2.0 Cupra (CJXH) | PR 05E, PR 1ZT, PR FC1, discØ 370 | Gasolina | FWD | 1984 | 213 | 290 | 10.15-08.20 | ■ | |
| 2.0 Cupra (DNUC) | PR 05E, PR 1ZT, PR FC1, discØ 370 | Gasolina | FWD | 1984 | 213 | 290 | 10.15-08.20 | ■ | |
| 2.0 Cupra (CJXC) | PR 05E, PR FC1, discØ 370 | Gasolina | FWD | 1984 | 221 | 300 | 11.16-08.18 | ■ | |
| 2.0 Cupra 4Drive (CJXC) | PR 05E, PR FC1, discØ 370 | Gasolina | 4WD | 1984 | 221 | 300 | 11.16-08.20 | ■ | |
| 2.0 Cupra 4Drive (DNUE) | PR 05E, PR FC1, discØ 370 | Gasolina | 4WD | 1984 | 221 | 300 | 11.16-08.20 | ■ | |
| LEON IV (KL1, KLG) 11.19- | | | | | | Hatchback (Compact car-C Segment) | | | |
| 2.0 TFSI | PR 1LE | Gasolina | FWD | 1984 | 140 | 190 | 03.21- | ■ | |
| LEON IV Sportstourer (KL8, KLD) 03.20- | | | | | | Estate (Compact car-C Segment) | | | |
| 2.0 TFSI | PR 1LE | Gasolina | FWD | 1984 | 140 | 190 | 03.21- | ■ | |