

LISTA DE APLICACIONES - BUYERS GUIDE

181799

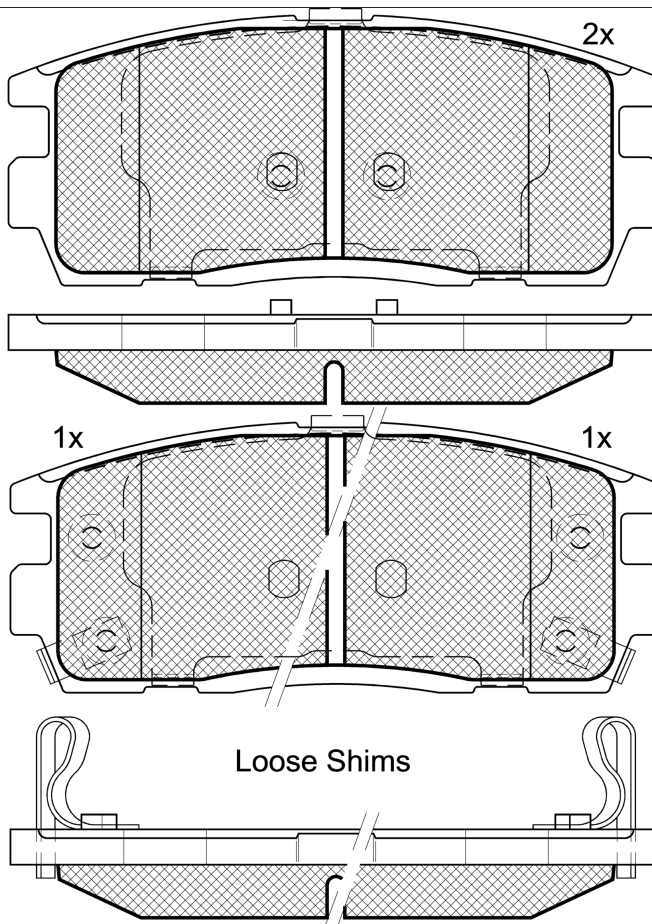


8 424073 095886

Qty: 944

Weight: 1.145

O.E.M.	MAKE
16 05 123	OPEL
1914 9904	CHEVROLET
1920 8345	CHEVROLET
2080 1538	CHEVROLET
2285 0988	BUICK
48 17 791	OPEL
48 19 239	OPEL
55800-78J01	SUZUKI
55800-78J03	SUZUKI
95 459 513	OPEL
95 599 731	VAUXHALL
96 626 075	OPEL
96 626 076	VAUXHALL
D9662-26076	CHEVROLET



181799

E 9 90R-01110/2098



Akebono

110.5x46.15x15.6

WVA	FMSI
24498	D1275-8391
24499	
24500	

MAKE
BUICK
CHEVROLET
DAEWOO
HOLDEN
OPEL
SUZUKI
VAUXHALL



Trac.	CC	Kw	CV		Front / Rear
-------	----	----	----	--	--------------

BUICK

ENCLAVE 04.07-12.18						SUV (Luxury Crossover SUV-J Segment)			
3.6 AWD (LLT)	01/14-	Gasolina	4WD	3564	215	292	09.08-04.17		■

CHEVROLET

CAPTIVA (C100) 06.06-						SUV Van (Compact SUV-J Segment)			
VCDi		Diesel	FWD	1991	93	126	10.06-12.09		■
VCDi A las 4 ruedas		Diesel	4WD	1991	110	150	07.06-02.11		■

CAPTIVA (C100, C140) 06.06-						SUV (Compact SUV-J Segment)			
2.4		Gasolina	FWD	2384	122	165	01.11-		■
2.4 4WD		Gasolina	4WD	2384	122	165	06.11-		■
2.4 (LE5)		Gasolina	FWD	2384	123	167	03.11-		■
2.4 4WD (LE5)		Gasolina	4WD	2384	123	167	03.11-		■
2.4 (LD9(147CUL4))		Gasolina	FWD	2405	100	136	06.06-02.11		■
2.4 4WD (LD9(147CUL4))		Gasolina	4WD	2405	100	136	06.06-02.11		■
2.4 (LD9(147CUL4))		Gasolina	FWD	2405	103	140	12.06-02.11		■
2.4 4WD (LD9(147CUL4))		Gasolina	4WD	2405	103	140	12.06-02.11		■
3.0 4WD (LFW)		Gasolina	4WD	2997	186	253	01.12-		■
3.0 4WD (LF1)		Gasolina	4WD	2997	190	258	11.10-09.18		■
3.0 4WD (LFW)		Gasolina	4WD	2997	190	258	11.10-09.18		■
3.0		Gasolina	FWD	2997	197	268	01.11-		■
3.0		Gasolina	FWD	2997	197	268	01.11-		■
3.0 4WD (LFW)		Gasolina	4WD	2997	197	268	01.12-		■
3.2 4WD (LU1)		Gasolina	4WD	3195	169	230	06.06-		■
3.6		Gasolina	FWD	3564	189	257	01.08-		■

LISTA DE APLICACIONES - BUYERS GUIDE

2.4 LPG (LD9(147CUL4))		Gasol./Gas (LPG)	FWD	2405	100	136	01.07-	■	
2.4 LPG 4WD (LD9(147CUL4))		Gasol./Gas (LPG)	4WD	2405	100	136	01.07-02.11	■	
2.4 Flexfuel		Gasol./Etanol	FWD	2384	121	165	12.12-	■	
2.4 Flexfuel 4WD		Gasol./Etanol	4WD	2384	121	165	12.12-	■	
3.0 Flexfuel 4WD (LFW)		Gasol./Etanol	4WD	2997	197	268	01.11-	■	
2.0 D (LLW)		Diesel	FWD	1991	93	126	10.06-12.09	■	
2.0 D 4WD (LLW)		Diesel	4WD	1991	93	126	10.06-12.09	■	
2.0 D (LLW)		Diesel	FWD	1991	110	150	09.07-	■	
2.0 D 4WD (LLW)		Diesel	4WD	1991	110	150	10.06-	■	
2.0 VCDi (LLW)		Diesel	FWD	1991	110	150	01.08-12.11	■	
2.0 D (LNP)		Diesel	FWD	1998	120	163	01.11-	■	
2.0 D 4WD (LNP)		Diesel	4WD	1998	120	163	01.11-	■	
2.2 D (LNQ)		Diesel	FWD	2231	120	163	03.11-	■	
2.2 D 4WD (LNQ)		Diesel	4WD	2231	120	163	03.11-	■	
2.2 D (LNQ)		Diesel	FWD	2231	135	184	02.11-09.18	■	
2.2 D 4WD (LNQ)		Diesel	4WD	2231	135	184	03.11-	■	
CAPTIVA SPORT (U.S.A.) 09.07-					Closed Off-Road Vehicle (Compact SUV-J Segment)				
2.4		Gasolina	FWD				09.11-	■	
3.0 FLEX		Gasolina	FWD	2997			09.11-	■	
CAPTIVA SPORT 01.07-					SUV (Compact SUV-J Segment)				
2.4 VVT		Gasolina	FWD	2384	126	171	12.09-	■	
2.4 (LEA)		Gasolina	FWD	2384	134	182	01.12-	■	
2.4		Gasolina	FWD	2384	136	185	01.12-	■	
2.4		Gasolina	FWD	2405	100	136	01.07-	■	
3.0		Gasolina	FWD	2997	194	264	01.12-	■	
3.0 (LF1)		Gasolina	FWD	2997	197	268	01.12-	■	
3.0 (LFW)		Gasolina	FWD	2997	197	268	01.12-	■	
3.0 AWD (LF1)		Gasolina	4WD	2997	197	268	01.12-	■	
3.0 AWD (LFW)		Gasolina	4WD	2997	197	268	01.12-	■	
3.0 FLEX AWD		Gasol./Etanol	4WD	2997	196	267	09.11-	■	
EQUINOX 04.03-12.09					SUV (Compact SUV-J Segment)				
3.4 (LNJ)		Gasolina	FWD	3350	138	188	04.03-09.09	■	
3.4 AWD (LNJ)		Gasolina	4WD	3350	138	188	04.03-09.09	■	
DAEWOO									
WINSTORM 12.06-					SUV (Compact SUV-J Segment)				
2.4 LS (Z 24 XED)		Gasolina	FWD	2405	103	140	12.06-	■	
2.4 LT 4x4		Gasolina	4WD	2405	103	140	12.06-	■	
2.4 (Z 24 XED)		Gasolina	FWD	2405	104	141	12.06-	■	
2.4 4x4		Gasolina	4WD	2405	104	141	12.06-	■	
3.2 Executive 4x4 (Z 32 SEE)		Gasolina	4WD	3195	167	227	12.06-	■	
HOLDEN									
CAPTIVA 5 Gen. I (CG) 12.06-					Closed Off-Road Vehicle (Compact SUV-J Segment)				
2.4 i		Gasolina	FWD	2405	103	140	12.09-12.11	■	
2.4 i		Gasolina	FWD	2405	103	140	12.09-12.11	■	
3.2 i		Gasolina	FWD	3195	167	227	12.06-09.08	■	
OPEL									

LISTA DE APLICACIONES - BUYERS GUIDE

ANTARA A (L07) 08.06-08.17					SUV (Compact SUV-J Segment)			
2.4 (A 24 XE)	Type No China	Gasolina	FWD	2384	123	167	12.10-02.15	■
2.4 (A 24 XF)	Type No China	Gasolina	FWD	2384	123	167	12.10-02.15	■
2.4 4x4 (A 24 XE)	Type No China	Gasolina	4WD	2384	123	167	12.10-02.15	■
2.4 4x4 (A 24 XF)	Type No China	Gasolina	4WD	2384	123	167	12.10-02.15	■
2.4 (Z 24 XE)		Gasolina	FWD	2405	103	140	09.08-12.11	■
2.4 4x4 (Z 24 XE)	Type No China	Gasolina	4WD	2405	103	140	08.06-12.11	■
2.4 (Z 24 XE)		Gasolina	4WD	2405	104	141	08.06-12.11	■
3.0 (A 30 XF)		Gasolina	4WD	2997	183	249	07.13-12.14	■
3.0 (A 30 XH)		Gasolina	4WD	2997	183	249	07.13-12.14	■
3.0 (A 30 XF)		Gasolina	4WD	2997	190	258	11.10-12.15	■
3.0 (A 30 XH)		Gasolina	4WD	2997	190	258	11.10-12.15	■
3.2 V6 (Z 32 SEE)		Gasolina	4WD	3195	167	227	08.06-12.11	■
2.4 LPG (Z 24 XE)	Type No China	Gasol./Gas (LPG)	FWD	2405	103	140	10.08-08.10	■
2.4 LPG 4x4 (Z 24 XE)	Type No China	Gasol./Gas (LPG)	4WD	2405	103	140	08.06-12.10	■
2.0 CDTi (B 20 DTH)		Diesel	FWD	1956	125	170	01.16-08.17	■
2.0 CDTi 4x4 (B 20 DTH)		Diesel	4WD	1956	125	170	01.16-08.17	■
2.0 CDTi (Z 20 S)		Diesel	4WD	1991	93	127	03.07-12.11	■
2.0 CDTi (Z 20 DM)		Diesel	FWD	1991	93	127	09.08-12.11	■
2.0 CDTi (Z 20 DMH)		Diesel	FWD	1991	110	150	08.06-12.11	■
2.0 CDTi 4x4 (Z 20 DMH)		Diesel	4WD	1991	110	150	08.06-12.11	■
2.2 CDTi (A 22 DM)	Type No China	Diesel	FWD	2231	120	163	12.10-12.15	■
2.2 CDTi 4x4 (A 22 DM)	Type No China	Diesel	4WD	2231	120	163	12.10-12.15	■
2.2 CDTi (A 22 DM)		Diesel	FWD	2231	122	166	07.14-12.15	■
2.2 CDTi 4x4 (A 22 DMH)	Type No China	Diesel	4WD	2231	135	184	12.10-12.15	■

SUZUKI

XL-7 II (DA, DB) 09.06-12.09					SUV (Compact SUV-J Segment)			
3.6 (JC636) (N36A)		Gasolina	FWD	3564	188	256	09.06-12.09	■
3.6 A las 4 ruedas (JC636) (N36A)		Gasolina	4WD	3564	188	256	09.06-12.09	■

VAUXHALL

ANTARA A (L07) 08.06-					SUV (Compact SUV-J Segment)			
2.4 (A 24 XE)		Gasolina	FWD	2384	123	167	12.10-04.15	■
2.4 (A 24 XF)		Gasolina	FWD	2384	123	167	12.10-04.15	■
2.4 4x4 (A 24 XE)		Gasolina	4WD	2384	123	167	12.10-04.15	■
2.4 4x4 (A 24 XF)		Gasolina	4WD	2384	123	167	12.10-04.15	■
2.4		Gasolina	FWD	2384	126	171	11.10-04.15	■
2.4 4x4		Gasolina	4WD	2384	126	171	11.10-04.15	■
2.4		Gasolina	FWD	2405	103	140	08.06-	■
2.4 (Z 24 XE)		Gasolina	FWD	2405	103	140	08.06-04.15	■
2.4 4x4 (Z 24 XE)		Gasolina	4WD	2405	103	140	08.06-04.15	■
3.0 4x4		Gasolina	4WD	2997	188	256	11.10-04.15	■
3.2 V6 4x4		Gasolina	4WD	3195	167	227	11.06-04.15	■
2.4 LPG 4x4 (Z 24 XE)		Gasol./Gas (LPG)	4WD	2405	103	140	08.06-04.15	■
2.0 CDTi		Diesel	RWD	1991	93	126	03.07-	■
2.0 CDTi (Z 20 DM)		Diesel	FWD	1991	93	126	08.06-04.15	■
2.0 CDTi 4x4	01/07-	Diesel	4WD	1991	93	126	08.06-04.15	■
2.0 CDTi		Diesel	RWD	1991	110	150	08.06-	■
2.0 CDTi (Z 20 DMH)		Diesel	FWD	1991	110	150	08.06-04.15	■
2.0 CDTi 4x4 (Z 20 DMH)		Diesel	4WD	1991	110	150	08.06-04.15	■

LISTA DE APLICACIONES - BUYERS GUIDE

2.2 CDTi 4x4 (A 22 DM)	Diesel	4WD	2231	120	163	12.10-04.15
2.2 CDTi FWD (A 22 DM)	Diesel	FWD	2231	120	163	12.10-04.15
2.2 CDTi 4x4 (A 22 DMH)	Diesel	4WD	2231	135	184	12.10-04.15

