

LISTA DE APLICACIONES - BUYERS GUIDE

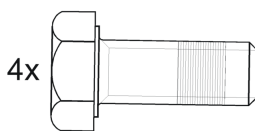
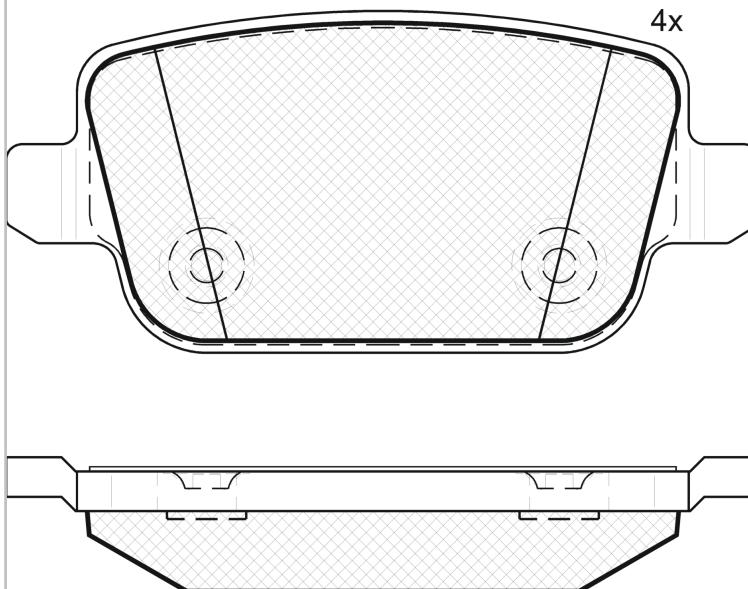
181801



Qty: 944

Weight: 835

O.E.M.	MAKE
1 438 867	FORD
1 439 867	FORD
1 459 408	FORD
1 477 803	FORD
1 566 234	FORD
1 682 005	FORD
1 756 395	FORD
1 917 249	FORD
1 917 250	FORD
6G91-2M008-GA	FORD
6G91-2M008-GB	FORD
6G91-2M008-GC	FORD
6G91-2M008-GD	FORD
6G91-2M008-GF	FORD
6G91-2MM08-GC	FORD
LR-003655	LAND ROVER
LR-003657	LAND ROVER
LR-003772	LAND ROVER
LR-023888	LAND ROVER
LR134697	LAND ROVER
ME6G9J-2M008-GA	FORD
ME6G9J-2M008-GB	FORD
ME6G9J-2M008-GC	FORD
PW 990 333	PROTON
PW 990 396	PROTON



1 - Ref. 690042

181801

E 9 90R-01110/1678



Trw

95.2x43.2x15.8

WVA	FMSI
24537	D1314-8429
MAKE	
FORD	
FORD (CHANGAN)	
LAND ROVER	
PROTON	
VOLVO	



Trac.	CC	Kw	CV		 Front / Rear
-------	----	----	----	--	------------------

FORD

FOCUS II (DA_, HCP, DP) 07.04-09.13					Hatchback (Compact car-C Segment)			
2.5 RS (JZDA)		Gasolina	FWD	2521	224	305	01.09-07.11	■
2.5 RS 500 (JZDA)		Gasolina	FWD	2521	257	350	05.10-07.11	■
2.5 ST (HYDA)		Gasolina	FWD	2522	166	225	10.05-09.12	■
GALAXY II (WA6) 05.06-06.15					Box Body/MPV (Large MPV-M1 Segment)			
EcoBoost	not elec.brak.detent	Gasolina	FWD	1596	118	160	02.11-06.15	■
2.0		Gasolina	FWD	1999	107	145	05.06-06.15	■
2.0 EcoBoost	not elec.brak.detent	Gasolina	FWD	1999	149	203	03.10-06.15	■
TDCi	not elec.brak.detent	Diesel	FWD	1560	85	116	03.13-06.15	■
TDCi	not elec.brak.detent	Diesel	FWD	1997	85	116	01.07-06.15	■
TDCi	not elec.brak.detent	Diesel	FWD	1997	96	131	11.06-06.15	■
TDCi	not elec.brak.detent	Diesel	FWD	1997	103	140	05.06-06.15	■
TDCi	not elec.brak.detent	Diesel	FWD	1997	120	163	03.10-06.15	■
TDCi	not elec.brak.detent	Diesel	FWD	2179	147	200	03.13-06.15	■
GALAXY II (WA6) 05.06-06.15					MPV (Large MPV-M1 Segment)			
1.6 EcoBoost (JTWA)	not elec.brak.detent	Gasolina	FWD	1596	118	160	11.10-06.15	■
1.6 EcoBoost (JTWB)	not elec.brak.detent	Gasolina	FWD	1596	118	160	11.10-06.15	■
2.0 (AOWA)	not elec.brak.detent	Gasolina	FWD	1999	107	145	05.06-06.15	■
2.0 (AOWB)	not elec.brak.detent	Gasolina	FWD	1999	107	145	05.06-06.15	■
2.0 (TBWA)	not elec.brak.detent	Gasolina	FWD	1999	107	145	05.06-06.15	■
2.0 (TBWB)	not elec.brak.detent	Gasolina	FWD	1999	107	145	05.06-06.15	■
2.0 EcoBoost (TNWB)		Gasolina	FWD	1999	146	199	07.10-06.15	■
2.0 EcoBoost (TNWA)	not elec.brak.detent	Gasolina	FWD	1999	149	203	03.10-06.15	■

LISTA DE APLICACIONES - BUYERS GUIDE

2.3 (SEWA)	not elec.brak.detent	Gasolina	FWD	2261	118	160	09.07-06.15	■
2.0 FlexiFuel (TBWA)		Gasol./Etanol	FWD	1999	107	145	05.06-06.15	■
2.0 FlexiFuel (TBWB)		Gasol./Etanol	FWD	1999	107	145	05.06-06.15	■
1.6 TDCi (T1WA)	not elec.brak.detent	Diesel	FWD	1560	85	115	02.11-06.15	■
1.6 TDCi (T1WB)	not elec.brak.detent	Diesel	FWD	1560	85	115	02.11-06.15	■
1.8 TDCi (FFWA)	not elec.brak.detent	Diesel	FWD	1753	74	100	05.06-06.15	■
1.8 TDCi (QYWA)	not elec.brak.detent	Diesel	FWD	1753	92	125	05.06-06.15	■
2.0 TDCi (KLWA)	not elec.brak.detent	Diesel	FWD	1997	85	115	11.07-06.15	■
2.0 TDCi (TYWA)	not elec.brak.detent	Diesel	FWD	1997	85	115	11.07-06.15	■
2.0 TDCi (AZWA)	not elec.brak.detent	Diesel	FWD	1997	96	130	05.06-06.15	■
2.0 TDCi (AZWC)	not elec.brak.detent	Diesel	FWD	1997	100	136	05.06-06.15	■
2.0 TDCi (UKWA)	not elec.brak.detent	Diesel	FWD	1997	100	136	05.06-06.15	■
2.0 TDCi (QXWA)	not elec.brak.detent	Diesel	FWD	1997	103	140	05.06-06.15	■
2.0 TDCi (QXWB)	not elec.brak.detent	Diesel	FWD	1997	103	140	05.06-06.15	■
2.0 TDCi (QXWC)	not elec.brak.detent	Diesel	FWD	1997	103	140	05.06-06.15	■
2.0 TDCi (UFWA)	not elec.brak.detent	Diesel	FWD	1997	103	140	05.06-06.15	■
2.0 TDCi (TXWA)	not elec.brak.detent	Diesel	FWD	1997	120	163	03.10-06.15	■
2.2 TDCi (Q4WA)	not elec.brak.detent	Diesel	FWD	2179	129	175	03.08-12.12	■
2.2 TDCi (KNWA)	not elec.brak.detent	Diesel	FWD	2179	147	200	11.10-06.15	■
KUGA 02.08-11.12				SUV Van (Compact SUV-J Segment)				
2.5		Gasolina	4WD	2521	147	200	02.08-11.12	■
TDCi		Diesel	FWD	1997	103	140	03.10-11.12	■
TDCi 4x4		Diesel	4WD	1997	103	140	03.10-11.12	■
TDCi 4x4		Diesel	4WD	1997	120	163	03.10-11.12	■
KUGA 02.08-11.12				SUV (Compact SUV-J Segment)				
2.5 (HYDB)		Gasolina	FWD	2522	147	200	03.09-11.12	■
2.5 (HYDC)		Gasolina	FWD	2522	147	200	03.09-11.12	■
2.5 4x4 (HYDB)		Gasolina	4WD	2522	147	200	02.08-11.12	■
2.5 4x4 (HYDC)		Gasolina	4WD	2522	147	200	02.08-11.12	■
2.0 TDCi (G6DG)		Diesel	FWD	1997	100	136	03.08-11.12	■
2.0 TDCi (UKDA)		Diesel	FWD	1997	100	136	03.08-11.12	■
2.0 TDCi 4x4 (G6DG)		Diesel	4WD	1997	100	136	03.08-11.12	■
2.0 TDCi 4x4 (UKDA)		Diesel	4WD	1997	100	136	03.08-11.12	■
2.0 TDCi (UFDA)		Diesel	FWD	1997	103	140	03.10-11.12	■
2.0 TDCi 4x4 (UFDA)		Diesel	4WD	1997	103	140	03.10-11.12	■
2.0 TDCi 4x4 (TXDA)		Diesel	4WD	1997	120	163	03.10-11.12	■
MONDEO IV 03.07-01.15				Estate Van (Large family car-D Segment)				
1.6 EcoBoost (JTBA)		Gasolina	FWD	1596	118	160	11.10-09.14	■
2.0 (AOBC)		Gasolina	FWD	1999	107	145	03.07-09.14	■
2.0 EcoBoost (TNBA)		Gasolina	FWD	1999	149	203	03.10-09.14	■
2.0 EcoBoost (TPBA)		Gasolina	FWD	1999	176	239	03.10-09.14	■
1.6 TDCi (T1BA)		Diesel	FWD	1560	85	116	03.13-09.14	■
1.6 TDCi (T1BB)		Diesel	FWD	1560	85	116	03.13-09.14	■
1.6 TDCi (T1BC)		Diesel	FWD	1560	85	116	03.13-09.14	■
2.0 TDCi (KLBA)		Diesel	FWD	1997	85	116	11.07-09.14	■
2.0 TDCi (QXBB)		Diesel	FWD	1997	103	140	03.07-09.14	■
2.0 TDCi (UFBA)		Diesel	FWD	1997	103	140	03.07-09.14	■
2.0 TDCi (UFBB)		Diesel	FWD	1997	103	140	03.07-09.14	■
2.0 TDCi (TXBA)		Diesel	FWD	1997	120	163	03.10-09.14	■

LISTA DE APLICACIONES - BUYERS GUIDE

2.2 TDCi (KNBA)		Diesel	FWD	2179	147	200	03.13-09.14	■
MONDEO IV (BA7) 03.07-01.15				Hatchback (Large family car-D Segment)				
1.6 Ti (RHBA)		Gasolina	FWD	1596	81	110	03.07-01.15	■
1.6 Ti (KGBA)		Gasolina	FWD	1596	88	120	07.10-01.15	■
1.6 Ti (PNBA)		Gasolina	FWD	1596	92	125	03.07-01.15	■
1.6 EcoBoost (JTBA)		Gasolina	FWD	1596	118	160	02.11-01.15	■
1.6 EcoBoost (JTBB)		Gasolina	FWD	1596	118	160	02.11-01.15	■
2.0 (AOBA)		Gasolina	FWD	1999	107	145	03.07-01.15	■
2.0 (AOBC)		Gasolina	FWD	1999	107	145	03.07-01.15	■
2.0 (TBBA)		Gasolina	FWD	1999	107	145	03.07-01.15	■
2.0 (TBBB)		Gasolina	FWD	1999	107	145	03.07-01.15	■
2.0 SCTi (TNBA)		Gasolina	FWD	1999	149	203	03.10-01.15	■
2.0 EcoBoost (TPBA)		Gasolina	FWD	1999	176	240	07.10-01.15	■
2.3 (SEBA)		Gasolina	FWD	2261	118	160	07.07-01.15	■
2.5 (HUBA)		Gasolina	FWD	2521	162	220	03.07-01.15	■
2.0 LPG (TBBA)		Gasol./Gas (LPG)	FWD	1999	107	145	07.09-01.15	■
2.0 FlexiFuel (TBBA)		Gasol./Etanol	FWD	1999	107	145	03.09-01.15	■
2.0 FlexiFuel (TBBB)		Gasol./Etanol	FWD	1999	107	145	03.09-01.15	■
1.6 TDCi (T1BA)		Diesel	FWD	1560	85	115	02.11-01.15	■
1.6 TDCi (T1BB)		Diesel	FWD	1560	85	115	02.11-01.15	■
1.6 TDCi (T1BC)		Diesel	FWD	1560	85	115	02.11-01.15	■
1.8 TDCi (FFBA)		Diesel	FWD	1753	74	100	03.07-01.15	■
1.8 TDCi (KHBA)		Diesel	FWD	1753	92	125	06.07-01.15	■
1.8 TDCi (QYBA)		Diesel	FWD	1753	92	125	06.07-01.15	■
2.0 TDCi (KLBA)		Diesel	FWD	1997	85	115	11.07-01.15	■
2.0 TDCi (LPBA)		Diesel	FWD	1997	85	115	11.07-01.15	■
2.0 TDCi (TYBA)		Diesel	FWD	1997	85	115	11.07-01.15	■
2.0 TDCi (AZBA)		Diesel	FWD	1997	96	130	03.07-01.15	■
2.0 TDCi (AZBC)		Diesel	FWD	1997	100	136	03.07-12.14	■
2.0 TDCi (UKBA)		Diesel	FWD	1997	100	136	03.07-12.14	■
2.0 TDCi (UKBB)		Diesel	FWD	1997	100	136	03.07-12.14	■
2.0 TDCi (QXBA)		Diesel	FWD	1997	103	140	03.07-01.15	■
2.0 TDCi (QXBB)		Diesel	FWD	1997	103	140	03.07-01.15	■
2.0 TDCi (UFBA)		Diesel	FWD	1997	103	140	03.07-01.15	■
2.0 TDCi (UFBB)		Diesel	FWD	1997	103	140	03.07-01.15	■
2.0 TDCi (TXBA)		Diesel	FWD	1997	120	163	03.10-01.15	■
2.0 TDCi (TXBB)		Diesel	FWD	1997	120	163	03.10-01.15	■
2.2 TDCi (Q4BA)		Diesel	FWD	2179	129	175	03.08-10.10	■
2.2 TDCi (KNBA)		Diesel	FWD	2179	147	200	07.10-01.15	■
MONDEO IV (BA7) 03.07-01.15				Saloon (Large family car-D Segment)				
1.6 Ti (RHBA)		Gasolina	FWD	1596	81	110	03.07-01.15	■
1.6 Ti (KGBA)		Gasolina	FWD	1596	88	120	03.10-01.15	■
1.6 Ti (PNBA)		Gasolina	FWD	1596	92	125	03.07-01.15	■
1.6 EcoBoost (JTBA)		Gasolina	FWD	1596	118	160	11.10-01.15	■
1.6 EcoBoost (JTBB)		Gasolina	FWD	1596	118	160	11.10-01.15	■
2.0 (AOBA)		Gasolina	FWD	1999	107	145	03.07-01.15	■
2.0 (AOBC)		Gasolina	FWD	1999	107	145	03.07-01.15	■
2.0 (TBBA)		Gasolina	FWD	1999	107	145	03.07-01.15	■
2.0 (TBBB)		Gasolina	FWD	1999	107	145	03.07-01.15	■

LISTA DE APLICACIONES - BUYERS GUIDE

2.0 SCTi		Gasolina	FWD	1999	149	203	03.10-01.15	■
2.0 EcoBoost (TPBA)		Gasolina	FWD	1999	176	240	03.10-09.14	■
2.3 (SEBA)		Gasolina	FWD	2261	118	160	07.07-01.15	■
2.5 (HUBA)		Gasolina	FWD	2521	162	220	03.07-01.15	■
2.0 LPG (TBBA)		Gasol./Gas (LPG)	FWD	1999	107	145	07.09-01.15	■
2.0 FlexiFuel (TBBA)		Gasol./Etanol	FWD	1999	107	145	03.09-01.15	■
2.0 FlexiFuel (TBBB)		Gasol./Etanol	FWD	1999	107	145	03.09-01.15	■
1.6 TDCi (T1BA)		Diesel	FWD	1560	85	115	12.10-01.15	■
1.6 TDCi (T1BB)		Diesel	FWD	1560	85	115	12.10-01.15	■
1.6 TDCi (T1BC)		Diesel	FWD	1560	85	115	12.10-01.15	■
1.8 TDCi (FFBA)		Diesel	FWD	1753	74	100	03.07-01.15	■
1.8 TDCi (KHBA)		Diesel	FWD	1753	92	125	06.07-01.15	■
1.8 TDCi (QYBA)		Diesel	FWD	1753	92	125	06.07-01.15	■
2.0 TDCi (KLBA)		Diesel	FWD	1997	85	115	11.07-01.15	■
2.0 TDCi (LPBA)		Diesel	FWD	1997	85	115	11.07-01.15	■
2.0 TDCi (TYBA)		Diesel	FWD	1997	85	115	11.07-01.15	■
2.0 TDCi (AZBA)		Diesel	FWD	1997	96	130	03.07-01.15	■
2.0 TDCi (AZBC)		Diesel	FWD	1997	100	136	08.08-12.14	■
2.0 TDCi (UKBA)		Diesel	FWD	1997	100	136	08.08-12.14	■
2.0 TDCi (UKBB)		Diesel	FWD	1997	100	136	08.08-12.14	■
2.0 TDCi (QXBA)		Diesel	FWD	1997	103	140	03.07-01.15	■
2.0 TDCi (QXBB)		Diesel	FWD	1997	103	140	03.07-01.15	■
2.0 TDCi (UFBA)		Diesel	FWD	1997	103	140	03.07-01.15	■
2.0 TDCi (UFBB)		Diesel	FWD	1997	103	140	03.07-01.15	■
2.0 TDCi (TXBA)		Diesel	FWD	1997	120	163	03.10-01.15	■
2.0 TDCi (TXBB)		Diesel	FWD	1997	120	163	03.10-01.15	■
2.2 TDCi (Q4BA)		Diesel	FWD	2179	129	175	03.08-10.10	■
2.2 TDCi (KNBA)		Diesel	FWD	2179	147	200	10.10-01.15	■
MONDEO IV Turnier (BA7) 03.07-01.15						Estate (Large family car-D Segment)		
1.6 Ti (RHBA)		Gasolina	FWD	1596	81	110	03.07-12.12	■
1.6 Ti (KGBA)		Gasolina	FWD	1596	88	120	07.10-01.15	■
1.6 Ti (PNBA)		Gasolina	FWD	1596	92	125	03.07-12.10	■
1.6 EcoBoost (JTBA)		Gasolina	FWD	1596	118	160	02.11-01.15	■
1.6 EcoBoost (JTBB)		Gasolina	FWD	1596	118	160	02.11-01.15	■
2.0 (AOBA)		Gasolina	FWD	1999	107	145	03.07-01.15	■
2.0 (AOBC)		Gasolina	FWD	1999	107	145	03.07-01.15	■
2.0 (TBBA)		Gasolina	FWD	1999	107	145	03.07-01.15	■
2.0 (TBBB)		Gasolina	FWD	1999	107	145	03.07-01.15	■
2.0 SCTi (TNBA)		Gasolina	FWD	1999	149	203	03.10-01.15	■
2.0 EcoBoost (TPBA)		Gasolina	FWD	1999	176	240	07.10-01.15	■
2.3 (SEBA)		Gasolina	FWD	2261	118	160	07.07-01.15	■
2.5 (HUBA)		Gasolina	FWD	2521	162	220	03.07-12.12	■
2.0 LPG (TBBA)		Gasol./Gas (LPG)	FWD	1999	107	145	07.09-01.15	■
2.0 FlexiFuel (TBBA)		Gasol./Etanol	FWD	1999	107	145	03.09-01.15	■
2.0 FlexiFuel (TBBB)		Gasol./Etanol	FWD	1999	107	145	03.09-01.15	■
1.6 TDCi (T1BA)		Diesel	FWD	1560	85	115	02.11-01.15	■
1.6 TDCi (T1BB)		Diesel	FWD	1560	85	115	02.11-01.15	■
1.6 TDCi (T1BC)		Diesel	FWD	1560	85	115	02.11-01.15	■

LISTA DE APLICACIONES - BUYERS GUIDE

1.8 TDCi (FFBA)		Diesel	FWD	1753	74	100	03.07-12.12	■
1.8 TDCi (KHBA)		Diesel	FWD	1753	92	125	06.07-12.12	■
1.8 TDCi (QYBA)		Diesel	FWD	1753	92	125	06.07-12.12	■
2.0 TDCi (KLBA)		Diesel	FWD	1997	85	115	11.07-01.15	■
2.0 TDCi (LPBA)		Diesel	FWD	1997	85	115	11.07-01.15	■
2.0 TDCi (TYBA)		Diesel	FWD	1997	85	115	11.07-01.15	■
2.0 TDCi (AZBA)		Diesel	FWD	1997	96	130	03.07-12.12	■
2.0 TDCi (AZBC)		Diesel	FWD	1997	100	136	03.07-12.14	■
2.0 TDCi (UKBA)		Diesel	FWD	1997	100	136	03.07-12.14	■
2.0 TDCi (UKBB)		Diesel	FWD	1997	100	136	03.07-12.14	■
2.0 TDCi (QXBA)		Diesel	FWD	1997	103	140	03.07-01.15	■
2.0 TDCi (QXBB)		Diesel	FWD	1997	103	140	03.07-01.15	■
2.0 TDCi (UFBA)		Diesel	FWD	1997	103	140	03.07-01.15	■
2.0 TDCi (UFBB)		Diesel	FWD	1997	103	140	03.07-01.15	■
2.0 TDCi (TXBA)		Diesel	FWD	1997	120	163	03.10-01.15	■
2.0 TDCi (TXBB)		Diesel	FWD	1997	120	163	03.10-01.15	■
2.2 TDCi (Q4BA)		Diesel	FWD	2179	129	175	03.08-10.10	■
2.2 TDCi (KNBA)		Diesel	FWD	2179	147	200	07.10-01.15	■
S-MAX (WA6) 05.06-12.14							Box Body/MPV (LCVs-N1 Segment)	
1.6		Gasolina	FWD	1596	118	160	02.11-12.14	■
2.0		Gasolina	FWD	1999	107	145	03.10-12.14	■
2.0 EcoBoost		Gasolina	FWD	1999	149	203	03.10-12.14	■
2.0 EcoBoost		Gasolina	FWD	1999	176	239	07.10-12.14	■
2.0 TDCi		Diesel	FWD	1997	85	116	01.07-12.14	■
2.0 TDCi		Diesel	FWD	1997	103	140	03.10-12.14	■
2.0 TDCi		Diesel	FWD	1997	120	163	03.10-12.14	■
S-MAX (WA6) 05.06-12.14							MPV (Large MPV-M1 Segment)	
1.6 EcoBoost (JTWA)	not elec.brak.detent	Gasolina	FWD	1596	118	160	02.11-12.14	■
1.6 EcoBoost (JTWB)	not elec.brak.detent	Gasolina	FWD	1596	118	160	02.11-12.14	■
2.0 (AOWA)	not elec.brak.detent	Gasolina	FWD	1999	107	145	05.06-12.14	■
2.0 (AOWB)	not elec.brak.detent	Gasolina	FWD	1999	107	145	05.06-12.14	■
2.0 (TBWA)	not elec.brak.detent	Gasolina	FWD	1999	107	145	05.06-12.14	■
2.0 (TBWB)	not elec.brak.detent	Gasolina	FWD	1999	107	145	05.06-12.14	■
2.0 EcoBoost (TNWB)		Gasolina	FWD	1999	146	199	07.10-12.14	■
2.0 EcoBoost (TNWA)	not elec.brak.detent	Gasolina	FWD	1999	149	203	03.10-12.14	■
2.0 EcoBoost (TPWA)	not elec.brak.detent	Gasolina	FWD	1999	176	240	07.10-12.14	■
2.3 (SEWA)	not elec.brak.detent	Gasolina	FWD	2261	118	160	07.07-12.14	■
2.5 ST (HUWA)	not elec.brak.detent	Gasolina	FWD	2521	162	220	05.06-12.14	■
2.0 FlexiFuel (TBWA)	not elec.brak.detent	Gasol./Etanol	FWD	1999	107	145	05.06-12.14	■
2.0 FlexiFuel (TBWB)	not elec.brak.detent	Gasol./Etanol	FWD	1999	107	145	05.06-12.14	■
1.6 TDCi (T1WA)	not elec.brak.detent	Diesel	FWD	1560	85	115	02.11-12.14	■
1.6 TDCi (T1WB)	not elec.brak.detent	Diesel	FWD	1560	85	115	02.11-12.14	■
1.8 TDCi (FFWA)		Diesel	FWD	1753	74	100	01.07-12.10	■
1.8 TDCi (QYWA)	not elec.brak.detent	Diesel	FWD	1753	92	125	05.06-12.14	■
2.0 TDCi (KLWA)	not elec.brak.detent	Diesel	FWD	1997	85	115	11.07-12.14	■
2.0 TDCi (TYWA)	not elec.brak.detent	Diesel	FWD	1997	85	115	11.07-12.14	■
2.0 TDCi (AZWA)	not elec.brak.detent	Diesel	FWD	1997	96	130	05.06-12.14	■
2.0 TDCi (AZWC)	not elec.brak.detent	Diesel	FWD	1997	100	136	05.06-12.14	■
2.0 TDCi (UKWA)	not elec.brak.detent	Diesel	FWD	1997	100	136	05.06-12.14	■
2.0 TDCi (QXWA)	not elec.brak.detent	Diesel	FWD	1997	103	140	05.06-12.14	■

LISTA DE APLICACIONES - BUYERS GUIDE

2.0 TDCi (QXWB)	not elec.brak.detent	Diesel	FWD	1997	103	140	05.06-12.14	■
2.0 TDCi (QXWC)	not elec.brak.detent	Diesel	FWD	1997	103	140	05.06-12.14	■
2.0 TDCi (UFWA)	not elec.brak.detent	Diesel	FWD	1997	103	140	05.06-12.14	■
2.0 TDCi (TXWA)	not elec.brak.detent	Diesel	FWD	1997	120	163	03.10-12.14	■
2.2 TDCi (Q4WA)	not elec.brak.detent	Diesel	FWD	2179	129	175	03.08-12.12	■
2.2 TDCi (KNWA)	not elec.brak.detent	Diesel	FWD	2179	147	200	07.10-12.14	■

FORD (CHANGAN)

MONDEO 05.03-					Saloon (Large family car-D Segment)			
2.0	01/07-	Gasolina	FWD	1999	105	141	05.03-	■
2.5	01/07-	Gasolina	FWD	2495	127	170	05.03-	■
S-MAX (BWS) 01.07-					MPV (Large MPV-M1 Segment)			
2.3		Gasolina	FWD	2261	118	158	01.07-	■
2.3		Gasolina	FWD	2261	119	160	01.07-	■

LAND ROVER

FREELANDER 2 / LR2 (L359) 10.06-12.15					Closed Off-Road Vehicle (Compact SUV-J Segment)			
2.0 Si4 4x4 (204PT)		Gasolina	4WD	1999	177	241	10.11-10.14	■
3.2 4x4 (B 6324 S)		Gasolina	4WD	3192	171	233	10.06-10.14	■
2.2 eD4 (224DT)		Diesel	FWD	2179	110	150	08.10-10.14	■
2.2 eD4 (DW12BTED4)		Diesel	FWD	2179	110	150	08.10-10.14	■
2.2 TD4 4x4 (224DT)		Diesel	4WD	2179	110	150	10.06-10.14	■
2.2 TD4 4x4 (DW12BTED4)		Diesel	4WD	2179	110	150	10.06-10.14	■
2.2 TD4 4x4 (224DT)		Diesel	4WD	2179	112	152	01.07-10.14	■
2.2 TD4 4x4 (224DT)		Diesel	4WD	2179	115	156	10.06-10.14	■
2.2 TD4 4x4 (224DT)		Diesel	4WD	2179	118	160	10.06-10.14	■
2.2 TD4 4x4 (DW12BTED4)		Diesel	4WD	2179	118	160	10.06-10.14	■
2.2 SD4 4x4 (224DT)		Diesel	4WD	2179	140	190	08.10-10.14	■
FREELANDER 2 / LR2 (L359) 10.06-10.14					Van (Compact SUV-J Segment)			
2.2 TD4 4x4 (224DT)		Diesel	4WD	2179	118	160	10.06-10.14	■

PROTON

EXORA 04.09-					MPV (Compact MPV-M1 Segment)			
1.6 (FZ6Y) (S4PHT)		Gasolina	FWD	1561	103	140	12.11-	■
PREVÉ 12.11-					Saloon (Compact car-C Segment)			
1.6 (CR6S) (S4PHT)		Gasolina	FWD	1561	103	140	12.11-	■
1.6		Gasolina	FWD	1597	80	109	12.11-	■
SUPRIMA S 08.13-					Hatchback (Compact car-C Segment)			
1.6 (CR6S) (S4PHT)		Gasolina	FWD	1561	103	140	08.13-	■

VOLVO

S80 II (124) 03.06-					Saloon (Executive car-E Segment)			
T4 (B 4164 T)	not elec.brak.detent	Gasolina	FWD	1596	132	180	10.10-04.14	■
T5 (B 4204 T15)	not elec.brak.detent	Gasolina	FWD	1969	162	220	01.14-12.16	■
2.0 (B 4204 S3)	not elec.brak.detent	Gasolina	FWD	1999	107	146	01.08-09.12	■
2.0 T (B 4204 T6)	not elec.brak.detent	Gasolina	FWD	1999	149	203	01.10-05.11	■
T5 (B 4204 T7)	not elec.brak.detent	Gasolina	FWD	1999	177	241	10.10-12.16	■
2.5 T (B 5254 T14)		Gasolina	FWD	2497	183	249	09.12-12.16	■
2.5 T (B 5254 T12)		Gasolina	FWD	2497	187	254	01.12-04.16	■
2.5 T (B 5254 T6)	not elec.brak.detent	Gasolina	FWD	2521	147	200	03.06-12.11	■
2.5 T (B 5254 T10)	not elec.brak.detent	Gasolina	FWD	2521	170	231	01.10-12.12	■

LISTA DE APLICACIONES - BUYERS GUIDE

T6 AWD (B 6304 T2)	not elec.brak.detent	Gasolina	4WD	2953	210	286	01.07-12.10	■
T6 AWD (B 6304 T4)	not elec.brak.detent	Gasolina	4WD	2953	224	305	10.10-12.15	■
3.2 (B 6324 S)	not elec.brak.detent	Gasolina	FWD	3192	175	238	03.06-12.10	■
3.2 AWD (B 6324 S)	not elec.brak.detent	Gasolina	4WD	3192	175	238	01.07-12.10	■
3.2 (B 6324 S5)	not elec.brak.detent	Gasolina	FWD	3192	179	243	01.10-12.14	■
3.2 AWD (B 6324 S5)	not elec.brak.detent	Gasolina	4WD	3192	179	243	01.10-12.14	■
4.4 V8 AWD (B 8444 S)	not elec.brak.detent	Gasolina	4WD	4414	232	316	03.06-03.12	■
T4F (B 4164 T2)	not elec.brak.detent	Gasol./Etanol	FWD	1596	132	180	05.11-01.14	■
2.0 FlexFuel (B 4204 S4)	not elec.brak.detent	Gasol./Etanol	FWD	1999	107	146	01.08-12.11	■
2.5 T FlexFuel (B 5254 T8)	not elec.brak.detent	Gasol./Etanol	FWD	2521	147	200	05.08-12.11	■
2.5 T FlexFuel (B 5254 T11)	not elec.brak.detent	Gasol./Etanol	FWD	2521	170	231	01.10-12.11	■
1.6 D DRIVe (D 4164 T)	not elec.brak.detent	Diesel	FWD	1560	80	109	01.10-12.11	■
1.6 DRIVe (D 4162 T)	not elec.brak.detent	Diesel	FWD	1560	84	114	06.11-01.14	■
D3 / D4 (D 5204 T2)	not elec.brak.detent	Diesel	FWD	1984	120	163	01.10-12.16	■
D3 / D4 (D 5204 T3)	not elec.brak.detent	Diesel	FWD	1984	120	163	01.10-12.16	■
2.0 TDI (D 4204 T)	not elec.brak.detent	Diesel	FWD	1998	100	136	02.08-03.11	■
2.4 D (D 5244 T19)	not elec.brak.detent	Diesel	FWD	2400	120	163	03.06-03.11	■
2.4 D (D 5244 T5)	not elec.brak.detent	Diesel	FWD	2400	120	163	03.06-03.11	■
2.4 D (D 5244 T14)	not elec.brak.detent	Diesel	FWD	2400	129	175	01.10-03.11	■
D5 (D 5244 T4)	not elec.brak.detent	Diesel	FWD	2400	136	185	03.06-08.09	■
D5 AWD (D 5244 T4)	not elec.brak.detent	Diesel	4WD	2400	136	185	01.07-05.09	■
D5 (D 5244 T10)	not elec.brak.detent	Diesel	FWD	2400	151	205	01.10-12.11	■
D5 AWD (D 5244 T10)	not elec.brak.detent	Diesel	4WD	2400	151	205	01.10-12.11	■
D5 (D 5244 T11)	not elec.brak.detent	Diesel	FWD	2400	158	215	06.11-04.15	■
D5 (D 5244 T15)	not elec.brak.detent	Diesel	FWD	2400	158	215	06.11-04.15	■
D5 AWD (D 5244 T15)	not elec.brak.detent	Diesel	4WD	2400	158	215	06.11-04.15	■
V70 III (135) 09.13-							Estate Van (Executive car-E Segment)	
2.4 D4	not elec.brak.detent	Diesel	FWD	2400	120	163	09.13-	■
2.4 D4 AWD	not elec.brak.detent	Diesel	4WD	2400	120	163	09.13-12.15	■
2.4 D5 (D 5244 T11)	not elec.brak.detent	Diesel	FWD	2400	158	215	09.13-12.15	■
2.4 D5 (D 5244 T15)	not elec.brak.detent	Diesel	FWD	2400	158	215	09.13-12.15	■
V70 III (135) 04.07-							Estate (Executive car-E Segment)	
T4 (B 4164 T)	not elec.brak.detent	Gasolina	FWD	1596	132	180	10.10-12.15	■
2.0 (B 4204 S3)	not elec.brak.detent	Gasolina	FWD	1999	107	145	10.07-12.11	■
2.0 T (B 4204 T6)	not elec.brak.detent	Gasolina	FWD	1999	149	203	09.09-12.11	■
T5 (B 4204 T7)	not elec.brak.detent	Gasolina	FWD	1999	177	241	01.10-12.14	■
2.5 T (B 5254 T6)	not elec.brak.detent	Gasolina	FWD	2521	147	200	08.07-12.09	■
2.5 T (B 5254 T10)	not elec.brak.detent	Gasolina	FWD	2521	170	231	04.09-12.12	■
T6 AWD (B 6304 T2)	not elec.brak.detent	Gasolina	4WD	2953	210	286	08.07-12.10	■
T6 AWD (B 6304 T4)	not elec.brak.detent	Gasolina	4WD	2953	224	305	01.10-12.15	■
3.2 (B 6324 S)	not elec.brak.detent	Gasolina	FWD	3192	175	238	08.07-12.10	■
3.2 AWD (B 6324 S)	not elec.brak.detent	Gasolina	4WD	3192	175	238	04.07-12.10	■
3.2 (B 6324 S5)	not elec.brak.detent	Gasolina	FWD	3192	179	243	04.10-12.14	■
3.2 AWD (B 6324 S5)	not elec.brak.detent	Gasolina	4WD	3192	179	243	04.10-12.15	■
T4F (B 4164 T2)	not elec.brak.detent	Gasol./Etanol	FWD	1596	132	180	01.11-12.15	■
2.0 FlexiFuel (B 4204 S4)	not elec.brak.detent	Gasol./Etanol	FWD	1999	107	146	01.08-12.11	■
2.5 T FlexiFuel (B 5254 T8)	not elec.brak.detent	Gasol./Etanol	FWD	2521	147	200	05.08-12.09	■

LISTA DE APLICACIONES - BUYERS GUIDE

2.5 T FlexiFuel (B 5254 T11)	not elec.brak.detent	Gasol./Etanol	FWD	2521	170	231	04.09-12.11	■	
1.6 D (D 4164 T)	not elec.brak.detent	Diesel	FWD	1560	80	109	07.09-12.11	■	
1.6 DRIVe / D2 (D 4162 T)	not elec.brak.detent	Diesel	FWD	1560	84	114	04.11-12.15	■	
2.0 D (D 4204 T)	not elec.brak.detent	Diesel	FWD	1998	100	136	10.07-12.15	■	
2.4 D (D 5244 T19)	not elec.brak.detent	Diesel	FWD	2400	120	163	04.07-12.10	■	
2.4 D (D 5244 T5)	not elec.brak.detent	Diesel	FWD	2400	120	163	04.07-12.10	■	
2.4 D (D 5244 T14)	not elec.brak.detent	Diesel	FWD	2400	129	175	04.09-12.10	■	
D5 (D 5244 T4)	not elec.brak.detent	Diesel	FWD	2400	136	185	04.07-12.09	■	
D5 (D 5244 T10)	not elec.brak.detent	Diesel	FWD	2400	151	205	10.08-12.11	■	
D5 AWD (D 5244 T10)	not elec.brak.detent	Diesel	4WD	2400	151	205	12.09-12.11	■	
D5 (D 5244 T11)	not elec.brak.detent	Diesel	FWD	2400	158	215	04.11-12.15	■	
D5 (D 5244 T15)	not elec.brak.detent	Diesel	FWD	2400	158	215	04.11-12.15	■	
D5 AWD (D 5244 T15)	not elec.brak.detent	Diesel	4WD	2400	158	215	04.11-12.15	■	
D5	not elec.brak.detent	Diesel	FWD	2400	169	230	03.11-04.16	■	
D5 AWD	not elec.brak.detent	Diesel	4WD	2400	169	230	03.11-04.16	■	
D5 AWD (D 5244 T4)	not elec.brak.detent	Diesel	4WD	2401	136	185	04.07-12.09	■	
XC70 III (136) 04.07-							Estate (Executive car-E Segment)		
T6 AWD (B 6304 T2)	not elec.brak.detent	Gasolina	4WD	2953	210	286	01.08-12.16	■	
T6 AWD (B 6304 T4)	not elec.brak.detent	Gasolina	4WD	2953	224	304	01.10-04.15	■	
3.2	not elec.brak.detent	Gasolina	FWD	3192	171	233	09.10-12.12	■	
3.2 AWD (B 6324 S)	not elec.brak.detent	Gasolina	4WD	3192	175	238	08.07-12.11	■	
3.2	not elec.brak.detent	Gasolina	FWD	3192	179	243	08.07-	■	
3.2 AWD (B 6324 S5)	not elec.brak.detent	Gasolina	4WD	3192	179	243	05.10-12.14	■	
D3 (D 5204 T2)	not elec.brak.detent	Diesel	FWD	1984	120	163	04.10-12.15	■	
D3 (D 5204 T3)	not elec.brak.detent	Diesel	FWD	1984	120	163	04.10-12.15	■	
D3	not elec.brak.detent	Diesel	RWD	1984	120	163	08.11-	■	
2.4 D / D4 AWD (D 5244 T16)	not elec.brak.detent	Diesel	4WD	2400	120	163	08.07-04.16	■	
2.4 D / D4 AWD (D 5244 T17)	not elec.brak.detent	Diesel	4WD	2400	120	163	08.07-04.16	■	
2.4 D / D4 AWD (D 5244 T5)	not elec.brak.detent	Diesel	4WD	2400	120	163	08.07-04.16	■	
2.4 D (D 5244 T14)	not elec.brak.detent	Diesel	FWD	2400	129	175	06.09-12.10	■	
D5 AWD (D 5244 T4)	not elec.brak.detent	Diesel	4WD	2400	136	185	04.07-12.09	■	
D5 AWD (D 5244 T10)	not elec.brak.detent	Diesel	4WD	2400	151	205	04.09-12.11	■	
D5 AWD (D 5244 T11)	not elec.brak.detent	Diesel	4WD	2400	158	215	04.11-12.15	■	
D5 AWD (D 5244 T15)	not elec.brak.detent	Diesel	4WD	2400	158	215	04.11-12.15	■	