

# LISTA DE APLICACIONES - BUYERS GUIDE

## 181809-203

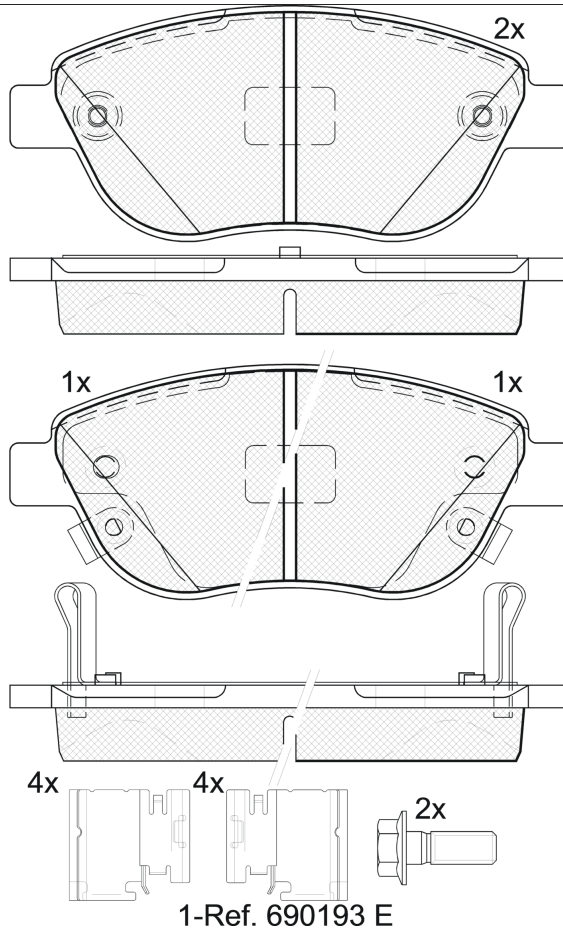


8 424073 106131

Qty: 300

Weight: 1.725

O.E.M.	MAKE
6 819 011 8AB	FIAT
7 736 648 1	FIAT
7 736 653 4	FIAT



## 181809-203

**E 9** 90R-02A0111/3637



Bosch

136.8x57.6x19.2
136.9x57.6x19.2

WVA	FMSI
23708	D1778-8921
23710	D2351-8921
23981	
24549	
25802	
<b>MAKE</b>	
FIAT	



Trac.	CC	Kw	CV
-------	----	----	----



Front / Rear

### FIAT

500 L (351_, 352_) 09.12-							Hatchback (Mini MPV-M1 Segment)		
0.9 (199LYC1B) (199 B6.000)		Gasolina	FWD	875	77	105	09.12-	■	
1.4 (199LYB1B) (843 A1.000)		Gasolina	FWD	1368	70	95	09.12-	■	
1.4 (199LYF1B) (940 B7.000)		Gasolina	FWD	1368	88	120	10.13-	■	
0.9 Natural Power (199LYC1B) (312 A2.000)		Gasol./Gas (CNG)	FWD	875	59	80	04.17-	■	
0.9 Natural Power (199LYC1B) (312 A2.000)		Gasol./Gas (CNG)	FWD	875	63	86	03.13-	■	
1.3 D Multijet (199LXY1A, 199LXY11) (199 B4.000)		Diesel	FWD	1248	62	84	09.12-	■	
1.3 D Multijet (199.LYM11, 199.LYM1A) (330 A1.000)		Diesel	FWD	1248	70	95	06.14-	■	
1.6 D Multijet (199LYD1B) (199 B5.000)		Diesel	FWD	1598	77	105	09.12-05.18	■	