

LISTA DE APLICACIONES - BUYERS GUIDE

181814

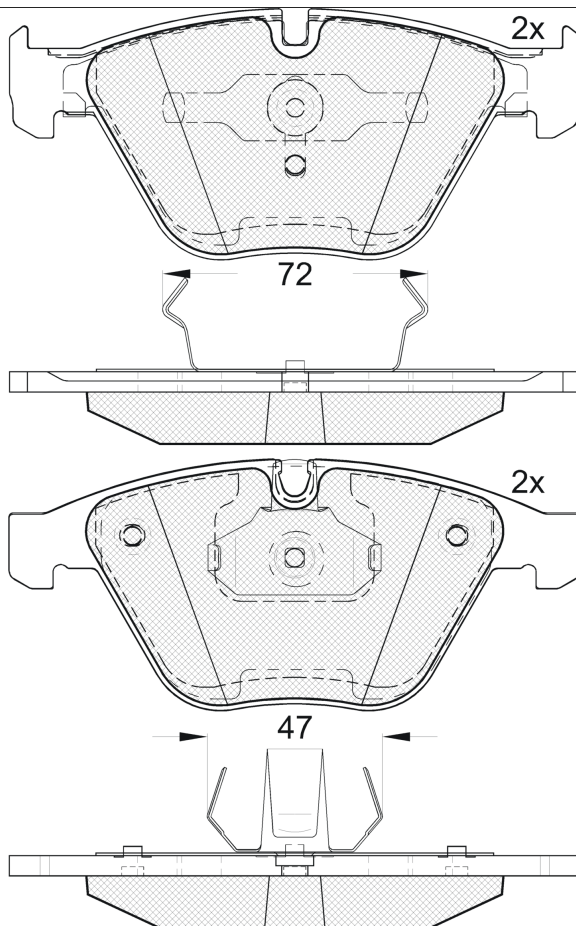


8 424073 096074

Qty: 300

Weight: 2.055

O.E.M.	MAKE
34 11 2 283 764	BMW
34 11 2 288 870	BMW
34 11 2 288 871	BMW
34 11 2 288 873	BMW
34 11 2 288 874	BMW
34 11 6 776 161	BMW
34 11 6 783 542	BMW
34 11 6 790 760	BMW
34 11 6 794 917	BMW



181814

E 9 90R-01111/1387



Ate - Teves

155.1x68.3x20.3
155.2x68.3x20.3

WVA	FMSI
23347	D1260-7799
23704	
24161	
24327	
24613	
MAKE	
BMW	



Trac.	CC	Kw	CV
-------	----	----	----



Front / Rear

BMW

3 Serie V (E93) 05.06-12.13							Convertible (Compact executive car-D Segment)			
335 i (N54 B30 A)	-12/12	Gasolina	RWD	2979	225	306	12.06-10.13	■		
335 i (N55 B30 A)	-12/12	Gasolina	RWD	2979	225	306	12.06-10.13	■		
335 i (N54 B30 A)		Gasolina	RWD	2979	240	326	05.06-10.13	■		
335 i (N55 B30 A)		Gasolina	RWD	2979	240	326	05.06-10.13	■		
330i (N53 B30 A)	-12/12, increased payload	Gasolina	RWD	2996	200	272	03.07-10.13	■		
330i (N52 B30 A)		Gasolina	RWD	2996	200	272	03.07-02.10	■		
M3 (S65 B40 A)		Gasolina	RWD	3999	309	420	03.08-10.13	■		
320 d (N47 D20 A)		Diesel	RWD	1995	130	177	03.08-02.10	■		
320 d (N47 D20 C)		Diesel	RWD	1995	130	177	03.08-02.10	■		
325 d (M57 D30 (306D3))		Diesel	RWD	2993	145	197	03.07-12.10	■		
325 d (N57 D30 A)		Diesel	RWD	2993	150	204	09.09-09.13	■		
330 d (M57 D30 (306D3))	-12/12	Diesel	RWD	2993	170	231	03.07-12.13	■		
330 d (N57 D30 A)	-12/12	Diesel	RWD	2993	180	245	01.09-09.13	■		
3 Serie V (E92) 01.05-12.13							Coupe (Compact executive car-D Segment)			
335 i		Gasolina	RWD	2979	224	305	03.07-06.13	■		
335 i xDrive (N54 B30 A)		Gasolina	4WD	2979	224	305	01.09-06.13	■		
335 i (N54 B30 A)	-12/12	Gasolina	RWD	2979	225	306	06.06-06.13	■		
335 i (N55 B30 A)	-12/12	Gasolina	RWD	2979	225	306	06.06-06.13	■		
335 i xDrive (N54 B30 A)	-12/12	Gasolina	4WD	2979	225	306	11.08-12.13	■		
335 i xDrive (N55 B30 A)	-12/12	Gasolina	4WD	2979	225	306	11.08-12.13	■		
335 xi (N54 B30 A)		Gasolina	4WD	2979	225	306	03.07-02.10	■		
335 xi (N55 B30 A)		Gasolina	4WD	2979	225	306	03.07-02.10	■		

LISTA DE APLICACIONES - BUYERS GUIDE

335 i (N54 B30 A)		Gasolina	RWD	2979	240	326	06.06-06.13	■
335 i (N55 B30 A)		Gasolina	RWD	2979	240	326	06.06-06.13	■
335 i xDrive (N55 B30 A)		Gasolina	4WD	2979	240	326	11.08-06.13	■
335 xi (N54 B30 A)		Gasolina	4WD	2979	240	326	03.07-02.10	■
3.0 328i		Gasolina	FWD	2996	187	254	08.06-11.07	■
330i (N52 B30 A)	increased payload	Gasolina	RWD	2996	200	272	09.06-02.10	■
330i (N52 B30 AF)	increased payload	Gasolina	RWD	2996	200	272	09.06-02.10	■
330i (N52 B30 BF)	increased payload	Gasolina	RWD	2996	200	272	09.06-02.10	■
330i (N53 B30 A)		Gasolina	RWD	2996	200	272	09.07-06.13	■
330 i xDrive (N53 B30 A)	-12/12	Gasolina	4WD	2996	200	272	03.10-06.13	■
330 xi (N52 B30 A)		Gasolina	4WD	2996	200	272	09.06-08.07	■
M3 (S65 B40 A)		Gasolina	RWD	3999	309	420	06.07-06.13	■
325 d (M57 D30 (306D3))		Diesel	RWD	2993	145	197	02.07-02.10	■
325 d (N57 D30 A)	-12/12	Diesel	RWD	2993	150	204	09.09-06.13	■
325 d (M57 D30 (306D3))		Diesel	RWD	2993	155	211	02.07-02.10	■
330 d (M57 D30 (306D3))		Diesel	RWD	2993	170	231	03.06-08.08	■
330 xd (M57 D30 (306D3))		Diesel	4WD	2993	170	231	03.06-08.08	■
330 d (N57 D30 A)	-12/12	Diesel	RWD	2993	180	245	01.09-06.13	■
330 d xDrive (N57 D30 A)	-12/12	Diesel	4WD	2993	180	245	02.10-06.13	■
330 xd (N57 D30 A)		Diesel	4WD	2993	180	245	03.08-02.10	■
335 d (M57 D30 (306D5))	-12/12	Diesel	RWD	2993	210	286	03.06-03.13	■
3 Serie V (E90) 02.04-12.13							Saloon (Compact executive car-D Segment)	
335 i (N54 B30 A)		Gasolina	RWD	2979	220	299	03.06-12.11	■
335 i (N55 B30 A)		Gasolina	RWD	2979	220	299	03.06-12.11	■
335 i (N54 B30 A)		Gasolina	RWD	2979	224	305	03.06-12.11	■
335 i xDrive		Gasolina	4WD	2979	224	305	05.08-10.11	■
335 xi (N54 B30 A)		Gasolina	4WD	2979	224	305	09.06-06.08	■
335 i (N54 B30 A)		Gasolina	RWD	2979	225	306	09.06-12.11	■
335 i (N55 B30 A)		Gasolina	RWD	2979	225	306	09.06-12.11	■
335 i xDrive (N54 B30 A)		Gasolina	4WD	2979	225	306	09.08-10.11	■
335 i xDrive (N55 B30 A)		Gasolina	4WD	2979	225	306	09.08-10.11	■
335 xi (N54 B30 A)	increased payload	Gasolina	4WD	2979	225	306	03.07-08.08	■
335 i (N54 B30 A)		Gasolina	RWD	2979	240	326	03.06-12.11	■
335 i (N55 B30 A)		Gasolina	RWD	2979	240	326	03.06-12.11	■
335 i xDrive (N54 B30 A)		Gasolina	4WD	2979	240	326	05.08-10.11	■
335 i xDrive (N55 B30 A)		Gasolina	4WD	2979	240	326	05.08-10.11	■
335 xi (N54 B30 A)		Gasolina	4WD	2979	240	326	09.06-06.08	■
330i (N52 B30 A)	01/07-	Gasolina	RWD	2996	190	258	12.04-10.11	■
330i (N52 B30 BF)	01/07-	Gasolina	RWD	2996	190	258	12.04-10.11	■
330 xi (N52 B30 A)	increased payload	Gasolina	4WD	2996	190	258	09.05-08.07	■
330i (N53 B30 A)		Gasolina	RWD	2996	200	272	09.07-10.11	■
330i (N52 B30 A)		Gasolina	RWD	2996	200	272	03.07-12.11	■
330i (N52 B30 BF)		Gasolina	RWD	2996	200	272	03.07-12.11	■
330 i xDrive (N53 B30 A)	increased payload	Gasolina	4WD	2996	200	272	09.08-10.11	■
330 xi (N53 B30 A)	increased payload	Gasolina	4WD	2996	200	272	09.07-08.08	■
M3 (S65 B40 A)		Gasolina	RWD	3999	309	420	12.07-10.11	■
325 d (M57 D30 (306D3))	not M technique, increased payload	Diesel	RWD	2993	145	197	09.06-02.10	■
325 d (N57 D30 A)	government vehicles	Diesel	RWD	2993	150	204	03.10-10.11	■
330 d (M57 D30 (306D3))		Diesel	RWD	2993	155	211	09.05-12.11	■
330 d (N57 D30 A)		Diesel	RWD	2993	155	211	09.05-12.11	■

LISTA DE APLICACIONES - BUYERS GUIDE

330 d (M57 D30 (306D3))	01/07-	Diesel	RWD	2993	170	231	09.05-09.08	■	
330 xd (M57 D30 (306D3))	01/07-	Diesel	4WD	2993	170	231	09.05-08.08	■	
330 d (N57 D30 A)	increased payload	Diesel	RWD	2993	180	245	09.08-10.11	■	
330 d xDrive (N57 D30 A)		Diesel	4WD	2993	180	245	09.08-10.11	■	
335 d		Diesel	RWD	2993	198	269	09.08-12.11	■	
335 d (M57 D30 (306D5))		Diesel	RWD	2993	210	286	09.06-12.11	■	
3 Serie V Touring (E91) 12.04-12.12							Estate (Compact executive car-D Segment)		
320i (N43 B20 A)		Gasolina	RWD	1995	125	170	02.07-12.12	■	
335 i (N54 B30 A)		Gasolina	RWD	2979	225	306	09.06-06.12	■	
335 i (N55 B30 A)		Gasolina	RWD	2979	225	306	09.06-06.12	■	
335 i xDrive (N54 B30 A)		Gasolina	4WD	2979	225	306	09.08-06.12	■	
335 i xDrive (N55 B30 A)		Gasolina	4WD	2979	225	306	09.08-06.12	■	
335 xi (N54 B30 A)		Gasolina	4WD	2979	225	306	03.07-08.08	■	
335 xi (N55 B30 A)		Gasolina	4WD	2979	225	306	03.07-08.08	■	
335 i (N54 B30 A)		Gasolina	RWD	2979	240	326	09.06-06.12	■	
335 i (N55 B30 A)		Gasolina	RWD	2979	240	326	09.06-06.12	■	
335 i xDrive (N54 B30 A)		Gasolina	4WD	2979	240	326	09.08-06.12	■	
335 i xDrive (N55 B30 A)		Gasolina	4WD	2979	240	326	09.08-06.12	■	
335 xi (N54 B30 A)		Gasolina	4WD	2979	240	326	03.07-08.08	■	
330i (N52 B30 A)	01/07-	Gasolina	RWD	2996	190	258	08.05-08.07	■	
330 xi (N52 B30 A)	01/07-	Gasolina	4WD	2996	190	258	09.05-08.07	■	
330i (N53 B30 A)		Gasolina	RWD	2996	200	272	09.07-06.12	■	
330i		Gasolina	RWD	2996	200	272	03.07-06.12	■	
330 i xDrive (N53 B30 A)	increased payload	Gasolina	4WD	2996	200	272	09.07-06.12	■	
330 xi (N53 B30 A)		Gasolina	4WD	2996	200	272	09.07-06.12	■	
325 d (M57 D30 (306D3))	government vehicles	Diesel	RWD	2993	145	197	09.06-06.12	■	
325 d (N57 D30 A)	government vehicles, not M technique	Diesel	RWD	2993	150	204	02.10-06.12	■	
330 d (M57 D30 (306D3))		Diesel	RWD	2993	155	211	06.05-05.12	■	
330 d (N57 D30 A)		Diesel	RWD	2993	155	211	06.05-05.12	■	
330 d (M57 D30 (306D3))	01/07-	Diesel	RWD	2993	170	231	12.04-08.08	■	
330 xd (M57 D30 (306D3))	01/07-	Diesel	4WD	2993	170	231	09.05-06.12	■	
330 d (N57 D30 A)		Diesel	RWD	2993	180	245	02.08-05.12	■	
330 d xDrive (N57 D30 A)		Diesel	4WD	2993	180	245	01.09-06.12	■	
335 d (M57 D30 (306D5))		Diesel	RWD	2993	210	286	09.06-06.12	■	
X1 (E84) 03.09-06.15							SUV (Compact SUV-J Segment)		
xDrive28i (N20 B20 A)		Gasolina	4WD	1997	180	245	03.11-06.15	■	
xDrive28i (N52 B30 A)		Gasolina	4WD	2996	190	258	09.09-08.11	■	
xDrive28i (N52 B30 A)	discØ 348	Gasolina	4WD	2996	194	264	03.10-06.11	■	
Z4 II (E89) 02.09-08.16							Convertible (Sports car-S Segment)		
sDrive 35 i (N54 B30 A)		Gasolina	RWD	2979	224	305	02.09-08.16	■	
sDrive 35 i (N54 B30 A)		Gasolina	RWD	2979	225	306	02.09-08.16	■	
sDrive 35 is (N54 B30 A)		Gasolina	RWD	2979	250	340	03.10-08.16	■	