

LISTA DE APLICACIONES - BUYERS GUIDE

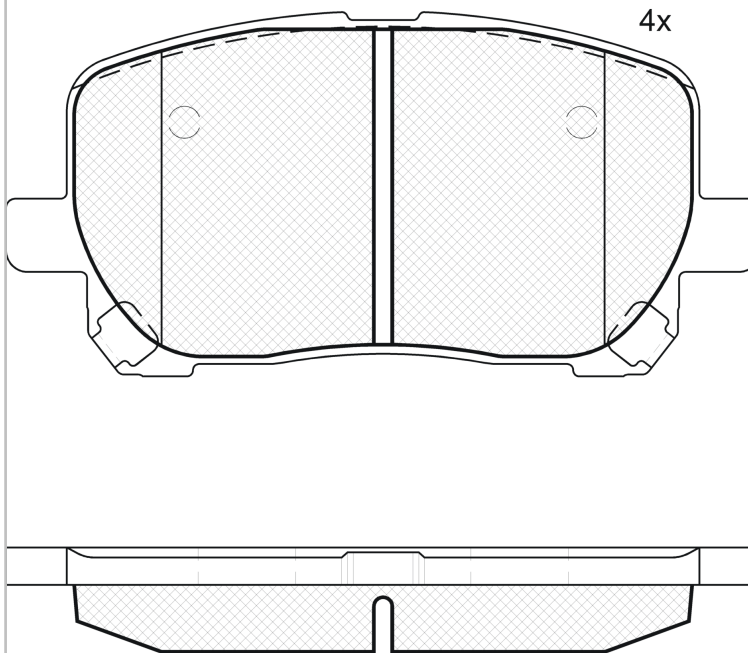
181820



Qty: 300

Weight: 1.484

O.E.M.	MAKE
04465-02070	TOYOTA
04465-02080	TOYOTA
04465-44050	TOYOTA
04465-44060	TOYOTA
04465-44080	TOYOTA
04465-44090	TOYOTA
04465-44100	TOYOTA
04465-YZZCT	TOYOTA
8897 2092	PONTIAC
8897 2096	PONTIAC



181820

E 9 90R-01111/2133



Akebono

123.05x59.55x17

WVA	FMSI
23836	D923-7824
23862	
MAKE	
GREAT WALL	
PONTIAC	
TOYOTA	



Trac.	CC	Kw	CV
-------	----	----	----



Front / Rear

GREAT WALL

TENGYI V80 09.10-						MPV (Large MPV-M1 Segment)			
2.0		Gasolina	FWD	1997	98	133	09.10-		■
2.0		Gasolina	FWD	1997	105	143	09.10-12.14		■
2.4		Gasolina	FWD	2398	120	163	09.10-		■

PONTIAC

VIBE 09.02-12.08						Estate (Compact car-C Segment)			
1.8 AWD	01/05-	Gasolina	4WD	1794	88	120	09.02-12.06		■
1.8	01/05-	Gasolina	FWD	1794	97	132	09.02-12.08		■
1.8 AWD (1ZZ-FE)		Gasolina	4WD	1794	97	132	09.02-12.06		■
1.8	01/05-	Gasolina	FWD	1795	134	182	09.02-12.06		■

VIBE II 09.08-12.10						Estate (Compact car-C Segment)			
1.8		Gasolina	FWD	1798	98	133	09.08-12.10		■

TOYOTA

AVENSIS II VERSO / IPSUM / PICNIC / VERSO SPORTVAN (_M2_) 05.01-12.11						MPV (Large MPV-M1 Segment)			
2.0 VVT-i (ACM20_, ACM20R) (1AZ-FE)		Gasolina	FWD	1998	110	150	08.01-11.09		■
2.4 VVT-i (ACM21) (2AZ-FE)		Gasolina	FWD	2362	115	156	08.01-08.07		■
2.4 VVT-i 4WD (ACM26_, ACM26W) (2AZ-FE)		Gasolina	4WD	2362	115	156	11.03-08.06		■
2.4 VVT-i (ACM21_, ACM21R) (2AZ-FE)		Gasolina	FWD	2362	118	160	05.01-12.11		■
2.4 VVT-i 4WD (ACM26_, ACM26W) (2AZ-FE)		Gasolina	4WD	2362	118	160	05.01-12.10		■
2.0 D (CLM20_, CLM20R) (1CD-FTV)		Diesel	FWD	1995	85	116	08.01-08.05		■

COROLLA IX / ALTIS / AXIO-ALTIS (_E12_) 08.00-12.08						Saloon (Compact executive car-D Segment)			
1.8 (ZZE131) (2ZZ-GE)		Gasolina	FWD	1795	127	173	09.04-12.06		■

LISTA DE APLICACIONES - BUYERS GUIDE

					Hatchback (Supermini car-B Segment)			
COROLLA V Compact (E8B) 08.84-05.88							08.84-	■
1.8 16V ABS	01/03-	Gasolina	FWD	1795			08.84-	■
1.8 XRS 16V ABS	01/03-	Gasolina	FWD	1795			08.84-	■
COROLLA X / ALTIS (_E15_) 10.06-					Saloon (Compact executive car-D Segment)			
1.8 VVTi (ZRE142) (2ZR-FE)		Gasolina	FWD	1798	97	132	01.08-07.14	■
MATRIX / VOLTZ (_E13_) 01.02-12.07					Hatchback (Large MPV-M1 Segment)			
1.8 (ZZE13_) (1ZZ-FE)		Gasolina	FWD	1794	91	124	01.02-12.07	■
1.8 4WD (ZZE138) (1ZZ-FE)		Gasolina	4WD	1794	91	124	01.02-02.04	■
1.8 (1ZZ-FE)		Gasolina	FWD	1794	94	128	09.05-12.07	■
1.8 4WD (1ZZ-FE)		Gasolina	4WD	1794	94	128	09.05-12.07	■
1.8 16V 4WD	01/03-	Gasolina	FWD	1795			01.02-	■
1.8 XR 16V	01/03-	Gasolina	FWD	1795			01.02-	■
1.8 XRS 16V ABS	01/03-	Gasolina	FWD	1795			01.02-	■
1.8 (ZZE133_)		Gasolina	FWD	1795	130	177	09.02-12.06	■
1.8 (ZZE133_) (2ZZ-GE)		Gasolina	FWD	1796	122	166	01.03-12.06	■
1.8 (2ZZ-GE)		Gasolina	FWD	1796	134	182	01.02-12.05	■
1.8 (ZZE137) (2ZZ-GE)		Gasolina	FWD	1796	140	190	05.02-01.04	■
NOAH-VOXY (_R6_) 11.01-06.07					MPV (Compact MPV-M1 Segment)			
2.0 (AZR60G) (1AZ-FSE)		Gasolina	FWD	1998	112	152	11.01-06.07	■
2.0 4WD (AZR65) (1AZ-FSE)		Gasolina	4WD	1998	112	152	12.01-06.07	■
2.0 (AZR60G) (1AZ-FSE)		Gasolina	FWD	1998	114	155	01.04-06.07	■
2.0 4WD (AZR65G) (1AZ-FSE)		Gasolina	4WD	1998	114	155	01.04-06.07	■
VOLTZ (_E13_) 06.01-11.04					Hatchback (Compact car-C Segment)			
1.8 (ZZE136) (1ZZ-FE)	01/05-	Gasolina	FWD	1794	97	132	09.01-11.04	■