

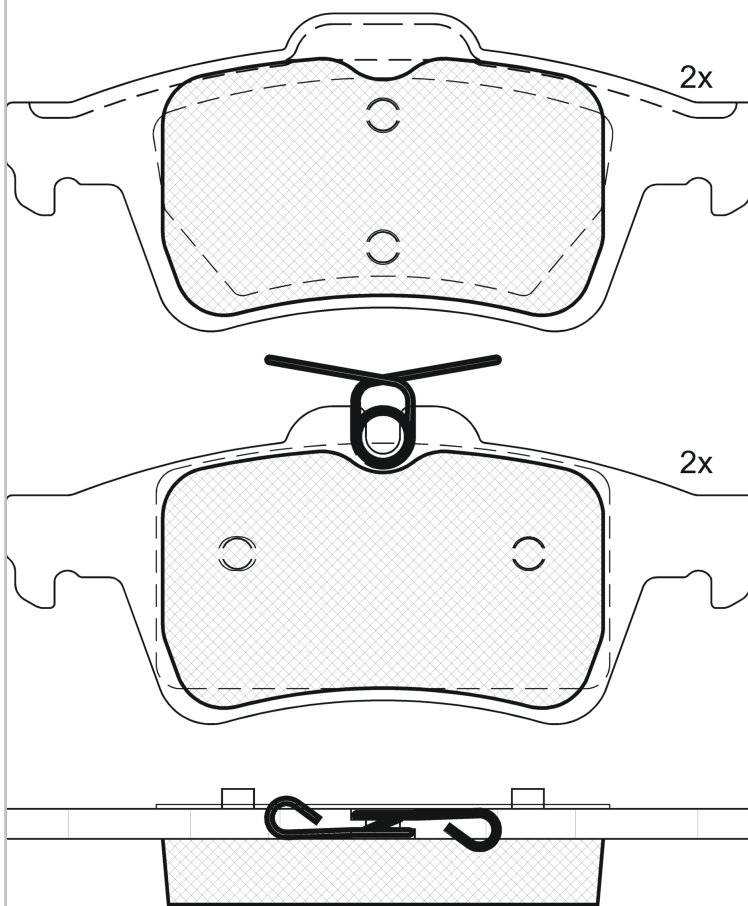
LISTA DE APLICACIONES - BUYERS GUIDE

181825



Qty: 300 Weight: 990

O.E.M.	MAKE
93 16 694 2	SAAB
C2Y3-23-48ZA	MAZDA
C2Y3-26-48ZA9A-O	MAZDA
C2Y3-26-48ZA-OE	MAZDA



181825



E 9 90R-01111/400

Akebono

123.04x51.87x16.4

FMSI

D973-8248

D1095-8248

MAKE

MAZDA

SAAB



Trac.	CC	Kw	CV
-------	----	----	----



Front / Rear

MAZDA

3 II / AXELA (BL) 12.08-09.14	Hatchback (Compact car-C Segment)						
1.6 MZR (BL14) (Z668)	Gasolina	FWD	1598	77	105	12.08-09.14	■
1.6 MZR (BL14) (Z682)	Gasolina	FWD	1598	77	105	12.08-09.14	■
1.6 MZR (BL14) (Z683)	Gasolina	FWD	1598	77	105	12.08-09.14	■
1.6 MZR (Z6)	Gasolina	FWD	1598	79	107	01.10-12.13	■
2.0 (BLFFW, BL107, BLFFP)	Gasolina	FWD	1998	113	154	09.11-10.13	■
2.0 MZR (BLEFW, BL10F) (LF5H)	Gasolina	FWD	1999	108	147	04.09-09.14	■
2.0 MZR (BLEFW, BL10F) (LF5W)	Gasolina	FWD	1999	108	147	04.09-09.14	■
2.0 MZR (BLEFW) (LF5H)	Gasolina	FWD	1999	110	150	01.09-09.14	■
2.0 MZR (BLEFW) (LF5W)	Gasolina	FWD	1999	110	150	01.09-09.14	■
2.0 MZR DISI (BLEFW) (LFZ2)	Gasolina	FWD	1999	111	151	12.08-05.13	■
2.3 MPS Turbo (BL14) (L3Y7)	Gasolina	FWD	2261	191	260	12.08-09.14	■
2.3 MPS Turbo	Gasolina	FWD	2261	196	267	06.09-	■
2.5 (BL10) (L5-VE)	Gasolina	FWD	2488	122	166	03.09-09.14	■
2.5	Gasolina	FWD	2488	125	170	01.12-12.13	■
1.6 MZ-CD (BL14) (Y642)	Diesel	FWD	1560	80	109	12.08-05.13	■
1.6 MZR CD (BL14) (Y650)	Diesel	FWD	1560	85	116	09.10-05.13	■
1.6 MZR CD (BL14) (Y655)	Diesel	FWD	1560	85	116	09.10-05.13	■
2.2 MZR CD (BL10) (R2AA)	Diesel	FWD	2184	110	150	01.09-10.13	■
2.2 MZR CD (BL10) (R2AA)	Diesel	FWD	2184	136	185	01.09-05.13	■
3 II / AXELA (BL) 12.08-	Saloon (Compact car-C Segment)						
1.6 MZR (BL12) (Z668)	Gasolina	FWD	1598	77	105	12.08-09.14	■
1.6 MZR (BL12) (Z682)	Gasolina	FWD	1598	77	105	12.08-09.14	■

LISTA DE APLICACIONES - BUYERS GUIDE

1.6 MZR (BL12) (Z683)		Gasolina	FWD	1598	77	105	12.08-09.14	■	
2.0 (BLFFP) (PEY2)		Gasolina	FWD	1998	113	154	09.11-09.14	■	
2.0 MZR		Gasolina	FWD	1999	108	147	06.10-	■	
2.0 MZR (BL12, BLEFP) (LF5H)		Gasolina	FWD	1999	110	150	03.09-09.14	■	
2.0 MZR (BL12, BLEFP) (LF5W)		Gasolina	FWD	1999	110	150	03.09-09.14	■	
2.0 MZR DISI (BL12) (LFZ2)		Gasolina	FWD	1999	111	151	02.09-05.13	■	
2.5		Gasolina	FWD	2488	122	166	05.09-09.14	■	
2.5		Gasolina	FWD	2488	125	170	01.10-	■	
1.6 MZR CD (BL12) (Y642)		Diesel	FWD	1560	80	109	12.08-05.13	■	
1.6 MZR CD (BL14) (Y650)		Diesel	FWD	1560	85	116	09.10-05.13	■	
1.6 MZR CD (BL14) (Y655)		Diesel	FWD	1560	85	116	09.10-05.13	■	
2.2 MZR CD (BL10) (R2AA)		Diesel	FWD	2184	110	150	01.09-09.14	■	
2.2 MZR CD (BL10) (R2AA)		Diesel	FWD	2184	136	185	06.09-05.13	■	
3 III / AXELA (BM_, BN_) 09.13-							Saloon (Compact car-C Segment)		
2.0		Gasolina	FWD	1998	116	158	01.14-05.19	■	
5 II / PREMACY (CR) 02.05-12.10							MPV (Compact MPV-M1 Segment)		
1.8 (CR19) (L823)	01/06-	Gasolina	FWD	1798	85	116	02.05-05.10	■	
2.0 (CREW, CR19) (LFF7)	01/06-	Gasolina	FWD	1999	107	146	02.05-05.10	■	
2.3 (CR3W)	01/06-	Gasolina	FWD	2261	122	166	02.05-09.08	■	
2.0 CD (CR19) (RF7J)	01/06-	Diesel	FWD	1998	81	110	02.05-05.10	■	
2.0 CD (CR19) (RF7J)	01/06-	Diesel	FWD	1998	105	143	02.05-05.10	■	
5 III / PREMACY (CW) 06.10-							MPV (Compact MPV-M1 Segment)		
1.8 MZR (L850)		Gasolina	FWD	1798	85	116	09.10-	■	
2.0 (CWEFW) (LF-ZB)		Gasolina	FWD	1999	106	144	06.10-	■	
2.0 (CWEFW) (LF-ZB)		Gasolina	FWD	1999	110	150	09.10-	■	
2.5		Gasolina	FWD	2498	117	159	01.12-	■	
1.6 CD (Y650)		Diesel	FWD	1560	85	116	07.10-	■	
1.6 CD (Y655)		Diesel	FWD	1560	85	116	07.10-	■	
1.6 CD (Y6Y1)		Diesel	FWD	1560	85	116	07.10-	■	
PREMACY (CP) 01.99-03.05							MPV (Compact MPV-M1 Segment)		
2.0		Gasolina	FWD	1999	107	145	02.05-03.05	■	
2.3 SVT		Gasolina	FWD	2261	122	166	02.05-03.05	■	
SAAB									
9-3 II (U.S.A.) 09.05-12.11							Estate (Compact executive car-D Segment)		
All models	01/09-	Gasolina	FWD				09.05-	■	
All models	01/09-	Gasolina	FWD				09.05-	■	