

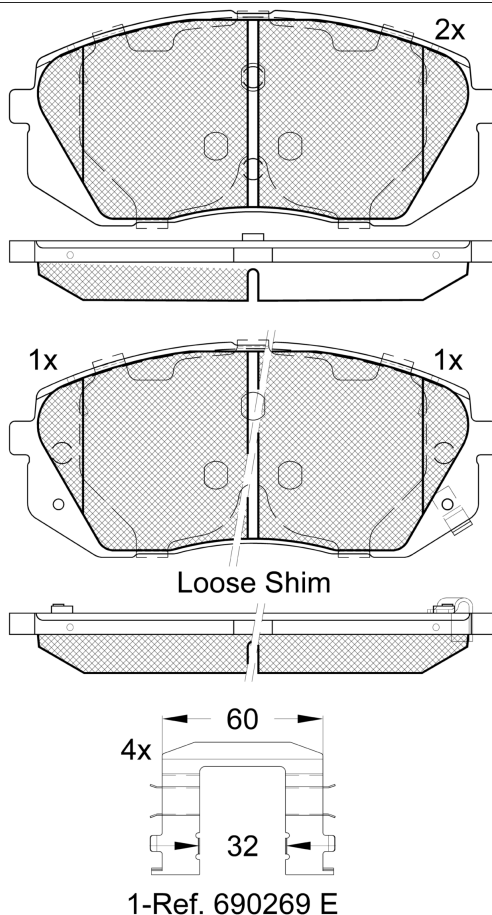
LISTA DE APLICACIONES - BUYERS GUIDE

181826-201



Qty: 300 Weight: 1.853

O.E.M.	MAKE
58101-2SA50	HYUNDAI
58101-2SA51	HYUNDAI
58101-2SA70	HYUNDAI
58101-2SA75	HYUNDAI
58101-2YA00	KIA
58101-2YA50	HYUNDAI
58101-3SA20	HYUNDAI
58101-3ZA10	HYUNDAI
58101-3ZA16	HYUNDAI
58101-3ZA70	HYUNDAI
58101-3ZA76	HYUNDAI
58101-4WA10	HYUNDAI
58101-B2A60	KIA
58101-B2A80	KIA
58101-B2A90	KIA
58101-BWA10	HYUNDAI
58101-C2A10	HYUNDAI
58101-C2A20	HYUNDAI
58101-D7A00	HYUNDAI
58101-E4A00	KIA
58101-E4A10	HYUNDAI
58101-E4A60	KIA
58101-N9A00	KIA
S58101-2SA70	KIA



181826-201

E 9 90R-01111/3279



Kasco

137.8x60.9x17.3

WVA	FMSI
24501	D1295-8614
25205	D1295-9050
25206	D1803-9035
	D1826-9035

MAKE
HYUNDAI
HYUNDAI (BEIJING)
KIA
KIA (DYK)
TOYOTA



Trac.	CC	Kw	CV
-------	----	----	----



Front / Rear

HYUNDAI

CRETA II / ix25 II / CANTUS II (SU2_) 03.20-					SUV (Compact Crossover CUV-C Segment)			
1.6 MPi 4WD (SU2R)		Gasolina	4WD	1591	89	121	09.21-	■
1.6 MPi (SU2R)		Gasolina	FWD	1591	90	122	09.21-	■
2.0 MPi (SU2R)		Gasolina	FWD	1999	110	150	09.21-	■
2.0 MPi 4WD (SU2R)		Gasolina	4WD	1999	110	150	09.21-	■
i40 (VF) 07.11-					Estate Van (Large family car-D Segment)			
1.7 CRDi (D4FD)	Rim 16, Rim 17, Rim 18	Diesel	FWD	1685	85	116	05.15-05.19	■
i40 (VF) 03.12-					Saloon (Large family car-D Segment)			
1.6 GDI (G4FD)	Rim 16, Rim 17, Rim 18	Gasolina	FWD	1591	99	135	03.12-05.19	■
2.0 CVVT (G4NA)	Rim 16, Rim 17, Rim 18	Gasolina	FWD	1999	110	150	10.12-05.19	■
2.0 CVVT (G4NA)		Gasolina	FWD	1999	121	165	03.12-05.19	■
2.0 GDI (G4NC)	Rim 16, Rim 17, Rim 18	Gasolina	FWD	1999	121	165	12.14-05.19	■
2.0 GDI	Rim 16, Rim 17, Rim 18	Gasolina	FWD	1999	122	166	03.12-05.19	■
2.0		Gasolina	FWD	1999	123	167	03.12-05.19	■
2.0 CVVT (G4NA)		Gasolina	FWD	1999	130	177	03.12-05.19	■
2.0 GDI (G4NC)		Gasolina	FWD	1999	130	177	03.12-05.19	■
2.0 GDI (G4NC)	Rim 16, Rim 17, Rim 18	Gasolina	FWD	1999	131	178	03.12-05.19	■
1.6 CRDi (D4FE)		Diesel	FWD	1598	85	116	07.18-05.19	■
1.6 CRDi (D4FE)		Diesel	FWD	1598	100	136	07.18-05.19	■
1.7 CRDi (D4FD)	Rim 16, Rim 17, Rim 18	Diesel	FWD	1685	85	116	03.12-05.19	■
1.7 CRDi (D4FD)	Rim 16, Rim 17, Rim 18	Diesel	FWD	1685	100	136	03.12-05.19	■
1.7 CRDi (D4FD)	Rim 16, Rim 17, Rim 18	Diesel	FWD	1685	103	140	10.12-05.19	■
1.7 CRDi (D4FD)	Rim 16, Rim 17, Rim 18	Diesel	FWD	1685	104	141	01.15-05.19	■

LISTA DE APLICACIONES - BUYERS GUIDE

i40 I CW (VF) 07.11-						Estate (Large family car-D Segment)			
1.6 GDI (G4FD)	Rim 16, Rim 17, Rim 18	Gasolina	FWD	1591	99	135	07.11-05.19	■	
2.0 CVVT (G4NA)	Rim 16, Rim 17, Rim 18	Gasolina	FWD	1999	110	150	10.12-05.19	■	
2.0 CVVT (G4NA)	Rim 16, Rim 17, Rim 18	Gasolina	FWD	1999	112	152	07.18-05.19	■	
2.0 CVVT (G4NA)		Gasolina	FWD	1999	121	165	06.12-05.19	■	
2.0 GDI (G4NC)	Rim 16, Rim 17, Rim 18	Gasolina	FWD	1999	121	165	12.14-05.19	■	
2.0		Gasolina	FWD	1999	122	166	03.12-05.19	■	
2.0 CVVT (G4NA)		Gasolina	FWD	1999	130	177	07.11-05.19	■	
2.0 GDI (G4NC)	Rim 16, Rim 17, Rim 18	Gasolina	FWD	1999	130	177	07.11-05.19	■	
1.6 CRDI (D4FE)		Diesel	FWD	1598	85	116	07.18-05.19	■	
1.6 CRDI (D4FE)		Diesel	FWD	1598	100	136	07.18-05.19	■	
1.7 CRDi (D4FD)	Rim 16, Rim 17, Rim 18	Diesel	FWD	1685	85	116	07.11-05.19	■	
1.7 CRDi (D4FD)	Rim 16, Rim 17, Rim 18	Diesel	FWD	1685	100	136	07.11-05.19	■	
1.7 CRDi (D4FD)	Rim 16, Rim 17, Rim 18	Diesel	FWD	1685	103	140	03.12-05.19	■	
1.7 CRDi (D4FD)	Rim 16, Rim 17, Rim 18	Diesel	FWD	1685	104	141	01.15-05.19	■	
ix35 / TUCSON II 08.09-12.15						SUV Van (Compact SUV-J Segment)			
GDI		Gasolina	FWD	1591	99	135	05.15-12.15	■	
CRDi		Diesel	FWD	1685	85	116	09.10-12.15	■	
CRDi		Diesel	FWD	1995	100	136	08.09-12.15	■	
CRDi 4WD		Diesel	4WD	1995	100	136	08.09-12.15	■	
ix35 / TUCSON II (LM, EL, ELH) 08.09-						SUV (Compact SUV-J Segment)			
FCEV		Hidrógeno	FWD		53	72	10.12-	■	
Fuel Cell		Hidrógeno	FWD		100	136	09.14-12.15	■	
1.6 (G4FD)		Gasolina	FWD	1591	99	135	11.10-12.15	■	
2.0 CVVT (G4KD)		Gasolina	FWD	1998	110	150	08.09-07.13	■	
2.0 CVVT AWD (G4KD)		Gasolina	4WD	1998	110	150	08.09-07.13	■	
2.0 (G4KD)		Gasolina	FWD	1998	120	163	01.10-07.13	■	
2.0 4WD (G4KD)		Gasolina	4WD	1998	120	163	01.10-12.15	■	
2.0 (G4KD)		Gasolina	FWD	1998	122	166	01.10-12.15	■	
2.0 CVVT (G4NA)		Gasolina	FWD	1999	110	150	08.13-12.15	■	
2.0 CVVT 4WD (G4NA)		Gasolina	4WD	1999	110	150	08.13-12.15	■	
2.0		Gasolina	FWD	1999	112	152	09.14-	■	
2.0 (G4NA)		Gasolina	FWD	1999	113	154	08.13-12.15	■	
2.0 4WD (G4NA)		Gasolina	4WD	1999	113	154	09.14-12.15	■	
2.0 (G4NA)		Gasolina	FWD	1999	114	155	11.13-12.15	■	
2.0 AWD (G4NA)		Gasolina	4WD	1999	114	155	11.13-12.15	■	
2.0		Gasolina	FWD	1999	116	158	09.14-06.15	■	
2.0 4WD (G4NA)		Gasolina	4WD	1999	116	158	09.14-06.15	■	
2.0 CVVT 4WD (G4KD)	Rep.Checa	Gasolina	4WD	1999	122	166	08.09-12.15	■	
2.0 GDI (G4NC)		Gasolina	FWD	1999	122	166	08.13-12.15	■	
2.0 GDI 4WD (G4NC)		Gasolina	4WD	1999	122	166	08.13-12.15	■	
2.4 CVVT 4WD (G4KE)		Gasolina	4WD	2359	125	170	12.14-06.15	■	
2.4 DCVVT-I 4WD (G4KE)		Gasolina	4WD	2359	128	174	07.10-12.13	■	
2.4 4WD (G4KE)		Gasolina	4WD	2359	129	175	09.12-12.13	■	
2.4 4WD (G4KE)		Gasolina	4WD	2359	130	177	01.10-12.15	■	
2.4 GDI 4WD		Gasolina	4WD	2359	136	185	01.13-12.15	■	
2.0 Flex		Gasol./Etanol	FWD	1999	131	178	05.12-08.15	■	
1.7 CRDi (D4FD)		Diesel	FWD	1685	85	116	11.10-12.15	■	
2.0 CRDi (D4HA)		Diesel	FWD	1995	100	136	01.10-12.15	■	

LISTA DE APLICACIONES - BUYERS GUIDE

2.0 CRDi 4WD (D4HA)		Diesel	4WD	1995	100	136	01.10-12.15	■	
2.0 CRDi (D4HA)		Diesel	FWD	1995	130	177	01.12-12.15	■	
2.0 CRDi 4WD (D4HA)		Diesel	4WD	1995	130	177	01.11-12.15	■	
2.0 CRDi (D4HA)		Diesel	FWD	1995	132	179	01.10-06.15	■	
2.0 CRDi 4WD (D4HA)		Diesel	4WD	1995	132	179	01.10-06.15	■	
2.0 CRDi (D4HA)		Diesel	FWD	1995	135	184	08.09-12.15	■	
2.0 CRDi 4WD (D4HA)		Diesel	4WD	1995	135	184	01.10-12.15	■	
SONATA VI / i45 VI (YF) 06.09-12.15					Saloon (Executive car-E Segment)				
2.0 (G4KD)		Gasolina	FWD	1998	110	150	06.09-06.14	■	
2.0 i (G4KD)		Gasolina	FWD	1998	121	165	01.11-06.14	■	
2.4 Hybrid	01/16-	Gasol./el éc.	FWD	2359	149	203	09.10-	■	
TUCSON III (TLE) 05.15-					SUV Van (Compact SUV-J Segment)				
1.6 T-GDI (G4FJ)	Rep.Checa	Gasolina	FWD	1591	130	177	06.15-12.20	■	
TUCSON III (TL, TLE) 05.15-					SUV (Compact SUV-J Segment)				
1.6 GDI (G4FD)		Gasolina	FWD	1591	96	130	06.15-09.20	■	
1.6 GDI (G4FD)		Gasolina	FWD	1591	97	132	06.15-09.20	■	
1.6 T-GDI (G4FJ)		Gasolina	FWD	1591	130	177	06.15-05.23	■	
1.6 T-GDI A las 4 ruedas		Gasolina	FWD	1591	130	177	06.15-	■	
1.6 T-GDI A las 4 ruedas (G4FJ)		Gasolina	4WD	1591	130	177	06.15-09.20	■	
1.6 T-GDI (G4FJ)		Gasolina	FWD	1591	131	178	06.15-09.20	■	
2.0 CVVT (G4NA)		Gasolina	FWD	1999	110	150	06.15-09.20	■	
2.0 CVVT A las 4 ruedas (G4NA)		Gasolina	4WD	1999	110	150	06.15-09.20	■	
2.0 (G4NA)		Gasolina	FWD	1999	114	155	06.15-09.20	■	
2.0		Gasolina	FWD	1999	115	156	06.15-09.20	■	
2.0 Alas 4 ruedas (G4NA)		Gasolina	4WD	1999	115	156	06.15-09.20	■	
2.0 GDI (G4NC)		Gasolina	FWD	1999	121	165	06.15-09.20	■	
2.0 GDi A las 4 ruedas (G4NC)		Gasolina	4WD	1999	121	165	06.15-09.20	■	
1.7 CRDi (D4FD)		Diesel	FWD	1685	85	116	06.15-09.20	■	
1.7 CRDi (D4FD)		Diesel	FWD	1685	104	141	06.15-09.20	■	
2.0 CRDi (D4HA)		Diesel	FWD	1995	100	136	06.15-09.20	■	
2.0 CRDi A las 4 ruedas (D4HA)		Diesel	4WD	1995	100	136	06.15-09.20	■	
2.0 CRDi (D4HA)		Diesel	FWD	1995	131	178	06.15-09.20	■	
2.0 CRDi A las 4 ruedas (D4HA)		Diesel	4WD	1995	131	178	06.15-09.20	■	
2.0 CRDi (D4HA)		Diesel	FWD	1995	136	185	06.15-09.20	■	
2.0 CRDi A las 4 ruedas (D4HA)		Diesel	4WD	1995	136	185	06.15-09.20	■	
2.0 CRDi A las 4 ruedas		Diesel	4WD	1995	136	185	06.15-	■	
HYUNDAI (BEIJING)									
ix35 (LM) 04.10-					SUV (Compact SUV-J Segment)				
2.0		Gasolina	FWD	1998	120	163	04.10-	■	
2.0		Gasolina	FWD	1998	120	163	04.10-	■	
2.0		Gasolina	FWD	1999	118	160	11.17-	■	
2.0 4WD		Gasolina	4WD	1999	118	160	11.17-	■	
2.0		Gasolina	FWD	1999	121	165	08.13-	■	
2.0 Alas 4 ruedas		Gasolina	FWD	1999	121	165	08.13-	■	
2.4 A las 4 ruedas (G4KE)		Gasolina	4WD	2359	125	170	04.12-	■	
2.4		Gasolina	FWD	2359	128	174	04.10-	■	
2.4		Gasolina	FWD	2359	128	174	04.10-	■	
TUCSON III (TL) 09.15-					SUV (Compact SUV-J Segment)				
1.6 TGD		Gasolina	FWD	1591	130	177	09.15-	■	

LISTA DE APLICACIONES - BUYERS GUIDE

1.6 TGD i A las 4 ruedas		Gasolina	4WD	1591	130	177	09.15-	■
2.0 GDI		Gasolina	FWD	1999	121	165	09.15-	■
KIA								
OPTIMA III / K5 (FSGDS6B) 01.10-					Saloon (Executive car-E Segment)			
2.0 CVVL (G4KD)	01/16-	Gasolina	FWD	1998	121	165	03.12-12.15	■
2.0 (G4KD)	01/16-	Gasolina	FWD	1998	125	170	03.12-12.15	■
2.0 (G4KH)	01/16-	Gasolina	FWD	1998	204	277	09.10-12.15	■
2.0 CVVT Hybrid (G4NE)	01/16-	Gasol./el éc.	FWD	1999	110	150	03.12-	■
2.0 CVVT Hybrid	01/16-	Gasol./el éc.	FWD	1999	140	190	12.12-12.15	■
OPTIMA V / K5 (DL3) 12.19-					Saloon (Executive car-E Segment)			
2.0 LPG		LPG	FWD	1999	107	145	12.19-	■
1.6 T-GDI		Gasolina	FWD	1598	132	179	12.19-	■
2.0		Gasolina	FWD	1999	118	160	12.19-	■
2.0 Hybrid		Gasol./el éc.	FWD	1999	143	194	12.19-	■
SOUL II (PS) 02.14-					Hatchback (Mini MPV-M1 Segment)			
1.6 CVVT (G4FG)	Rim 16	Gasolina	FWD	1591	91	124	02.14-12.18	■
1.6 CVVT	Rim 16	Gasolina	FWD	1591	95	129	07.16-12.18	■
1.6 GDI (G4FD)	Rim 16	Gasolina	FWD	1591	97	132	02.14-12.18	■
1.6 TGD i	Rim 17	Gasolina	FWD	1591	150	204	11.16-12.18	■
2.0 CVVT	Rim 16	Gasolina	FWD	1998	116	158	07.16-	■
2.0 CVVT (G4NA)		Gasolina	FWD	1999	110	150	08.16-12.18	■
2.0 CVVT (G4NA)	Rim 16	Gasolina	FWD	1999	113	154	02.14-12.18	■
1.6 LPG (G4FG)	Rim 16	Gasol./Gas (LPG)	FWD	1591	87	118	12.14-12.18	■
1.6 LPG (G4FG)		Gasol./Gas (LPG)	FWD	1591	96	131	12.14-12.18	■
1.6 CVVT Flex	Rim 16	Gasol./Etanol	FWD	1591	94	128	09.14-05.20	■
EV Electric	Rim 16	Eléctrico	FWD		25	33	09.14-11.18	■
EV Electric		Eléctrico	FWD		26	36	03.17-11.18	■
EV Electric	Rim 16	Eléctrico	FWD		81	110	09.14-11.18	■
1.6 CRDi 128 (D4FB)	Rim 16	Diesel	FWD	1582	94	126	02.14-12.18	■
1.6 CRDi 136 (D4FB)	Rim 16	Diesel	FWD	1582	100	136	04.15-12.18	■
SPORTAGE III (SL) 09.09-					SUV (Compact SUV-J Segment)			
1.6 GDI (G4FD)	01/12-	Gasolina	FWD	1591	99	135	06.10-12.15	■
2.0 CVVT (G4KD)	01/12-	Gasolina	FWD	1998	110	150	06.10-12.13	■
2.0 CVVT AWD (G4KD)		Gasolina	4WD	1998	110	150	06.10-12.13	■
2.0 CVVT		Gasolina	FWD	1998	116	158	11.14-	■
2.0 CVVT		Gasolina	FWD	1998	116	158	11.14-	■
2.0 CVVT (G4KD)	01/12-	Gasolina	FWD	1998	120	163	07.10-12.15	■
2.0 CVVT AWD (G4KD)		Gasolina	4WD	1998	120	163	07.10-12.15	■
2.0 CVVT (G4KD)	01/12-	Gasolina	FWD	1998	122	166	07.10-12.15	■
2.0 CVVT AWD (G4KD)		Gasolina	4WD	1998	122	166	07.10-12.15	■
2.0 GDI (G4NC)		Gasolina	FWD	1998	122	166	02.14-12.15	■
2.0 GDI AWD (G4NC)		Gasolina	4WD	1998	122	166	02.14-12.15	■
2.0 CVVT (G4NA)		Gasolina	FWD	1999	110	150	01.14-12.15	■
2.0 CVVT AWD (G4NA)		Gasolina	4WD	1999	110	150	01.14-12.15	■
2.0 CVVT		Gasolina	FWD	1999	113	154	11.14-12.15	■
2.0 CVVT AWD (G4NA)		Gasolina	4WD	1999	113	154	11.14-12.15	■
2.4 i AWD (G4KE)		Gasolina	4WD	2359	130	177	08.10-12.15	■

LISTA DE APLICACIONES - BUYERS GUIDE

1.6 LPG (G4FD)		Gasol./Gas (LPG)	FWD	1591	99	135	01.14-12.15	■	
2.0 CVVT Flex		Gasol./Etanol	FWD	1998	131	178	02.12-12.16	■	
2.0 CVVT Flex AWD		Gasol./Etanol	4WD	1998	131	178	01.12-12.16	■	
1.7 CRDi (D4FD)	01/12-	Diesel	FWD	1685	85	116	12.10-12.15	■	
2.0 CRDi (D4HA)	01/12-	Diesel	FWD	1995	100	136	07.10-12.15	■	
2.0 CRDi AWD (D4HA)		Diesel	4WD	1995	100	136	07.10-12.15	■	
2.0 CRDi (D4HA)		Diesel	FWD	1995	130	177	08.12-12.16	■	
2.0 CRDi AWD (D4HA)		Diesel	4WD	1995	130	177	08.12-12.16	■	
2.0 CRDi (D4HA)		Diesel	FWD	1995	135	184	08.10-12.15	■	
2.0 CRDi AWD (D4HA)	01/12-	Diesel	4WD	1995	135	184	08.10-12.15	■	
SPORTAGE IV (QL, QLE) 01.15-						SUV (Compact SUV-J Segment)			
1.6 GDI (G4FD)		Gasolina	FWD	1591	97	132	09.15-09.22	■	
1.6 T-GDI (G4FJ)		Gasolina	FWD	1591	130	177	09.15-09.22	■	
1.6 T-GDI AWD (G4FJ)		Gasolina	4WD	1591	130	177	09.15-09.22	■	
2.0 (G4NA)		Gasolina	FWD	1999	114	155	12.15-09.22	■	
2.0 AWD (G4NA)		Gasolina	4WD	1999	114	155	12.15-09.22	■	
2.0 (G4NA)		Gasolina	FWD	1999	115	157	12.15-09.22	■	
2.0 (G4NA)		Gasolina	FWD	1999	117	159	12.15-09.22	■	
2.0 Flex		Gasolina	FWD	1999	123	167	06.16-	■	
2.4 GDI AWD		Gasolina	4WD	2359	135	184	09.15-09.22	■	
2.0 Alcohol		Gasol./Etanol	FWD	1999	114	155	12.15-09.22	■	
1.7 CRDi (D4FD)		Diesel	FWD	1685	85	116	09.15-09.22	■	
1.7 CRDi (D4FD)		Diesel	FWD	1685	104	141	11.16-09.22	■	
2.0 CRDi (D4HA)		Diesel	FWD	1995	100	136	09.15-09.22	■	
2.0 CRDi AWD (D4HA)		Diesel	4WD	1995	100	136	09.15-09.22	■	
2.0 CRDi AWD		Diesel	4WD	1995	129	175	09.15-09.22	■	
2.0 CRDi AWD (D4HA)		Diesel	4WD	1995	131	178	09.15-09.22	■	
2.0 CRDi AWD (D4HA)		Diesel	4WD	1995	136	185	09.15-09.22	■	
SPORTAGE V (NQ5) 09.21-						SUV (Compact SUV-J Segment)			
1.6 T-GDI MHEV AWD	South Korea, Rim 16 Rim 17	Gasol./eléc.	4WD	1598	132	179	11.21-	■	
KIA (DYK)									
SPORTAGE III (NP) 04.18-						SUV (Compact SUV-J Segment)			
2.0 (G4NA)		Gasolina	FWD	1999	118	161	04.18-	■	
SPORTAGE III ACE (NP) 07.21-						SUV (Compact SUV-J Segment)			
2.0 (G4NJ)		Gasolina	FWD	1999	118	160	07.21-	■	
TOYOTA									
CAMRY (_V1_) 10.82-07.88						Saloon (Executive car-E Segment)			
1.8 Turbo-D (CV10_, CV10R) (1C-TL)		Diesel	FWD	1839	54	73	10.82-10.86	■	
1.8 Turbo-D (CV10_, CV10R) (1C-TLC)		Diesel	FWD	1839	54	73	10.82-10.86	■	