

LISTA DE APLICACIONES - BUYERS GUIDE

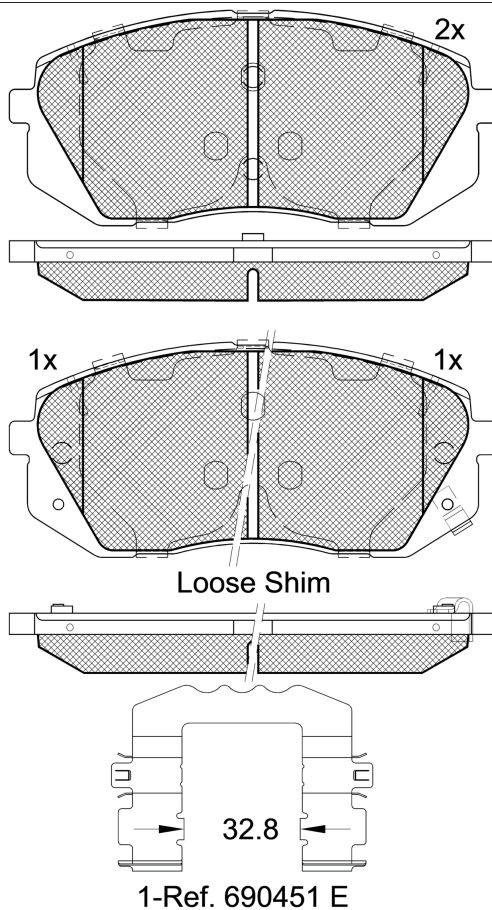
181826-202



Qty: 300

Weight: 1.945

O.E.M.	MAKE
58101-3ZA06	HYUNDAI
58101-A2A35	KIA
58101-A8A15	KIA
58101-B2A30	KIA
58101-C1A00	KIA
58101-CMA10	HYUNDAI
58101-D4A00	KIA
58101-D4A10	KIA
58101-D4A20	KIA
58101-D4A25	KIA
58101-D5A10	KIA
58101-D7A50	KIA
58101-D7A60	KIA
58101-D7A70	KIA
58101-E4A50	KIA
58101-E6A10	HYUNDAI
58101-G3A10	HYUNDAI
58101-J3A10	HYUNDAI
58101-J7A30	KIA
58101-J9A10	HYUNDAI
58101-J9A60	HYUNDAI
58101-J9A65	KIA
58101-J9A70	HYUNDAI
58101-J9A78	HYUNDAI
58101-K4A10	HYUNDAI



181826-202

E 9 90R-02A0111/3128



Kasco

137.8x60.9x17.3

WVA	FMSI
24501	D1826-9035
25205	D1855-8614
25206	D1855-9035

MAKE

HYUNDAI
HYUNDAI (BEIJING)
KIA



Trac.	CC	Kw	CV
-------	----	----	----



Front / Rear

HYUNDAI

ELANTRA VI / AVANTE (AD, ADA) 09.15-

Saloon (Compact car-C Segment)

1.6 SR Turbo (G4FJ)	01/20-, USA	Gasolina	FWD	1591	150	204	02.16-12.20	■
---------------------	-------------	----------	-----	------	-----	-----	-------------	---

i40 (VF) 03.12-

Saloon (Large family car-D Segment)

1.6 GDI (G4FD)	Rim 16, Rim 17	Gasolina	FWD	1591	99	135	03.12-05.19	■
2.0 CVVT (G4NA)	Rim 16, Rim 17	Gasolina	FWD	1999	110	150	10.12-05.19	■
2.0 CVVT (G4NA)	Rim 16, Rim 17	Gasolina	FWD	1999	121	165	03.12-05.19	■
2.0 GDI (G4NC)	Rim 16, Rim 17	Gasolina	FWD	1999	121	165	12.14-05.19	■
2.0 CVVT (G4NA)	Rim 16, Rim 17	Gasolina	FWD	1999	130	177	03.12-05.19	■
2.0 GDI (G4NC)	Rim 16, Rim 17	Gasolina	FWD	1999	130	177	03.12-05.19	■
2.0 GDI (G4NC)	Rim 16, Rim 17	Gasolina	FWD	1999	131	178	03.12-05.19	■
1.6 CRDI (D4FE)	Rim 16, Rim 17	Diesel	FWD	1598	85	116	07.18-05.19	■
1.6 CRDI (D4FE)	Rim 16, Rim 17	Diesel	FWD	1598	100	136	07.18-05.19	■
1.7 CRDi (D4FD)	Rim 16, Rim 17	Diesel	FWD	1685	85	116	03.12-05.19	■
1.7 CRDi (D4FD)	Rim 16, Rim 17	Diesel	FWD	1685	100	136	03.12-05.19	■
1.7 CRDi (D4FD)	Rim 16, Rim 17	Diesel	FWD	1685	104	141	01.15-05.19	■

i40 I CW (VF) 07.11-

Estate (Large family car-D Segment)

1.6 GDI (G4FD)	Rim 16, Rim 17	Gasolina	FWD	1591	99	135	07.11-05.19	■
2.0 CVVT (G4NA)	Rim 16, Rim 17	Gasolina	FWD	1999	110	150	10.12-05.19	■
2.0 CVVT (G4NA)	Rim 16, Rim 17	Gasolina	FWD	1999	121	165	06.12-05.19	■
2.0 GDI (G4NC)	Rim 16, Rim 17	Gasolina	FWD	1999	121	165	12.14-05.19	■
2.0 CVVT (G4NA)	Rim 16, Rim 17	Gasolina	FWD	1999	130	177	07.11-05.19	■
2.0 GDI (G4NC)	Rim 16, Rim 17	Gasolina	FWD	1999	130	177	07.11-05.19	■
1.6 CRDI (D4FE)	Rim 16, Rim 17	Diesel	FWD	1598	85	116	07.18-05.19	■

LISTA DE APLICACIONES - BUYERS GUIDE

1.6 CRDI (D4FE)	Rim 16, Rim 17	Diesel	FWD	1598	100	136	07.18-05.19	■	
1.7 CRDi (D4FD)	Rim 16, Rim 17	Diesel	FWD	1685	85	116	07.11-05.19	■	
1.7 CRDi (D4FD)	Rim 16, Rim 17	Diesel	FWD	1685	100	136	07.11-05.19	■	
1.7 CRDi (D4FD)	Rim 16, Rim 17	Diesel	FWD	1685	104	141	01.15-05.19	■	
ix35 / TUCSON II 08.09-12.15					SUV Van (Compact SUV-J Segment)				
GDI		Gasolina	FWD	1591	99	135	05.15-12.15	■	
CRDi		Diesel	FWD	1685	85	116	09.10-12.15	■	
CRDi		Diesel	FWD	1995	100	136	08.09-12.15	■	
CRDi 4WD		Diesel	4WD	1995	100	136	08.09-12.15	■	
ix35 / TUCSON II (LM, EL, ELH) 08.09-					SUV (Compact SUV-J Segment)				
Fuel Cell		Hidrógeno	FWD		100	136	09.14-12.15	■	
1.6 (G4FD)		Gasolina	FWD	1591	99	135	11.10-12.15	■	
2.0 CVVT (G4KD)		Gasolina	FWD	1998	110	150	08.09-07.13	■	
2.0 CVVT AWD (G4KD)		Gasolina	4WD	1998	110	150	08.09-07.13	■	
2.0 (G4KD)		Gasolina	FWD	1998	120	163	01.10-07.13	■	
2.0 4WD (G4KD)		Gasolina	4WD	1998	120	163	01.10-12.15	■	
2.0 (G4KD)		Gasolina	FWD	1998	122	166	01.10-12.15	■	
2.0 CVVT 4WD (G4NA)		Gasolina	4WD	1999	110	150	08.13-12.15	■	
2.0 (G4NA)		Gasolina	FWD	1999	113	154	08.13-12.15	■	
2.0 4WD (G4NA)		Gasolina	4WD	1999	113	154	09.14-12.15	■	
2.0 (G4NA)		Gasolina	FWD	1999	114	155	11.13-12.15	■	
2.0 AWD (G4NA)		Gasolina	4WD	1999	114	155	11.13-12.15	■	
2.0 4WD (G4NA)		Gasolina	4WD	1999	116	158	09.14-06.15	■	
2.0 GDI (G4NC)		Gasolina	FWD	1999	122	166	08.13-12.15	■	
2.0 GDi 4WD (G4NC)		Gasolina	4WD	1999	122	166	08.13-12.15	■	
2.4 DCVVT-I 4WD (G4KE)		Gasolina	4WD	2359	128	174	07.10-12.13	■	
1.7 CRDi (D4FD)		Diesel	FWD	1685	85	116	11.10-12.15	■	
2.0 CRDi (D4HA)		Diesel	FWD	1995	100	136	01.10-12.15	■	
2.0 CRDi 4WD (D4HA)		Diesel	4WD	1995	100	136	01.10-12.15	■	
2.0 CRDi (D4HA)		Diesel	FWD	1995	135	184	08.09-12.15	■	
2.0 CRDi 4WD (D4HA)		Diesel	4WD	1995	135	184	01.10-12.15	■	
KONA (OS, OSE, OSI) 06.17-					SUV Van (Subcompact SUV-B Segment)				
1.0 T-GDI (G3LC)	Rim 16	Gasolina	FWD	998	88	120	07.17-	■	
1.6 GDI Hybrid (G4LE)		Gasol./el éc.	FWD	1580	77	105	06.19-	■	
1.6 GDI Hybrid (G4LE)	Rim 16, Rim 17	Gasol./el éc.	FWD	1580	104	141	06.19-	■	
EV (EM16)		Eléctrico	FWD		150	204	04.18-	■	
KONA (OS, OSE, OSI) 06.17-					SUV (Subcompact SUV-B Segment)				
1.0 T-GDI (G3LC)	Rim 16	Gasolina	FWD	998	88	120	07.17-04.23	■	
1.6 T-GDI (G4FJ)	Rim 16, Rim 17	Gasolina	FWD	1591	130	177	07.17-12.20	■	
1.6 T-GDi 4WD (G4FJ)	Rim 16, Rim 17	Gasolina	4WD	1591	130	177	06.17-03.23	■	
1.6 T-GDI	Rim 16, Rim 17	Gasolina	FWD	1598	146	199	11.20-04.23	■	
1.6 T-GDi 4WD	Rim 16, Rim 17	Gasolina	4WD	1598	146	199	11.20-04.23	■	
1.0 T-GDI hybrid 48V	Rim 16	Gasol./el éc.	FWD	998	88	120	11.20-04.23	■	
1.6 GDI Hybrid (G4LE)		Gasol./el éc.	FWD	1580	77	105	06.19-	■	
1.6 GDI Hybrid (G4LE)		Gasol./el éc.	FWD	1580	104	141	09.19-04.23	■	
EV (EM)		Eléctrico	FWD		100	136	04.18-04.23	■	
EV (EM16)		Eléctrico	FWD		150	204	04.18-03.23	■	

LISTA DE APLICACIONES - BUYERS GUIDE

1.6 CRDi hybrid 48V	Rim 16, Rim 17	Diesel/el éc.	FWD	1598	100	136	11.20-08.21	■
1.6 CRDi Hybrid 48V 4WD	Rim 16, Rim 17	Diesel/el éc.	4WD	1598	100	136	11.20-08.21	■
1.6 CRDI	Rim 16	Diesel	FWD	1582	85	116	07.17-	■
1.6 CRDi e-VGT (D4FB)	Rim 16	Diesel	FWD	1582	100	136	07.17-	■
1.6 CRDi e-VGT AWD (D4FB)	Rim 16	Diesel	4WD	1582	100	136	07.17-	■
1.6 CRDI (D4FE)	Rim 16, Rim 17	Diesel	FWD	1598	85	116	08.18-11.20	■
1.6 CRDi e-VGT (D4FE)	Rim 16, Rim 17	Diesel	FWD	1598	100	136	08.18-08.21	■
1.6 CRDi e-VGT AWD (D4FE)	Rim 16, Rim 17	Diesel	4WD	1598	100	136	08.18-08.21	■
SONATA V / EMBERA V (NF) 08.04-11.14				Saloon (Executive car-E Segment)				
2.0 VVTi GLS (G4KD)		Gasolina	FWD	1998	121	165	01.08-12.10	■
SONATA VI / i45 VI (YF) 06.09-12.15				Saloon (Executive car-E Segment)				
2.4 (G4KC)		Gasolina	FWD	2359	128	174	06.09-11.10	■
2.0 Hybrid (G4NA)		Gasol./el éc.	FWD	1999	110	150	01.11-06.14	■
SONATA VII (LF) 03.14-06.23				Saloon (Executive car-E Segment)				
1.6 (G4FJ)		Gasolina	FWD	1591	132	180	01.15-	■
1.6 (G4FJ)		Gasolina	FWD	1591	133	181	09.14-12.19	■
2.0 CVVT (G4NA)	Rim 15, Rim 17	Gasolina	FWD	1999	110	150	11.14-12.19	■
2.0 MPI (G4NA)		Gasolina	FWD	1999	115	157	06.14-12.19	■
2.0 CVVL		Gasolina	FWD	1999	124	169	09.14-12.19	■
2.4		Gasolina	FWD	2359	126	171	03.17-12.19	■
2.4 (G4KE)		Gasolina	FWD	2359	131	178	12.14-12.19	■
2.4 MPI	Rim 16, Rim 17, Rim 18	Gasolina	FWD	2359	131	178	01.15-	■
2.4 (G4KJ)	Rim 15, Rim 16, Rim 17, Rim 18	Gasolina	FWD	2359	138	188	09.14-12.19	■
2.4 GDI (G4KJ)		Gasolina	FWD	2359	142	193	09.14-12.19	■
2.0 LPG (G4NA)		Gasol./Gas (LPG)	FWD	1999	111	151	06.14-06.23	■
2.0 LPG (G4NA)	01/16-, Rim 16, Rim 18	Gasol./Gas (LPG)	FWD	1999	113	154	09.14-12.19	■
2.0 Hybrid	01/16-, Rim 16, Rim 17, Rim 18	Gasol./el éc.	FWD	1999	110	150	09.14-12.19	■
2.0 Hybrid	Rim 16, Rim 17, Rim 18	Gasol./el éc.	FWD	1999	115	156	06.16-	■
2.0 Hybrid	01/16-, Rim 16, Rim 17, Rim 18	Gasol./el éc.	FWD	1999	153	208	09.14-	■
2.0 Gdi Hybrid	01/16-, Rim 16, Rim 17, Rim 18	Gasol./el éc.	FWD	1999	165	224	09.14-	■
1.7 CRDi		Diesel	FWD	1685	104	141	01.15-12.19	■
TUCSON III (TLE) 05.15-				SUV Van (Compact SUV-J Segment)				
1.6 T-GDI (G4FJ)	Rep.Checa, Rim 16, Rim 17	Gasolina	FWD	1591	130	177	06.15-12.20	■
1.6 CRDI (D4FE)	Rim 16, Rim 17	Diesel	FWD	1598	100	136	08.18-12.20	■
TUCSON III (TL, TLE) 05.15-				SUV (Compact SUV-J Segment)				
1.6 GDI (G4FD)		Gasolina	FWD	1591	96	130	06.15-09.20	■
1.6 GDI (G4FD)		Gasolina	FWD	1591	97	132	06.15-09.20	■
1.6 T-GDI (G4FJ)		Gasolina	FWD	1591	130	177	06.15-05.23	■
1.6 T-GDI A las 4 ruedas (G4FJ)		Gasolina	4WD	1591	130	177	06.15-09.20	■
1.6 T-GDI (G4FJ)		Gasolina	FWD	1591	131	178	06.15-09.20	■
2.0 CVVT (G4NA)	Rim 16	Gasolina	FWD	1999	110	150	06.15-09.20	■
2.0 CVVT A las 4 ruedas (G4NA)		Gasolina	4WD	1999	110	150	06.15-09.20	■
2.0 (G4NA)		Gasolina	FWD	1999	114	155	06.15-09.20	■
2.0		Gasolina	FWD	1999	115	156	06.15-09.20	■
2.4 GDI A las 4 ruedas (G4KJ)	Rim 16, Rim 17	Gasolina	4WD	2359	135	184	07.19-09.20	■

LISTA DE APLICACIONES - BUYERS GUIDE

1.6 CRDi hybrid 48V (D4FE)	Rim 16	Diesel/el éc.	FWD	1598	85	116	03.19-12.20	■	
1.6 CRDi hybrid 48V (D4FE)	Rim 16	Diesel/el éc.	FWD	1598	100	136	03.19-12.20	■	
1.6 CRDi hybrid 48V A las 4 ruedas (D4FE)	Rim 16	Diesel/el éc.	4WD	1598	100	136	03.19-12.20	■	
2.0 CRDi Hybrid 48V A las 4 ruedas (D4HA)		Diesel/el éc.	4WD	1995	136	185	10.18-12.20	■	
1.6 CRDI (D4FE)		Diesel	FWD	1598	85	116	08.18-09.20	■	
1.6 CRDi A las 4 ruedas (D4FE)	Rim 16	Diesel	4WD	1598	85	116	08.18-09.20	■	
1.6 CRDI (D4FE)		Diesel	FWD	1598	100	136	08.18-12.20	■	
1.6 CRDi A las 4 ruedas (D4FE)		Diesel	4WD	1598	100	136	08.18-12.20	■	
1.7 CRDi (D4FD)	Rim 16	Diesel	FWD	1685	85	116	06.15-09.20	■	
1.7 CRDi (D4FD)	Rim 16	Diesel	FWD	1685	104	141	06.15-09.20	■	
2.0 CRDi (D4HA)		Diesel	FWD	1995	100	136	06.15-09.20	■	
2.0 CRDi A las 4 ruedas (D4HA)		Diesel	4WD	1995	100	136	06.15-09.20	■	
2.0 CRDi (D4HA)		Diesel	FWD	1995	131	178	06.15-09.20	■	
2.0 CRDi A las 4 ruedas (D4HA)		Diesel	4WD	1995	131	178	06.15-09.20	■	
2.0 CRDi (D4HA)		Diesel	FWD	1995	136	185	06.15-09.20	■	
2.0 CRDi A las 4 ruedas (D4HA)		Diesel	4WD	1995	136	185	06.15-09.20	■	
2.0 CRDi A las 4 ruedas		Diesel	4WD	1995	136	185	06.15-	■	
VELOSTER II (JS, JSN) 01.18-						Coupe (Supermini car-B Segment)			
1.6 T-GDI (G4FJ)		Gasolina	FWD	1591	150	204	01.18-	■	
HYUNDAI (BEIJING)									
ENCINO (OS) 04.18-						SUV ()			
1.6 TGDI (G4FJ)	Rim 16, Rim 17	Gasolina	FWD	1591	130	177	04.18-	■	
EV (EM15)		Eléctrico	FWD		150	204	11.19-	■	
KIA									
CADENZA / K7 (VG) 01.10-						Saloon (Executive car-E Segment)			
3.5 CVVT (G6DC)		Gasolina	FWD	3470	213	290	01.10-12.15	■	
CADENZA II / K7 (YG) 01.16-						Saloon (Executive car-E Segment)			
3.3 MPI (G6DF)	Rim 16	Gasolina	FWD	3342	199	271	01.16-	■	
3.3 GDI (G6DM)	Rim 16	Gasolina	FWD	3342	209	284	01.16-	■	
CEE'D II (JD) 05.12-						Hatchback (Compact car-C Segment)			
1.6 CVVT	01/17-, Rim 17	Gasolina	FWD	1591	92	125	05.12-	■	
1.6 CVVT (G4FC)	01/17-, Rim 17	Gasolina	FWD	1591	95	130	01.13-07.18	■	
1.6 CVVT (G4FC)	01/17-, Rim 17	Gasolina	FWD	1591	96	131	11.14-07.18	■	
1.6 GDI (G4FD)	01/17-, Rim 17	Gasolina	FWD	1591	99	135	05.12-07.18	■	
1.6 GT (G4FJ)	01/17-, Rim 17	Gasolina	FWD	1591	150	204	06.13-07.18	■	
CEE'D II Combi Van (JD) 07.12-						Estate Van (Compact car-C Segment)			
1.6 GDI (G4FD)		Gasolina	FWD	1591	99	135	04.15-07.18	■	
CEE'D II Sport Wagon (JD) 09.12-						Estate (Compact car-C Segment)			
1.6 CVVT (G4FC)	01/17-, Rim 17	Gasolina	FWD	1591	95	130	11.14-07.18	■	
1.6 CVVT (G4FC)		Gasolina	FWD	1591	96	131	11.14-07.18	■	
1.6 GDI (G4FD)	01/17-, Rim 17	Gasolina	FWD	1591	99	135	09.12-07.18	■	
CEE'D III (CD) 03.18-						Hatchback (Compact car-C Segment)			
1.5 T-GDI		Gasolina	FWD	1482	118	160	01.21-	■	
1.6 T-GDI GT (G4FJ)		Gasolina	FWD	1591	150	204	10.18-	■	
1.6 CRDi 115 Eco-Dynamics+ (D4FE)	Rim 17	Diesel/el éc.	FWD	1598	85	116	12.19-	■	

LISTA DE APLICACIONES - BUYERS GUIDE

1.6 CRDi 136 Eco-Dynamics+ (D4FE)	Rim 17	Diesel/el éc.	FWD	1598	100	136	12.19-	■	
CEE'D III Sport Wagon (CD) 03.18-					Estate (Compact car-C Segment)				
1.5 T-GDI		Gasolina	FWD	1482	118	160	01.21-	■	
1.6 CRDi 115 Eco-Dynamics+ (D4FE)	Rim 17	Diesel/el éc.	FWD	1598	85	116	12.19-	■	
1.6 CRDi 136 Eco-Dynamics+ (D4FE)	Rim 17	Diesel/el éc.	FWD	1598	100	136	12.19-	■	
CEE'D III Van (CD) 03.18-					Hatchback Van (Compact car-C Segment)				
T-GDI GT (G4FJ)		Gasolina	FWD	1591	150	204	10.18-	■	
NIRO (DE) 09.16-					SUV (Mini SUV-J Segment)				
E-NIRO	discØ 305	Eléctrico	FWD		100	136	08.18-08.22	■	
E-NIRO (EM16)	discØ 305	Eléctrico	FWD		150	204	08.18-08.22	■	
OPTIMA IV / K5 (JF) 09.15-					Saloon (Executive car-E Segment)				
1.6 T-GDI (G4FJ)		Gasolina	FWD	1591	132	179	09.18-12.19	■	
1.6	Rim 16, Rim 17, Rim 18	Gasolina	FWD	1591	133	180	09.15-	■	
2.0 (G4ND)		Gasolina	FWD	1999	110	150	09.15-12.19	■	
2.0	Rim 16, Rim 17, Rim 18	Gasolina	FWD	1999	113	154	09.15-12.19	■	
2.0 CVVL (G4ND)	Rim 16, Rim 17, Rim 18	Gasolina	FWD	1999	120	163	09.15-12.19	■	
2.0 CVVL (G4ND)	Rim 16, Rim 17, Rim 18	Gasolina	FWD	1999	124	168	09.15-12.17	■	
2.4 MPi (G4KE)	Rim 16, Rim 17, Rim 18	Gasolina	FWD	2359	126	171	09.15-12.19	■	
2.4	Rim 16, Rim 17, Rim 18	Gasolina	FWD	2359	138	180	09.15-	■	
2.4 GDI (G4KJ)	Rim 16, Rim 17, Rim 18	Gasolina	FWD	2359	138	188	09.15-12.19	■	
2.0 LPI	Rim 16, Rim 17, Rim 18	Gasol./Gas (LPG)	FWD	1999	113	153	09.15-	■	
2.0 Gdi Hybrid (G4NG)	Eq.V_EV2	Gasol./el éc.	FWD	1999	115	156	09.16-	■	
2.0 Gdi Hybrid (G4NG)	Rim 16, Rim 17, Rim 18	Gasol./el éc.	FWD	1999	151	205	09.16-12.19	■	
1.6 CRDI (D4FE)		Diesel	FWD	1598	100	136	06.18-12.19	■	
1.7 CRDi (D4FD)		Diesel	FWD	1685	99	135	09.16-04.18	■	
1.7 CRDi (D4FD)	Rim 16, Rim 17, Rim 18	Diesel	FWD	1685	104	141	11.15-04.18	■	
OPTIMA IV / K5 Sport Wagon (JF) 09.16-					Estate (Executive car-E Segment)				
1.6 T-GDI (G4FJ)		Gasolina	FWD	1591	132	179	01.18-12.19	■	
2.0 CVVL	Rim 16, Rim 17, Rim 18	Gasolina	FWD	1999	120	163	09.16-12.19	■	
2.0 Gdi Hybrid (G4NG)	Eq.V_EV1, EV2	Gasol./el éc.	FWD	1999	115	156	04.17-	■	
2.0 Gdi Hybrid (G4NG)		Gasol./el éc.	FWD	1999	151	205	04.17-12.19	■	
1.6 CRDI (D4FE)		Diesel	FWD	1598	100	136	01.18-12.19	■	
1.7 CRDi (D4FD)		Diesel	FWD	1685	99	135	09.16-04.18	■	
1.7 CRDi (D4FD)	Rim 16, Rim 17, Rim 18	Diesel	FWD	1685	104	141	09.16-04.18	■	
PRO CEE'D II (JD) 03.13-					Hatchback (Compact car-C Segment)				
1.6 GT (G4FJ)		Gasolina	FWD	1591	150	204	06.13-07.18	■	
PRO CEE'D III (CD) 10.18-					Estate Van (Compact car-C Segment)				
1.6 T-GDI GT (G4FJ)		Gasolina	FWD	1591	150	204	10.18-	■	
PRO CEE'D III (CD) 10.18-					Estate (Compact car-C Segment)				
1.5 T-GDI		Gasolina	FWD	1482	118	160	01.21-	■	
1.6 T-GDI (G4FJ)		Gasolina	FWD	1591	147	200	10.18-	■	
1.6 T-GDI GT (G4FJ)		Gasolina	FWD	1591	150	204	10.18-	■	
SELTOS (SP2, SP2I) 08.19-					SUV (Compact SUV-J Segment)				
1.6 T-GDi 4WD (SP2) (G4FJ)	Rim 16	Gasolina	4WD	1591	130	177	09.19-06.22	■	

LISTA DE APLICACIONES - BUYERS GUIDE

2.0 MPi 4WD (SP2) (G4NH)		Gasolina	4WD	1999	110	150	08.19-	■	
SOUL II (PS) 02.14-					Hatchback (Mini MPV-M1 Segment)				
1.6 CVVT (G4FG)	01/17-, Rim 16, Rim 17	Gasolina	FWD	1591	91	124	02.14-12.18	■	
1.6 CVVT	01/17-, Rim 16, Rim 17	Gasolina	FWD	1591	95	129	07.16-12.18	■	
1.6 GDI (G4FD)	01/17-, Rim 16, Rim 17	Gasolina	FWD	1591	97	132	02.14-12.18	■	
1.6 TGDI	01/17-, Rim 16, Rim 17	Gasolina	FWD	1591	150	204	11.16-12.18	■	
2.0 CVVT	01/17-	Gasolina	FWD	1998	116	158	07.16-	■	
2.0 CVVT (G4NA)	01/17-	Gasolina	FWD	1999	110	150	08.16-12.18	■	
2.0 CVVT (G4NA)	01/17-, Rim 16, Rim 17	Gasolina	FWD	1999	113	154	02.14-12.18	■	
1.6 LPG (G4FG)	01/17-	Gasol./Gas (LPG)	FWD	1591	87	118	12.14-12.18	■	
1.6 CVVT Flex	01/17-	Gasol./Etanol	FWD	1591	94	128	09.14-05.20	■	
EV Electric	01/17-	Eléctrico	FWD		25	33	09.14-11.18	■	
EV Electric		Eléctrico	FWD		26	36	03.17-11.18	■	
EV Electric	01/17-	Eléctrico	FWD		81	110	09.14-11.18	■	
1.6 CRDi 128 (D4FB)	01/17-, Rim 16, Rim 17	Diesel	FWD	1582	94	126	02.14-12.18	■	
1.6 CRDi 136 (D4FB)	01/17-, Rim 16, Rim 17	Diesel	FWD	1582	100	136	04.15-12.18	■	
SPORTAGE III (SL) 09.09-					SUV (Compact SUV-J Segment)				
1.6 GDI (G4FD)		Gasolina	FWD	1591	99	135	06.10-12.15	■	
2.0 CVVT (G4KD)		Gasolina	FWD	1998	120	163	07.10-12.15	■	
2.0 CVVT AWD (G4KD)		Gasolina	4WD	1998	120	163	07.10-12.15	■	
2.0 CVVT (G4KD)		Gasolina	FWD	1998	122	166	07.10-12.15	■	
2.0 CVVT AWD (G4KD)		Gasolina	4WD	1998	122	166	07.10-12.15	■	
2.0 GDI (G4NC)		Gasolina	FWD	1998	122	166	02.14-12.15	■	
2.0 GDI AWD (G4NC)		Gasolina	4WD	1998	122	166	02.14-12.15	■	
2.0 CVVT		Gasolina	FWD	1999	113	154	11.14-12.15	■	
2.0 CVVT AWD (G4NA)		Gasolina	4WD	1999	113	154	11.14-12.15	■	
1.6 LPG (G4FD)		Gasol./Gas (LPG)	FWD	1591	99	135	01.14-12.15	■	
1.7 CRDi (D4FD)		Diesel	FWD	1685	85	116	12.10-12.15	■	
2.0 CRDi (D4HA)		Diesel	FWD	1995	100	136	07.10-12.15	■	
2.0 CRDi AWD (D4HA)		Diesel	4WD	1995	100	136	07.10-12.15	■	
2.0 CRDi (D4HA)		Diesel	FWD	1995	135	184	08.10-12.15	■	
2.0 CRDi AWD (D4HA)		Diesel	4WD	1995	135	184	08.10-12.15	■	
SPORTAGE IV (QL, QLE) 09.15-					SUV Van (Compact SUV-J Segment)				
1.6 T-GDI (G4FJ)	Rim 16, Rim 17	Gasolina	FWD	1591	130	177	05.18-	■	
1.6 CRDi Eco-Dynamics+ AWD (D4FE)	Rim 16, Rim 17	Diesel/eléc.	FWD	1598	100	136	03.19-	■	
1.6 CRDi Eco-Dynamics+ AWD (D4FE)	Rim 16, Rim 17	Diesel/eléc.	4WD	1598	100	136	03.19-	■	
SPORTAGE IV (QL, QLE) 01.15-					SUV (Compact SUV-J Segment)				
1.6 GDI (G4FD)		Gasolina	FWD	1591	97	132	09.15-09.22	■	
1.6 T-GDI (G4FJ)		Gasolina	FWD	1591	130	177	09.15-09.22	■	
1.6 T-GDI AWD (G4FJ)		Gasolina	4WD	1591	130	177	09.15-09.22	■	
2.0 AWD (G4NA)		Gasolina	4WD	1999	110	150	12.15-09.22	■	
2.0 (G4NA)		Gasolina	FWD	1999	114	155	12.15-09.22	■	
2.0 AWD (G4NA)		Gasolina	4WD	1999	114	155	12.15-09.22	■	
1.6 LPG (QLE) (G4FD)	Rim 16, Rim 17	Gasol./Gas (LPG)	FWD	1591	93	126	07.20-09.22	■	
1.6 CRDi Eco-Dynamics+ AWD (D4FE)		Diesel/eléc.	FWD	1598	85	116	03.19-09.22	■	
1.6 CRDi Eco-Dynamics+ AWD (D4FE)		Diesel/eléc.	FWD	1598	100	136	03.19-09.22	■	

LISTA DE APLICACIONES - BUYERS GUIDE

1.6 CRDi Eco-Dynamics+ AWD (D4FE)		Diesel/el éc.	4WD	1598	100	136	03.19-09.22	■	
2.0 CRDi Eco-Dynamics+ AWD (D4HA)		Diesel/el éc.	4WD	1995	136	185	06.18-09.22	■	
1.6 CRDI (D4FE)	Rim 16, Rim 17	Diesel	FWD	1598	85	116	07.18-09.22	■	
1.6 CRDI (D4FE)	Rim 16, Rim 17	Diesel	FWD	1598	100	136	07.18-09.22	■	
1.6 CRDi AWD (D4FE)	Rim 16, Rim 17	Diesel	4WD	1598	100	136	07.18-09.22	■	
1.7 CRDi (D4FD)		Diesel	FWD	1685	85	116	09.15-09.22	■	
1.7 CRDi (D4FD)		Diesel	FWD	1685	104	141	11.16-09.22	■	
2.0 CRDi (D4HA)		Diesel	FWD	1995	100	136	09.15-09.22	■	
2.0 CRDi AWD (D4HA)		Diesel	4WD	1995	100	136	09.15-09.22	■	
2.0 CRDi AWD (D4HA)	Rim 16,17, Type QLE	Diesel	4WD	1995	131	178	09.15-09.22	■	
2.0 CRDi AWD		Diesel	4WD	1995	134	182	01.16-09.22	■	
2.0 CRDi (D4HA)		Diesel	FWD	1995	136	185	09.15-09.22	■	
2.0 CRDi AWD (D4HA)		Diesel	4WD	1995	136	185	09.15-09.22	■	
SPORTAGE V (NQ5) 09.21-					SUV (Compact SUV-J Segment)				
1.6 T-GDi Hybrid		Gasol./el éc.	FWD	1598	154	209	06.24-	■	
1.6 T-GDi Hybrid AWD		Gasol./el éc.	4WD	1598	154	209	06.24-	■	
XCEED (CD) 06.19-					SUV Van (Compact SUV-J Segment)				
1.4 T-GDI (G4LD)	Rim 17	Gasolina	FWD	1353	103	140	06.19-12.20	■	
1.6 T-GDI (G4FJ)		Gasolina	FWD	1591	150	204	06.19-	■	
1.6 CRDI (D4FE)	Rim 17	Diesel	FWD	1598	100	136	06.19-	■	
XCEED (CD) 06.19-					SUV (Compact SUV-J Segment)				
1.0 T-GDI (G3LC)	Rim 17	Gasolina	FWD	998	88	120	06.19-	■	
1.4 T-GDI (G4LD)	Rim 17	Gasolina	FWD	1353	103	140	06.19-12.20	■	
1.5 T-GDI		Gasolina	FWD	1482	103	140	02.24-	■	
1.5 T-GDI	Rim 17	Gasolina	FWD	1482	118	160	01.21-	■	
1.6 T-GDI (G4FJ)		Gasolina	FWD	1591	147	200	09.19-	■	
1.6 T-GDI (G4FJ)		Gasolina	FWD	1591	150	204	06.19-	■	
1.0 T-GDI MHEV	Rim 17	Gasol./el éc.	FWD	998	88	120	08.21-	■	
1.5 T-GDi MHEV		Gasol./el éc.	FWD	1482	103	140	02.24-	■	
1.5 T-GDi MHEV		Gasol./el éc.	FWD	1482	118	160	01.21-	■	
1.6 CRDi 115 Eco-Dynamics+ (D4FE)	Rim 17	Diesel/el éc.	FWD	1598	85	116	12.19-	■	
1.6 CRDi 136 Eco-Dynamics+ (D4FE)	Rim 17	Diesel/el éc.	FWD	1598	100	136	12.19-	■	
1.6 CRDi 115 (D4FE)	Rim 17	Diesel	FWD	1598	85	116	06.19-	■	
1.6 CRDi 136 (D4FE)	Rim 17	Diesel	FWD	1598	100	136	06.19-	■	