

LISTA DE APLICACIONES - BUYERS GUIDE

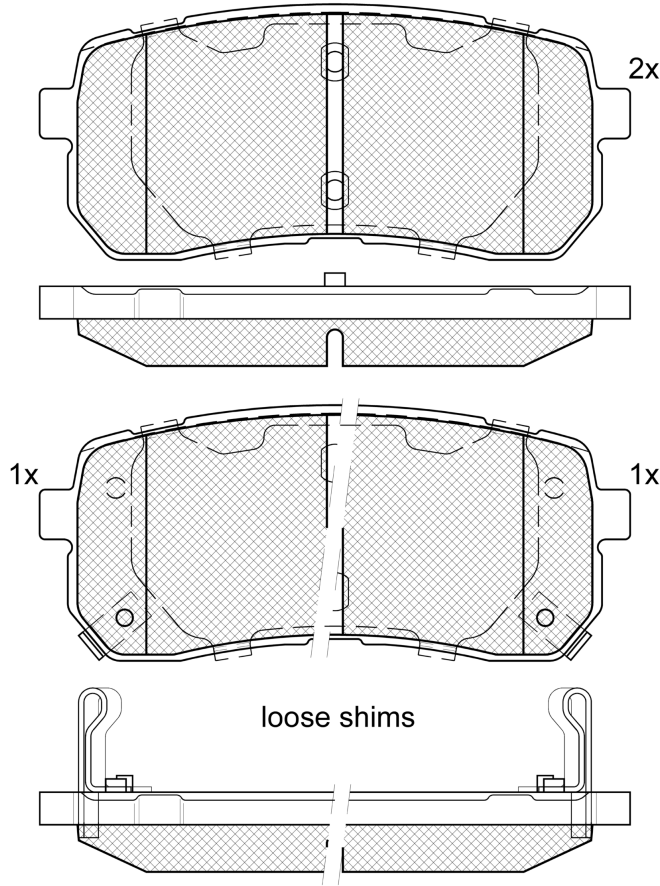
181839



Qty: 300

Weight: 1.130

O.E.M.	MAKE
58302-2JA50	HYUNDAI
58302-3JA00	HYUNDAI
58302-3JA50	HYUNDAI
58302-3JA51	HYUNDAI
58302-4DA00	KIA
58302-4DE00	KIA
58302-4HA00	HYUNDAI
58302-4HA50	HYUNDAI
58302-C5A70	HYUNDAI
58303-C5A70	KIA
S58302-3JA50	HYUNDAI
S58302-4HA50	HYUNDAI
S58302-C5A70	KIA



181839

E 9 90R-01111/2495



Mando

110.55x47.7x15.5

WVA	FMSI
22847	D1302-8418
22848	D1963-9188
22849	
24599	
24600	

MAKE
DODGE
HAVAL
HYUNDAI
JAC
KIA
KIA (DYK)



Trac.	CC	Kw	CV
-------	----	----	----



Front / Rear

DODGE

H100 II 10.09-

							Bus (Minibus-M2-Segment)		
2.4	Gasolina	FWD	2359	128	174	01.12-	■		
2.5 D	Diesel	RWD	2476	74	100	01.12-	■		

H100 II 01.07-

							Van (LCVs-N1 Segment)		
2.4	Gasolina	FWD	2359	128	174	01.12-	■		
2.5 D	Diesel	RWD	2476	74	100	01.12-	■		

HAVAL

H8 11.13-

							SUV ()		
2.0 (GW4C20)	Gasolina	RWD	1967	160	218	11.13-	■		
2.0 AWD (GW4C20)	Gasolina	4WD	1967	160	218	11.13-	■		

HYUNDAI

H-1 II / GRAND STAREX / i800 / iMax / MONTANA (TQ) 09.07-

							Bus (Minibus-M2-Segment)		
2.4 (G4CS)	Gasolina	RWD	2351	101	137	02.08-	■		
2.4 i (G4KC)	Gasolina	RWD	2359	126	171	02.08-	■		
2.4 i (G4KC)	Gasolina	RWD	2359	129	175	02.08-	■		
2.4 i (G4KG)	Gasolina	RWD	2359	129	175	02.08-	■		
2.4 LPG	Gasol./Gas (LPG)	RWD	2359	117	159	07.12-	■		
2.5 TDCi (D4BH)	Diesel	RWD	2476	74	101	09.07-	■		
2.5 CRDi (D4CB)	Diesel	RWD	2497	74	101	03.08-	■		
2.5 CRDi (D4CB)	Diesel	RWD	2497	81	110	07.10-	■		
2.5 CRDi (D4CB)	vehicles with ABS	Diesel	2497	85	116	08.11-	■		
2.5 CRDi (D4CB)		Diesel	2497	94	128	02.08-	■		

LISTA DE APLICACIONES - BUYERS GUIDE

2.5 CRDi (D4CB)		Diesel	RWD	2497	100	136	07.08-	■	
2.5 CRDi		Diesel	RWD	2497	103	140	02.08-	■	
2.5 CRDi (D4CB)	vehicles with ABS	Diesel	RWD	2497	120	163	05.08-	■	
2.5 CRDi (D4CB)	vehicles with ABS	Diesel	RWD	2497	125	170	05.08-	■	
2.5 CRDi		Diesel	RWD	2497	129	175	01.15-	■	
H-1 II / H-300 / iload (TQ) 09.07-					Van (LCVs-N1 Segment)				
2.4 i (G4KC)		Gasolina	RWD	2359	126	171	02.08-	■	
2.4 (G4KC)		Gasolina	RWD	2359	129	175	03.08-	■	
2.4 (G4KG)		Gasolina	RWD	2359	129	175	03.08-	■	
2.4		Gasolina	RWD	2359	132	180	08.15-	■	
2.5 TDCi (D4BH)		Diesel	RWD	2476	74	101	09.07-	■	
2.5 CRDi (D4CB)	01/10-, vehicles with ABS	Diesel	RWD	2497	81	110	02.08-	■	
2.5 CRDi (D4CB)	vehicles with ABS	Diesel	RWD	2497	85	116	01.09-	■	
2.5 CRDi		Diesel	RWD	2497	85	116	12.08-	■	
2.5 CRDi (D4CB)		Diesel	RWD	2497	94	128	01.09-	■	
2.5 CRDi (D4CB)		Diesel	RWD	2497	100	136	08.09-	■	
2.5 CRDi (D4CB)		Diesel	RWD	2497	120	163	02.08-	■	
2.5 CRDi (D4CB)	vehicles with ABS	Diesel	RWD	2497	125	170	02.08-	■	
ix55 / VERACRUZ 09.06-					SUV (Compact SUV-J Segment)				
3.8 V6 4WD (G6DA)		Gasolina	4WD	3778	191	260	01.07-11.12	■	
3.8 V6 (G6DA)		Gasolina	FWD	3778	194	264	01.11-11.12	■	
3.8 V6 4WD (G6DA)		Gasolina	4WD	3778	194	264	01.11-11.12	■	
3.8 V6 4WD (G6DA)		Gasolina	4WD	3778	199	271	01.08-11.12	■	
3.0 V6 CRDi		Diesel	FWD	2959	176	239	01.08-11.12	■	
3.0 V6 CRDi 4WD (D6EA)		Diesel	4WD	2959	176	239	09.08-12.11	■	
3.0 V6 CRDi 4WD		Diesel	4WD	2959	180	245	11.08-11.12	■	
3.0 V6 CRDi 4WD (D6EA)		Diesel	4WD	2959	184	250	09.11-12.12	■	
3.0 V6 CRDi		Diesel	FWD	2959	187	254	03.12-11.12	■	
3.0 V6 CRDi 4WD		Diesel	4WD	2959	187	254	03.12-11.12	■	
3.0 V6 CRDi (D6EA)		Diesel	FWD	2959	188	256	03.12-11.12	■	
3.0 V6 CRDi 4WD		Diesel	4WD	2959	188	256	03.12-11.12	■	
JAC									
REFINE M4 10.16-					MPV (Compact MPV-M1 Segment)				
2.0		Gasolina	RWD	1962	106	144	07.19-	■	
2.0 (HFC4GA3.3D)		Gasolina	RWD	1997	108	147	10.16-	■	
2.0 T (HFC4GA3-4D)		Gasolina	RWD	1997	140	190	10.16-	■	
1.5 Hyboost (HFC4GC1.6D)		Gasol./el éc.	RWD	1499	128	174	11.17-	■	
1.9 CTI (HFC4DB1.2D)		Diesel	RWD	1947	102	139	01.17-	■	
REFINE M5 II / T8 04.11-01.15					Bus (Minibus-M2-Segment)				
2.0 (HFC4G43-4D)		Gasolina	RWD	1997	140	190	12.17-	■	
KIA									
CARNIVAL I / SEDONA / NAZA RIA (GQ) 01.99-09.07					MPV (Large MPV-M1 Segment)				
2.5 V6 (K5)		Gasolina	FWD	2497	110	150	10.01-06.06	■	
2.5 V6		Gasolina	FWD	2497	132	180	10.01-06.06	■	
2.7		Gasolina	FWD	2656	124	169	07.04-10.06	■	
3.5 (G6CU)		Gasolina	FWD	3497	143	194	07.02-04.06	■	
2.9 TDi (HJ3)		Diesel	FWD	2902	93	126	08.99-09.07	■	
2.9 CRDi (J3(CRDI))		Diesel	FWD	2902	106	144	10.01-06.06	■	

LISTA DE APLICACIONES - BUYERS GUIDE

CARNIVAL II / GRAND CARNIVAL / SEDONA / VQ (VQ) 09.05-					MPV (Large MPV-M1 Segment)			
2.7 V6 (G6EA)		Gasolina	FWD	2656	139	189	06.06-06.15	■
3.5 CVVT (G6DC)		Gasolina	FWD	3470	191	260	12.12-06.15	■
3.5 CVVT		Gasolina	FWD	3470	202	275	06.10-06.15	■
3.5 EX CVVT		Gasolina	FWD	3470	203	276	06.11-	■
3.8 (G6DA)		Gasolina	FWD	3778	178	242	07.06-06.15	■
3.8		Gasolina	FWD	3778	182	246	01.10-	■
3.8		Gasolina	FWD	3778	184	250	01.06-12.10	■
3.8 (G6DA)		Gasolina	FWD	3778	187	254	09.06-12.10	■
3.8 (G6DA)		Gasolina	FWD	3778	192	261	10.07-12.10	■
3.8	01/07-	Gasolina	FWD	3778	195	265	09.05-06.15	■
3.8		Gasolina	FWD	3778	202	275	06.10-	■
2.7 V6 LPG (G6EA)		Gasol./Gas (LPG)	FWD	2656	118	160	09.06-06.15	■
3.5 LPG (G6DC)		Gasol./Gas (LPG)	FWD	3470	203	276	06.11-	■
2.2 CRDi (D4HB)		Diesel	FWD	2199	110	150	01.10-06.15	■
2.2 CRDi (D4HB)		Diesel	FWD	2199	141	192	01.10-06.15	■
2.2 CRDi (D4HB)		Diesel	FWD	2199	143	194	01.10-06.15	■
2.2 CRDi		Diesel	RWD	2199	145	197	01.10-06.15	■
2.9 CRDi		Diesel	FWD	2902	118	160	09.05-06.15	■
2.9 CRDi (J3(CRDI))		Diesel	FWD	2902	125	170	04.06-12.13	■
2.9 CRDi (J3(CRDI))		Diesel	FWD	2902	136	185	04.06-06.15	■
2.9 CRDi LX (J3(CRDI))		Diesel	FWD	2902	141	192	09.06-06.15	■
SEDONA III / CARNIVAL III (YP) 09.14-					MPV (Large MPV-M1 Segment)			
3.3 (G6DF)		Gasolina	FWD	3342	196	266	01.15-	■
3.3 (G6DF)		Gasolina	FWD	3342	199	271	01.15-	■
3.3 GDI (G6DH)		Gasolina	FWD	3342	203	276	09.14-	■
3.3 GDI (G6DH)		Gasolina	FWD	3342	206	280	09.14-	■
2.2 CRDi		Diesel	RWD	2199	140	190	07.15-	■
2.2 CRDi		Diesel	FWD	2199	145	197	07.15-	■
2.2 TD (D4HB)		Diesel	FWD	2199	147	200	07.15-	■
2.2 CRDi		Diesel	FWD	2199	149	203	07.15-	■
SORENTO III (UM) 01.15-					SUV (Compact SUV-J Segment)			
2.0 GDI 4WD	Eq.V_ Latinamerica	Gasolina	4WD	1997	136	185	07.15-	■
2.0 GDI (G4KH)	sports package	Gasolina	FWD	1998	177	241	01.15-12.18	■
2.0 GDI 4WD (G4KH)	sports package	Gasolina	4WD	1998	177	241	01.15-	■
2.0 GDI (G4KH)	sports package	Gasolina	FWD	1998	179	243	07.17-	■
2.0 GDI 4WD (G4KH)	sports package	Gasolina	4WD	1998	179	243	01.16-	■
2.4 (G4KE)	Eq.V_ Latinamerica, sports package	Gasolina	FWD	2359	126	172	01.15-02.20	■
2.4 4WD (G4KE)	sports package	Gasolina	4WD	2359	126	172	01.15-10.20	■
2.4 (G4KE)	Eq.V_ Latinamerica, sports package	Gasolina	FWD	2359	128	174	01.15-12.20	■
2.4 (G4KE)	Eq.V_ Latinamerica, sports package	Gasolina	FWD	2359	129	175	01.15-12.20	■
2.4 4WD (G4KE)	sports package	Gasolina	4WD	2359	129	175	01.15-12.20	■
2.4 GDI (G4KJ)	Eq.V_ Latinamerica, sports package	Gasolina	FWD	2359	138	188	01.15-10.18	■
2.4 GDI 4WD (G4KJ)	sports package	Gasolina	4WD	2359	138	188	01.15-10.18	■
2.4 GDI 4WD (G4KJ)	sports package	Gasolina	4WD	2359	140	190	07.17-	■
3.3 CVVT 4WD (G6DF)		Gasolina	4WD	3342	184	250	04.15-12.20	■
3.3 (G6DF)	sports package	Gasolina	FWD	3342	196	266	01.15-12.20	■

LISTA DE APLICACIONES - BUYERS GUIDE

3.3 4WD	Eq.V_ Latinamerica, sports package	Gasolina	4WD	3342	196	266	01.15-12.20	■	
3.3	sports package	Gasolina	FWD	3342	199	271	04.15-12.18	■	
3.3 4WD	Eq.V_ Latinamerica, sports package	Gasolina	4WD	3342	199	271	04.15-12.18	■	
3.3 (G6DH)	sports package	Gasolina	FWD	3342	313	290	09.16-	■	
3.3 4WD (G6DH)	sports package	Gasolina	4WD	3342	313	290	09.16-	■	
3.5 D-CVVT (G6DC)	sports package	Gasolina	FWD	3470	183	249	12.18-12.20	■	
3.5 D-CVVT 4WD (G6DC)	sports package	Gasolina	4WD	3470	183	249	12.18-12.20	■	
3.5 D-CVVT (G6DC)	sports package	Gasolina	FWD	3470	203	276	07.17-12.20	■	
3.5 D-CVVT 4WD (G6DC)	sports package	Gasolina	4WD	3470	203	276	07.17-12.20	■	
3.5 D-CVVT (G6DC)	Eq.V_ Latinamerica, sports package	Gasolina	FWD	3470	206	280	07.17-12.20	■	
3.5 D-CVVT 4WD (G6DC)	sports package	Gasolina	4WD	3470	206	280	07.17-	■	
2.0 CRDi (D4HA)		Diesel	FWD	1995	136	185	12.17-12.20	■	
2.0 CRDi 4WD (D4HA)	sports package	Diesel	4WD	1995	136	185	07.15-12.20	■	
2.0 CRDi	Eq.V_ Latinamerica, sports package	Diesel	FWD	1995	137	186	07.15-12.20	■	
2.0 CRDi 4WD	Eq.V_ Latinamerica, sports package	Diesel	4WD	1995	137	186	07.15-12.20	■	
2.2 CRDi 4WD (D4HB)	Eq.V_ Latinamerica, sports package	Diesel	4WD	2199	142	193	11.16-12.20	■	
2.2 CRDi	Eq.V_ Latinamerica, sports package	Diesel	FWD	2199	143	194	01.15-12.20	■	
2.2 CRDi 4WD (D4HB)	sports package	Diesel	4WD	2199	145	197	11.16-12.20	■	
2.2 CRDi (D4HB)	sports package	Diesel	FWD	2199	147	200	01.15-08.20	■	
2.2 CRDi 4WD (D4HB)	sports package	Diesel	4WD	2199	147	200	01.15-08.20	■	
2.2 CRDi (D4HB)	sports package	Diesel	FWD	2199	149	202	01.15-	■	
2.2 CRDi 4WD (D4HB)	Eq.V_ Latinamerica, Syst. STANDARD, sports package	Diesel	4WD	2199	149	202	01.15-12.20	■	
KIA (DYK)									
CARNIVAL 01.04-12.10						MPV (Large MPV-M1 Segment)			
2.7		Gasolina	FWD	2656	124	169	04.06-	■	
3.5		Gasolina	FWD	3497	140	190	01.04-	■	