

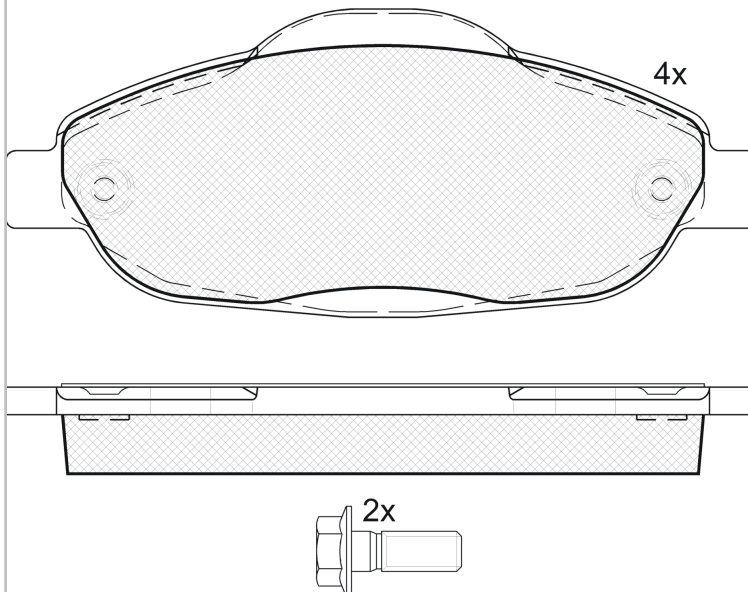
# LISTA DE APLICACIONES - BUYERS GUIDE

## 181851



Qty: 300      Weight: 1.895

O.E.M.	MAKE
16 092 530 80	PEUGEOT
16 132 593 80	PEUGEOT
16 172 700 80	PEUGEOT
16 350 581 80	PEUGEOT
16 478 627 80	PEUGEOT
4253.93	PEUGEOT
4254.26	PEUGEOT
86 60 004 799	RENAULT
86 71 019 129	RENAULT



1-Ref. 690059

## 181851

E 9 90R-01111/2338



Bosch

151x61.7x18

WVA	FMSI
24660	D1696-8922
MAKE	
PEUGEOT	



Trac.	CC	Kw	CV
-------	----	----	----



Front / Rear

### PEUGEOT

<b>3008 (0U_) 05.09-12.17</b>								<b>Box Body/MPV (Compact MPV-M1 Segment)</b>	
Hdi 110 (0U9HZ8, 0U9HZT)		Diesel	FWD	1560	80	109	06.09-08.16		■
<b>3008 (0U_) 05.09-12.17</b>								<b>MPV (Compact MPV-M1 Segment)</b>	
1.2 (HNY (EB2DTS))		Gasolina	FWD	1199	96	131	01.15-08.16		■
1.6 VTi (5FS (EP6C))		Gasolina	FWD	1598	88	120	06.09-08.16		■
1.6 VTi (5FW (EP6))		Gasolina	FWD	1598	88	120	06.09-08.16		■
1.6 VTi (EP6)		Gasolina	FWD	1598	88	120	06.09-08.16		■
1.6 HDi (9HZ (DV6TED4))		Diesel	FWD	1560	80	109	06.09-08.16		■
1.6 HDi (9HR (DV6C))		Diesel	FWD	1560	82	112	12.09-08.16		■
1.6 HDi (9HD (DV6CTED))		Diesel	FWD	1560	84	114	03.13-08.16		■
1.6 HDi 115 / BlueHDi 115 (9HC (DV6C))		Diesel	FWD	1560	85	116	02.13-08.16		■
1.6 HDi 115 / BlueHDi 115 (BHX (DV6FC))		Diesel	FWD	1560	85	116	02.13-08.16		■
1.6 BlueHDi 120 (BHZ (DV6FC))		Diesel	FWD	1560	88	120	05.14-08.16		■
<b>308 (4A_, 4C_) 09.07-</b>								<b>Hatchback (Compact car-C Segment)</b>	
1.4 16V (8FS (EP3))		Gasolina	FWD	1397	70	95	09.07-10.14		■
1.4 16V (EP3)		Gasolina	FWD	1397	70	95	09.07-10.14		■
1.4 16V (8FR (EP3))		Gasolina	FWD	1397	72	98	12.09-10.14		■
1.6 16V (5FW (EP6))		Gasolina	FWD	1598	88	120	09.07-10.14		■
1.6 16V (EP6)		Gasolina	FWD	1598	88	120	09.07-10.14		■
1.6 16V (5FT (EP6DT))		Gasolina	FWD	1598	103	140	09.07-10.14		■
1.6 16V (5FX (EP6DT))		Gasolina	FWD	1598	110	150	09.07-10.14		■
1.6 BioFlex (NFU (TU5JP4))		Gasol./Et anol	FWD	1587	80	109	04.08-10.14		■

# LISTA DE APLICACIONES - BUYERS GUIDE

2.0 Bioflex (RFJ (EW10A))		Gasol./Etanol	FWD	1997	103	140	01.08-12.12	■	
1.6 HDi (9HV (DV6TED4B))	discØ 283	Diesel	FWD	1560	66	90	09.07-10.14	■	
1.6 HDi (9HV (DV6TED4BU))	discØ 283	Diesel	FWD	1560	66	90	09.07-10.14	■	
1.6 HDi (9HX (DV6ATED4))	discØ 283	Diesel	FWD	1560	66	90	09.07-10.14	■	
1.6 HDi (9HJ (DV6DTEDM))		Diesel	FWD	1560	68	92	11.09-10.14	■	
1.6 HDi (9HP (DV6DTEDE))		Diesel	FWD	1560	68	92	11.09-10.14	■	
1.6 HDi (9HZ (DV6TED4))		Diesel	FWD	1560	80	109	09.07-10.14	■	
1.6 HDi (9HR (DV6C))		Diesel	FWD	1560	82	112	12.09-10.14	■	
1.6 HDi (9HD (DV6C))		Diesel	FWD	1560	84	114	03.13-10.14	■	
1.6 HDi (9HG (DV6C M))		Diesel	FWD	1560	84	114	03.13-10.14	■	
2.0 HDi (RHR (DW10BTED4))	10/08-, Org.- 11678-	Diesel	FWD	1997	100	136	09.07-10.14	■	
2.0 HDi (RHR (DW10CB))	10/08-, Org.- 11678-	Diesel	FWD	1997	100	136	09.07-10.14	■	
2.0 HDi (RHR (DW10BTED4))		Diesel	FWD	1997	103	140	07.10-12.12	■	
<b>308 SW (4E_, 4H_) 09.07-</b>							<b>Estate (Compact car-C Segment)</b>		
1.4 16V (8FS (EP3))		Gasolina	FWD	1397	70	95	09.07-10.14	■	
1.4 16V (8FR (EP3))		Gasolina	FWD	1397	72	98	12.09-10.14	■	
1.6 16V (5FW (EP6))		Gasolina	FWD	1598	88	120	09.07-10.14	■	
1.6 16V (EP6)		Gasolina	FWD	1598	88	120	09.07-10.14	■	
1.6 16V (5FT (EP6DT))		Gasolina	FWD	1598	103	140	09.07-10.14	■	
2.0		Gasolina	FWD	1997	103	140	01.08-12.11	■	
1.6 BioFlex (NFU (TU5JP4))		Gasol./Etanol	FWD	1587	82	112	03.09-10.14	■	
2.0 Bioflex (RFJ (EW10A))		Gasol./Etanol	FWD	1997	103	140	01.08-12.11	■	
1.6 HDi (9HV (DV6TED4BU))	discØ 283	Diesel	FWD	1560	66	90	09.07-10.14	■	
1.6 HDi (9HX (DV6ATED4))	discØ 283	Diesel	FWD	1560	66	90	09.07-10.14	■	
1.6 HDi (9HP (DV6DTEDE))		Diesel	FWD	1560	68	92	11.09-10.14	■	
1.6 HDi (9HZ (DV6TED4))		Diesel	FWD	1560	80	109	09.07-10.14	■	
1.6 HDi (9HR (DV6C))		Diesel	FWD	1560	82	112	12.09-10.14	■	
1.6 HDi (9HD (DV6C))		Diesel	FWD	1560	84	114	03.13-10.14	■	
<b>308 CC (4B_) 02.09-</b>							<b>Convertible (Compact car-C Segment)</b>		
1.6 16V (EP6)		Gasolina	FWD	1598	88	120	06.09-12.14	■	
1.6 HDi (9HR (DV6C))		Diesel	FWD	1560	82	112	06.09-12.14	■	
1.6 HDi (9HZ (DV6TED4))		Diesel	FWD	1560	82	111	02.09-05.12	■	
1.6 HDi (9HD (DV6C))		Diesel	FWD	1560	84	114	03.13-12.14	■	
<b>308 SW (4E_) 01.08-12.12</b>							<b>Estate Van (Compact car-C Segment)</b>		
1.6 HDi (9HX (DV6ATED4))		Diesel	FWD	1560	66	90	01.08-12.11	■	
1.6 HDi (9HZ (DV6TED4))		Diesel	FWD	1560	80	109	01.08-12.12	■	
<b>408 02.10-</b>							<b>Saloon (Compact car-C Segment)</b>		
1.6 (EC5F)		Gasolina	FWD	1587	85	116	01.12-	■	
1.6 16V		Gasolina	FWD	1598	80	109	02.10-	■	
1.6 THP160		Gasolina	FWD	1598	120	163	01.11-	■	
1.6		Gasolina	FWD	1598	121	165	02.12-12.16	■	
1.6 Turbo		Gasolina	FWD	1598	122	166	02.10-	■	
1.6 Flex		Gasolina	FWD	1598	127	173	02.12-	■	
2.0 Flex		Gasolina	FWD	1997	105	143	03.11-	■	
2.0 16V		Gasolina	FWD	1997	108	147	02.10-	■	
2.0 Flex		Gasol./Etanol	FWD	1997	111	151	03.11-12.16	■	
1.6 HDi (9HL (DV6C))		Diesel	FWD	1560	85	116	11.10-	■	

# LISTA DE APLICACIONES - BUYERS GUIDE

<b>5008 (0U_, 0E_) 06.09-</b>					<b>MPV (Compact MPV-M1 Segment)</b>			
1.6 16V (5FS (EP6C))	Gasolina	FWD	1598	88	120	09.09-03.17	■	
1.6 16V (5FW (EP6))	Gasolina	FWD	1598	88	120	09.09-03.17	■	
1.6 16V (EP6)	Gasolina	FWD	1598	88	120	09.09-03.17	■	
1.6 HDi (9HZ (DV6TED4))	Diesel	FWD	1560	80	110	09.09-03.17	■	